



US00D906729S

(12) **United States Design Patent** (10) **Patent No.:** **US D906,729 S**
Willard et al. (45) **Date of Patent:** **** Jan. 5, 2021**

- (54) **SEAT BELT PROTECTOR PILLOW**
- (71) Applicant: **JWill Pink Village, Inc.**, Superior, CO (US)
- (72) Inventors: **Jennifer E. Willard**, Superior, CO (US); **Sandra E. Triplette**, Holyoke, CO (US)
- (73) Assignee: **JWill Pink Village Inc.**, Superior, CO (US)
- (**) Term: **15 Years**
- (21) Appl. No.: **29/713,331**
- (22) Filed: **Nov. 15, 2019**
- (51) **LOC (13) Cl.** **06-09**
- (52) **U.S. Cl.**
USPC **D6/597**
- (58) **Field of Classification Search**
USPC D6/333, 349, 355, 375, 388, 512, 563, D6/564, 595, 596, 601, 604, 611, 707, D6/715, 716, 716.1; D24/183–185, 234; D21/803, 804, 805, 809, 627
CPC A47G 9/10; A47G 9/1009; A47G 9/1018; A47G 9/1027; A47G 9/1036; A47G 9/1045; A47G 9/1063; A47G 9/1072; A47G 9/1081; A47G 9/109; A47C 7/021; A47C 27/00
- See application file for complete search history.

- (56) **References Cited**
- U.S. PATENT DOCUMENTS
- | | | | | | |
|------------|---|---------|-----------|-------|--------|
| D400,041 S | * | 10/1998 | Selner | | D6/597 |
| D516,854 S | * | 3/2006 | Emoff | | D6/599 |
| D529,746 S | * | 10/2006 | Soleymani | | D6/601 |
- (Continued)

Primary Examiner — Jennifer L Rempfer

(74) *Attorney, Agent, or Firm* — Patricia C. Brzostowicz; Superior Patent Group

(57) **CLAIM**

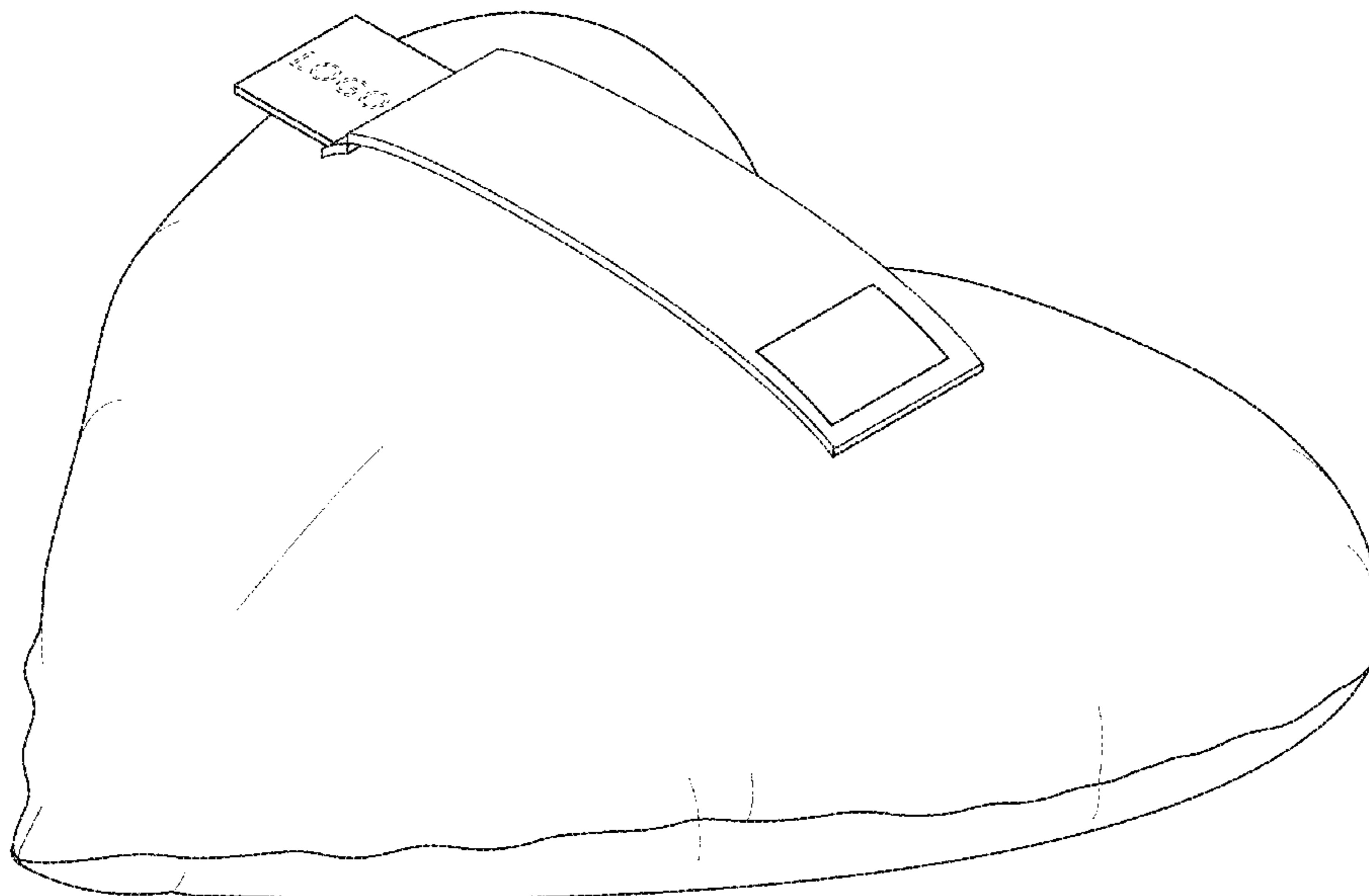
The ornamental design for a seat belt protector pillow, as shown and described.

DESCRIPTION

FIG. 1 is a top perspective view of the seat belt protector pillow with strap closed;
 FIG. 2 is a top plan view with closed strap of the invention;
 FIG. 3 is a bottom plan view with closed strap of the invention;
 FIG. 4 is a rear elevation view with closed strap of the invention;
 FIG. 5 is a front elevation view with closed strap of the invention;
 FIG. 6 is a right elevation view with closed strap of the invention;
 FIG. 7 is a left elevation view with closed strap of the invention;
 FIG. 8 is a top perspective view of the seat belt protector pillow with strap open;
 FIG. 9 is a top plan view with open strap of the invention;
 FIG. 10 is a bottom plan view with open strap of the invention;
 FIG. 11 is a rear elevation view with open strap of the invention;
 FIG. 12 is a front elevation view with open strap of the invention;
 FIG. 13 is a right elevation view with open strap of the invention; and,
 FIG. 14 is a left elevation view with open strap of the invention.

The dashed “LOGO” text indicates various features that form no part of the claim. Short lines show wrinkles in fabric as result of stuffing of pillow the forms part of the claim. Long lines in perspective, rear, front, left, and right views show a material seam that forms part of the claimed design.

1 Claim, 12 Drawing Sheets



(56)

References Cited

U.S. PATENT DOCUMENTS

D541,696 S *	5/2007	Chan	D11/157
D702,059 S *	4/2014	Farace	D6/601
D790,251 S *	6/2017	Stokes	D6/597
D851,259 S *	6/2019	Mitchell	D24/183
D899,136 S *	10/2020	Knowles	D6/597
2009/0307846 A1 *	12/2009	Eura	A47G 9/10 5/636

* cited by examiner

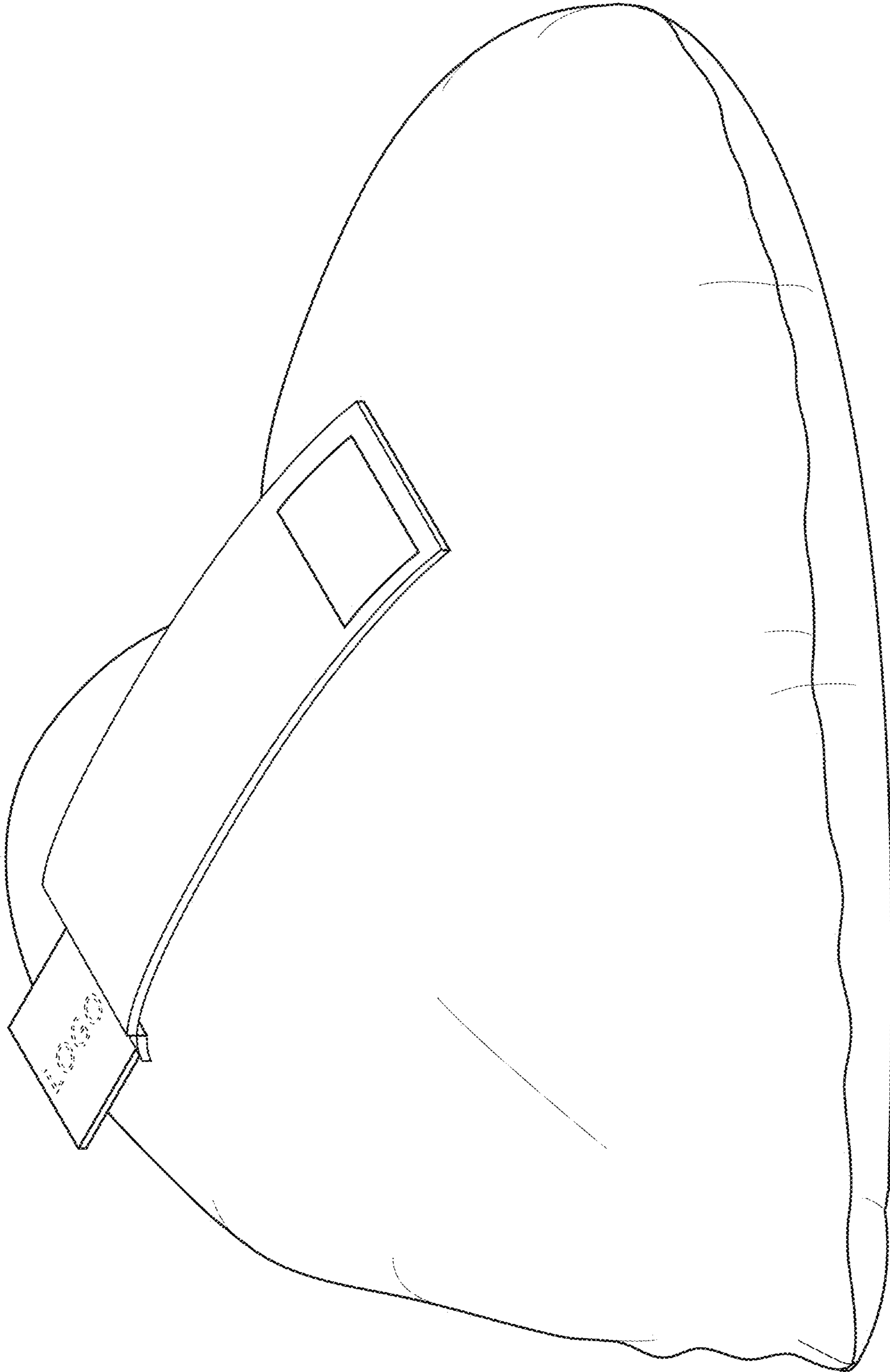


Fig. 1

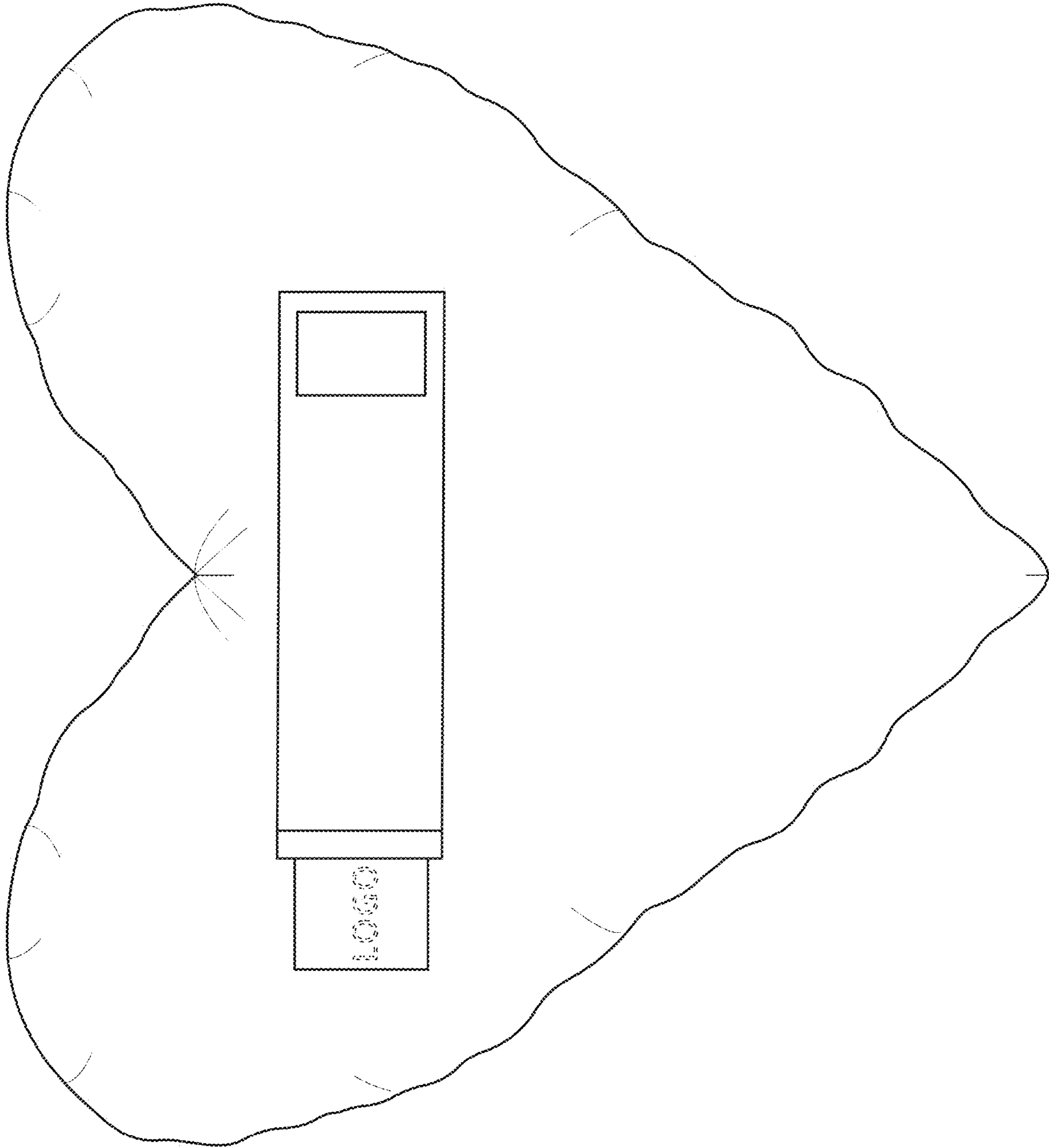


Fig. 2

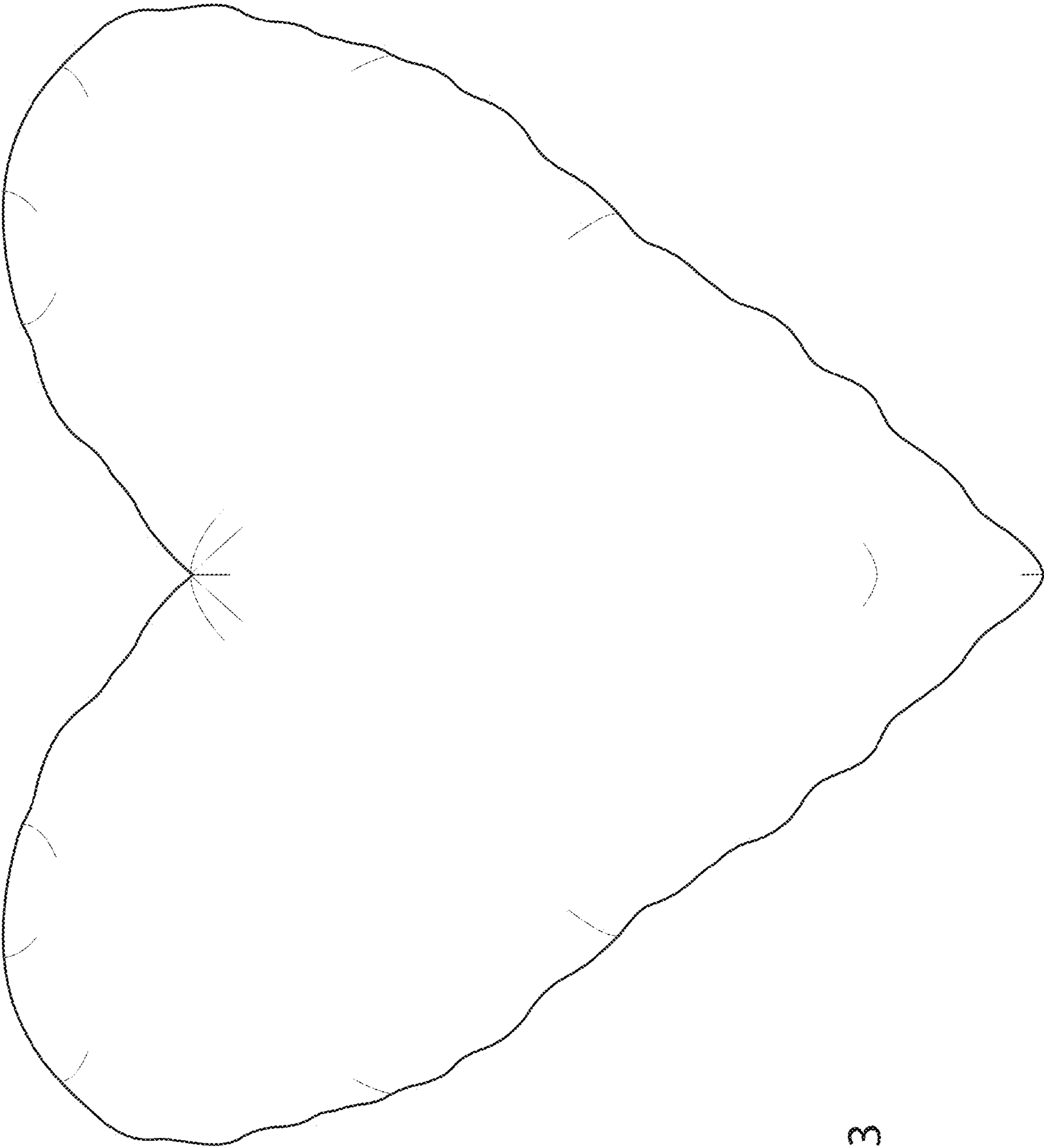


Fig. 3

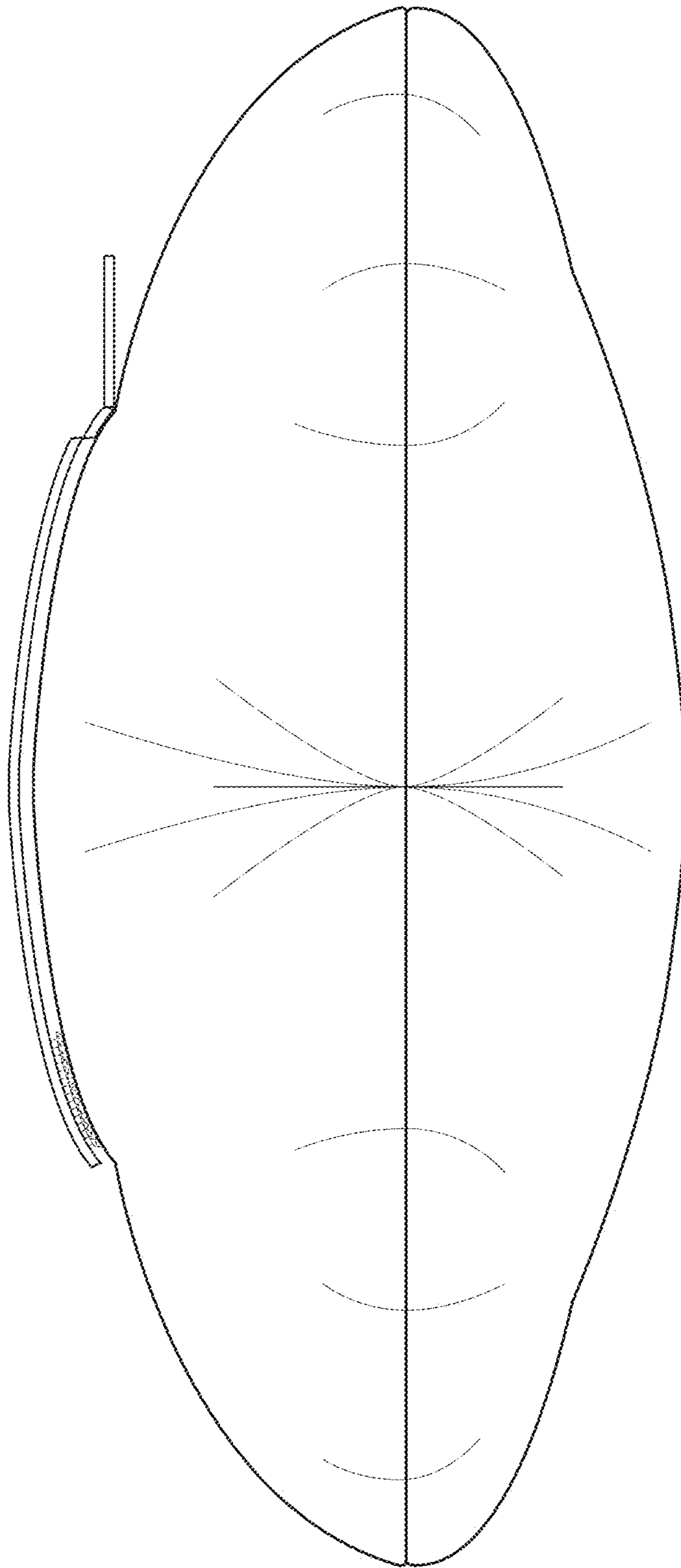


Fig. 4

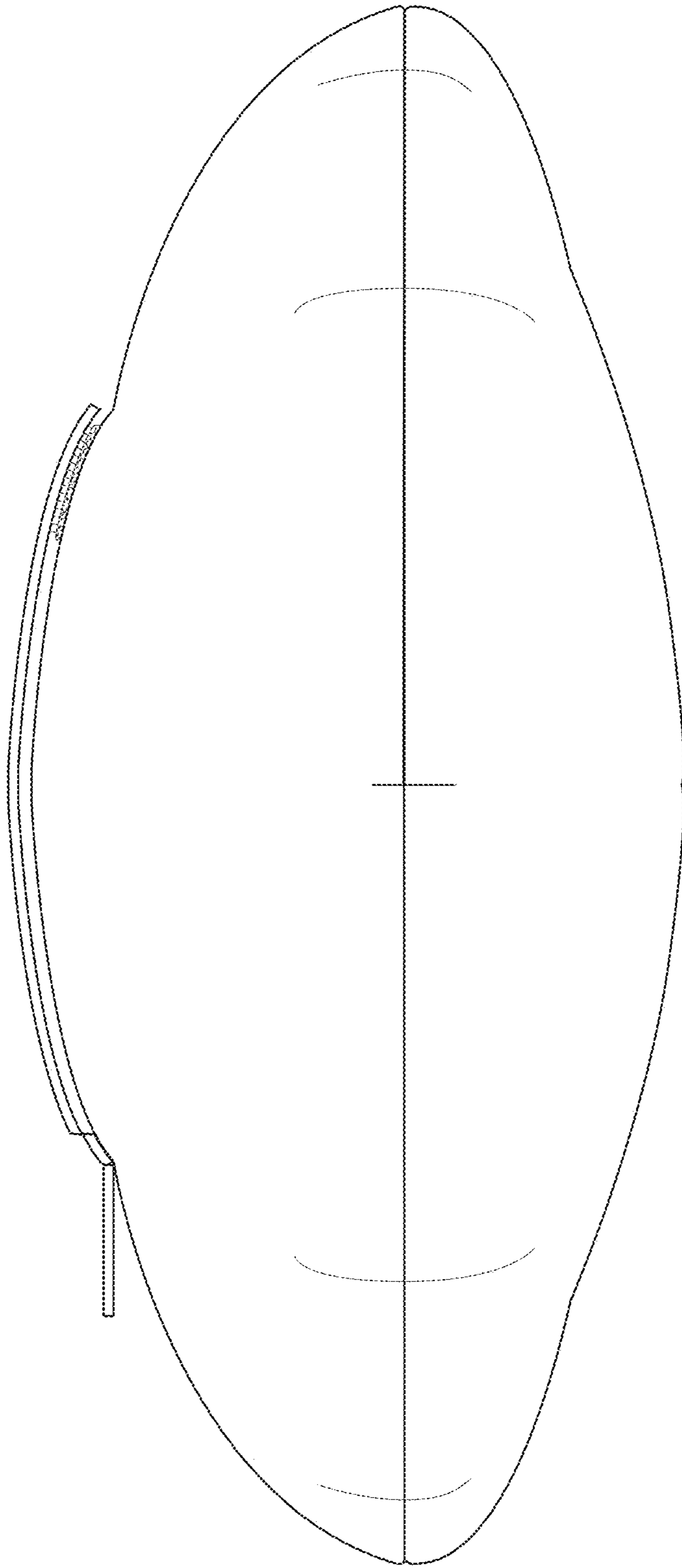


Fig. 5

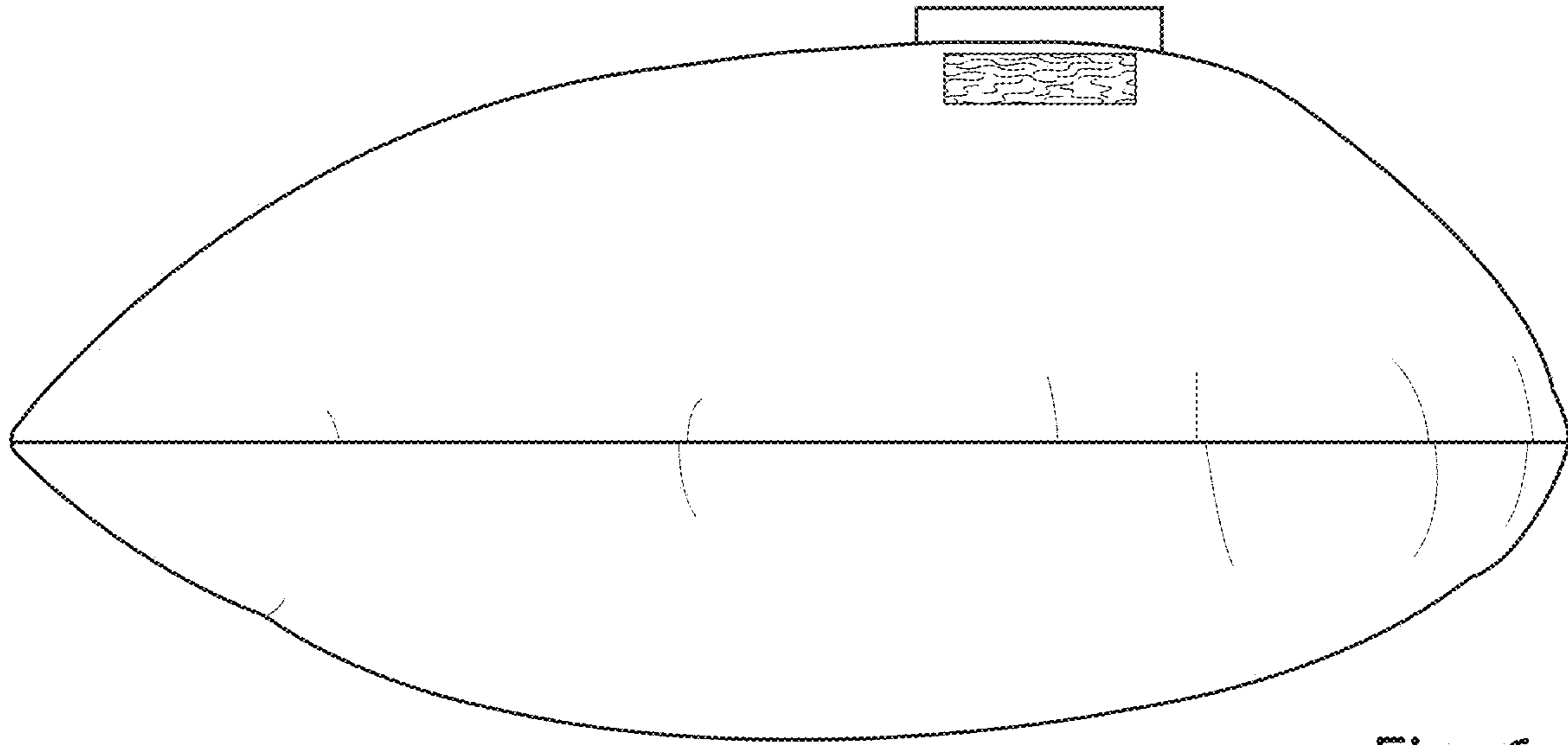


Fig. 6

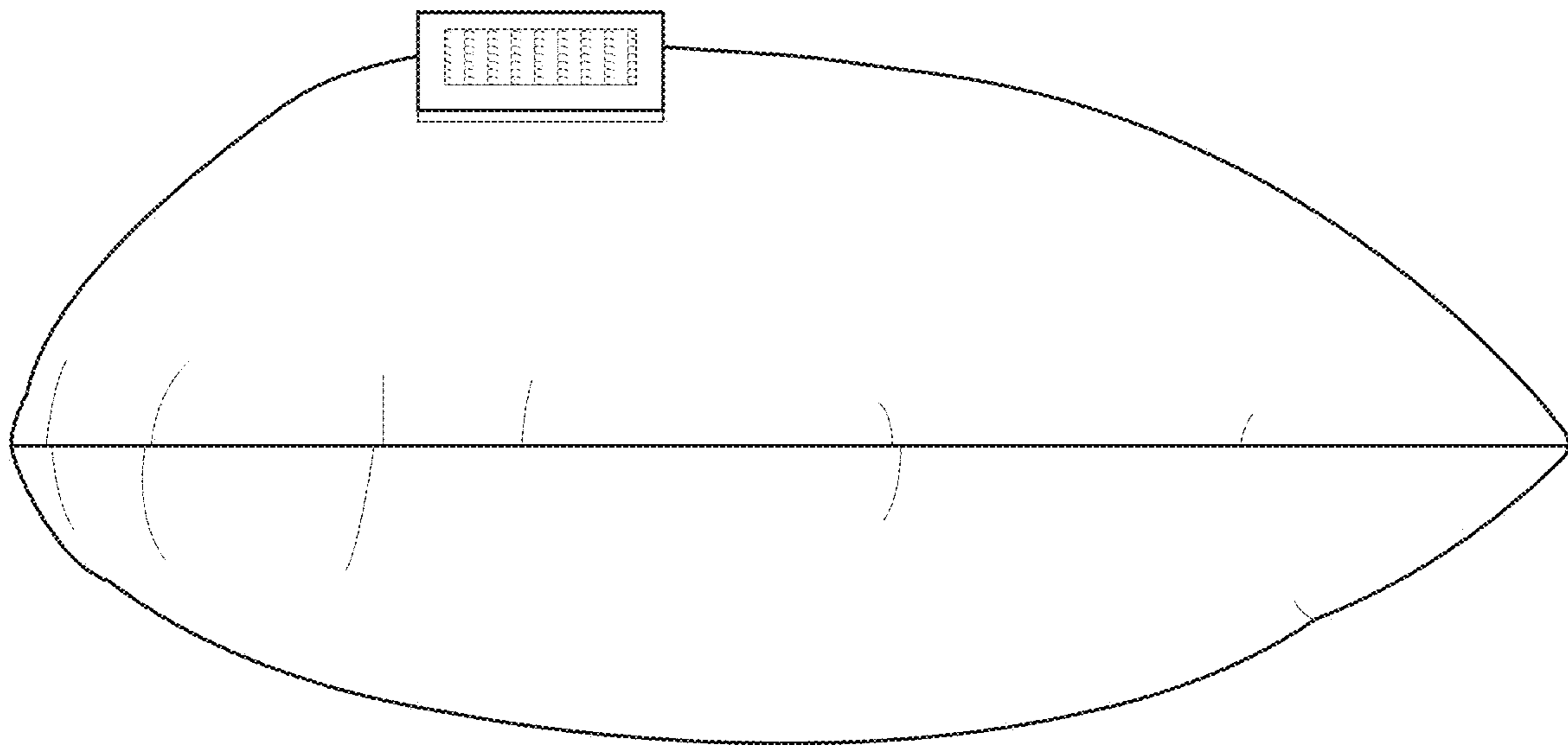


Fig. 7

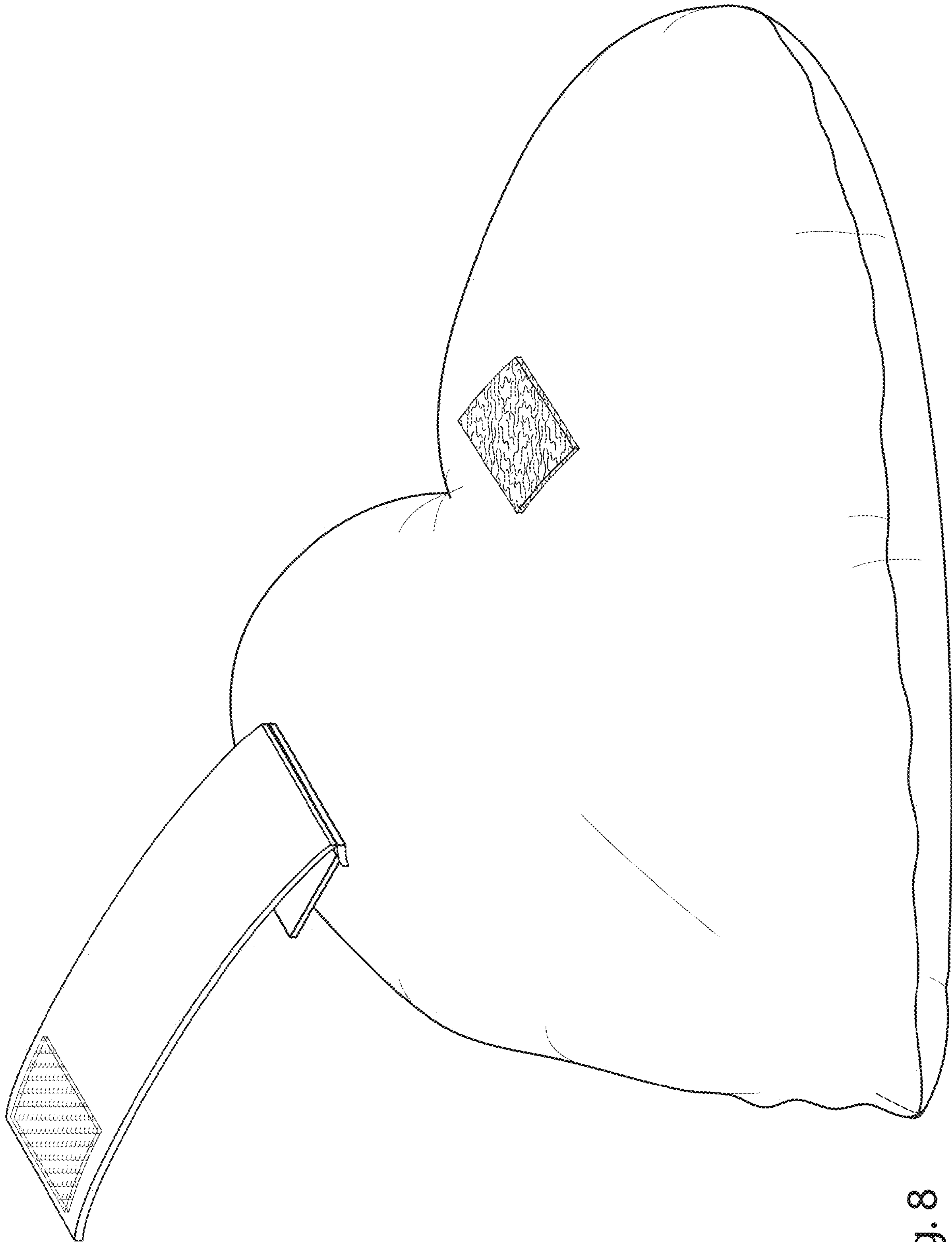


Fig. 8

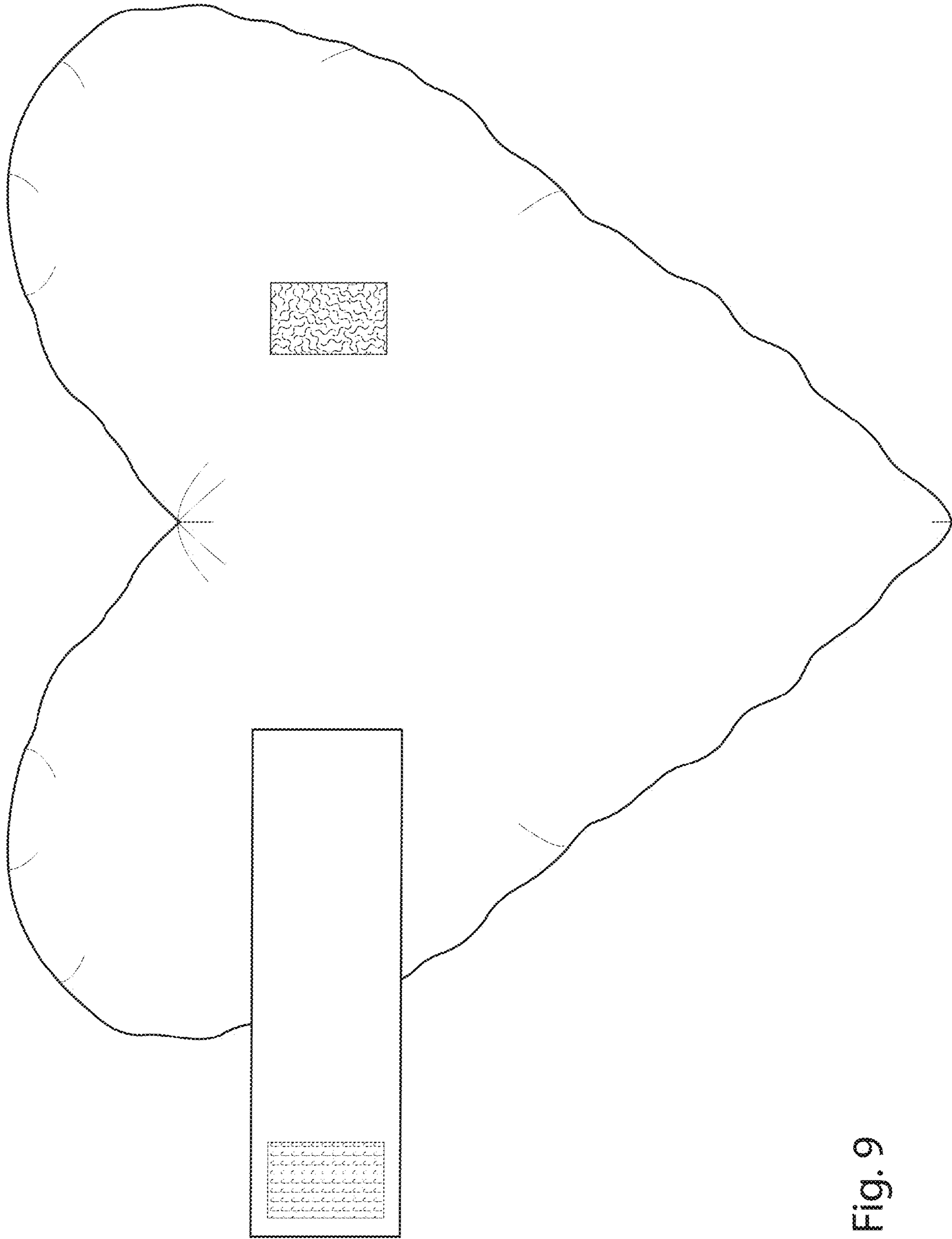


Fig. 9

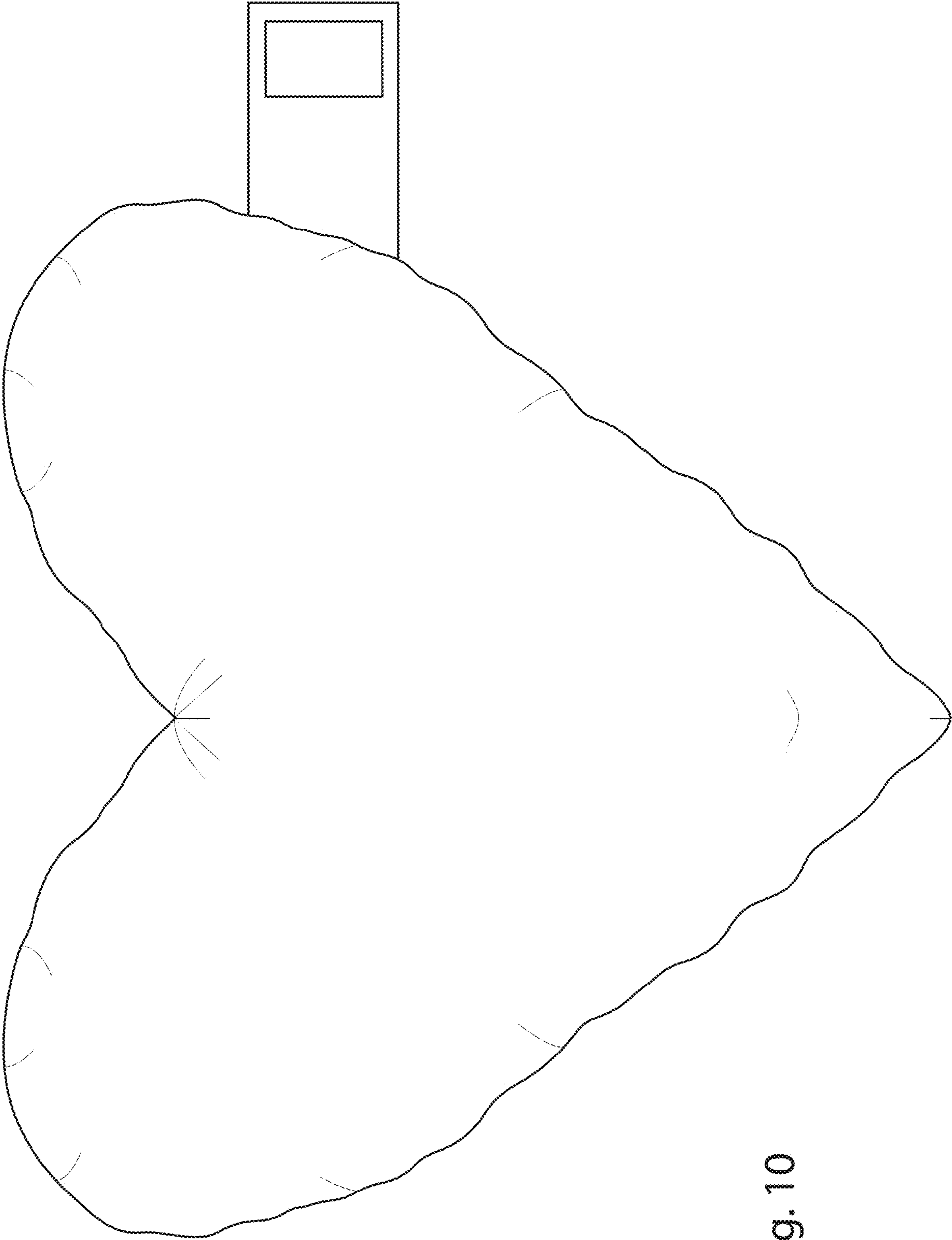


Fig. 10

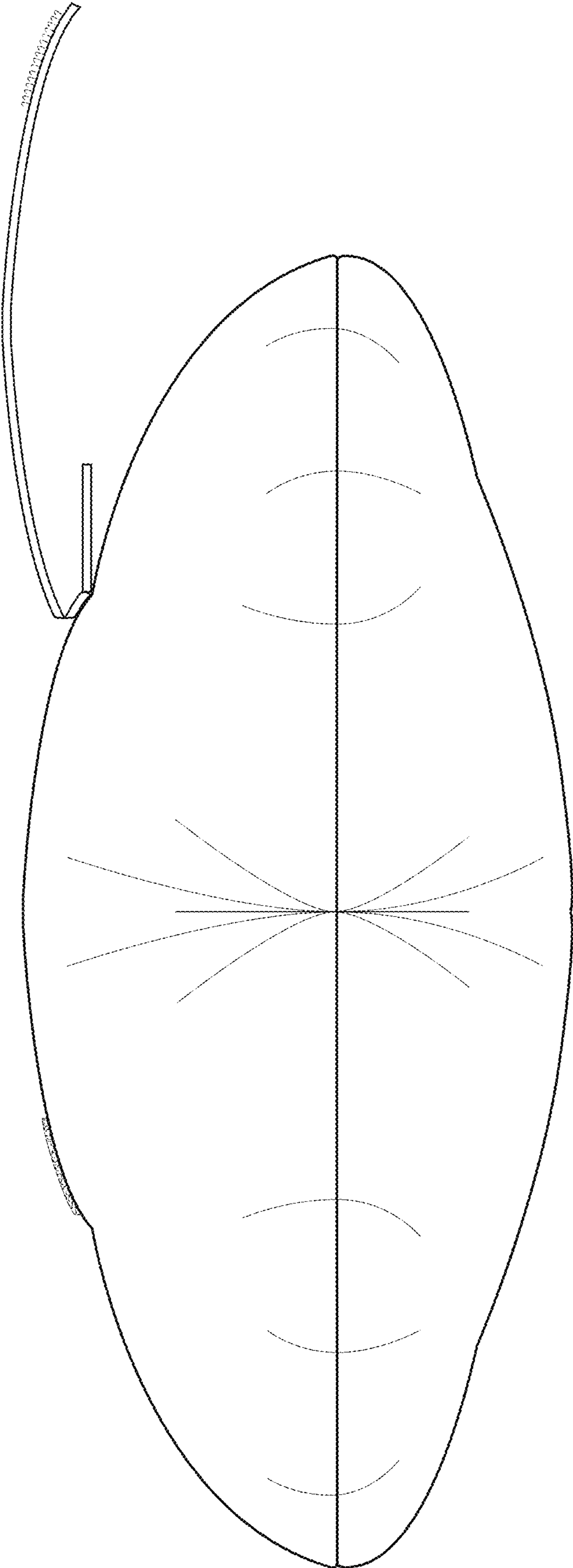


Fig. 11

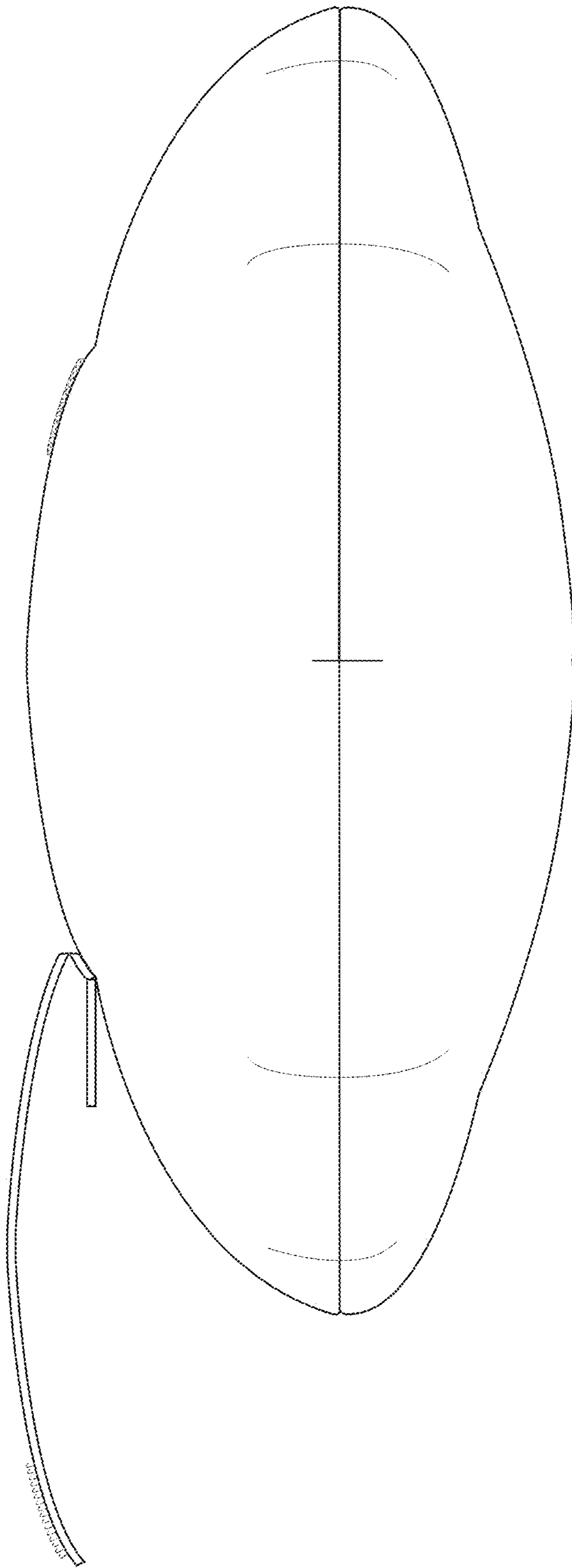


Fig. 12

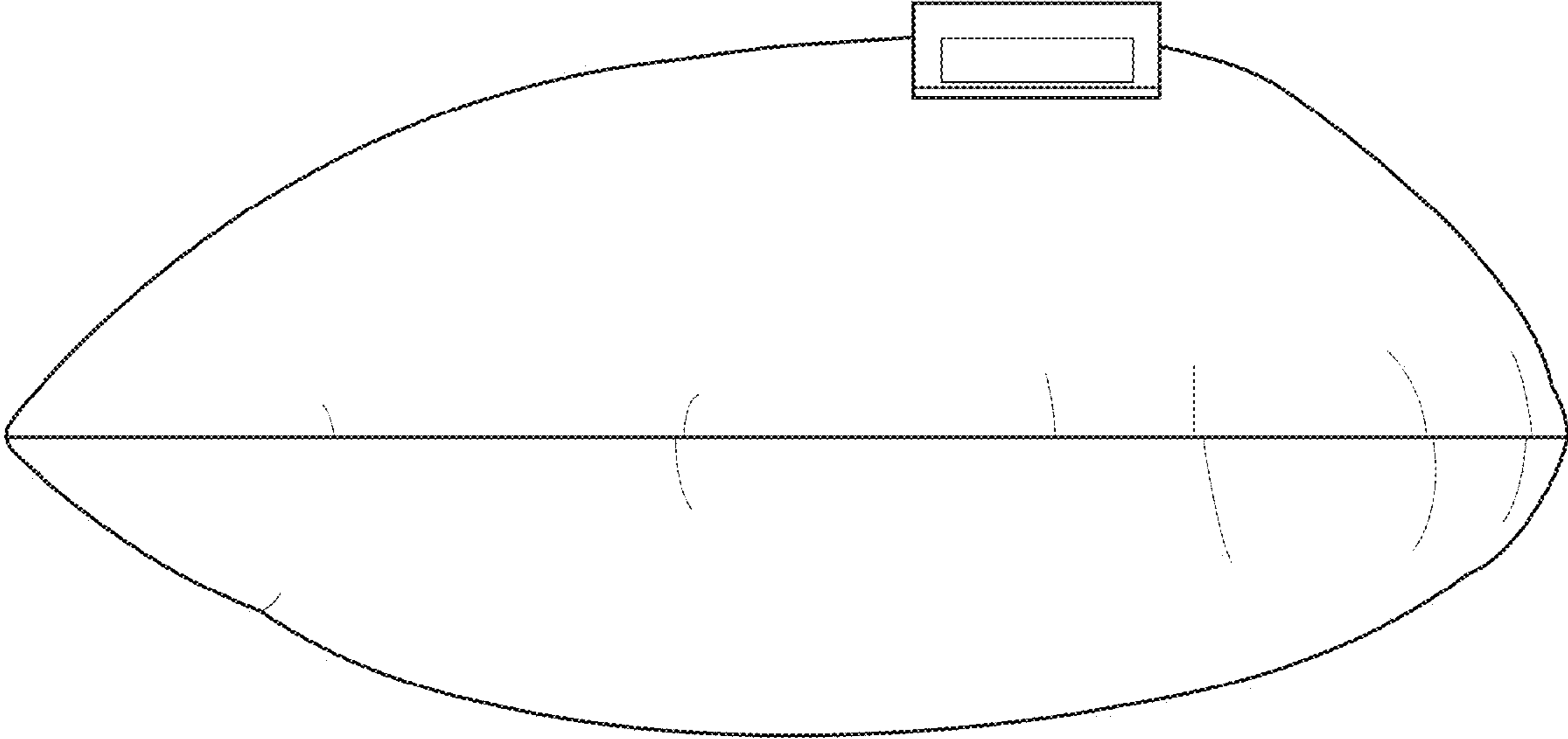


Fig. 13

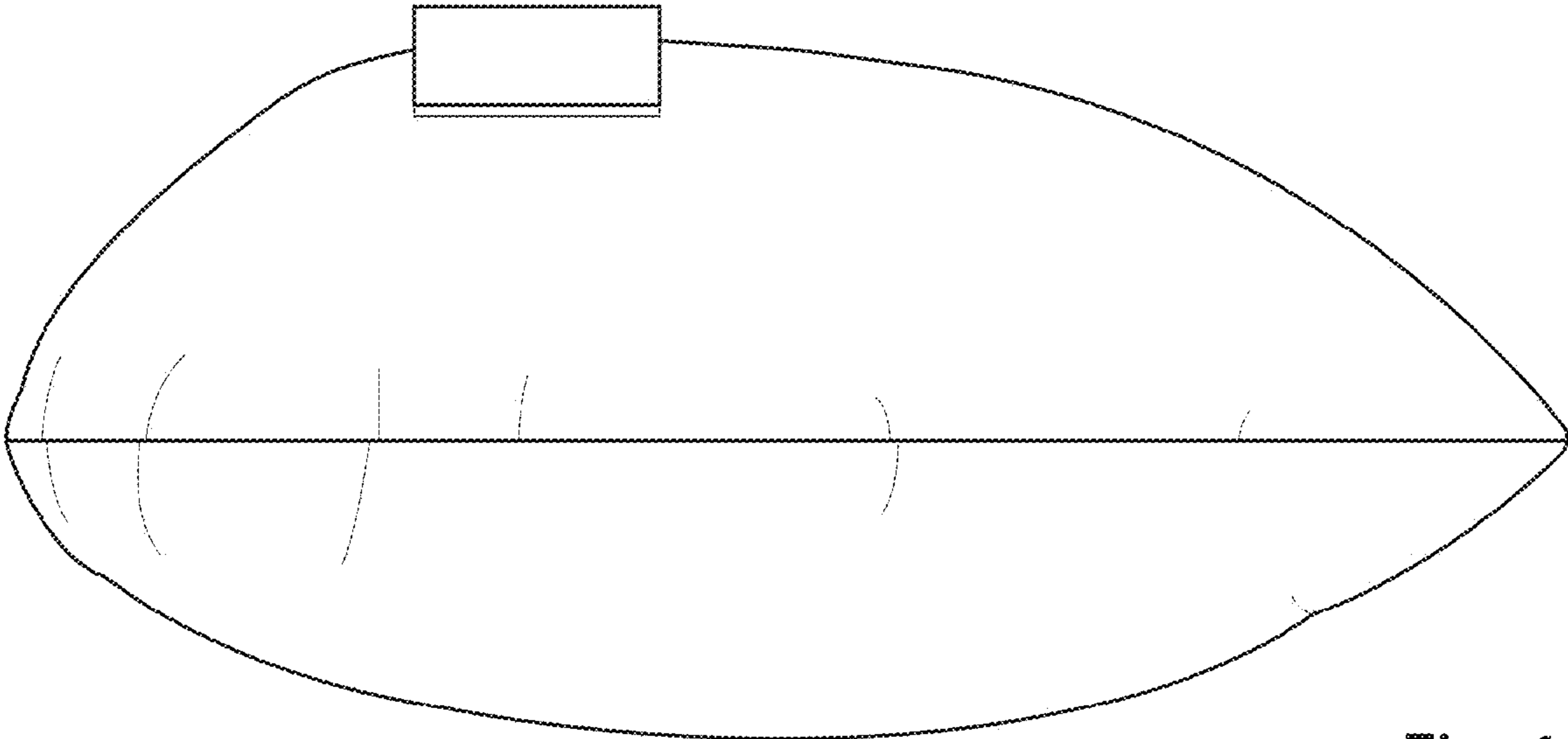


Fig. 14