



US00D906728S

(12) **United States Design Patent** (10) **Patent No.:** **US D906,728 S**  
**Hu** (45) **Date of Patent:** **\*\* Jan. 5, 2021**

(54) **ANTI-FATIGUE MAT**  
(71) Applicant: **Shanghai Angling Industrial Co., Ltd,**  
Shanghai (CN)  
(72) Inventor: **Shuwen Hu,** Shanghai (CN)  
(73) Assignee: **Shanghai Angling Industrial Co., Ltd,**  
Shanghai (CN)  
(\*\*) Term: **15 Years**  
(21) Appl. No.: **29/737,535**  
(22) Filed: **Jun. 10, 2020**  
(51) **LOC (13) Cl.** ..... **06-11**  
(52) **U.S. Cl.**  
USPC ..... **D6/592**  
(58) **Field of Classification Search**  
USPC ..... D6/582-584, 586-589, 592, 593  
CPC ..... A47G 27/02; A47G 27/0206; A47G  
27/0212; A47G 27/0225; A47G 27/0231;  
A47G 27/0237; A47G 27/0468; A47G  
9/062; A47K 3/002; A47K 7/026; A63B  
21/4037; A63B 6/00; G09B 19/0015  
See application file for complete search history.

D880,787 S \* 4/2020 Price ..... D30/133  
10,639,831 B2 5/2020 Lu  
2008/0149122 A1\* 6/2008 Lovely ..... A45D 44/00  
132/76.5  
2009/0139017 A1\* 6/2009 Anderson ..... A47G 27/0225  
4/251.1

**OTHER PUBLICATIONS**

Topo Mini by Ergodrive | The Smaller Not-Flat Standing Desk  
Anti-Fatigue Mat with Calculated Terrain. Sold on Amazon.com.  
Feb. 13, 2017. Accessed on Nov. 7, 2020. <https://www.amazon.com/Ergodrive-Not-Flat-Standing-Anti-Fatigue-Calculated/dp/B01N8YE3V1> (Year: 2017).\*  
Topo Comfort Mat by Ergodrive | The Not-Flat Standing Desk  
Anti-Fatigue Mat with Calculated Terrain | Standing Desk Mat |  
Comfortable Standing Mat | Office Mat | Desk Accessories |  
Obsidian Black [https://www.amazon.com/Ergodrive-Not-Flat-Anti-Fatigue-Calculated-Must-Have/dp/B00V3TO9EK/ref=sr\\_1\\_7?dchild=1&keywords=Anti-fatigue%2Bmat&qid=1591782362&sr=8-7&th=1](https://www.amazon.com/Ergodrive-Not-Flat-Anti-Fatigue-Calculated-Must-Have/dp/B00V3TO9EK/ref=sr_1_7?dchild=1&keywords=Anti-fatigue%2Bmat&qid=1591782362&sr=8-7&th=1) (Year 2015).

\* cited by examiner

*Primary Examiner* — Kevin K Rudzinski  
*Assistant Examiner* — Clare Ann Gannon

(56) **References Cited**

**U.S. PATENT DOCUMENTS**

D183,822 S \* 11/1958 Barnhart ..... D7/553.8  
D367,199 S \* 2/1996 Graebe ..... D6/596  
D584,093 S 1/2009 Drumm  
D626,773 S 11/2010 Oster  
D770,201 S 11/2016 Dieckhaus  
D771,974 S \* 11/2016 Feeley ..... A47G 27/0231  
D6/592  
D807,079 S \* 1/2018 Failing ..... D6/592  
D809,823 S \* 2/2018 Lu ..... D6/582  
D810,466 S \* 2/2018 Lu ..... D6/592  
D825,223 S \* 8/2018 Feeley ..... D6/592  
D830,726 S \* 10/2018 Lu ..... D6/592  
D847,536 S 5/2019 Patton et al.  
D876,122 S \* 2/2020 Hu ..... D6/582

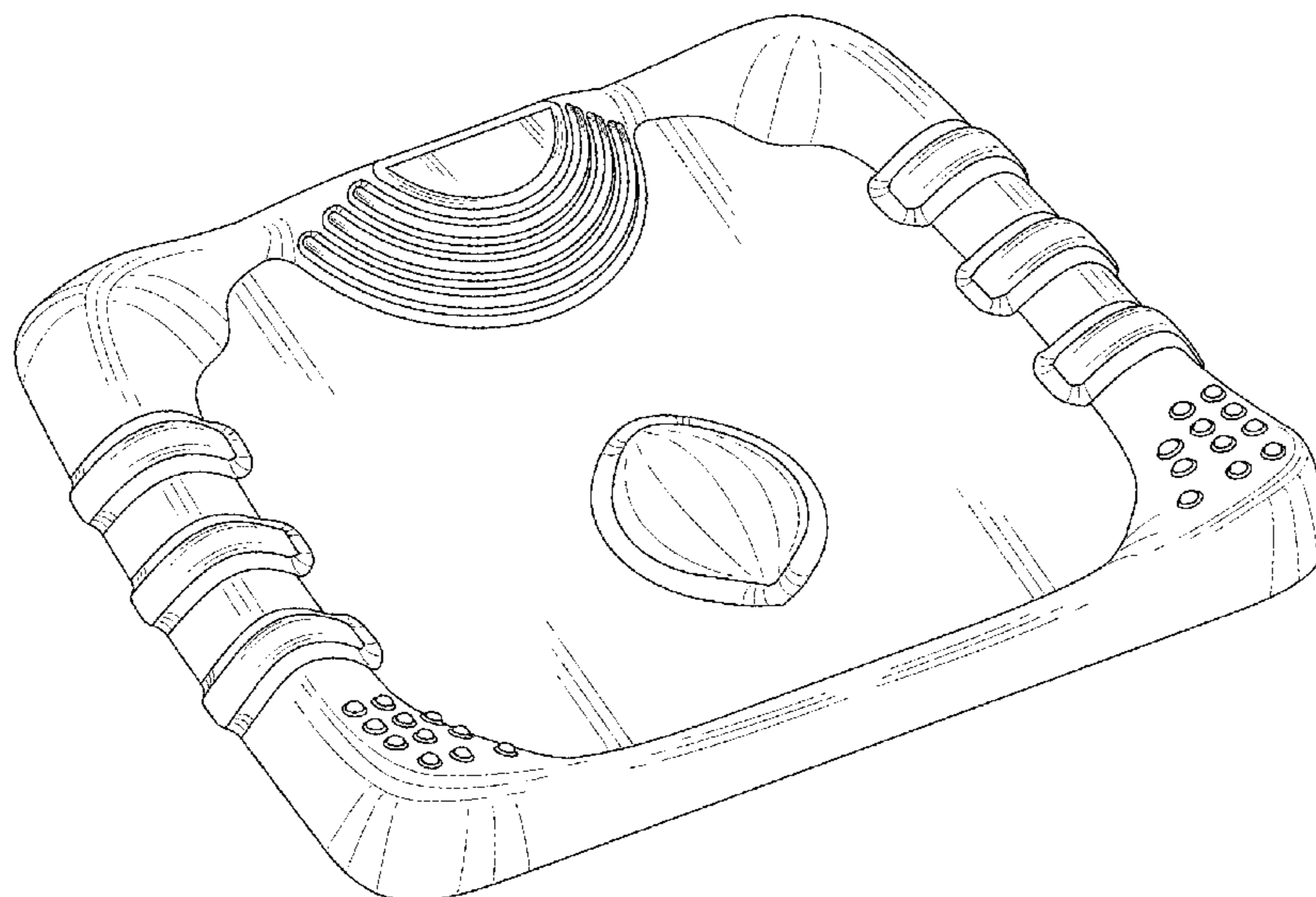
(57) **CLAIM**

The ornamental design for an anti-fatigue mat, as shown and described.

**DESCRIPTION**

FIG. 1 is a perspective view of an anti-fatigue mat showing my new design;  
FIG. 2 is a front elevational view thereof;  
FIG. 3 is a rear elevational view thereof;  
FIG. 4 is a left side elevational view thereof;  
FIG. 5 is a right side elevational view thereof;  
FIG. 6 is a top plan view thereof; and,  
FIG. 7 is a bottom plan view thereof.

**1 Claim, 7 Drawing Sheets**



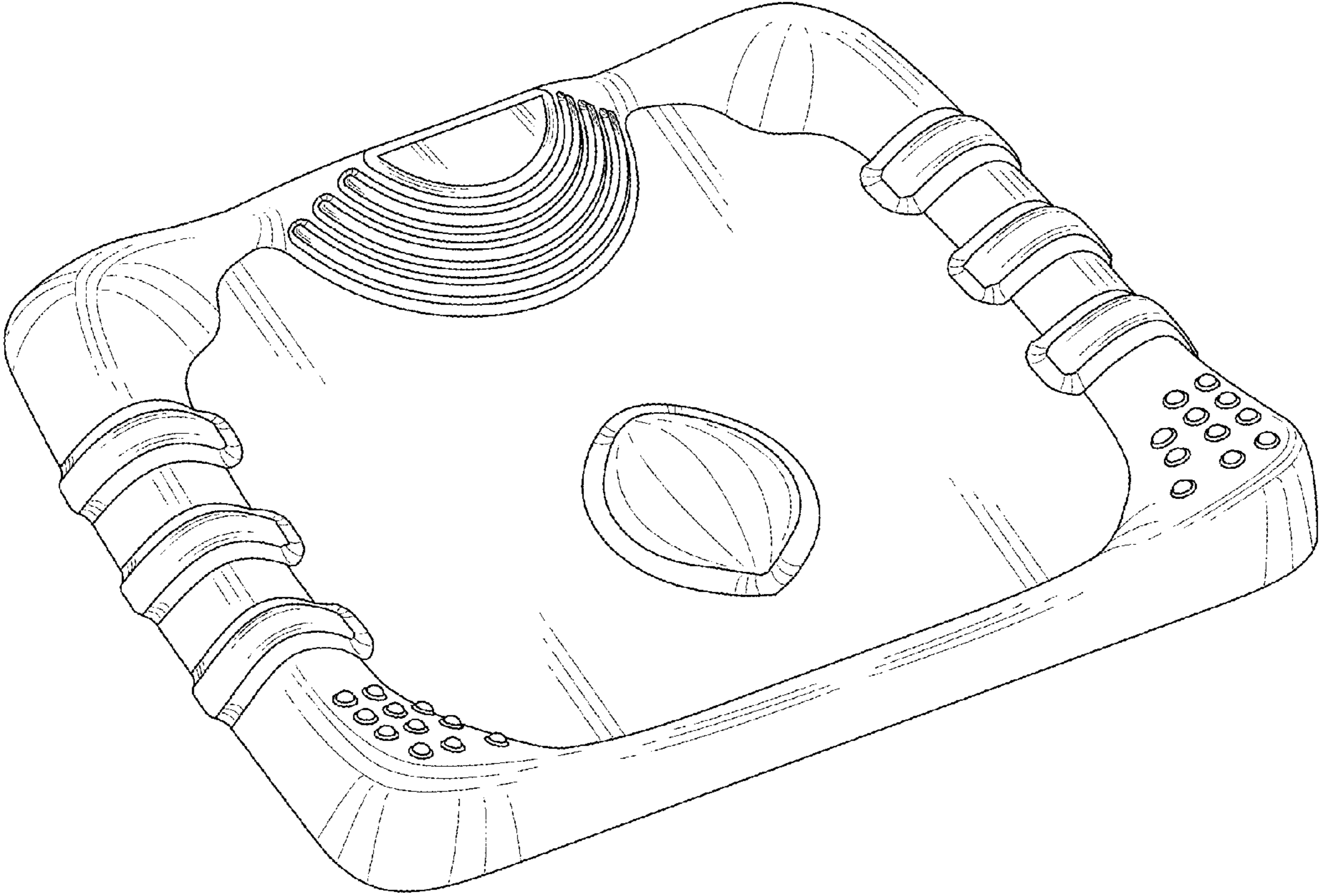


FIG.1

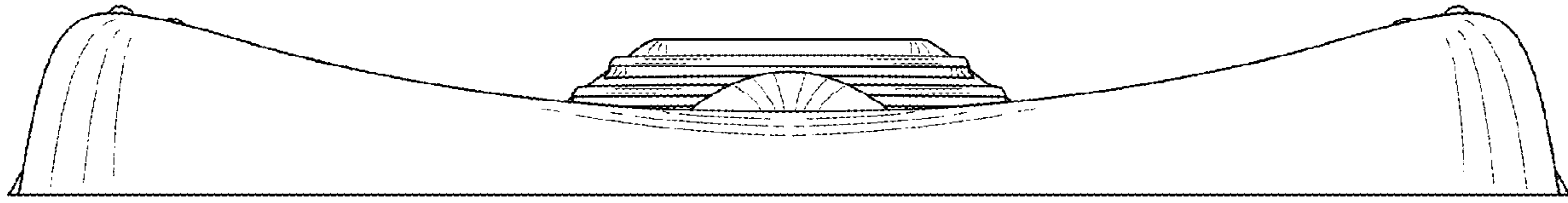


FIG.2

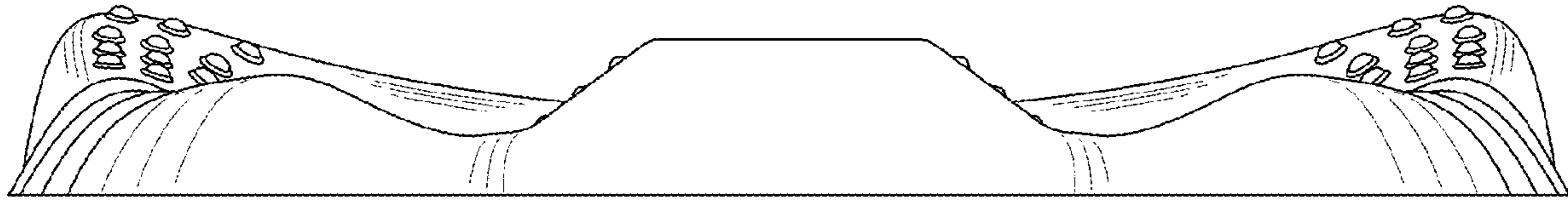


FIG.3

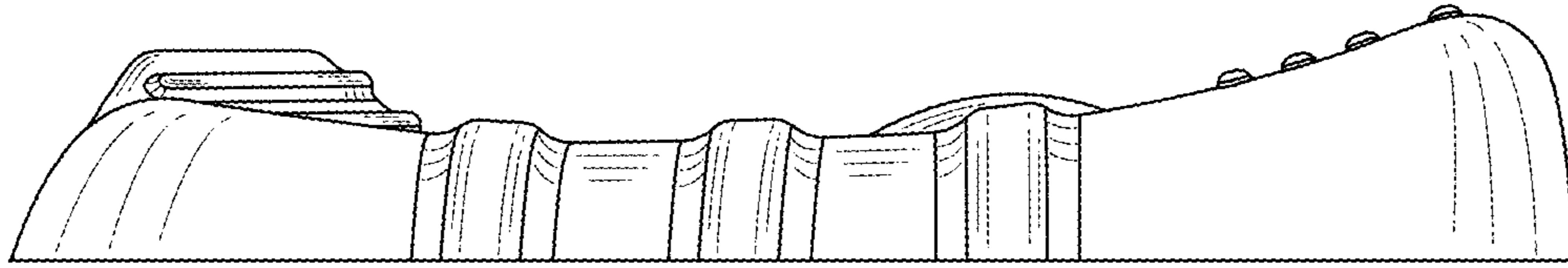


FIG.4

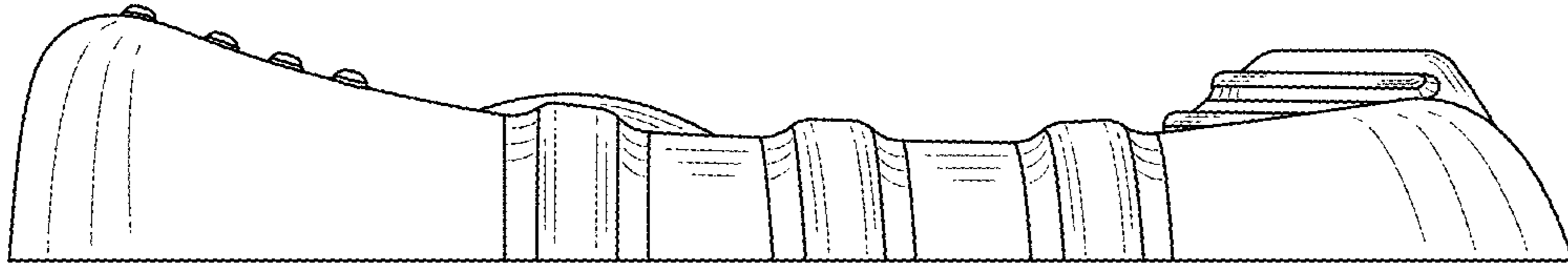


FIG.5

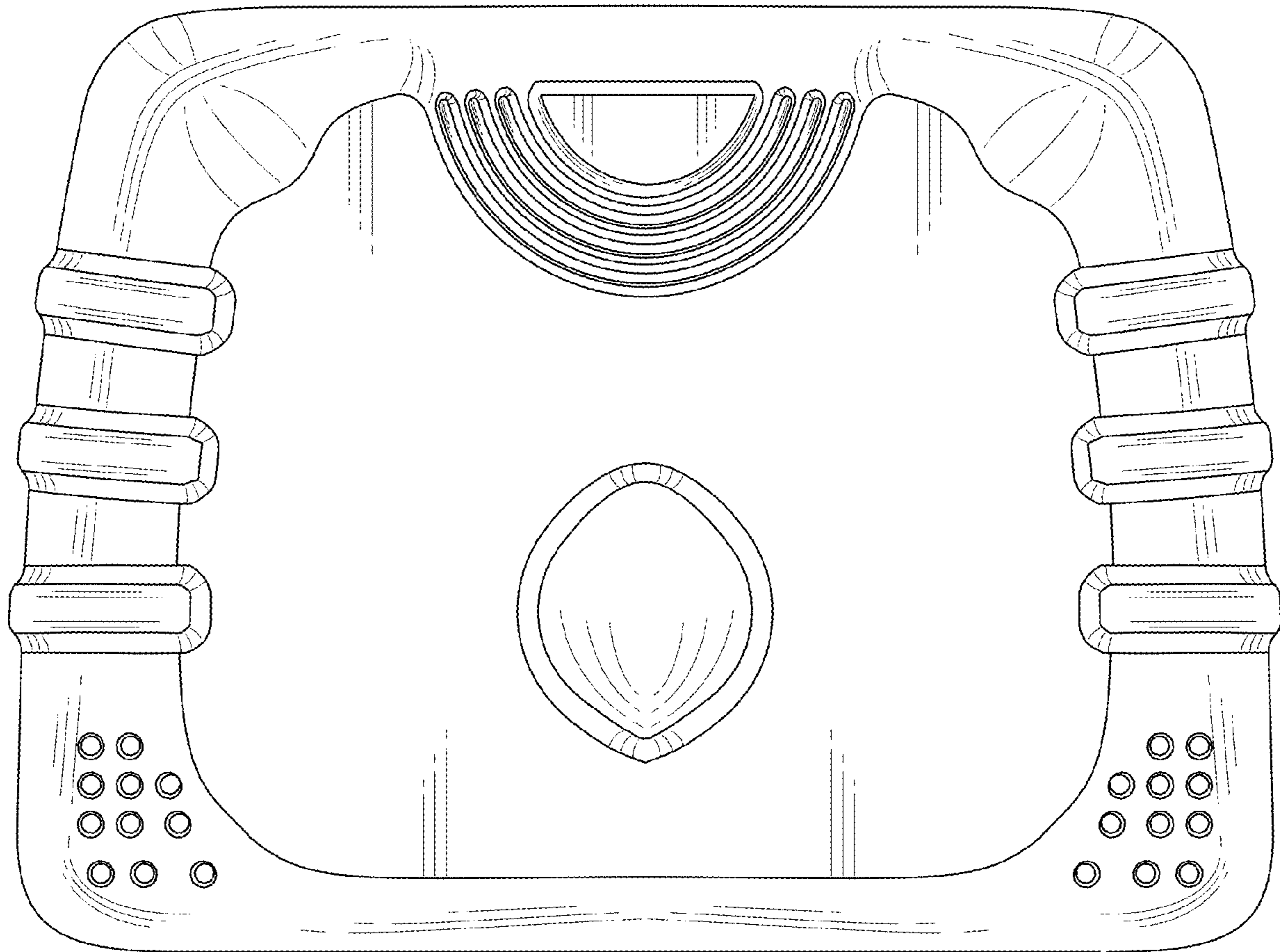


FIG.6

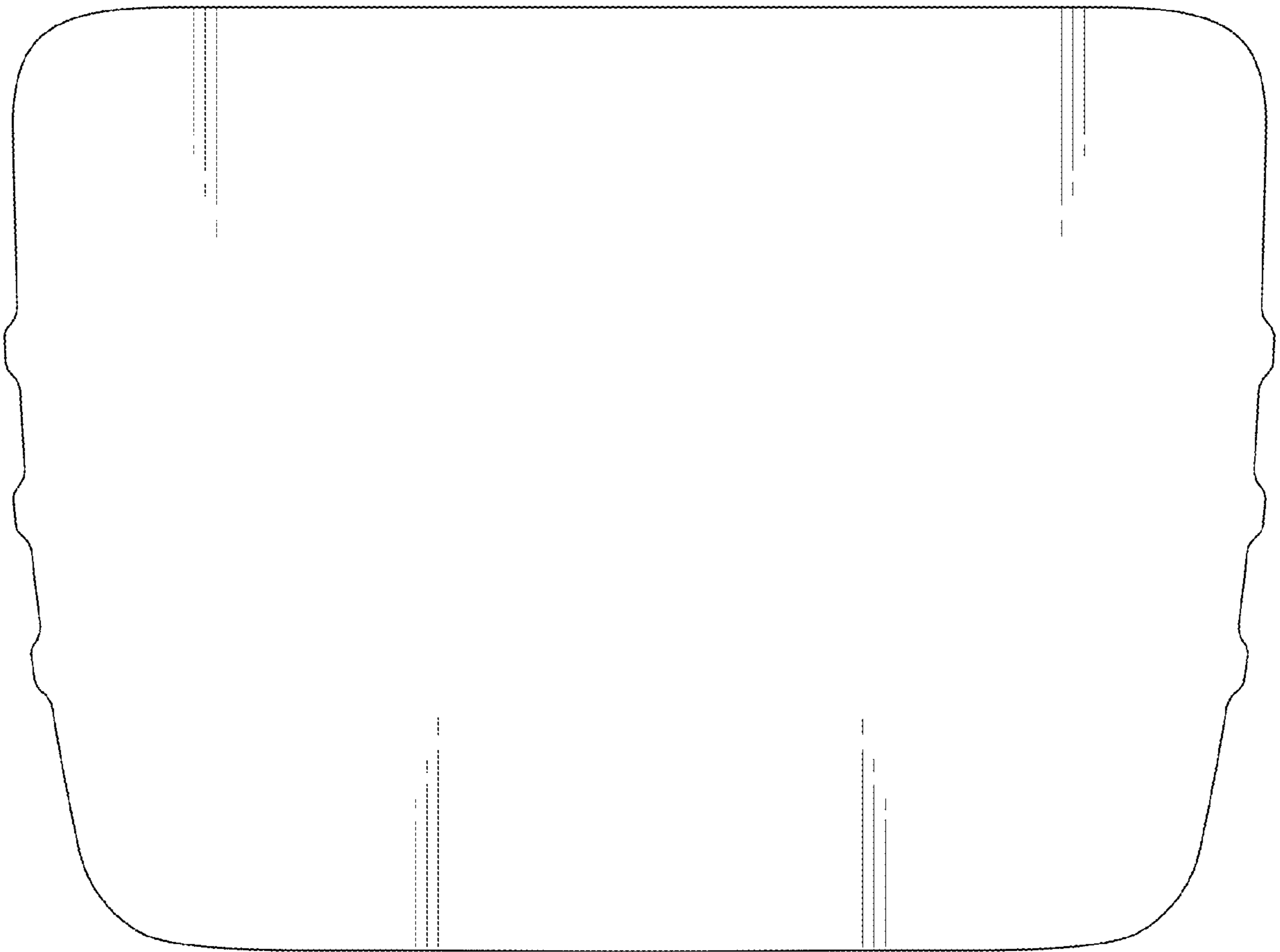


FIG.7