



US00D906724S

(12) **United States Design Patent** (10) **Patent No.:** **US D906,724 S**
Allard et al. (45) **Date of Patent:** **** Jan. 5, 2021**

(54) **TOWEL BAR**

(71) Applicant: **Grohe AG**, Hemer (DE)

(72) Inventors: **Jochen Allard**, Duesseldorf (DE);
Michael Seum, Duesseldorf (DE)

(73) Assignee: **Grohe AG**, Hemer (DE)

(**) Term: **15 Years**

(21) Appl. No.: **29/732,216**

(22) Filed: **Apr. 22, 2020**

(30) **Foreign Application Priority Data**

Oct. 23, 2019 (EM) 007081724-0005

(51) **LOC (13) Cl.** **06-04**

(52) **U.S. Cl.**
USPC **D6/546; D6/549**

(58) **Field of Classification Search**
USPC D6/546-550, 512-525; 211/13.1, 16,
211/85.5, 86.01, 87.01, 88.04, 100, 105.1,
211/105.2, 106, 113, 123, 181.1,
211/182-183; 248/49, 175, 176.1, 200,
248/201, 205.1, 251, 302, 309.1, 315;
242/570, 590, 595-598; D8/300,
D8/315-321, 354, 363, 373, 380;
108/28-29

CPC A47K 10/04; A47K 10/00; A47K 10/3836;
A47K 10/38

See application file for complete search history.

(56) **References Cited**

U.S. PATENT DOCUMENTS

2,622,743 A * 12/1952 Ross A47F 5/0876
211/123
D261,337 S * 10/1981 Fink D6/549
4,465,198 A * 8/1984 Martin A47K 10/04
211/105.3

D276,387 S * 11/1984 Conti D6/549
D314,108 S * 1/1991 Chap D6/523
D327,597 S * 7/1992 Emery D6/546
D340,377 S * 10/1993 Brazis D6/549
D360,095 S * 7/1995 Wang D6/548
D364,768 S * 12/1995 Moon D6/549
D379,920 S * 6/1997 Bozzo D8/368
6,024,231 A * 2/2000 Bates A47K 10/04
211/105.1
D424,403 S * 5/2000 Workman D8/302
D455,922 S * 4/2002 Rafoth D6/513

(Continued)

OTHER PUBLICATIONS

Build.com website, Grohe defined 24" Towel Bar, Jun. 3, 2020,
<https://www.build.com/grohe-40-971/s1604917?uid=3829736> (Year:
2020).*

Primary Examiner — Nathan M Johnston

(74) *Attorney, Agent, or Firm* — Muncy, Geissler, Olds &
Lowe, P.C.

(57) **CLAIM**

The ornamental design for a towel bar, as shown and
described.

DESCRIPTION

FIG. 1 is a front perspective view of a towel bar according
to the present invention.

FIG. 2 is a front view of the towel bar of FIG. 1.

FIG. 3 is a rear view of the towel bar of FIG. 1.

FIG. 4 is a left side view of the towel bar of FIG. 1.

FIG. 5 is a right side view of the towel bar of FIG. 1.

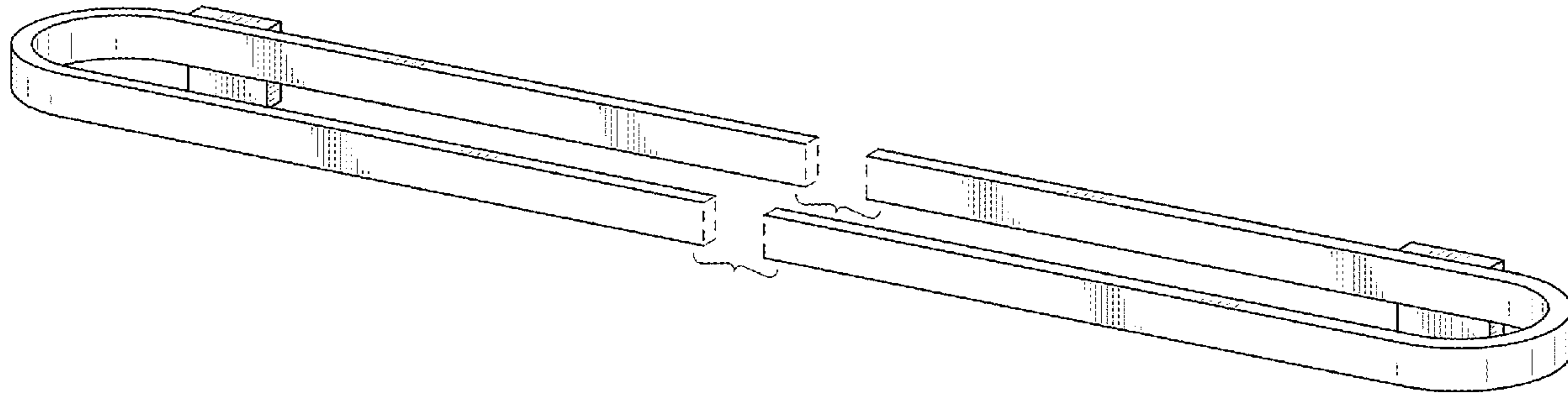
FIG. 6 is a top view of the towel bar of FIG. 1; and,

FIG. 7 is a bottom view of the towel bar of FIG. 1.

The broken lines show portions of the design that form no
part of the claimed design.

The towel bar is shown with a symbolic break in its length.
The appearance of any portion of the article between the
break lines forms no part of the claimed design.

1 Claim, 7 Drawing Sheets



(56)

References Cited

U.S. PATENT DOCUMENTS

D480,296 S *	10/2003	Scola	D8/373
D506,377 S *	6/2005	Marzolf	D8/300
D573,003 S *	7/2008	Bogdan	D8/307
D573,819 S *	7/2008	Brinkerhoff	D6/702
D573,825 S *	7/2008	Rubin	D6/546
D589,778 S *	4/2009	Pratt	D8/317
D599,567 S *	9/2009	Kuo	D6/320
D633,310 S *	3/2011	Song	D6/315
8,550,263 B2 *	10/2013	Martin	A47K 1/08 211/105.3
D764,833 S *	8/2016	Citterio	D6/549
D785,367 S *	5/2017	Eads	D6/549
D812,929 S *	3/2018	Garland	D6/549
D821,845 S *	7/2018	Garland	D8/316

* cited by examiner

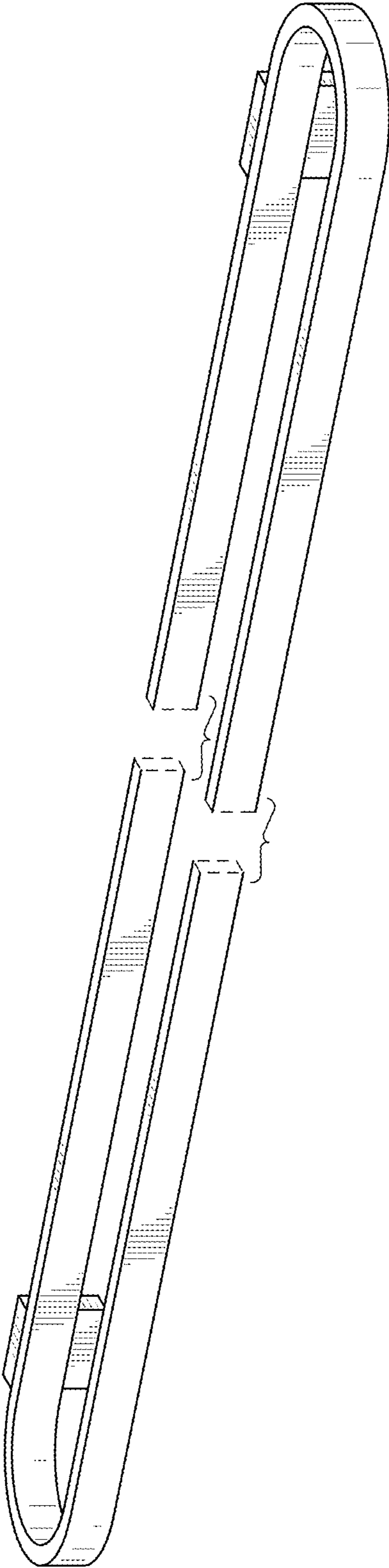


FIG.1

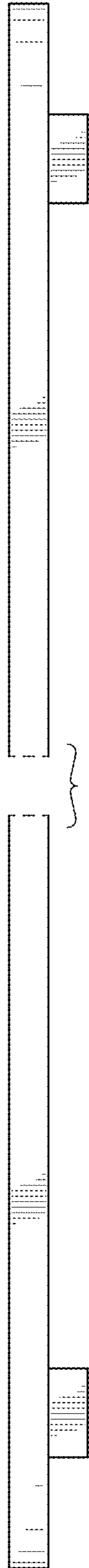


FIG.2

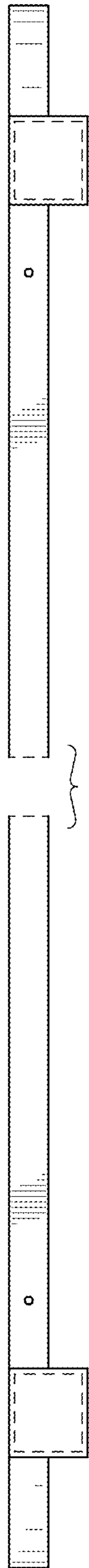


FIG.3



FIG.4

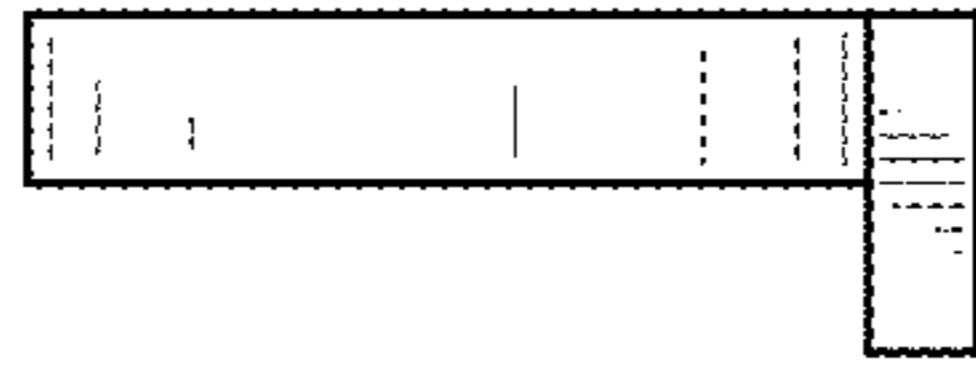


FIG.5

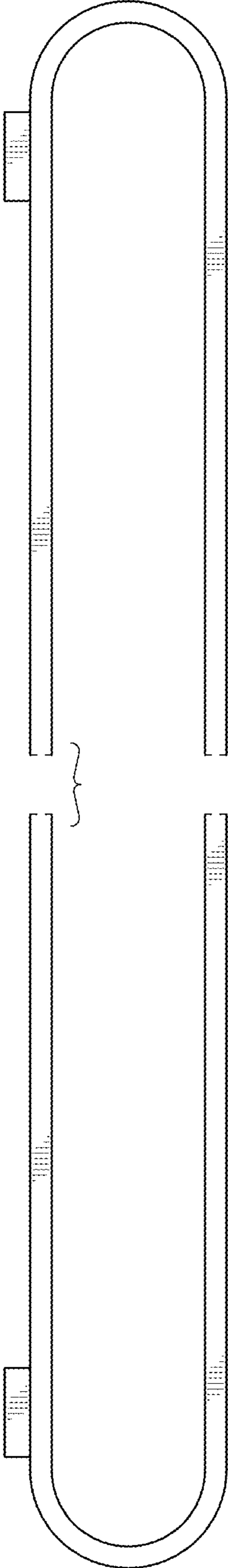


FIG.6

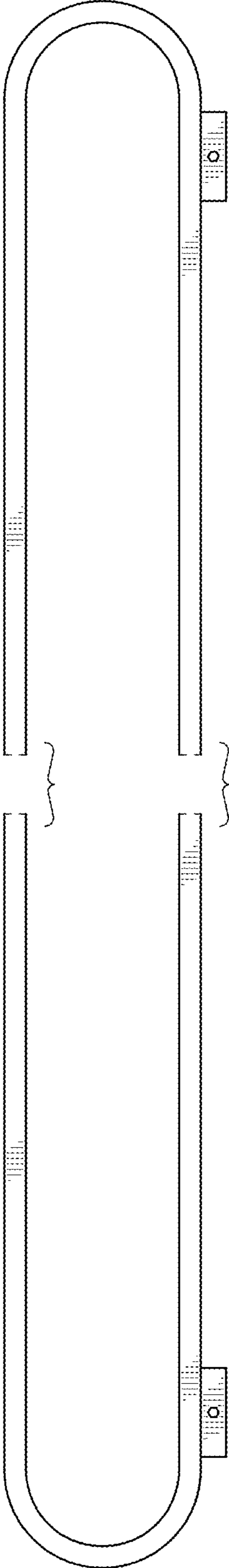


FIG.7