



US00D906722S

(12) **United States Design Patent**  
**Zhang**

(10) **Patent No.:** **US D906,722 S**

(45) **Date of Patent:** **\*\* Jan. 5, 2021**

(54) **TUBE SQUEEZER**

(71) Applicant: **Shuo Zhang**, Guangdong (CN)

(72) Inventor: **Shuo Zhang**, Guangdong (CN)

(\*\*) Term: **15 Years**

(21) Appl. No.: **29/712,781**

(22) Filed: **Nov. 12, 2019**

(51) **LOC (13) Cl.** ..... **06-04**

(52) **U.S. Cl.**  
USPC ..... **D6/541**

(58) **Field of Classification Search**  
USPC ..... D6/541; D8/18, 359; D9/434, 442;  
D15/123; D32/61  
CPC ..... B65D 35/28; B65D 35/285; B65D 35/32  
See application file for complete search history.

(56) **References Cited**

**U.S. PATENT DOCUMENTS**

D88,288 S *	11/1932	Gunnison	.....	D6/541
D122,263 S *	9/1940	Durin	.....	D6/530
D124,707 S *	1/1941	Baumeister	.....	D6/541
D159,882 S *	8/1950	Adelsperger	.....	D6/541
D159,883 S *	8/1950	Adelsperger	.....	D6/541
D171,807 S *	3/1954	Strachan	.....	D6/541
D172,030 S *	4/1954	Johnson	.....	D6/541
D185,785 S *	8/1959	Maynard	.....	D6/541
2,906,479 A *	9/1959	Strachan	.....	A47K 1/09 248/108
D186,975 S *	1/1960	Werner	.....	D6/541
D202,025 S *	8/1965	Bardon	.....	D6/541
D206,857 S *	2/1967	Dalton	.....	D6/541
4,010,873 A *	3/1977	Mardirossian	.....	B65D 35/28 222/101
D292,071 S *	9/1987	Weir	.....	D6/541
D313,914 S *	1/1991	Tribbey	.....	D6/541
D317,689 S *	6/1991	Curtis	.....	D6/541
D319,939 S *	9/1991	Wolf	.....	D6/541
D333,608 S *	3/1993	Yisrael	.....	D6/541

D335,991 S *	6/1993	Roberts	.....	D6/541
D341,050 S *	11/1993	Waffensmith	.....	D6/541
D360,326 S *	7/1995	Fairbanks	.....	D6/541
D363,847 S *	11/1995	Young	.....	D6/541
D396,587 S *	8/1998	Saito	.....	D6/541
D402,144 S *	12/1998	Weirich	.....	D6/524
6,966,457 B1 *	11/2005	Torbet	.....	B65D 35/285 222/101
D554,985 S *	11/2007	Tal	.....	D6/541
D574,173 S *	8/2008	Green	.....	D6/541
D587,050 S *	2/2009	Behan	.....	D6/541
8,434,644 B1 *	5/2013	Galante	.....	B65D 35/285 222/102
D686,019 S *	7/2013	Lucsko	.....	D6/541
D716,579 S *	11/2014	Egbert	.....	D6/541

(Continued)

**FOREIGN PATENT DOCUMENTS**

CA 2466630 A1 \* 11/2004 ..... B65D 35/285

*Primary Examiner* — Michael C Stout  
*Assistant Examiner* — Fritzgerald L Butac  
(74) *Attorney, Agent, or Firm* — ZANIP

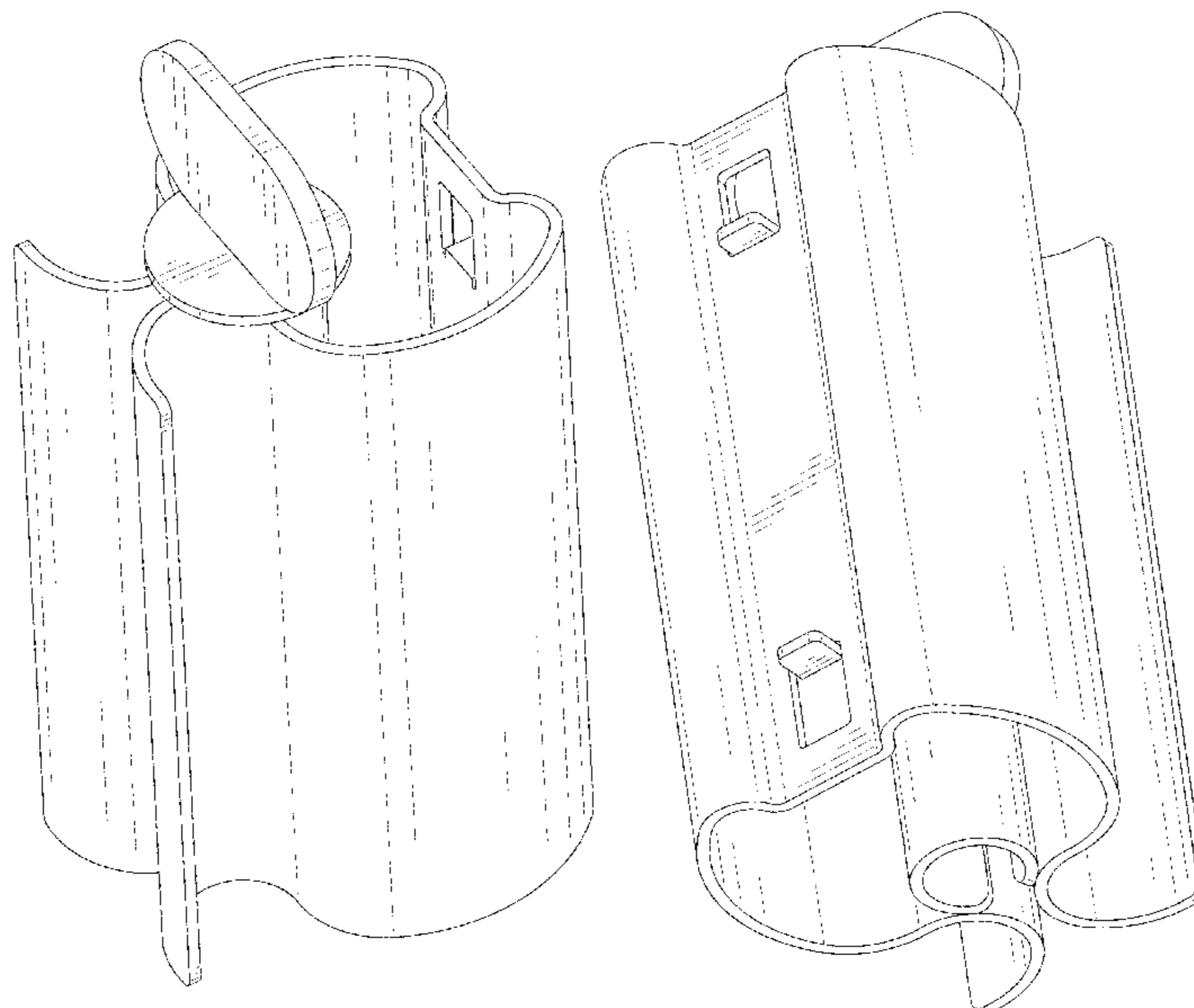
(57) **CLAIM**

The ornamental design for a tube squeezer, as shown and described.

**DESCRIPTION**

FIG. 1 is a front and top perspective view of a tube squeezer, showing my new design;  
FIG. 2 is a rear and bottom perspective view thereof;  
FIG. 3 is a front elevational view thereof;  
FIG. 4 is a rear elevational view thereof;  
FIG. 5 is a left side elevational view thereof;  
FIG. 6 is a right side elevational view thereof;  
FIG. 7 is a top plan view thereof; and,  
FIG. 8 is a bottom plan view thereof.  
The broken lines in the figures illustrate portions of the tube squeezer that form no part of the claimed design.

**1 Claim, 8 Drawing Sheets**



(56)

**References Cited**

U.S. PATENT DOCUMENTS

D764,830 S \* 8/2016 Rancatore, Jr. .... D6/541  
2006/0043108 A1 \* 3/2006 Burrell ..... B65D 35/28  
222/103

\* cited by examiner

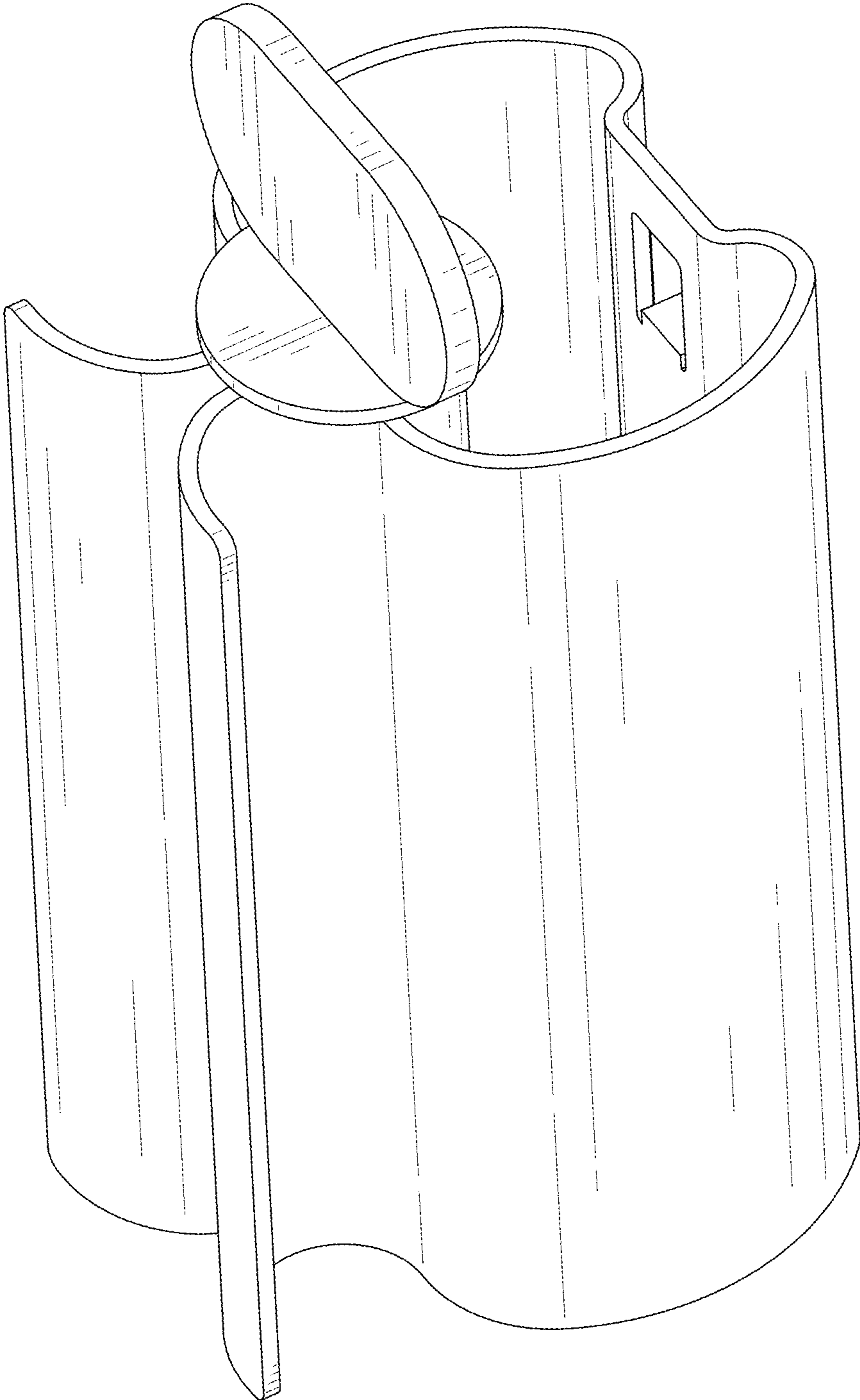


FIG. 1

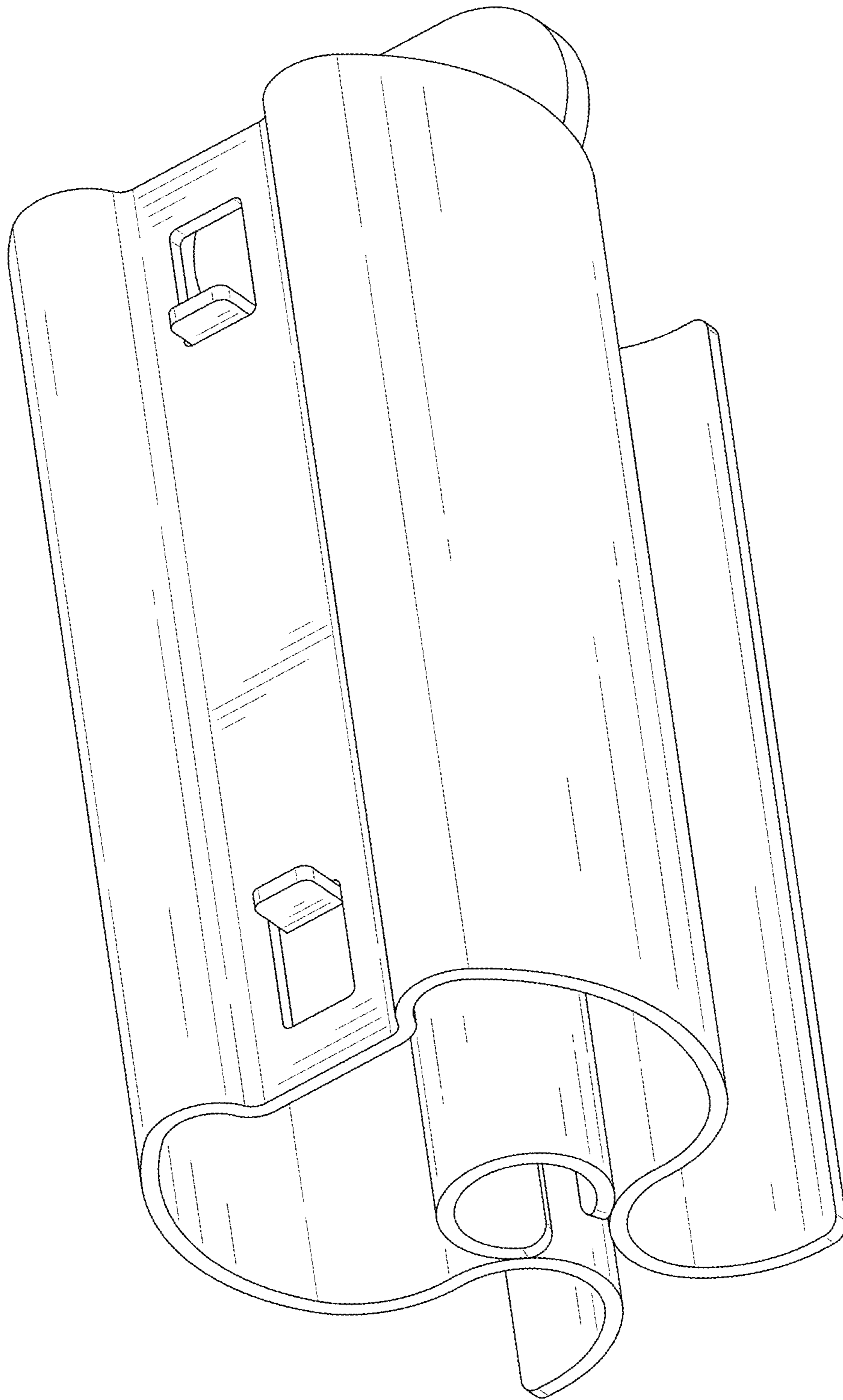


FIG. 2

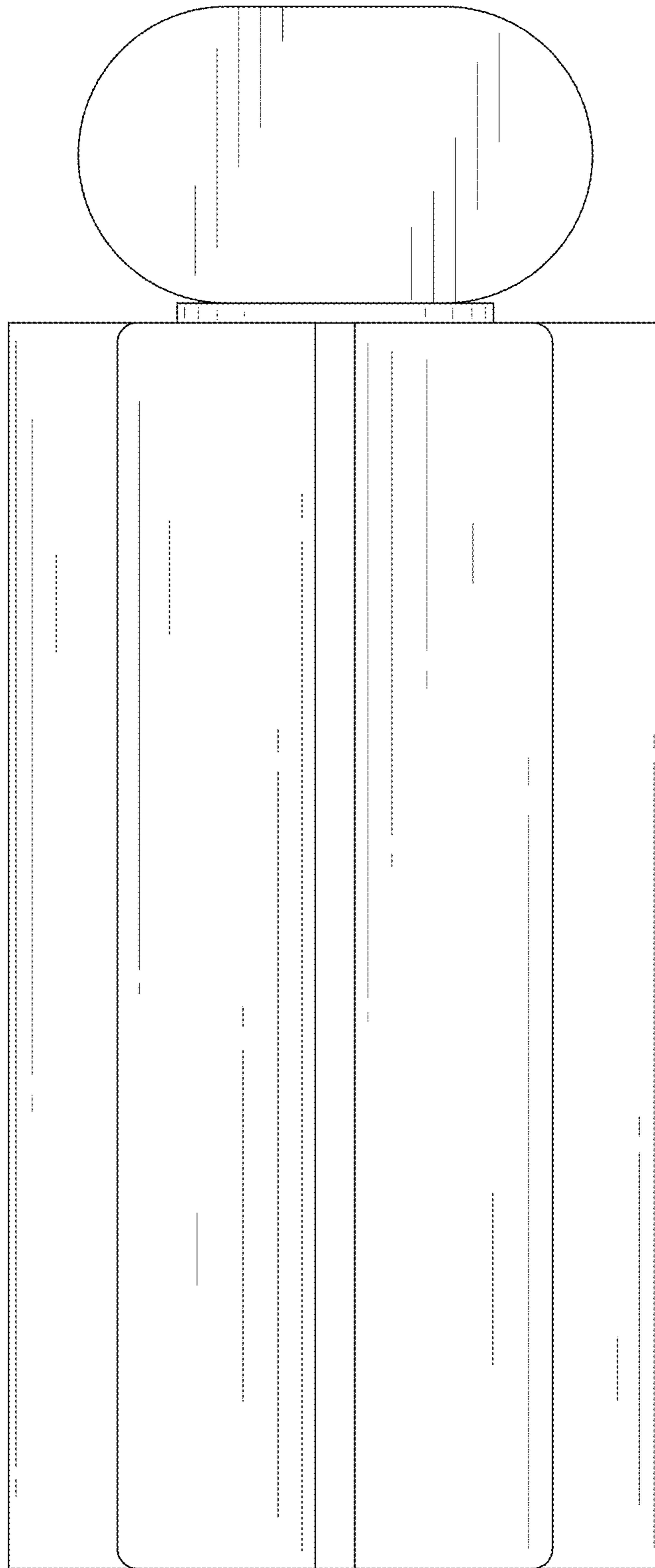


FIG. 3

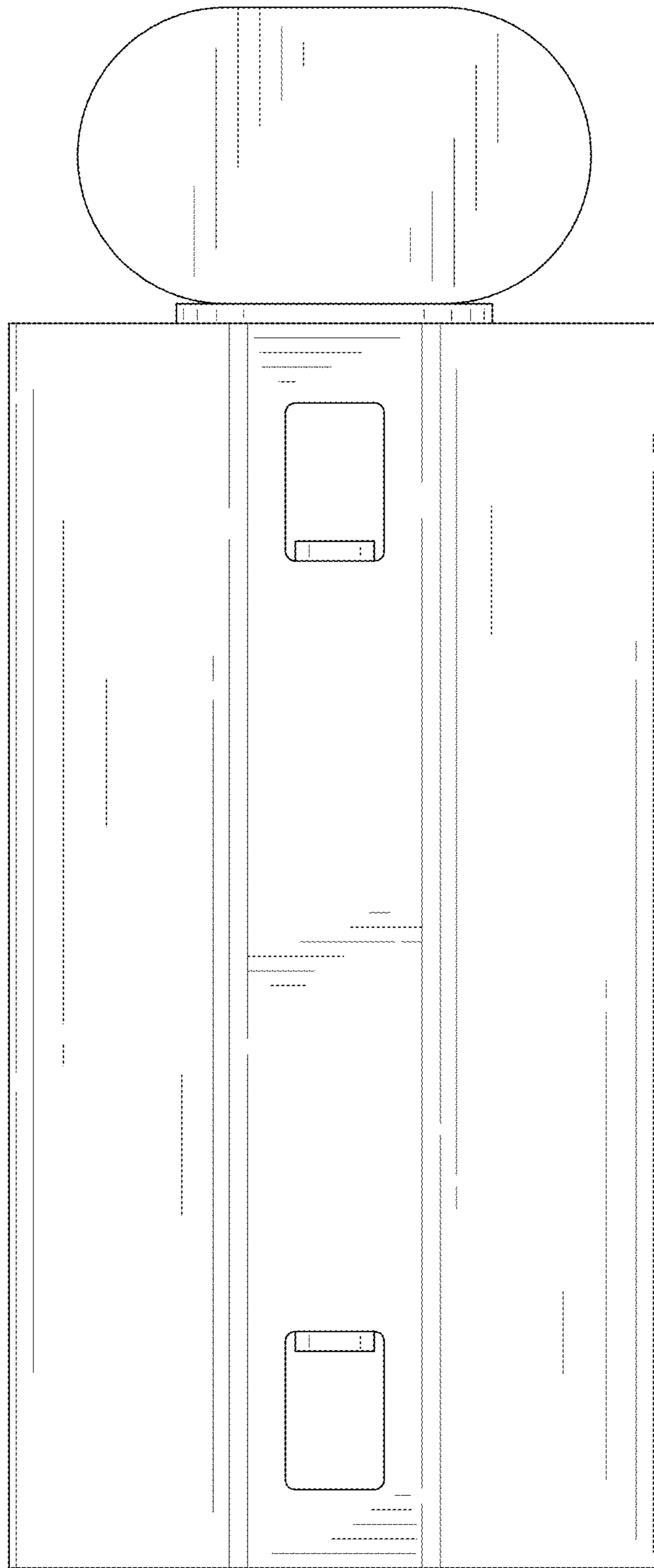


FIG. 4



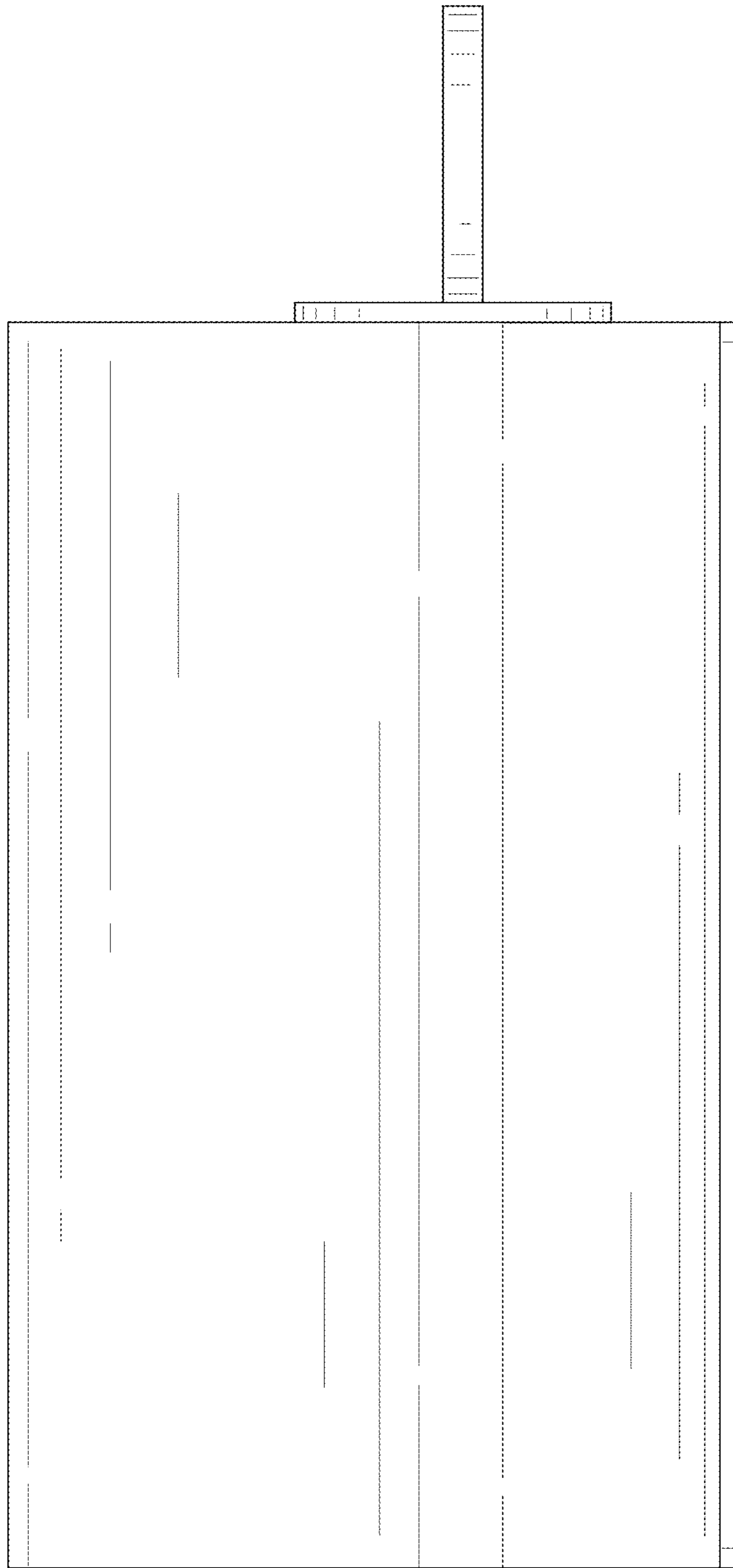


FIG. 5

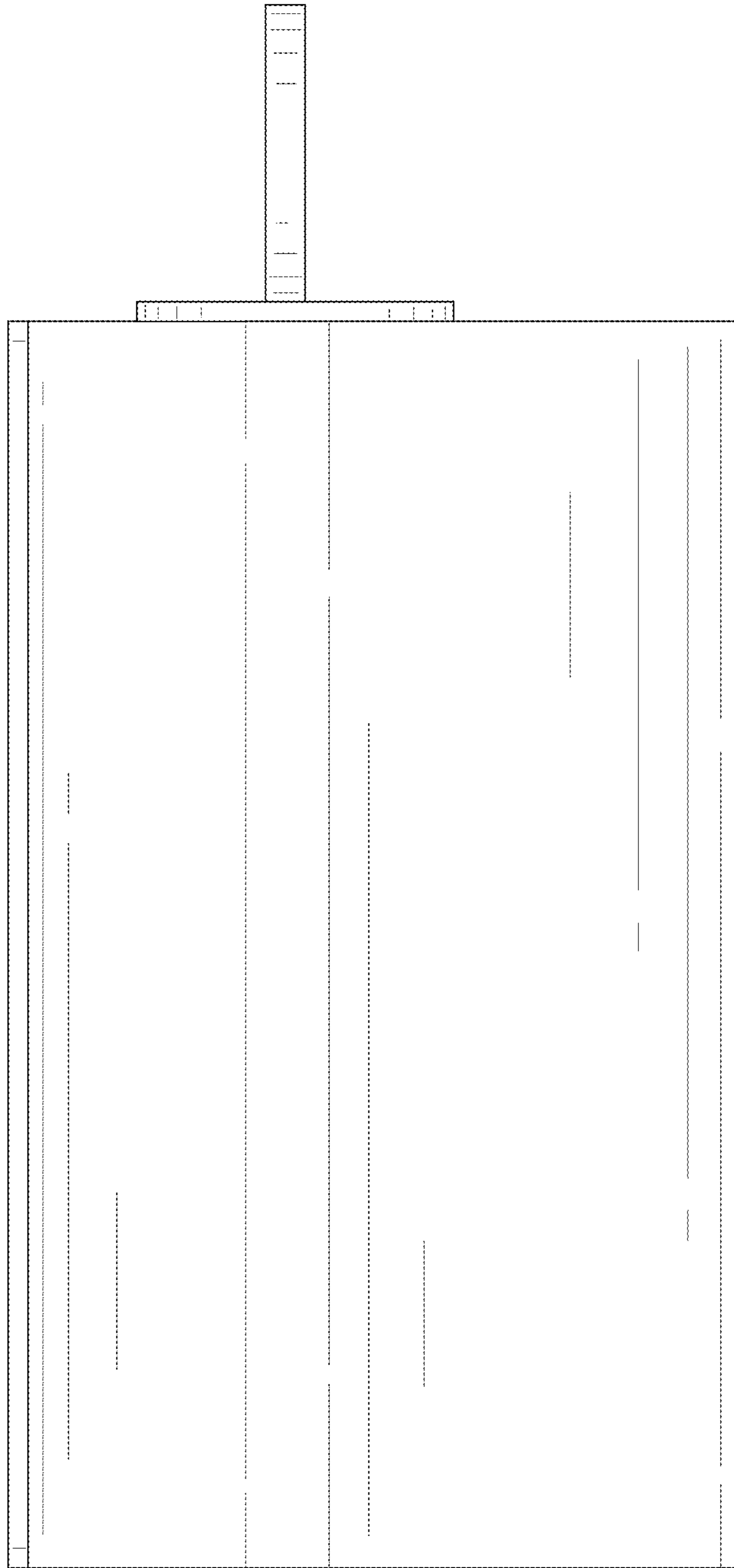


FIG. 6



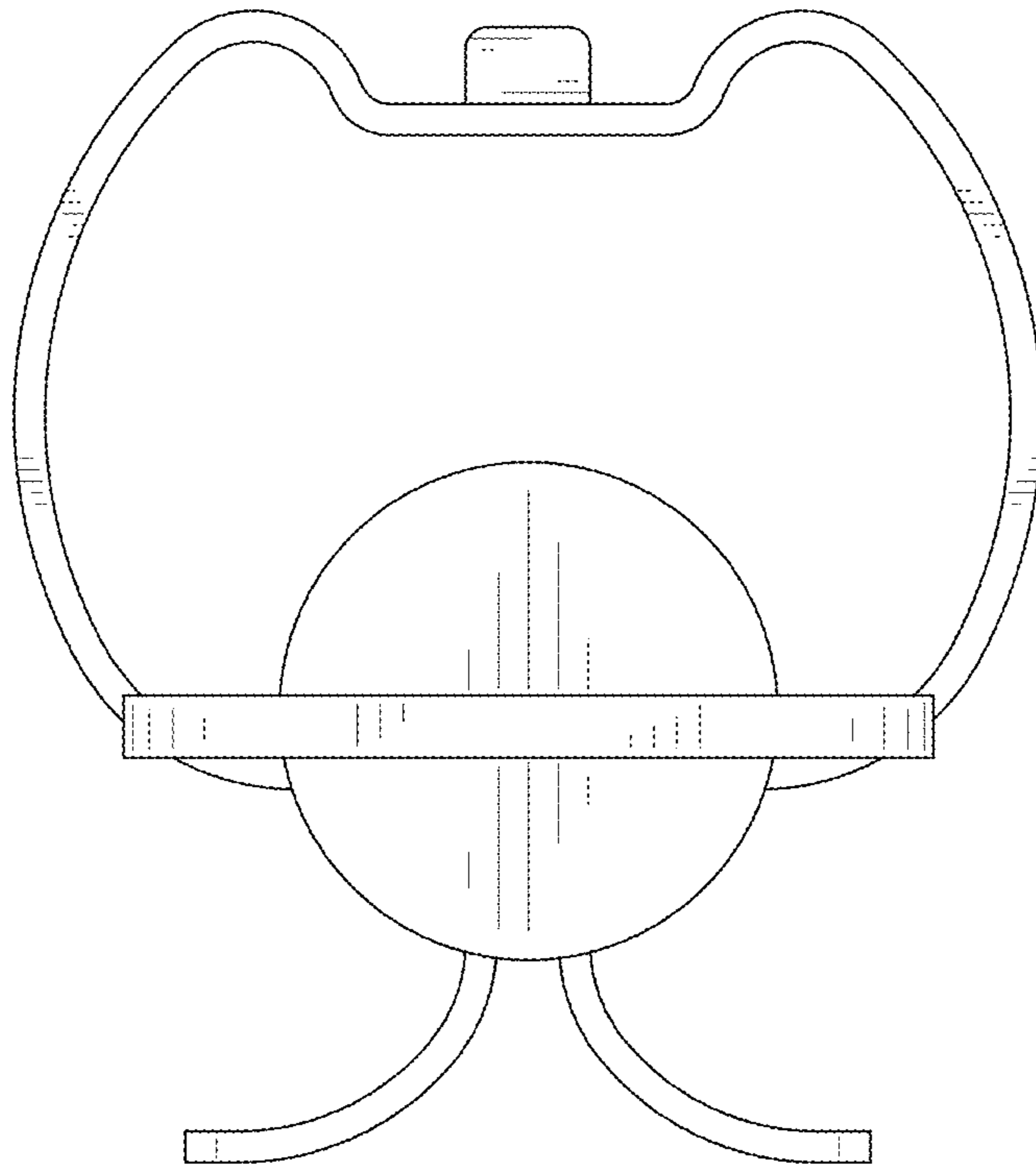


FIG. 7

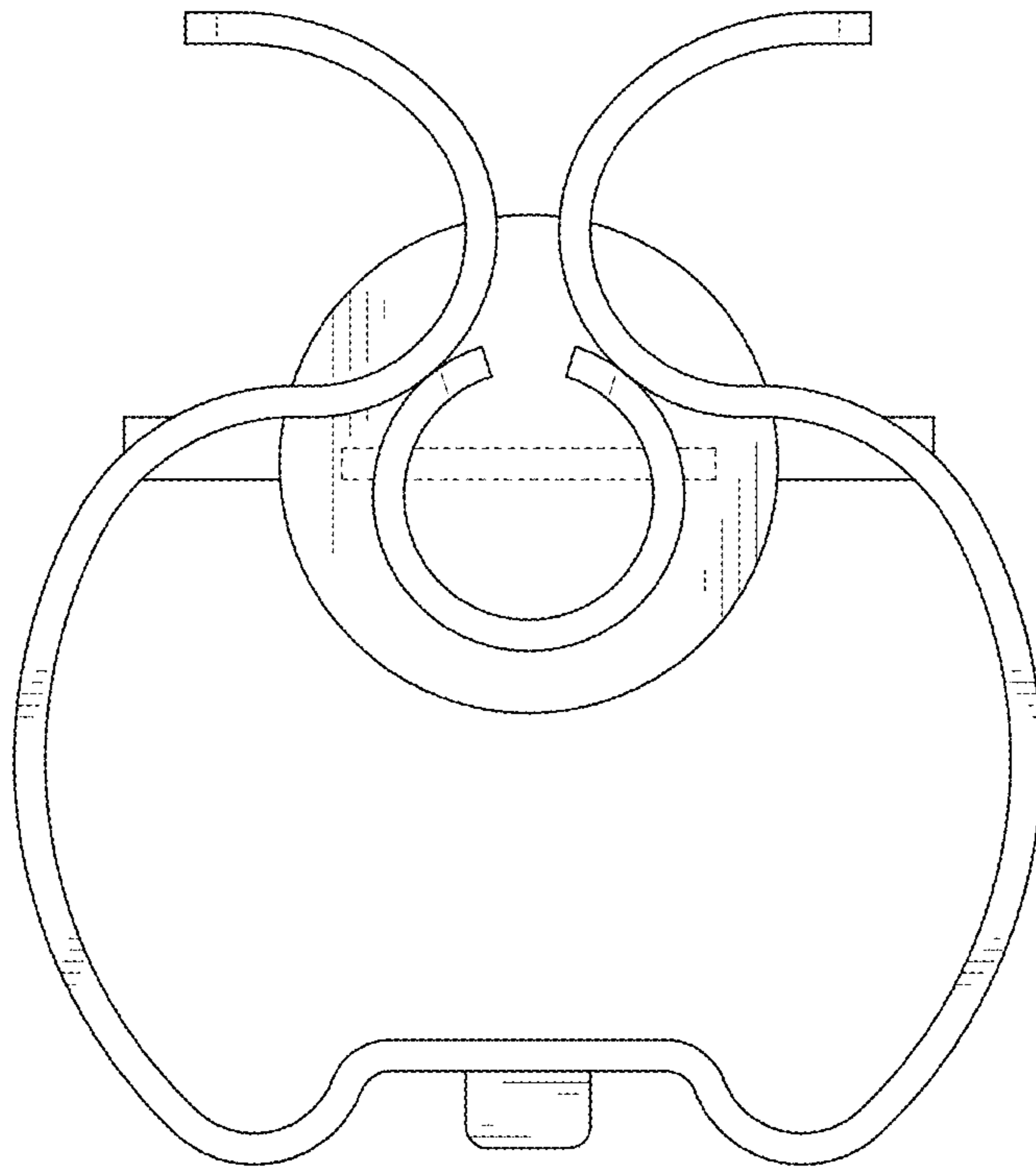


FIG. 8