



US00D906716S

(12) **United States Design Patent** (10) **Patent No.:** **US D906,716 S**  
**Smrstick** (45) **Date of Patent:** **\*\* Jan. 5, 2021**

(54) **SOFA**

(71) Applicant: **Blu Dot Design & Manufacturing, Inc.**, Minneapolis, MN (US)  
(72) Inventor: **Scott Smrstick**, Minneapolis, MN (US)  
(73) Assignee: **Blu Dot Design & Manufacturing, Inc.**, Minneapolis, MN (US)  
(\*\*) Term: **15 Years**

(21) Appl. No.: **29/681,425**  
(22) Filed: **Feb. 26, 2019**  
(51) **LOC (13) Cl.** ..... **06-01**  
(52) **U.S. Cl.**  
USPC ..... **D6/381**  
(58) **Field of Classification Search**  
USPC ..... D6/334, 374, 377, 378, 381  
CPC ..... A47C 17/00; A47C 17/02; A47C 17/86  
See application file for complete search history.

(56) **References Cited**

**U.S. PATENT DOCUMENTS**

2,544,787	A *	3/1951	Hand	.....	A47C 17/02 297/3
D448,946	S	10/2001	Goetz		
D484,712	S *	1/2004	Gomez	.....	D6/377
D484,713	S *	1/2004	Gomez	.....	D6/381
D485,086	S *	1/2004	Gomez	.....	D6/381
D554,387	S *	11/2007	Nicoletti	.....	D6/381
D559,003	S	1/2008	Lissoni		
D676,683	S	2/2013	Martin et al.		
D698,177	S *	1/2014	Nguyen	.....	D6/381
D698,179	S	1/2014	Nguyen et al.		
D699,451	S	2/2014	Beucler et al.		
D702,957	S	4/2014	Natuzzi		
D807,660	S	1/2018	Hughes		
D854,851	S	7/2019	Smrstick		
D868,487	S	12/2019	Vaughan		
D878,797	S	3/2020	Killinger		
2016/0245005	A1	8/2016	Tsuchiyama et al.		

**OTHER PUBLICATIONS**

Blu Dot Catalog No. 16, Designed in Minneapolis, Minnesota, published 2015, 44 pgs.  
Blu Dot Catalog No. 17, Designed in Minneapolis, Minnesota, published 2015, 52 pgs.  
Blu Dot Catalog No. 18, Designed in Minneapolis, Minnesota, published 2016, 51 pgs.  
Blu Dot Catalog No. 19, Designed in Minneapolis, Minnesota, published 2016, 54 pgs.

(Continued)

*Primary Examiner* — Cathron C Brooks  
(74) *Attorney, Agent, or Firm* — Fredrikson & Byron, P.A.

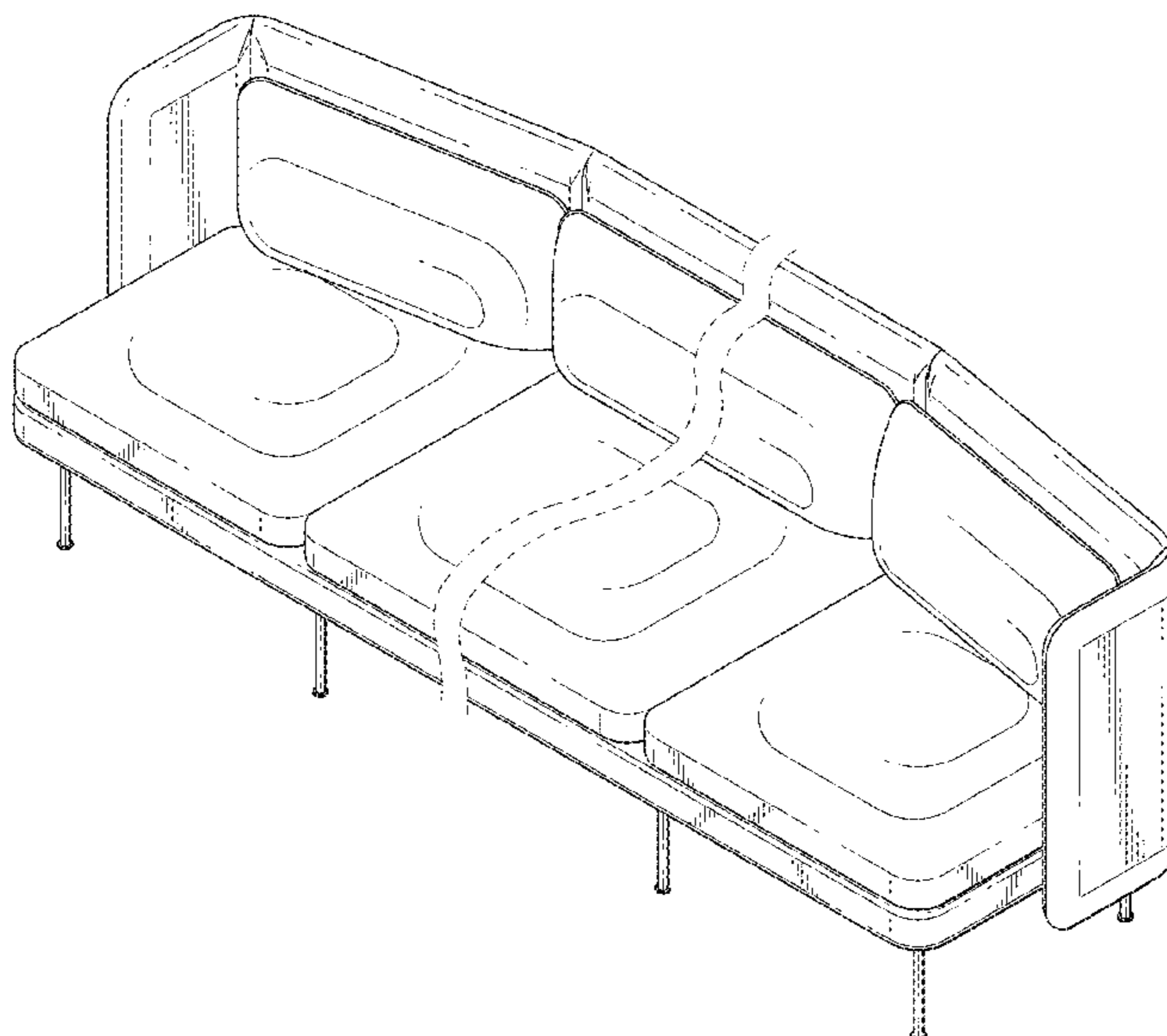
(57) **CLAIM**

Applicant claims the ornamental design for a sofa, as shown and described.

**DESCRIPTION**

FIG. 1 is a front upper perspective view of a sofa of Applicant's design;  
FIG. 2 is a front elevational view thereof;  
FIG. 3 is a rear elevational view thereof;  
FIG. 4 is a first side elevational view thereof;  
FIG. 5 is a second side elevational view thereof, the second side elevational view being opposite the first side elevational view;  
FIG. 6 is a top plan view thereof; and,  
FIG. 7 is a bottom plan view thereof.  
Where included, broken lines showing environment or structure are for illustrative purposes only and form no part of the claimed design.  
The appearance of any portion of the sofa between the break lines forms no part of the claimed design.

**1 Claim, 6 Drawing Sheets**



(56)

**References Cited**

OTHER PUBLICATIONS

Blu Dot Catalog No. 21, Cat 17F-Book A, Designed in Minneapolis, Minnesota, Applicant believes reference was published and available more than one year prior to the filing date of the instant application, 51 pgs.

Blu Dot Catalog No. 21, Cat 17F-Book B, Designed in Minneapolis, Minnesota, Applicant believes reference was published and available more than one year prior to the filing date of the instant application, 51 pgs.

Blu Dot Catalog No. 22, Cat 18S-Book B, Designed in Minneapolis, Minnesota, Applicant believes reference was published and available more than one year prior to the filing date of the instant application, 33 pgs.

Blu Dot Catalog No. 22, Cat18Sm\_RGB, Designed in Minneapolis, Minnesota, Applicant believes reference was published and available more than one year prior to the filing date of the instant application, 33 pgs.

Blu Dot on Instagram: “New Bloke Collection. Fit for the Queen or keggers, Bloke is a sophisticate that knows how to have a lot of fun . . .”, announced May 24, 2018 [online], [site visited Mar. 20, 2020]. Available from internet, URL: <[https://www.instagram.com/p/BjKwLhPhs\\_C/](https://www.instagram.com/p/BjKwLhPhs_C/)> (Year: 2018), 2 pgs.

Soderhamn Armchair [archived online]. Available from internet, URL: <<https://web.archive.org/web/20170716221437/http://www.ikea.com/us/en/catalog/products/S79135652>> (Year: 2017), 2 pgs.

\* cited by examiner

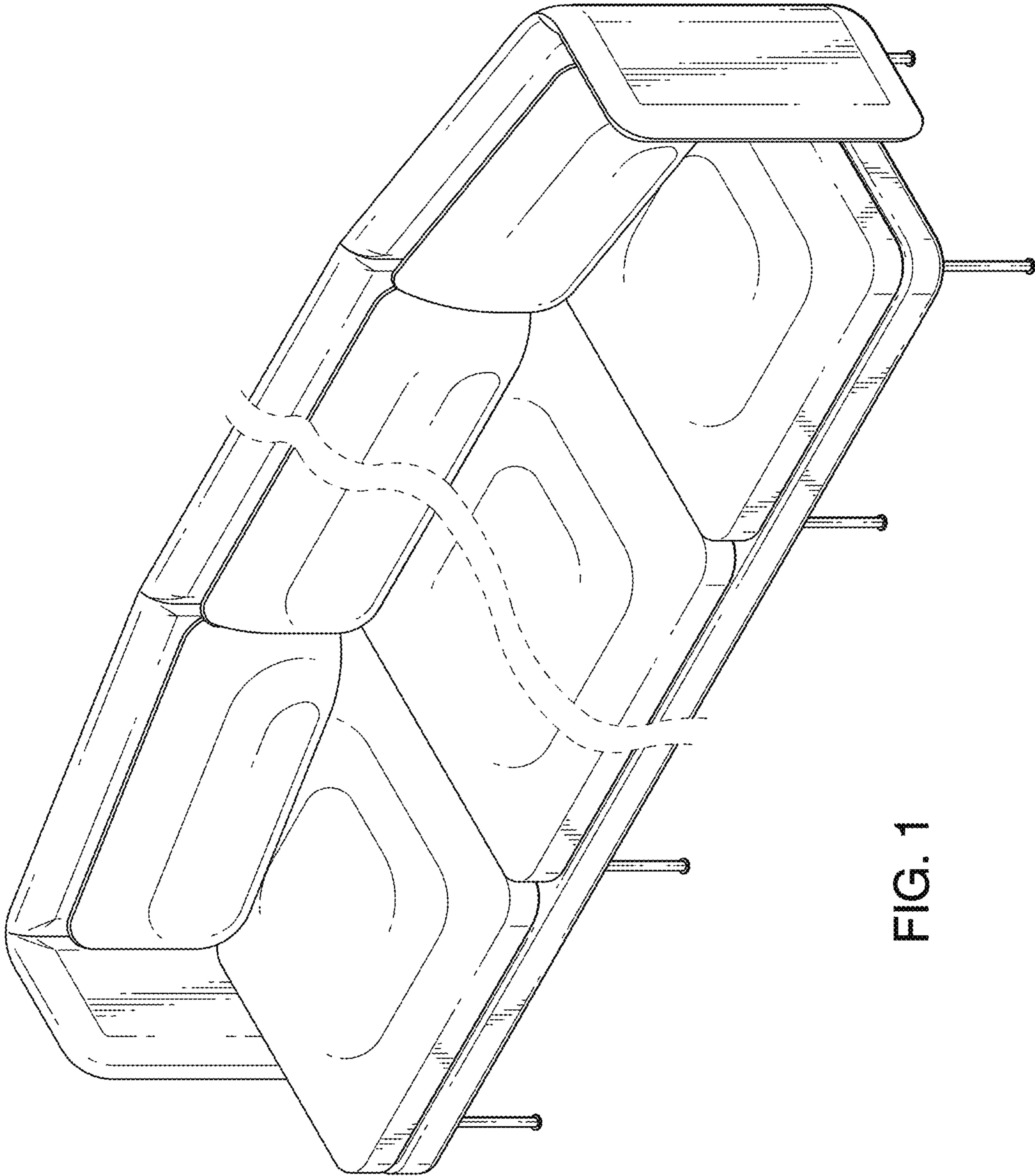


FIG. 1

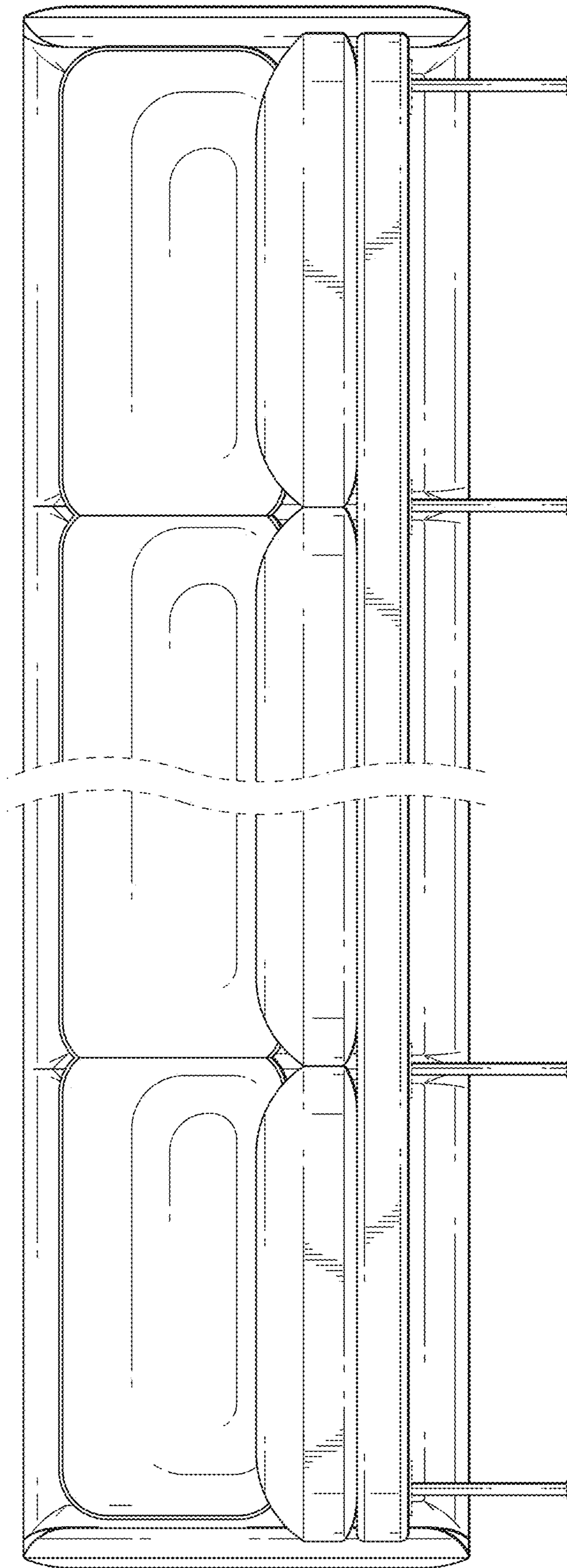


FIG. 2

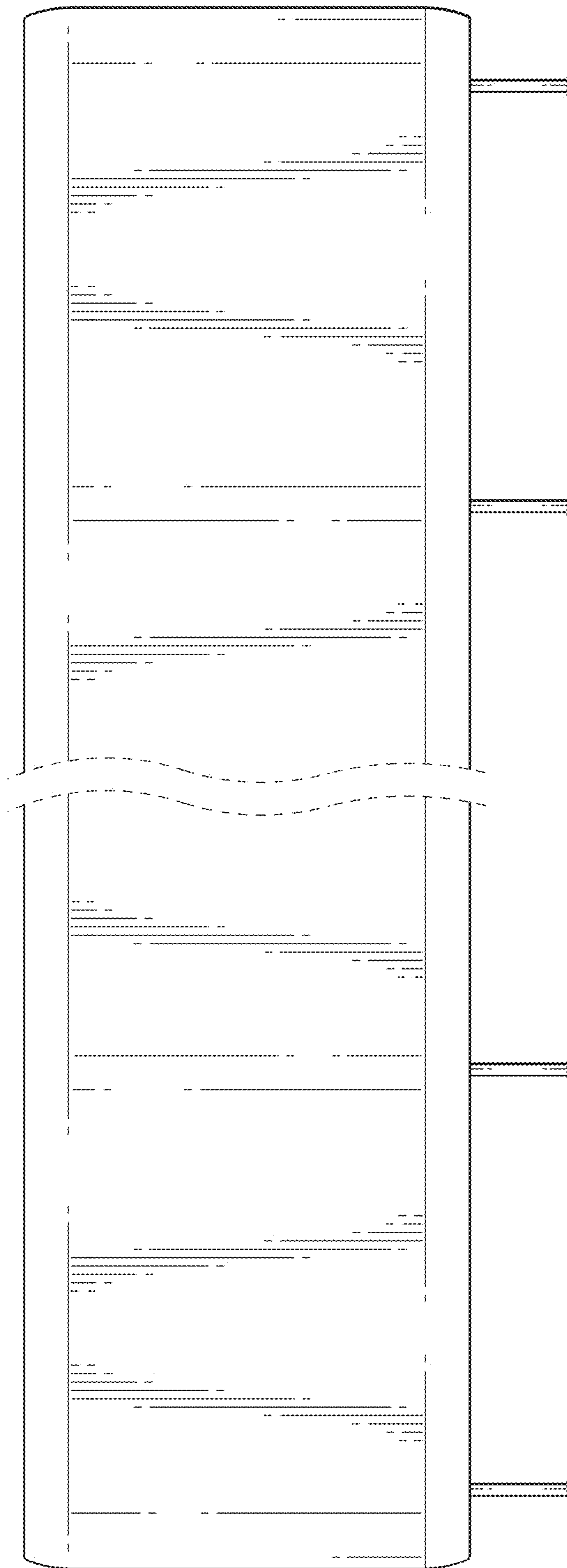


FIG. 3

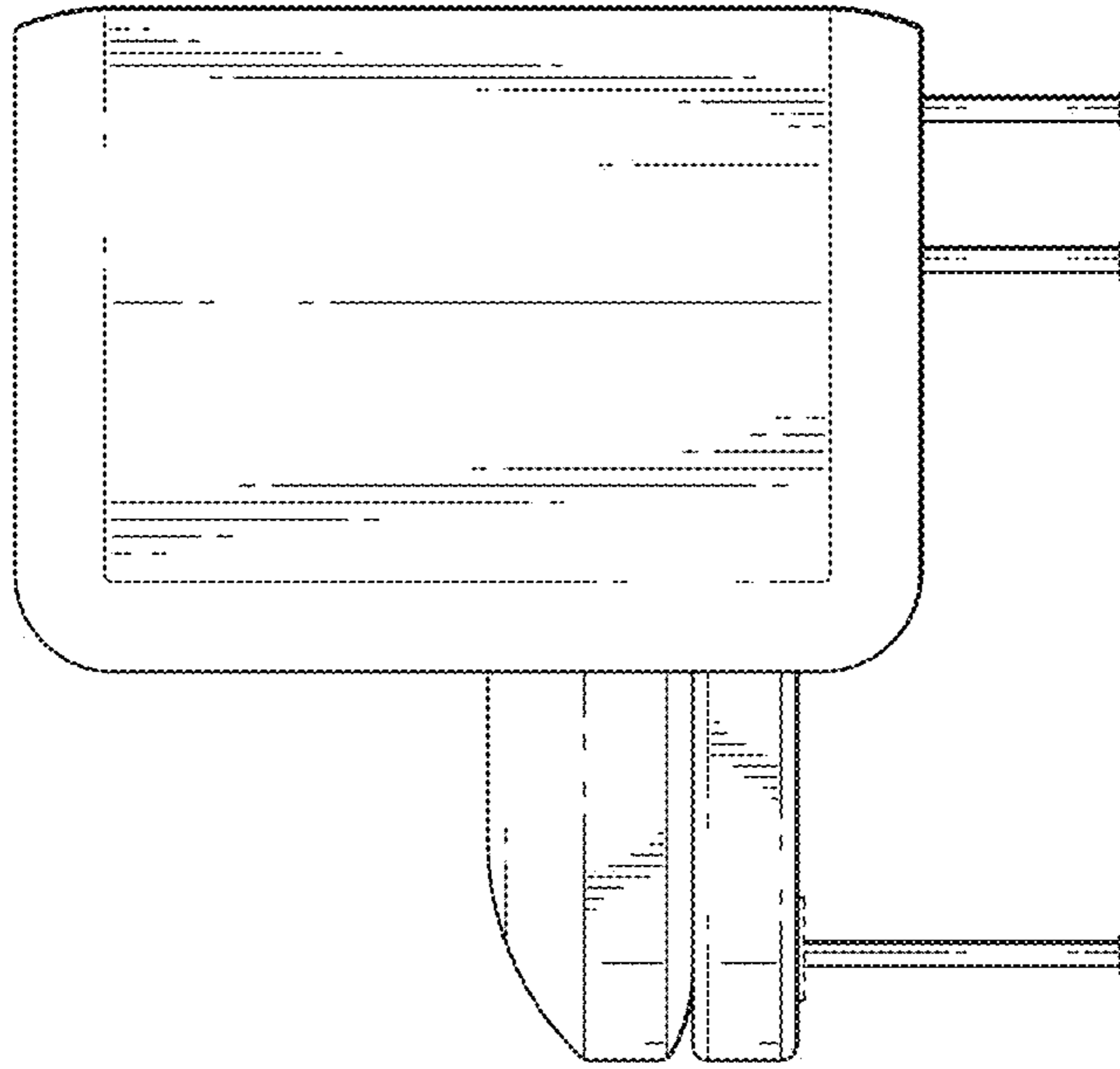


FIG. 5

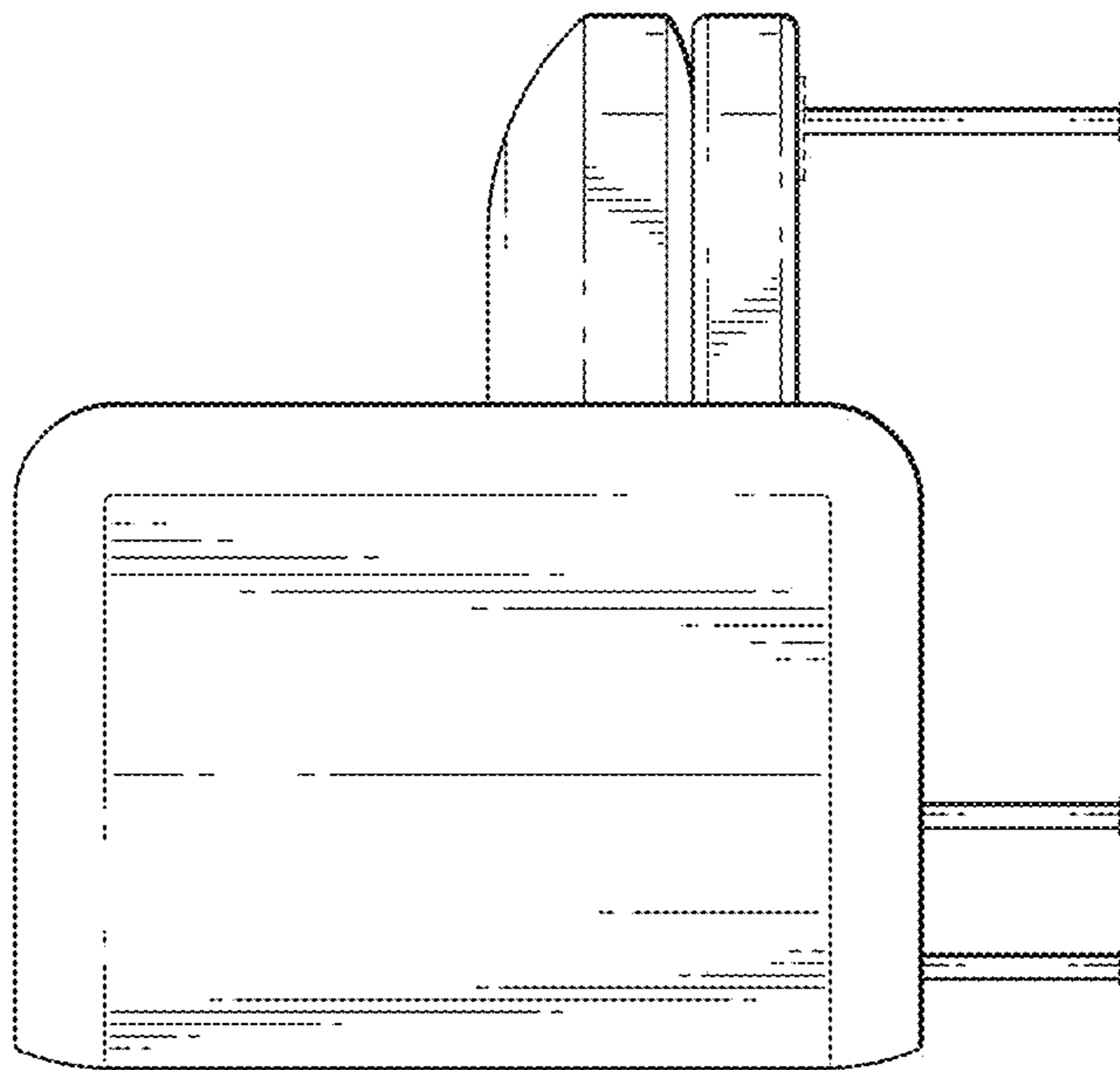


FIG. 4

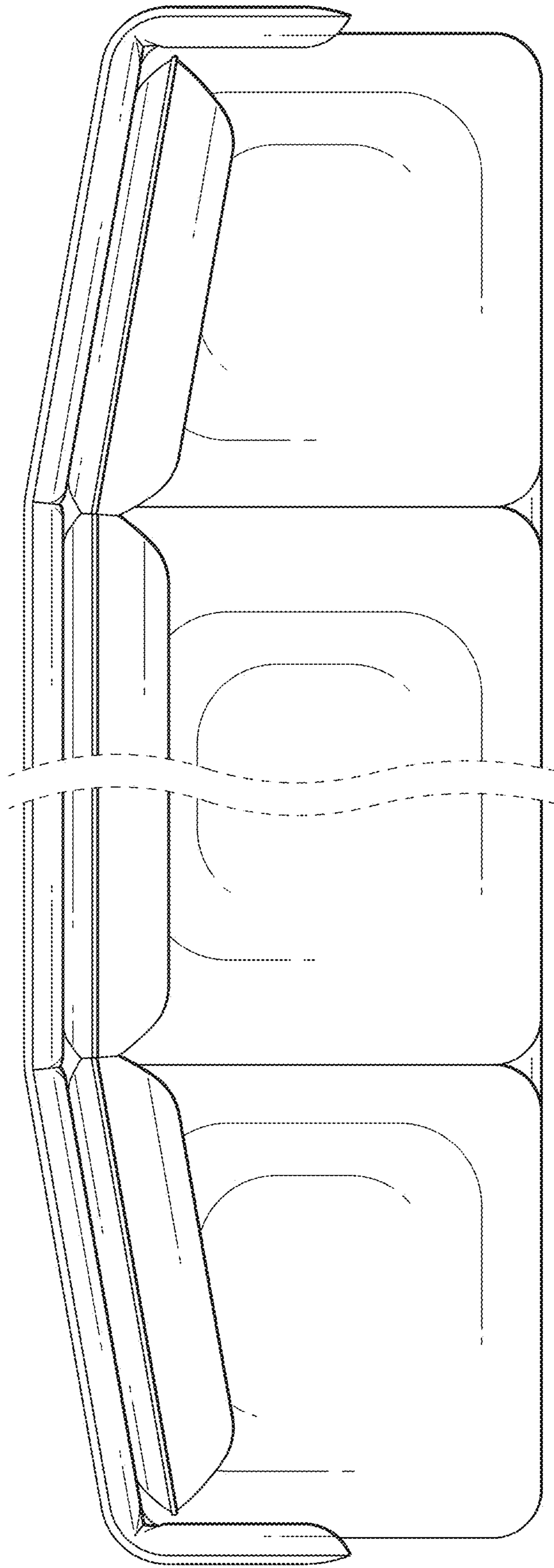


FIG. 6

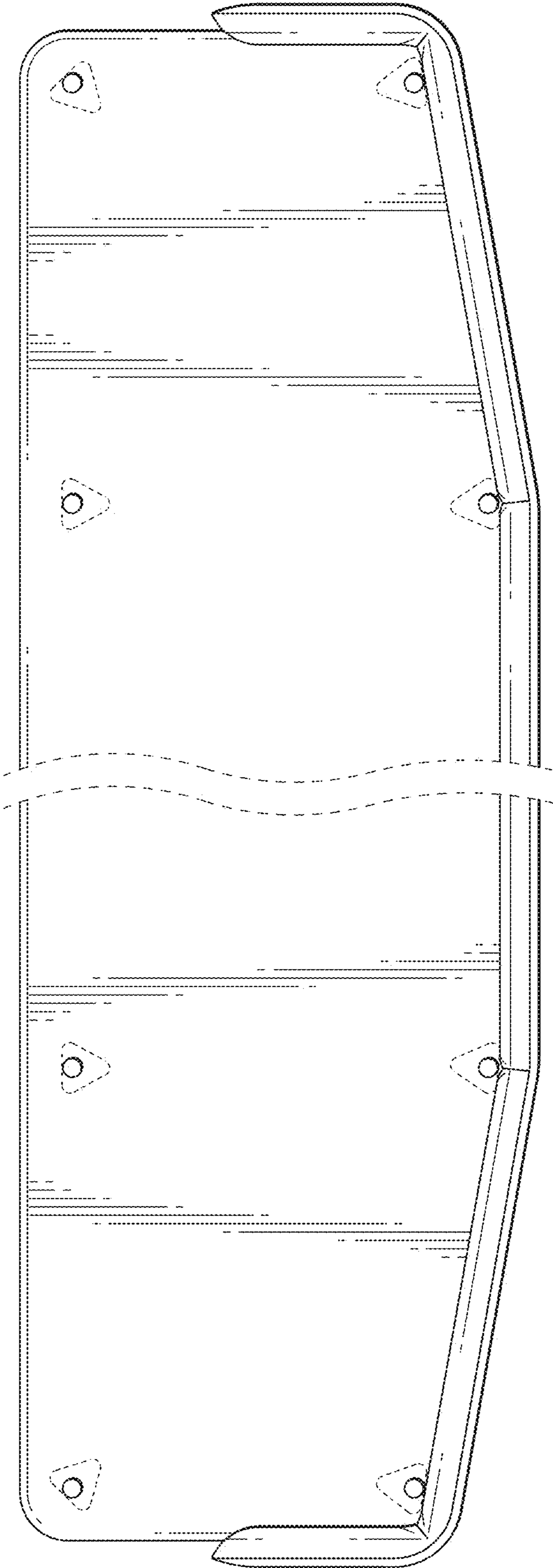


FIG. 7