



US00D906711S

(12) **United States Design Patent**
Li

(10) **Patent No.:** **US D906,711 S**

(45) **Date of Patent:** **** Jan. 5, 2021**

(54) **CHAIR**

(71) Applicant: **39F USA INC**, Rancho Cucamonga, CA (US)

(72) Inventor: **Yuehai Li**, Rancho Cucamonga, CA (US)

(**) Term: **15 Years**

(21) Appl. No.: **29/715,870**

(22) Filed: **Dec. 5, 2019**

(51) **LOC (13) Cl.** **06-01**

(52) **U.S. Cl.**
USPC **D6/366**

(58) **Field of Classification Search**
USPC D6/334, 364, 365, 366, 369, 375, 379, D6/716.1, 716.7
CPC A47C 3/12; A47C 3/18; A47C 3/20; A47C 5/02; A47C 7/24; A47C 7/36; A47C 7/46
See application file for complete search history.

(56) **References Cited**

U.S. PATENT DOCUMENTS

D281,840 S * 12/1985 Ogg D6/366
D657,152 S * 4/2012 Lievore D6/366

D689,707 S * 9/2013 Mo D6/366
D698,590 S * 2/2014 Nakamura D6/716
D717,555 S * 11/2014 Massaud D6/364
D730,098 S * 5/2015 Kubryk D6/716
D761,578 S * 7/2016 Neil D6/366
D817,056 S * 5/2018 Neil D6/716
D859,867 S * 9/2019 Young D6/366
D880,884 S * 4/2020 Li D6/366
D880,885 S * 4/2020 Li D6/366

* cited by examiner

Primary Examiner — R. Johnson

(74) *Attorney, Agent, or Firm* — Feng Qian

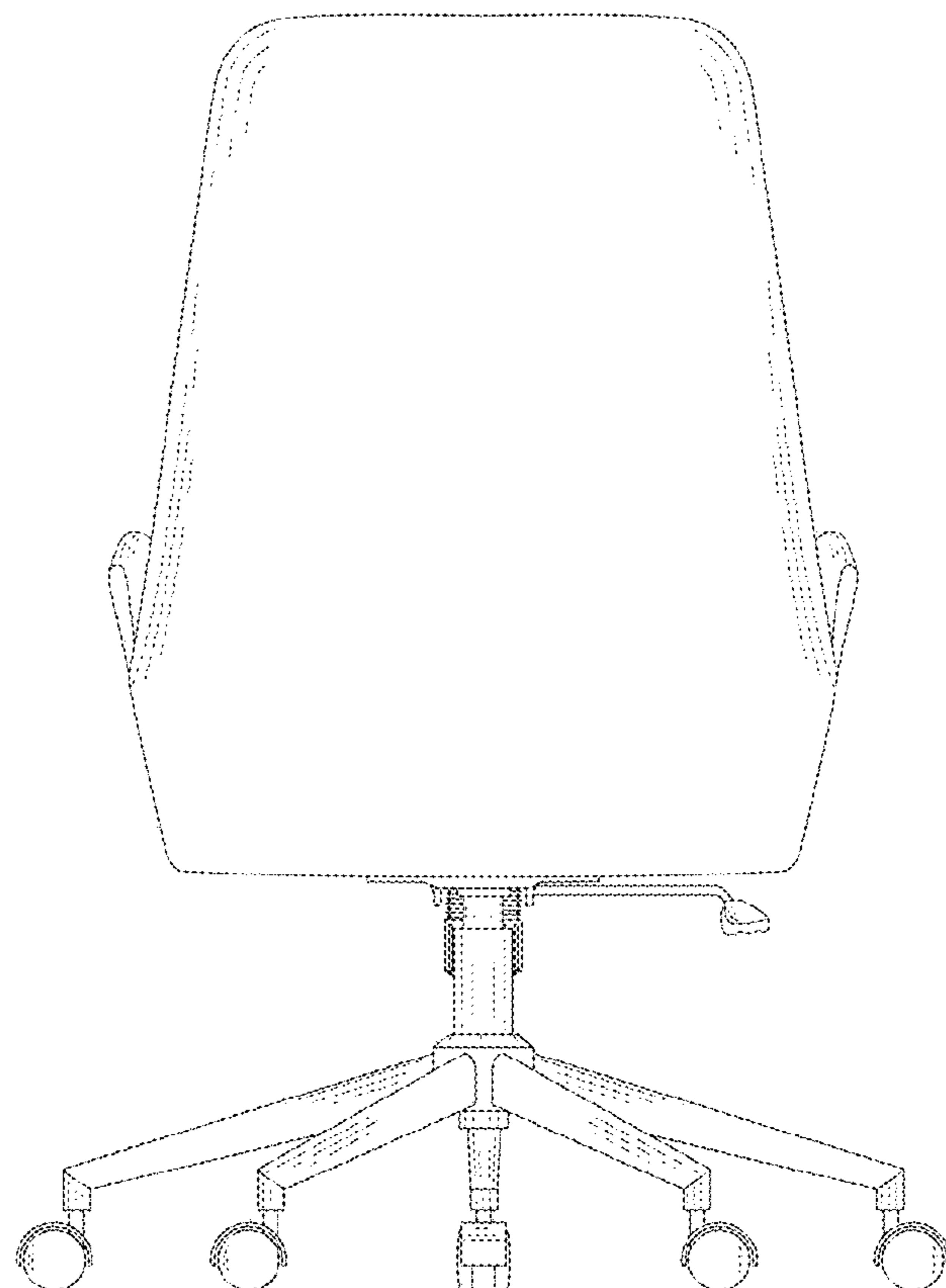
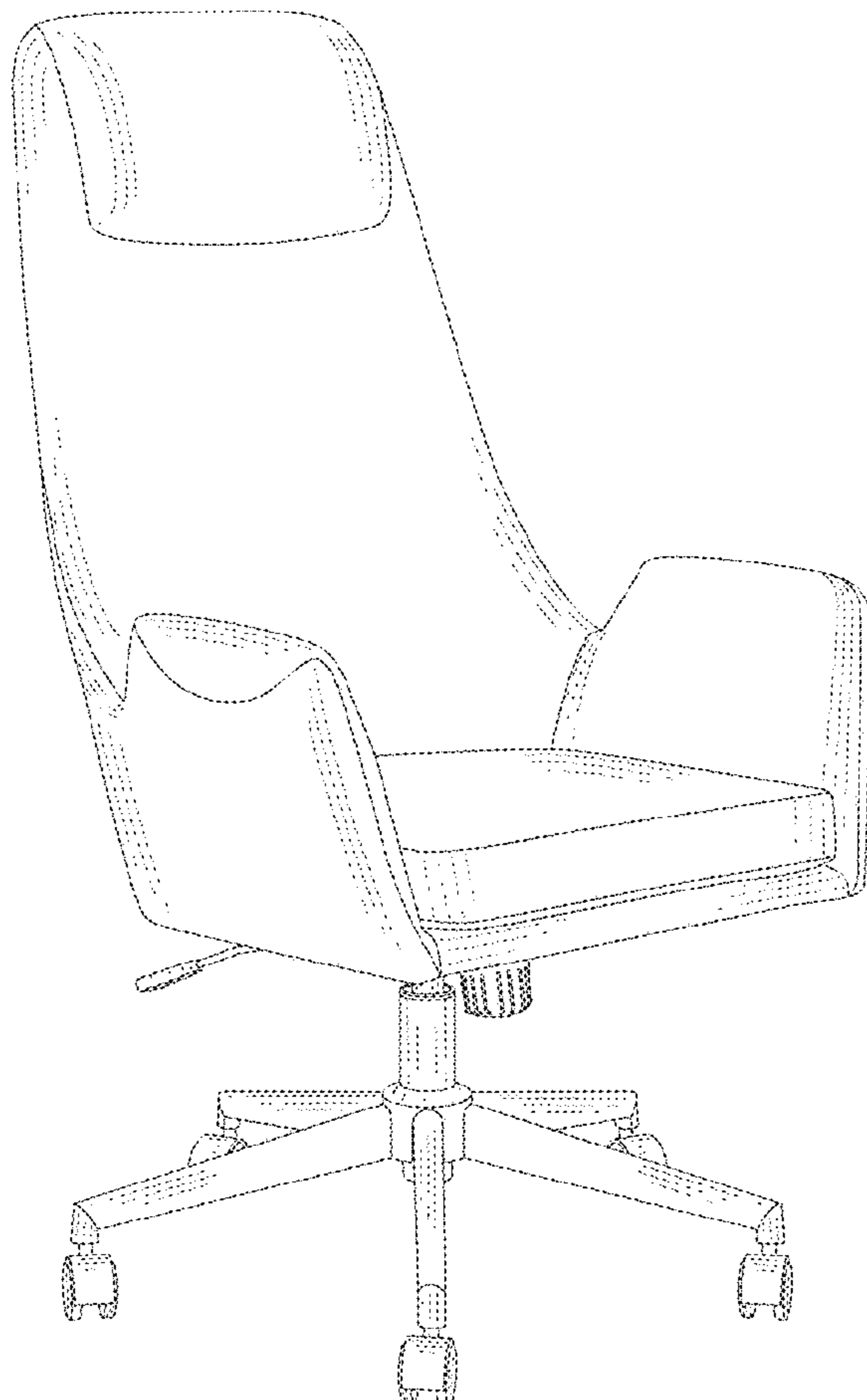
(57) **CLAIM**

The ornamental design for a chair, as shown and described.

DESCRIPTION

FIG. 1 is a front perspective view of a chair showing my new design;
FIG. 2 is a front elevation view thereof;
FIG. 3 is a rear elevation view thereof;
FIG. 4 is a left-side elevation view thereof;
FIG. 5 is a right-side elevation view thereof;
FIG. 6 is a top plan view thereof; and,
FIG. 7 is a bottom plan view thereof.

1 Claim, 7 Drawing Sheets



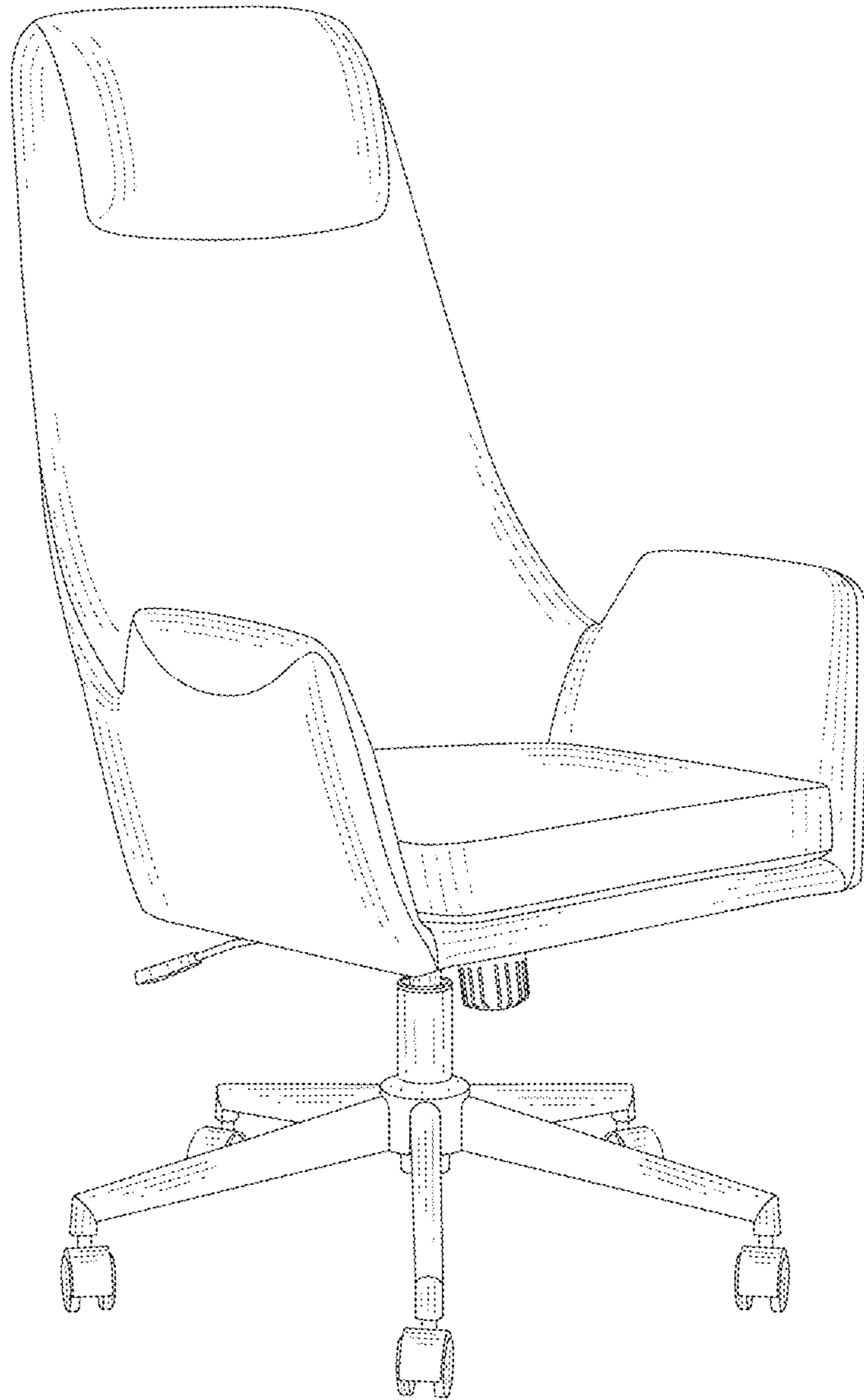


Fig.1

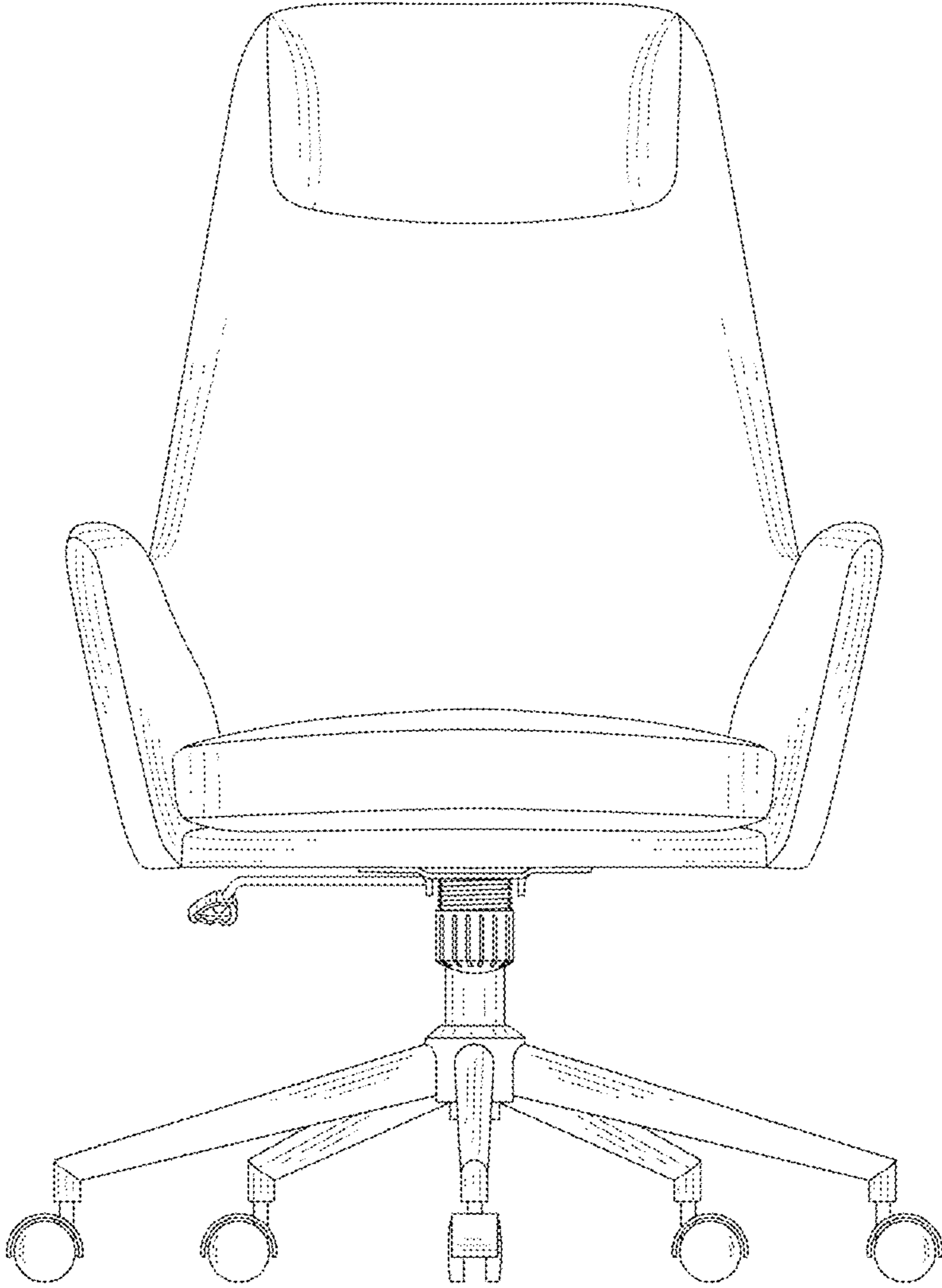


Fig.2

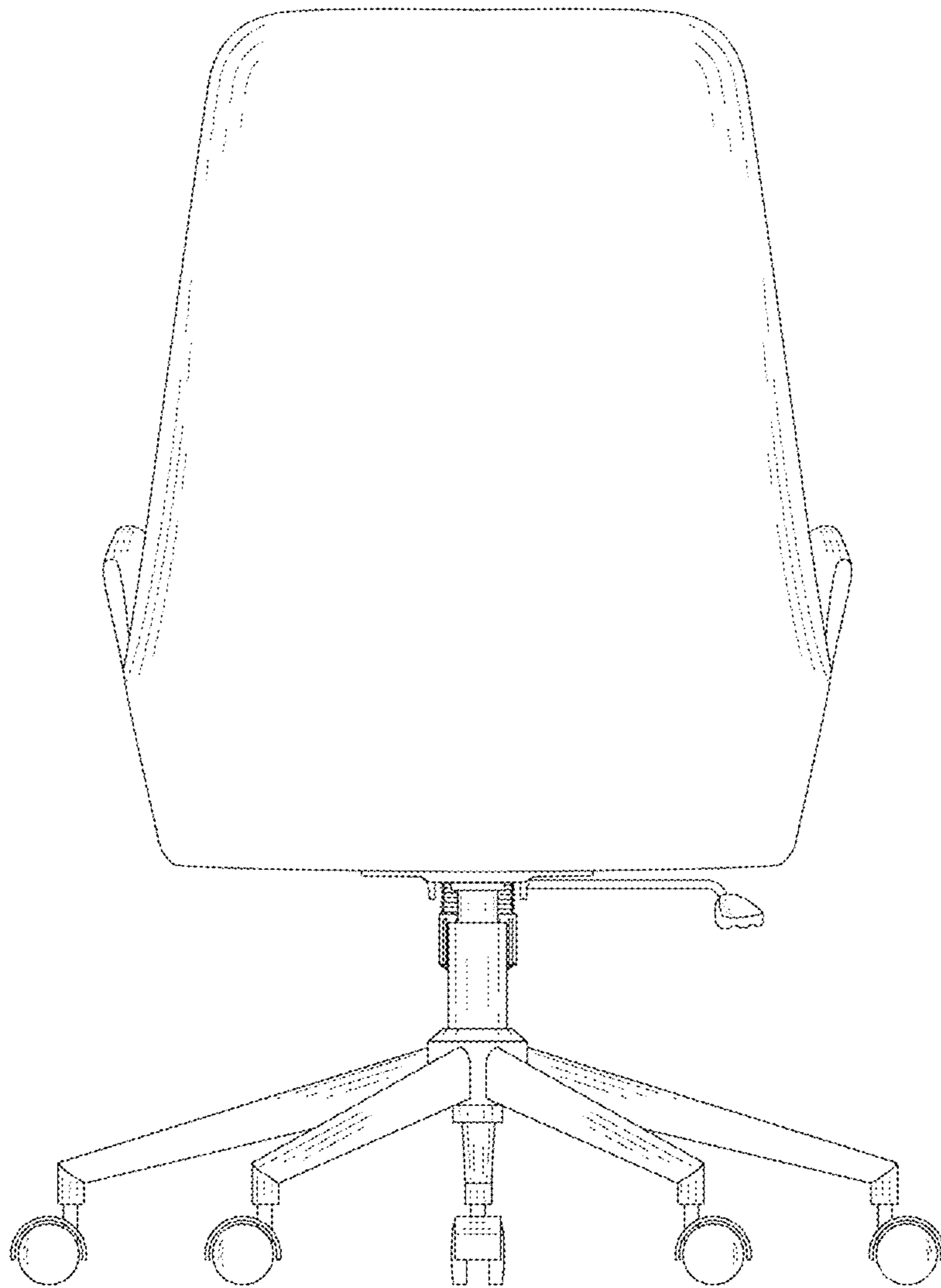


Fig.3

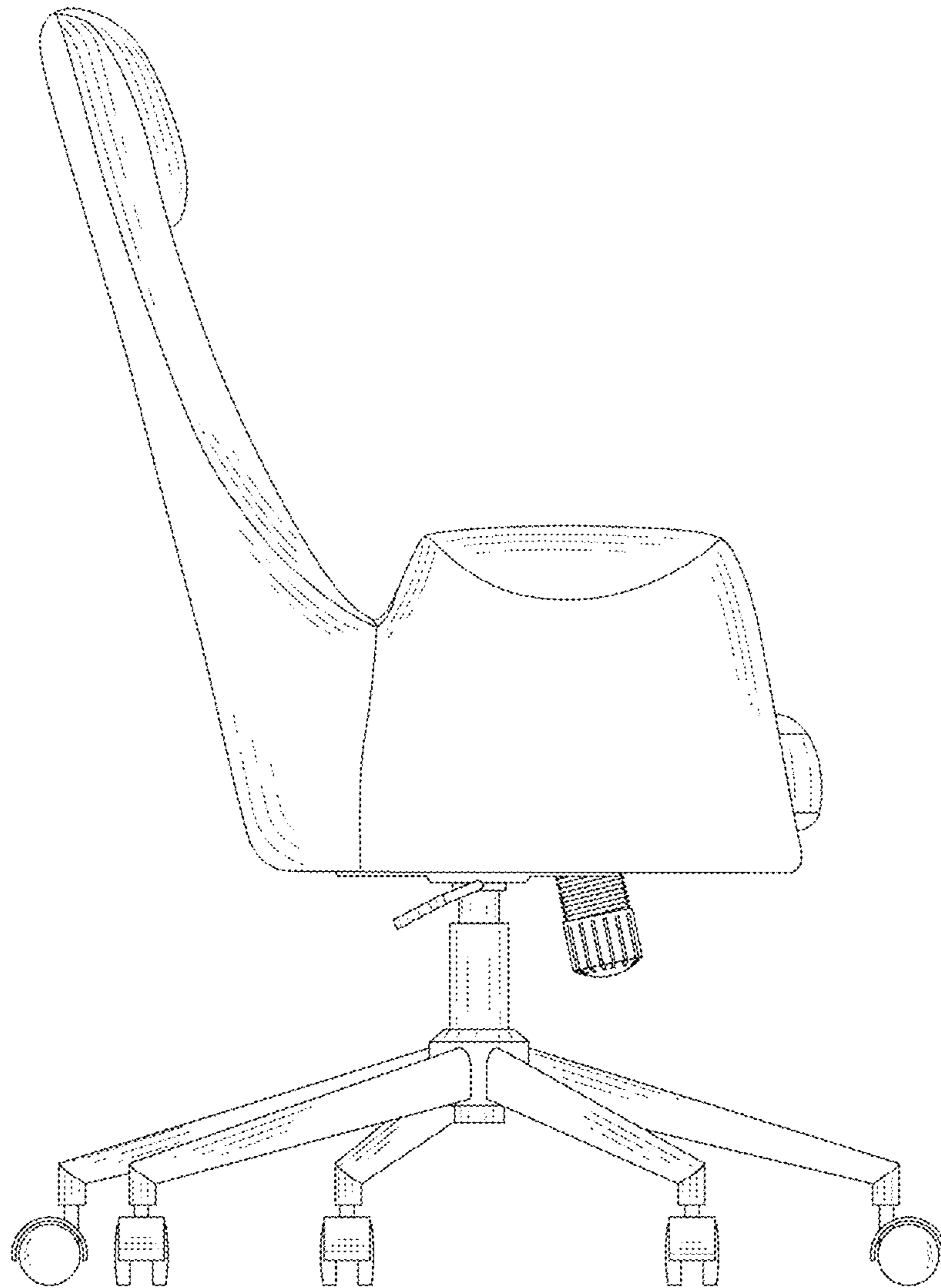


Fig.4

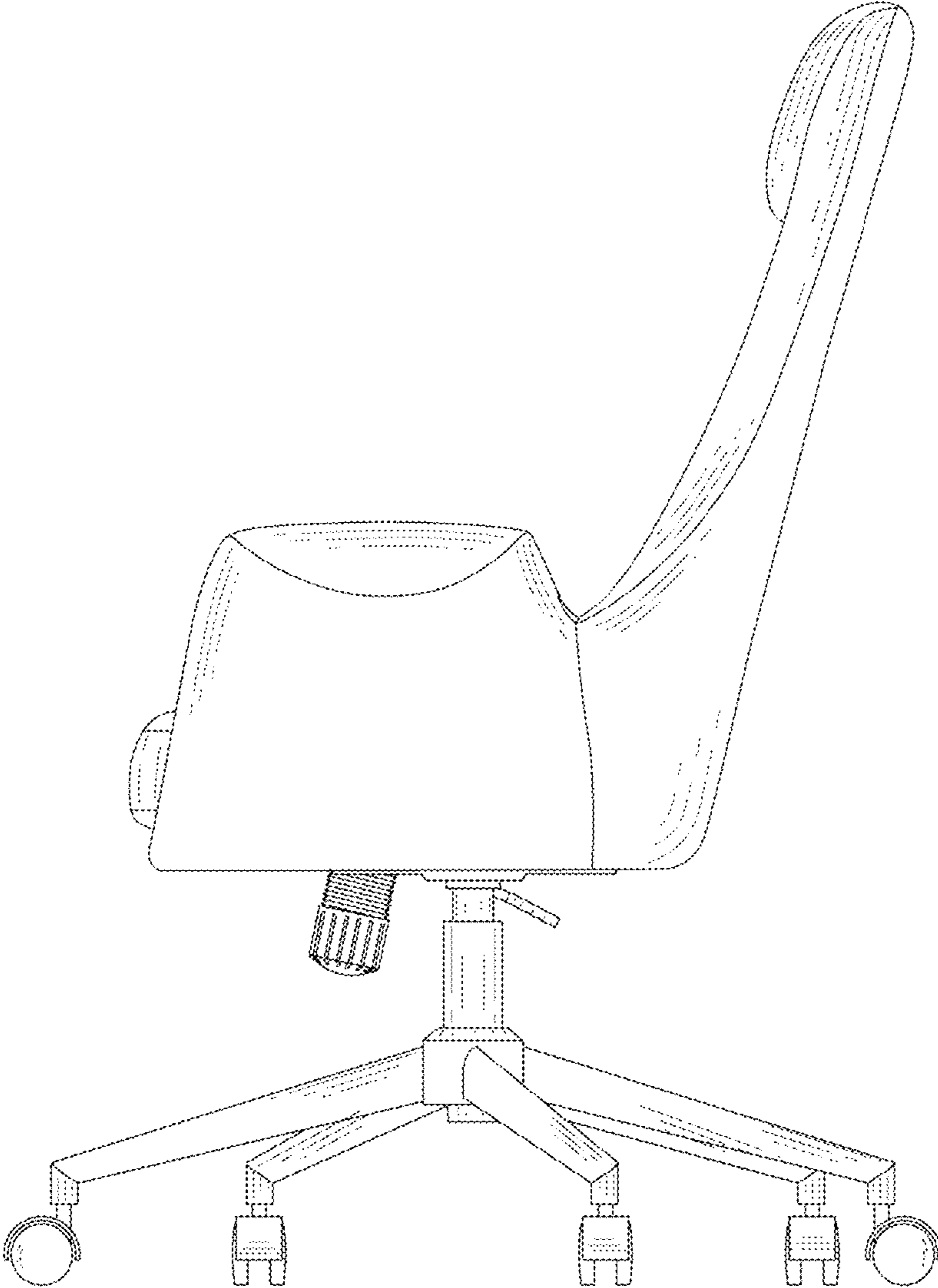


Fig.5

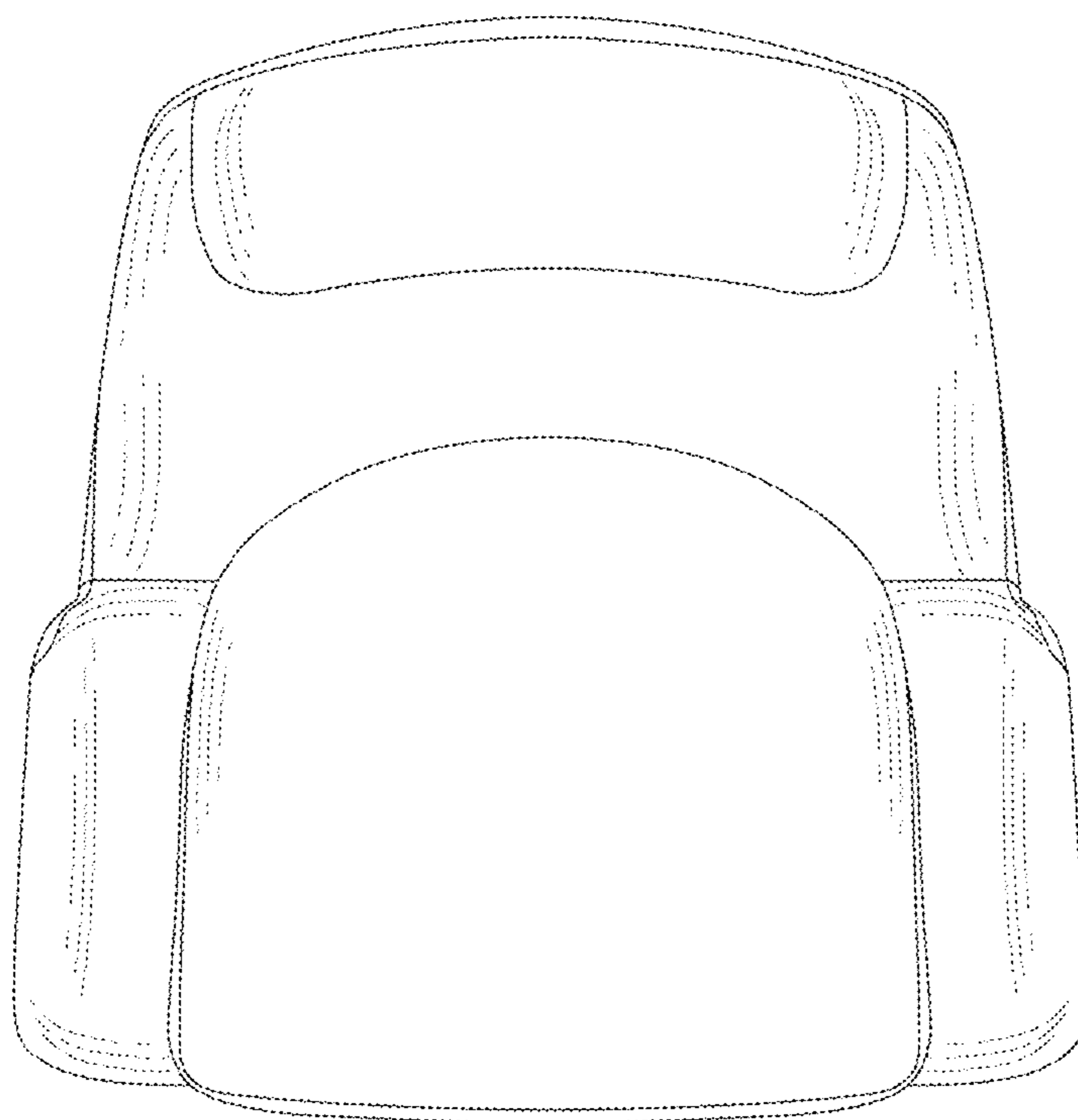


Fig.6

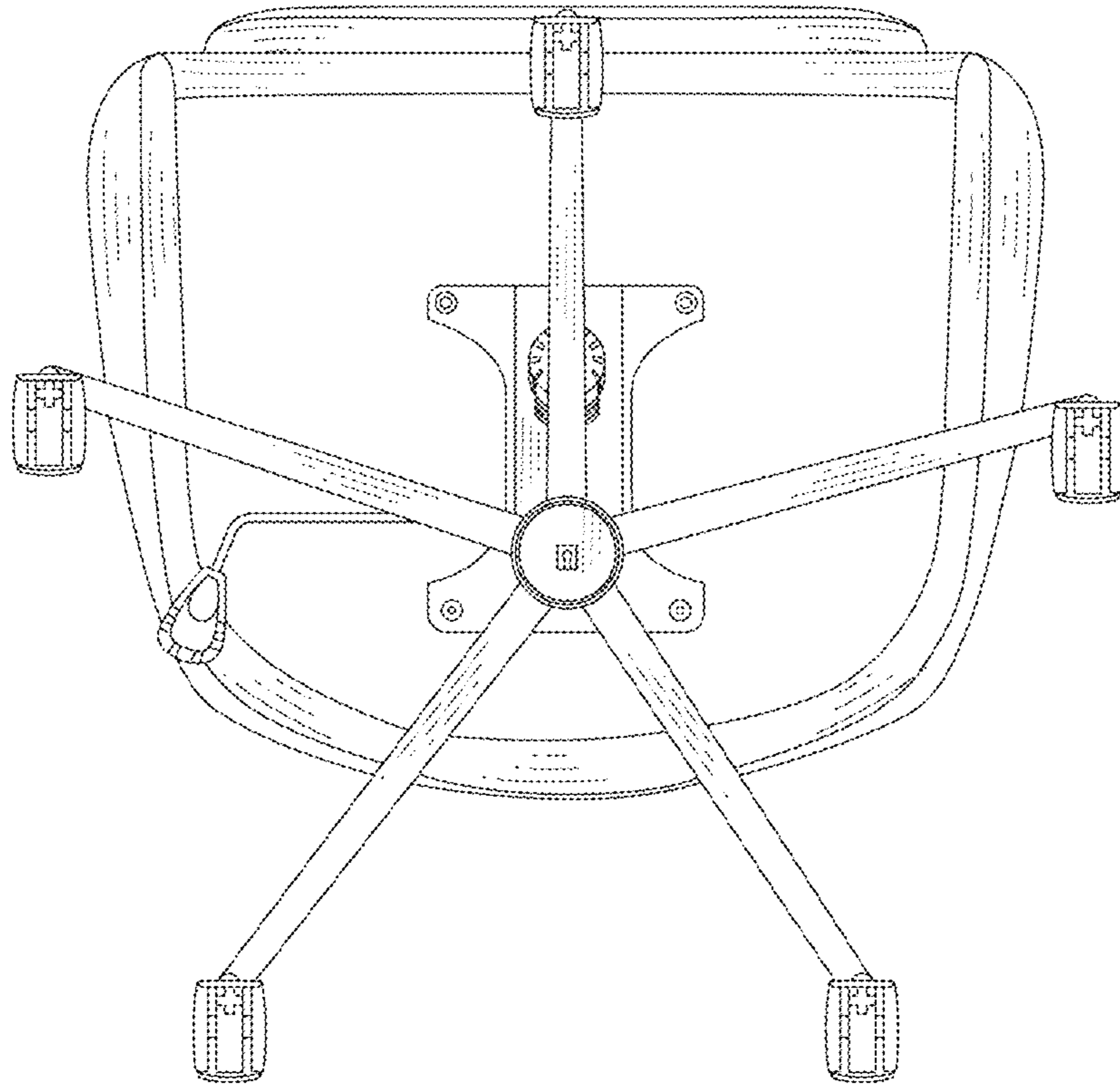


Fig.7