



US00D906710S

(12) **United States Design Patent**  
**Li**

(10) **Patent No.:** **US D906,710 S**

(45) **Date of Patent:** **\*\* Jan. 5, 2021**

(54) **CHAIR**

(71) Applicant: **39F USA INC**, Rancho Cucamonga, CA (US)

(72) Inventor: **Yuehai Li**, Rancho Cucamonga, CA (US)

(\*\*) Term: **15 Years**

(21) Appl. No.: **29/715,868**

(22) Filed: **Dec. 5, 2019**

(51) **LOC (13) Cl.** ..... **06-01**

(52) **U.S. Cl.**  
USPC ..... **D6/366**

(58) **Field of Classification Search**  
USPC ..... D6/334, 364, 365, 366, 369, 375, 379, D6/716.1, 716.7  
CPC .... A47C 3/12; A47C 3/18; A47C 3/20; A47C 5/02; A47C 7/24; A47C 7/36; A47C 7/46  
See application file for complete search history.

(56) **References Cited**

**U.S. PATENT DOCUMENTS**

D281,840 S \* 12/1985 Ogg ..... D6/366  
D657,152 S \* 4/2012 Lievore ..... D6/366

D689,707 S \* 9/2013 Mo ..... D6/366  
D698,590 S \* 2/2014 Nakamura ..... D6/716  
D717,555 S \* 11/2014 Massaud ..... D6/364  
D730,098 S \* 5/2015 Kubryk ..... D6/716  
D761,578 S \* 7/2016 Neil ..... D6/366  
D817,056 S \* 5/2018 Neil ..... D6/716  
D859,867 S \* 9/2019 Young ..... D6/366  
D880,884 S \* 4/2020 Li ..... D6/366  
D880,885 S \* 4/2020 Li ..... D6/366

\* cited by examiner

*Primary Examiner* — R. Johnson

(74) *Attorney, Agent, or Firm* — Feng Qian

(57) **CLAIM**

The ornamental design for a chair, as shown and described.

**DESCRIPTION**

FIG. 1 is a front perspective view of a chair showing my new design;  
FIG. 2 is a front elevation view thereof;  
FIG. 3 is a rear elevation view thereof;  
FIG. 4 is a left-side elevation view thereof;  
FIG. 5 is a right-side elevation view thereof;  
FIG. 6 is a top plan view thereof; and,  
FIG. 7 is a bottom plan view thereof.

**1 Claim, 7 Drawing Sheets**

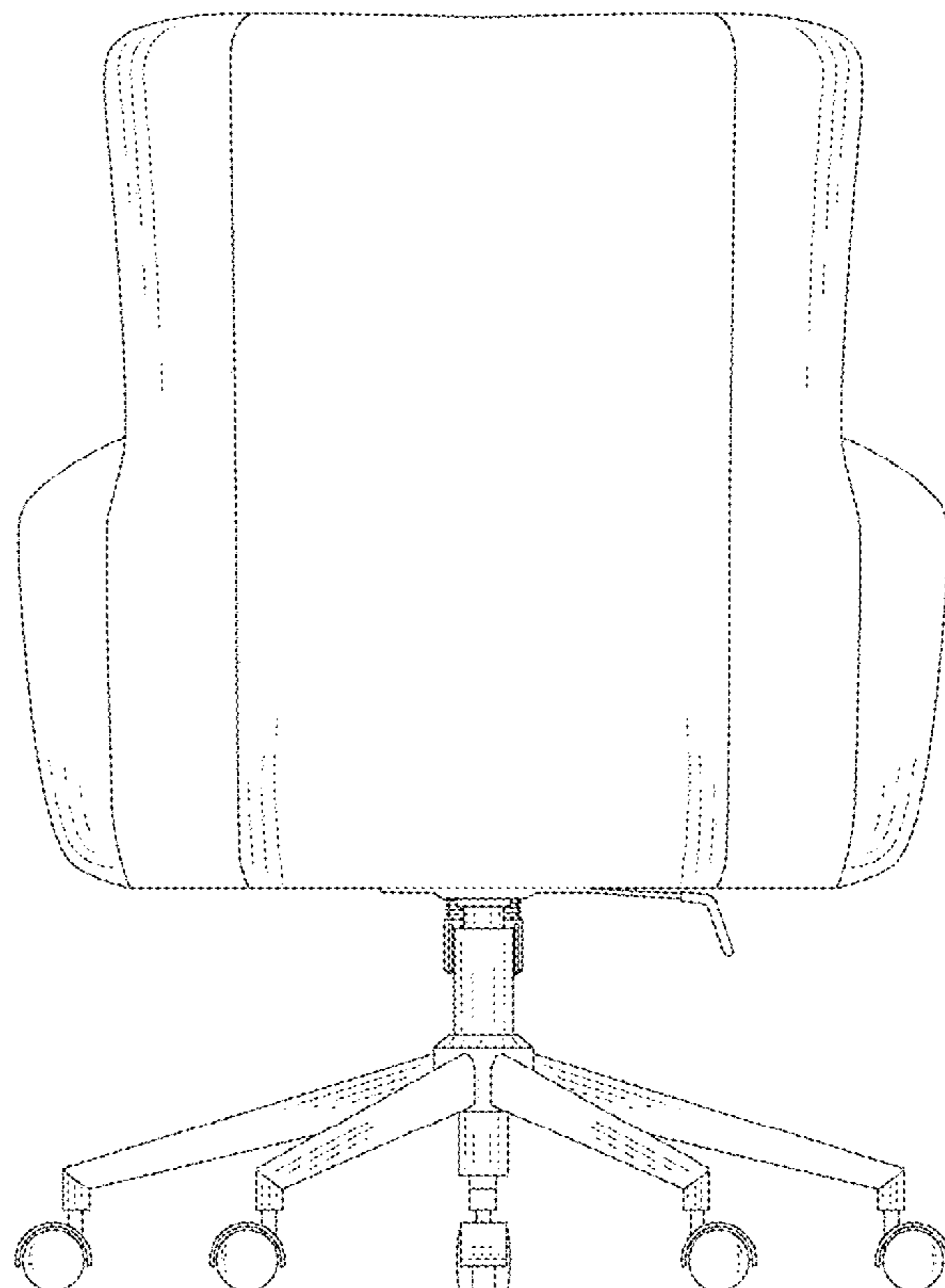
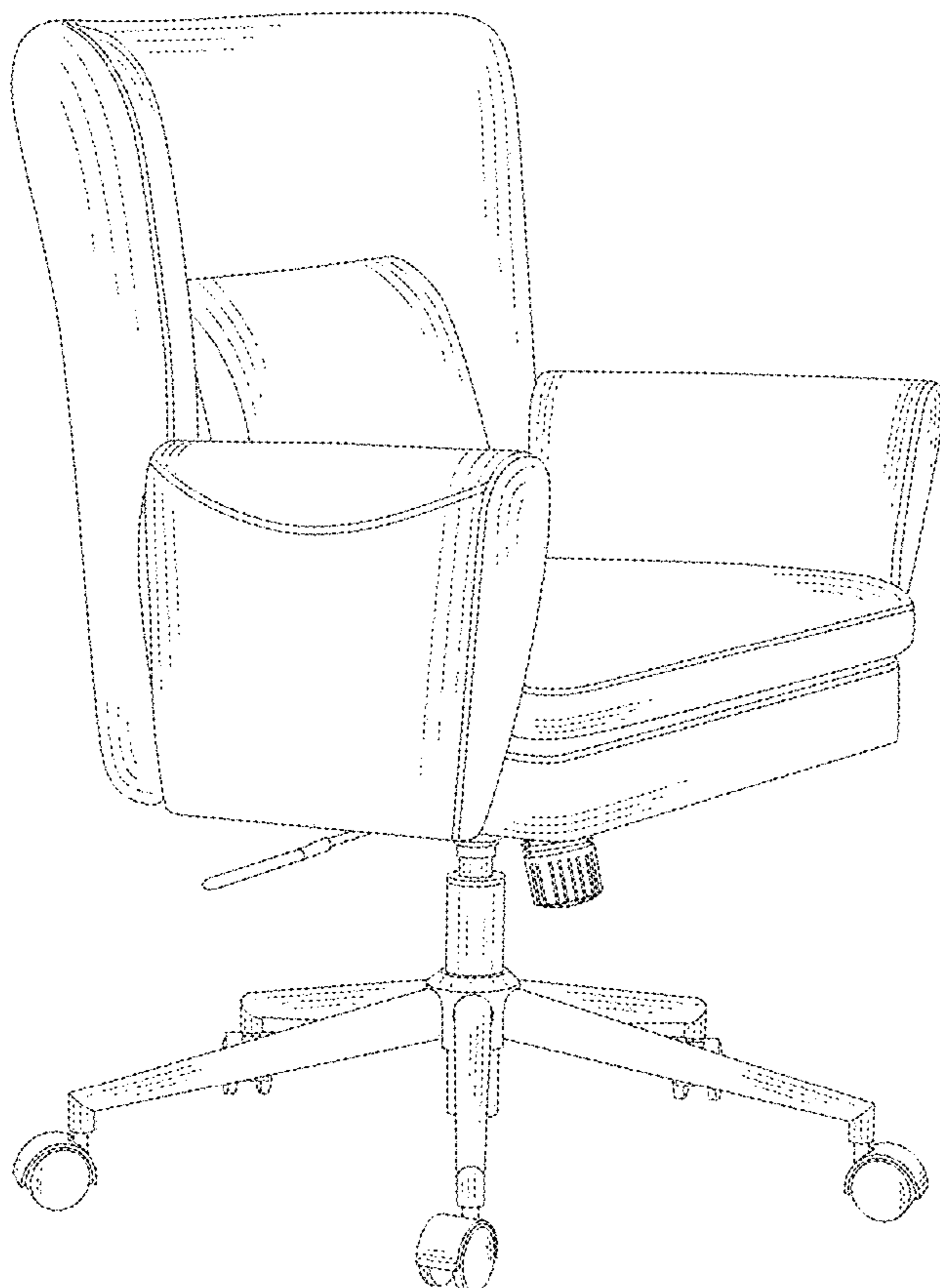




Fig.1

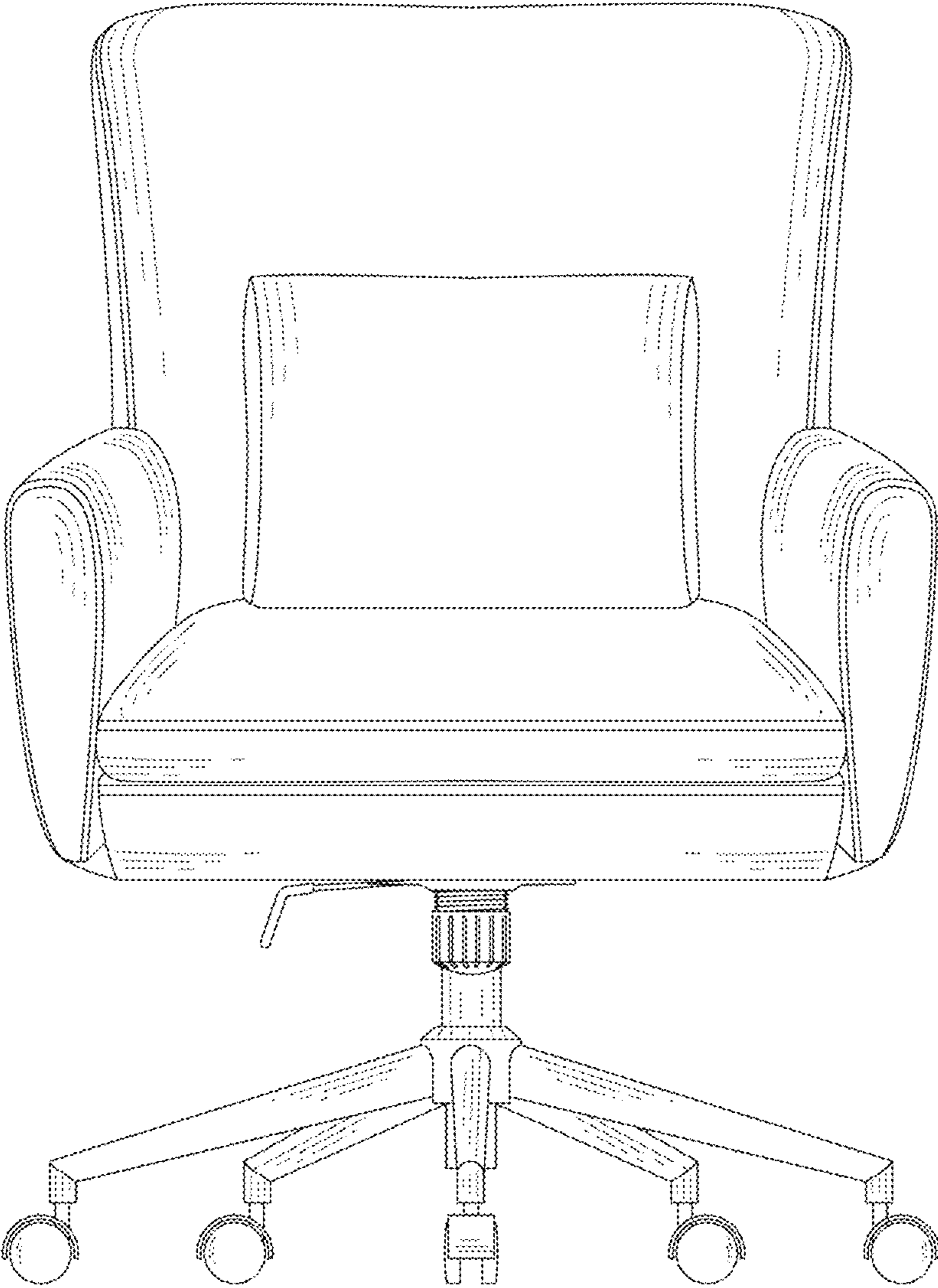


Fig.2

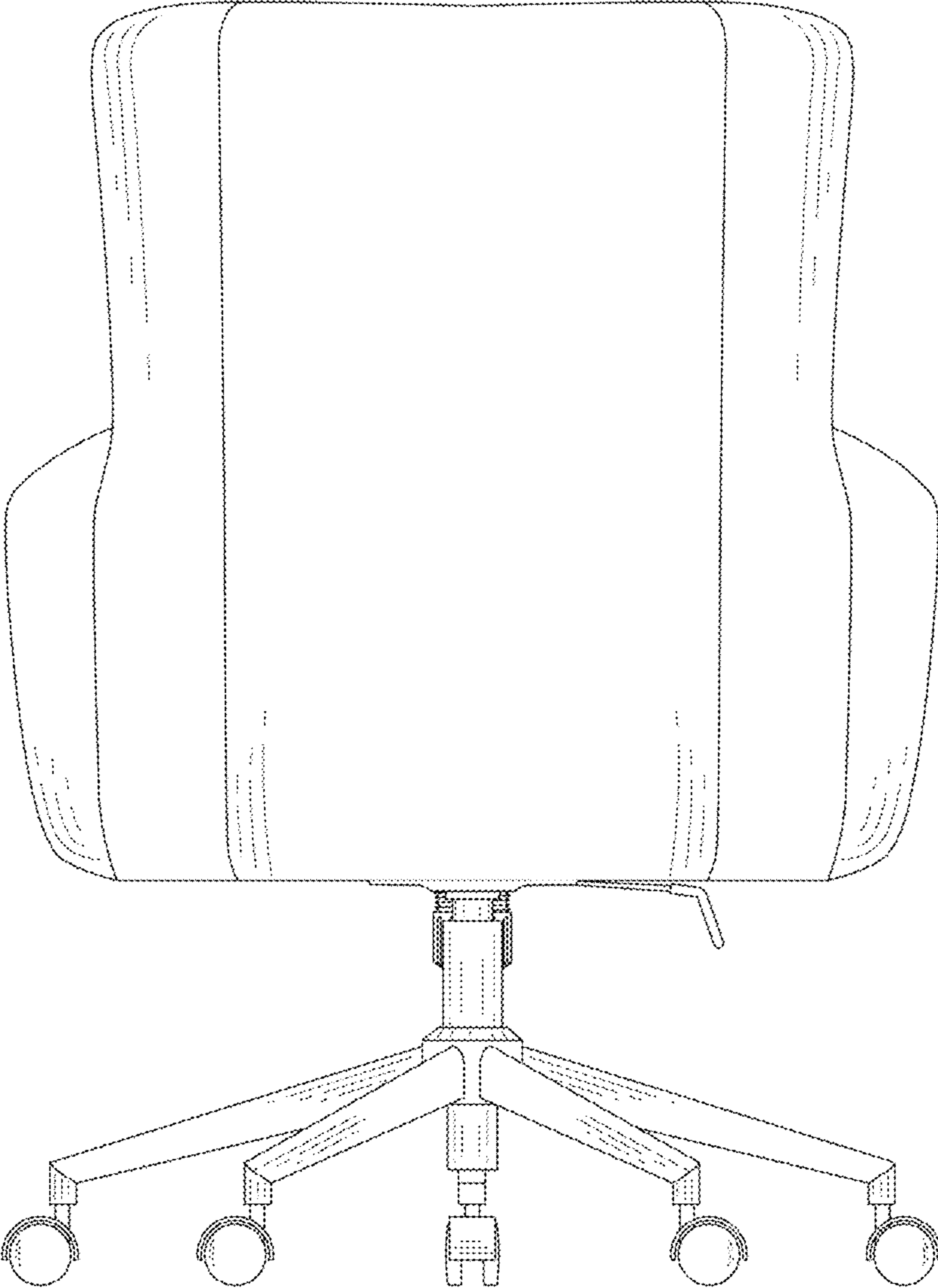


Fig.3

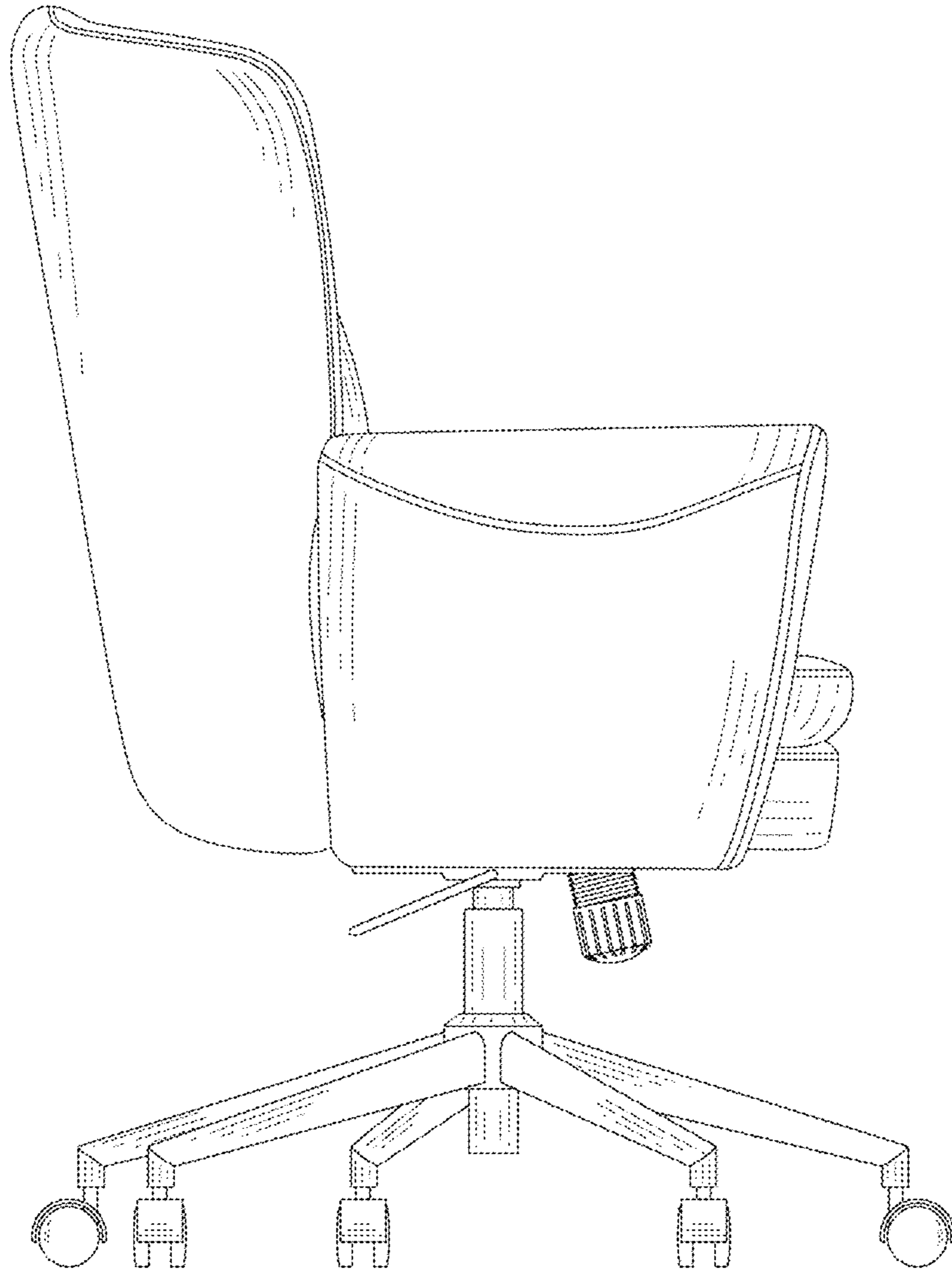


Fig.4

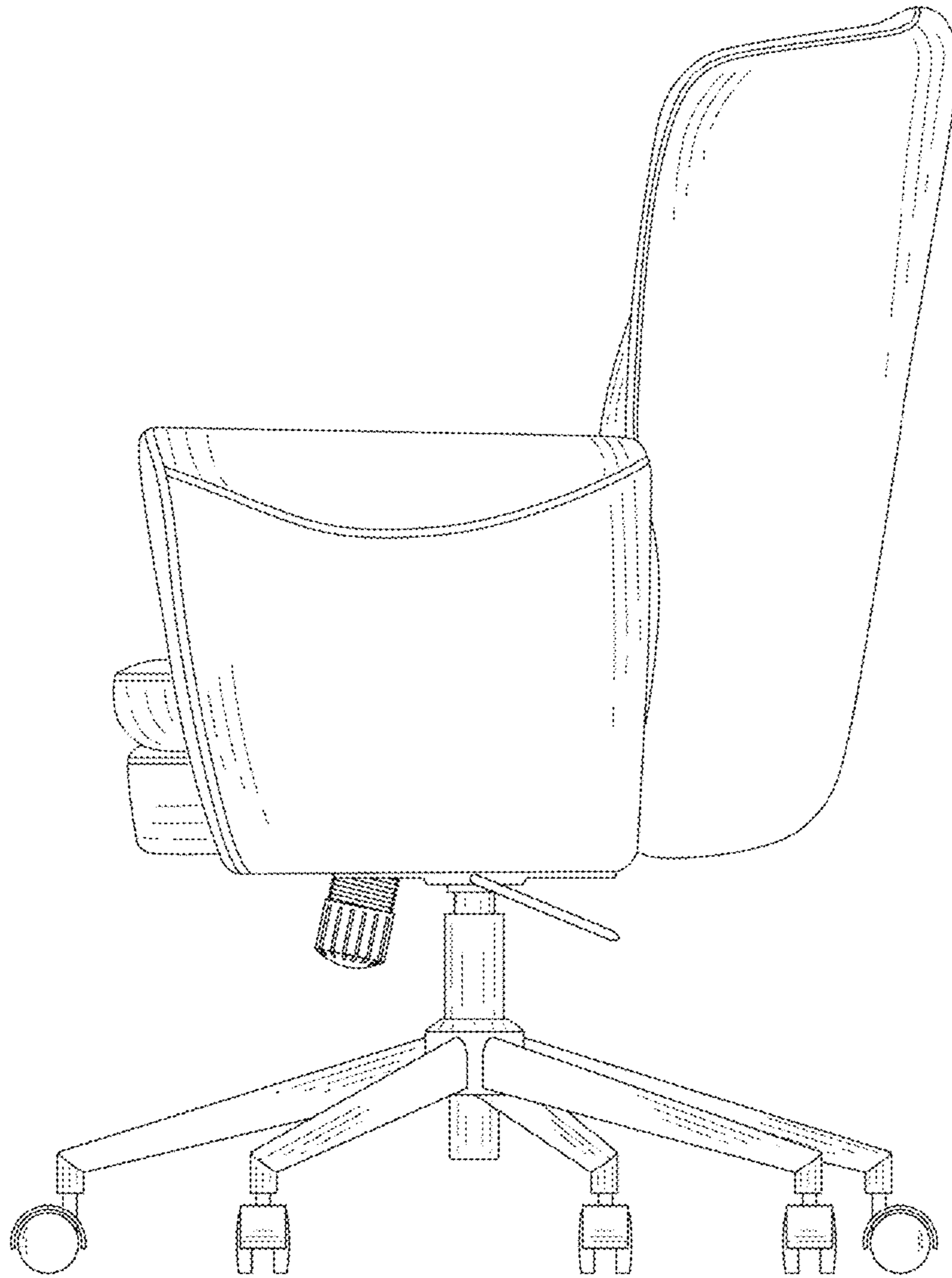


Fig.5

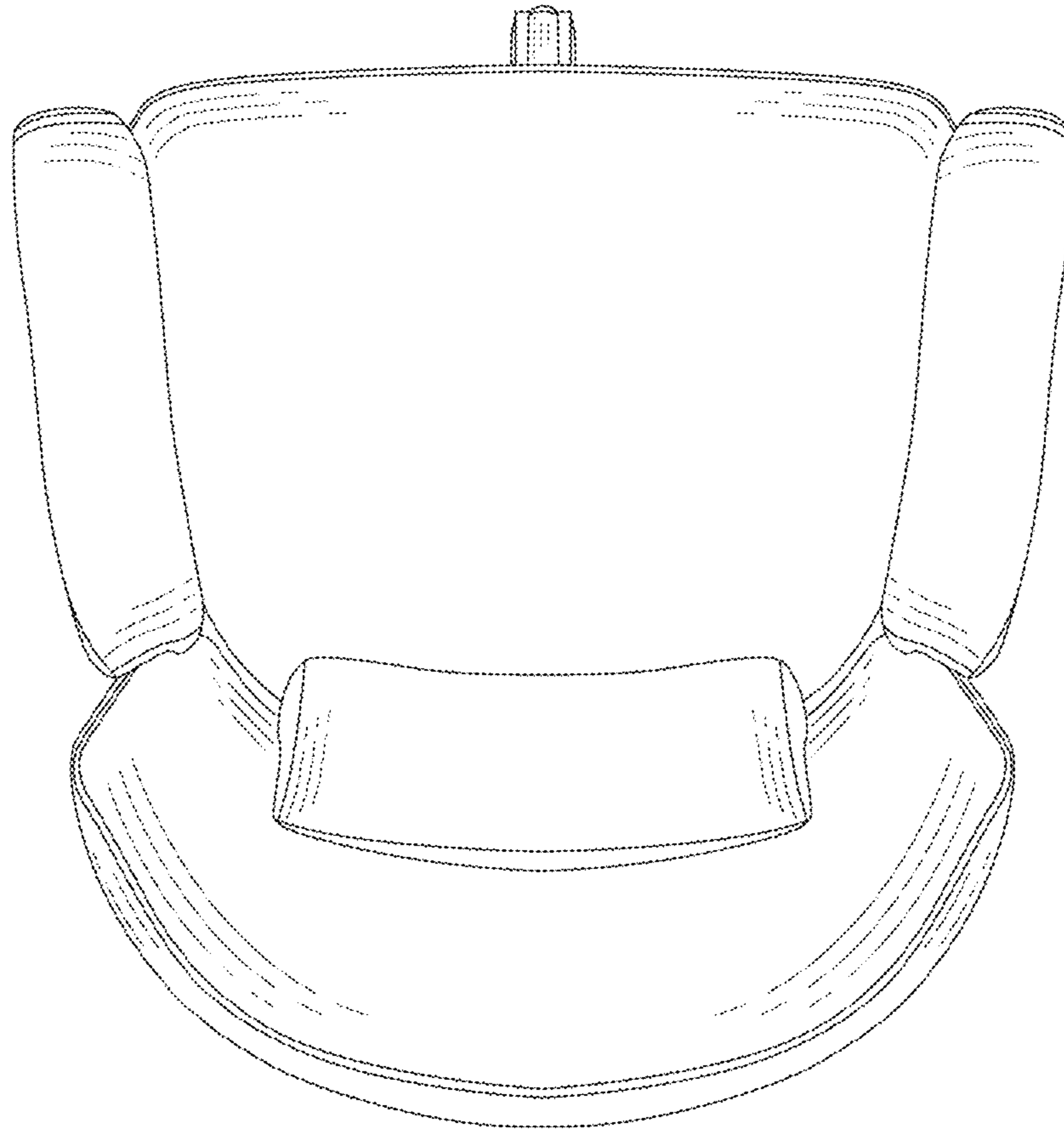


Fig.6

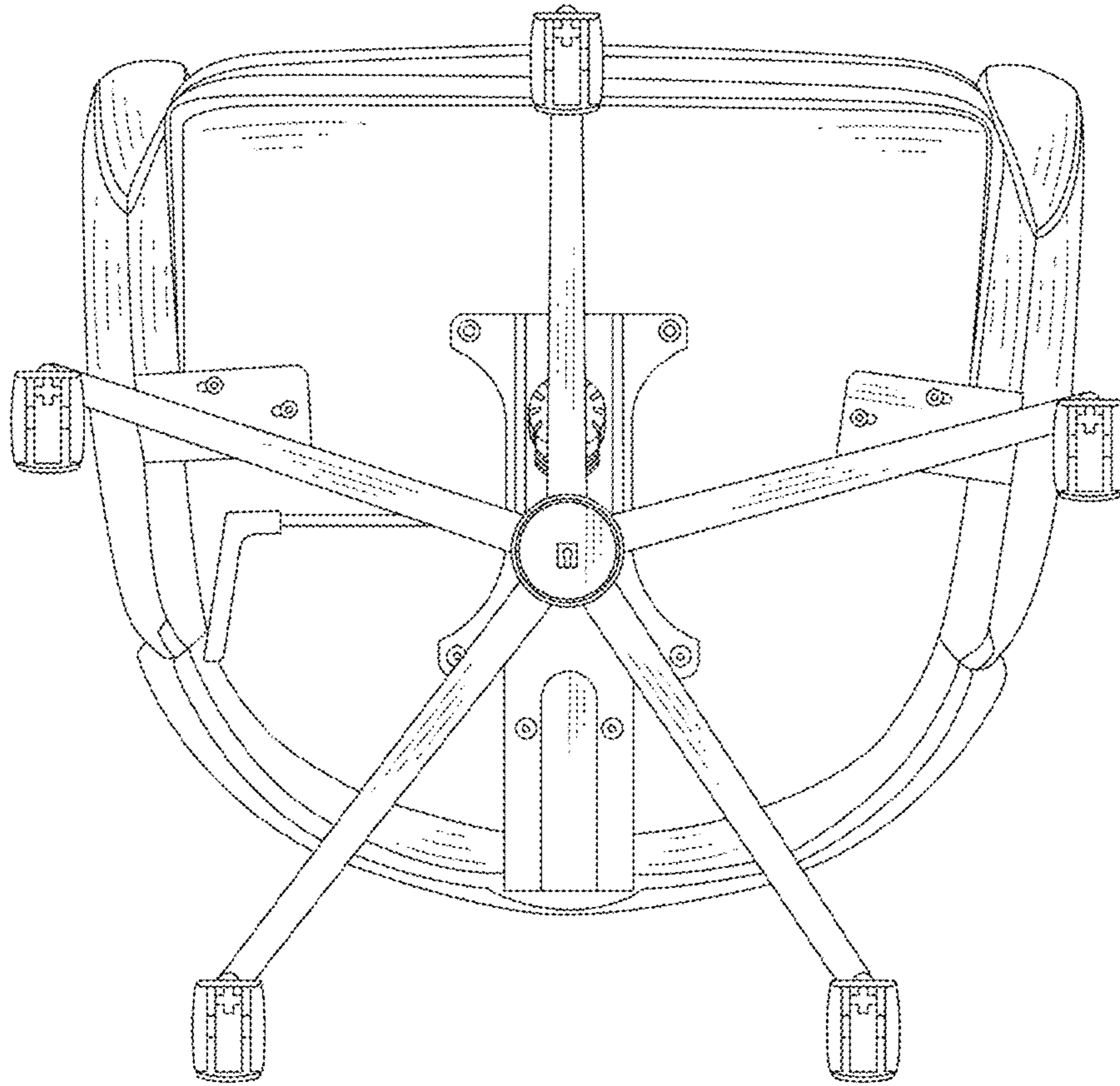


Fig.7