



US00D906709S

(12) **United States Design Patent**
Li

(10) **Patent No.:** **US D906,709 S**

(45) **Date of Patent:** **** Jan. 5, 2021**

(54) **CHAIR**

(71) Applicant: **39F USA INC**, Rancho Cucamonga, CA (US)

(72) Inventor: **Yuehai Li**, Rancho Cucamonga, CA (US)

(**) Term: **15 Years**

(21) Appl. No.: **29/711,788**

(22) Filed: **Nov. 2, 2019**

(51) **LOC (13) Cl.** **06-01**

(52) **U.S. Cl.**
USPC **D6/366**

(58) **Field of Classification Search**
USPC D6/334, 364, 365, 366, 369, 375, 379, D6/716.1, 716.7
CPC A47C 3/12; A47C 3/18; A47C 3/20; A47C 5/02; A47C 7/24; A47C 7/36; A47C 7/46
See application file for complete search history.

(56) **References Cited**

U.S. PATENT DOCUMENTS

D281,840 S * 12/1985 Ogg D6/366
D288,388 S * 2/1987 Ochsner D6/366

D613,956 S * 4/2010 Jehs D6/375
D670,098 S * 11/2012 Urquiola D6/375
D698,191 S * 1/2014 Kubryk D6/716
D737,617 S * 9/2015 Bellin D6/716
D738,658 S * 9/2015 Bellin D6/716
D766,003 S * 9/2016 Parker D6/366
D819,995 S * 6/2018 Woller D6/366
D859,014 S * 9/2019 Lopez D6/334
D859,859 S * 9/2019 Lopez D6/334

* cited by examiner

Primary Examiner — R. Johnson

(74) *Attorney, Agent, or Firm* — Feng Qian

(57) **CLAIM**

The ornamental design for a chair, as shown and described.

DESCRIPTION

FIG. 1 front perspective view of a chair showing my new design;
FIG. 2 is a front elevation view thereof;
FIG. 3 is a rear elevation view thereof;
FIG. 4 is a left-side elevation view thereof;
FIG. 5 is a right-side elevation view thereof;
FIG. 6 is a top plan view thereof; and,
FIG. 7 is a bottom plan view thereof.

1 Claim, 7 Drawing Sheets

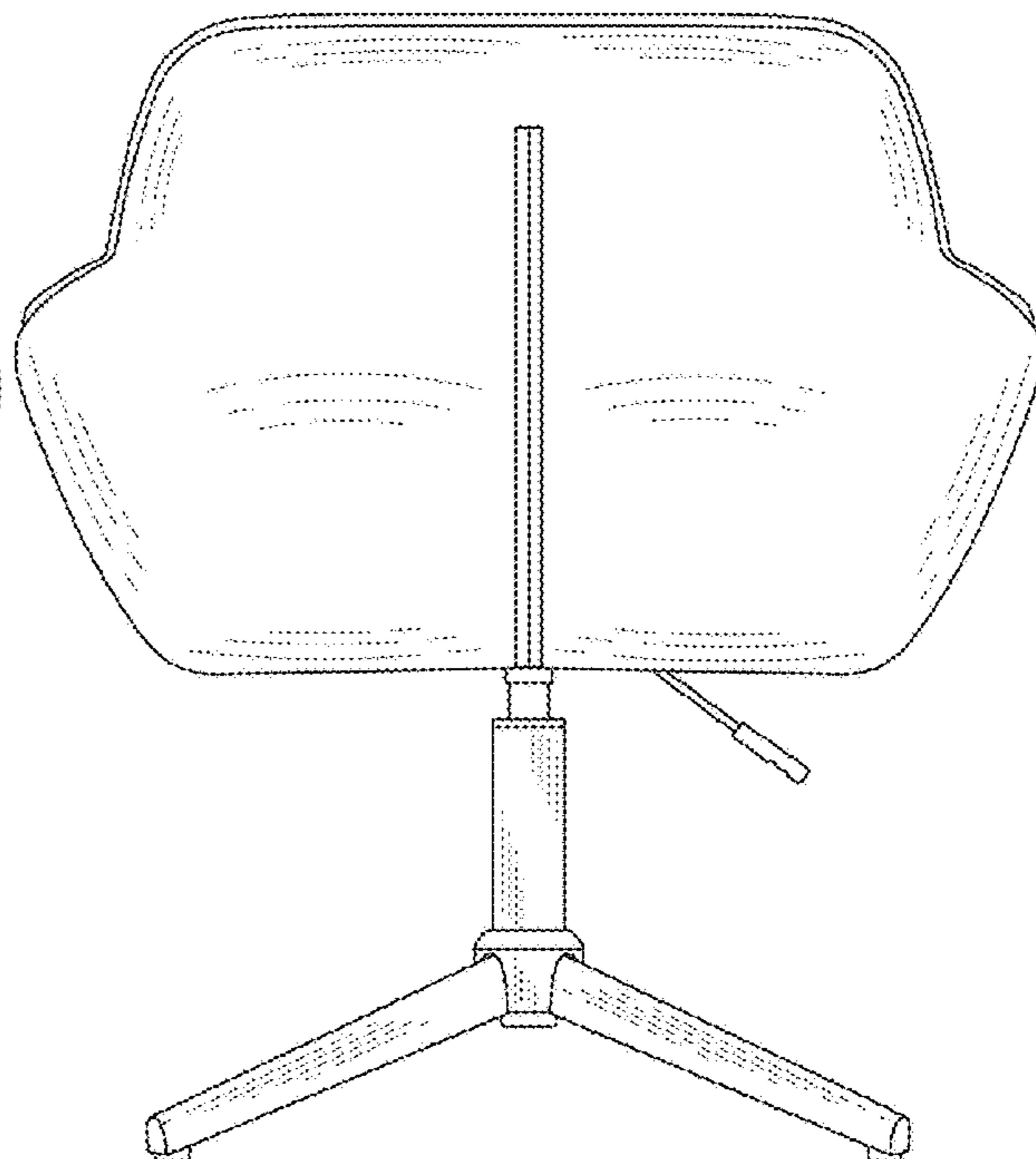
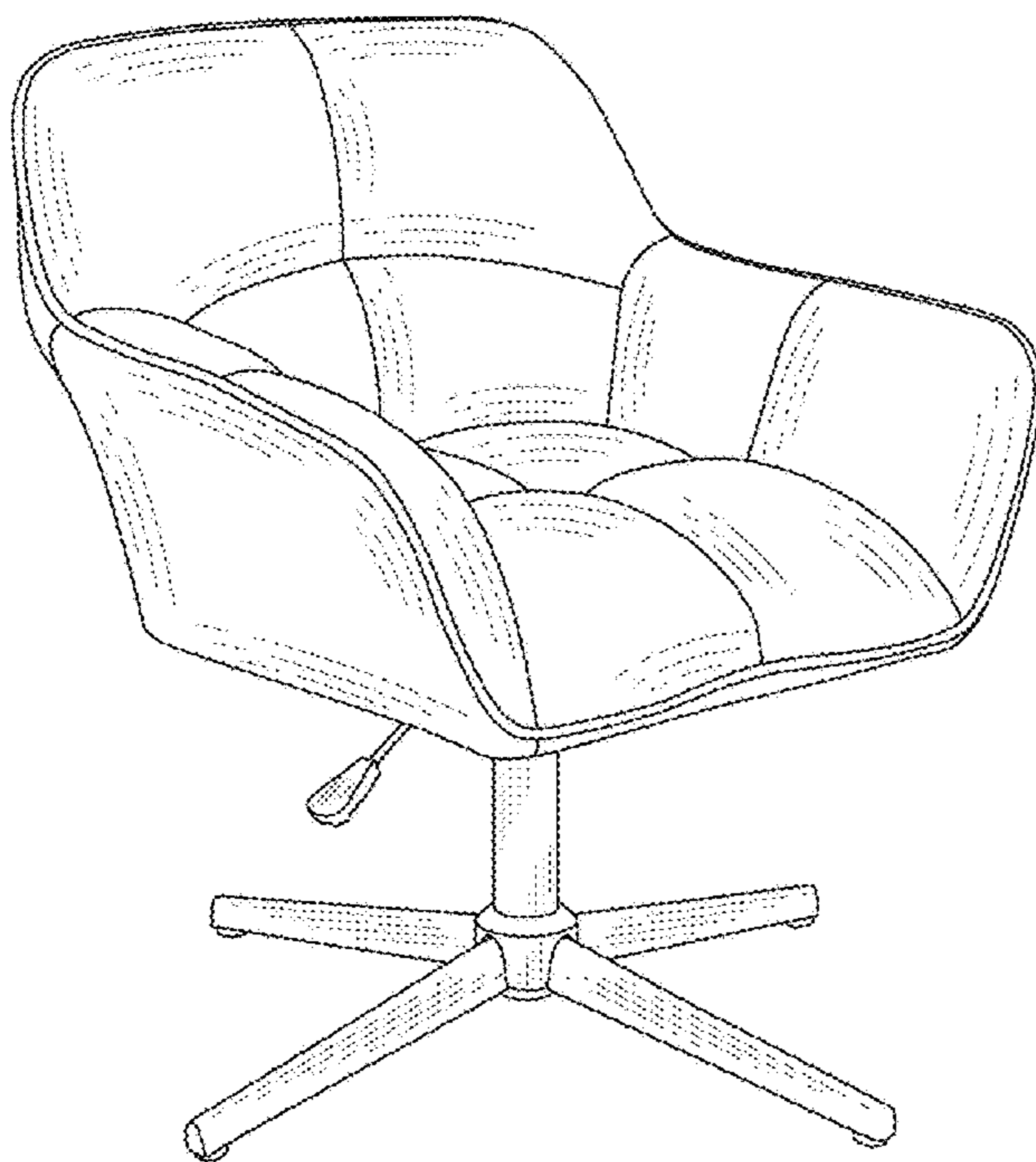




Fig.1

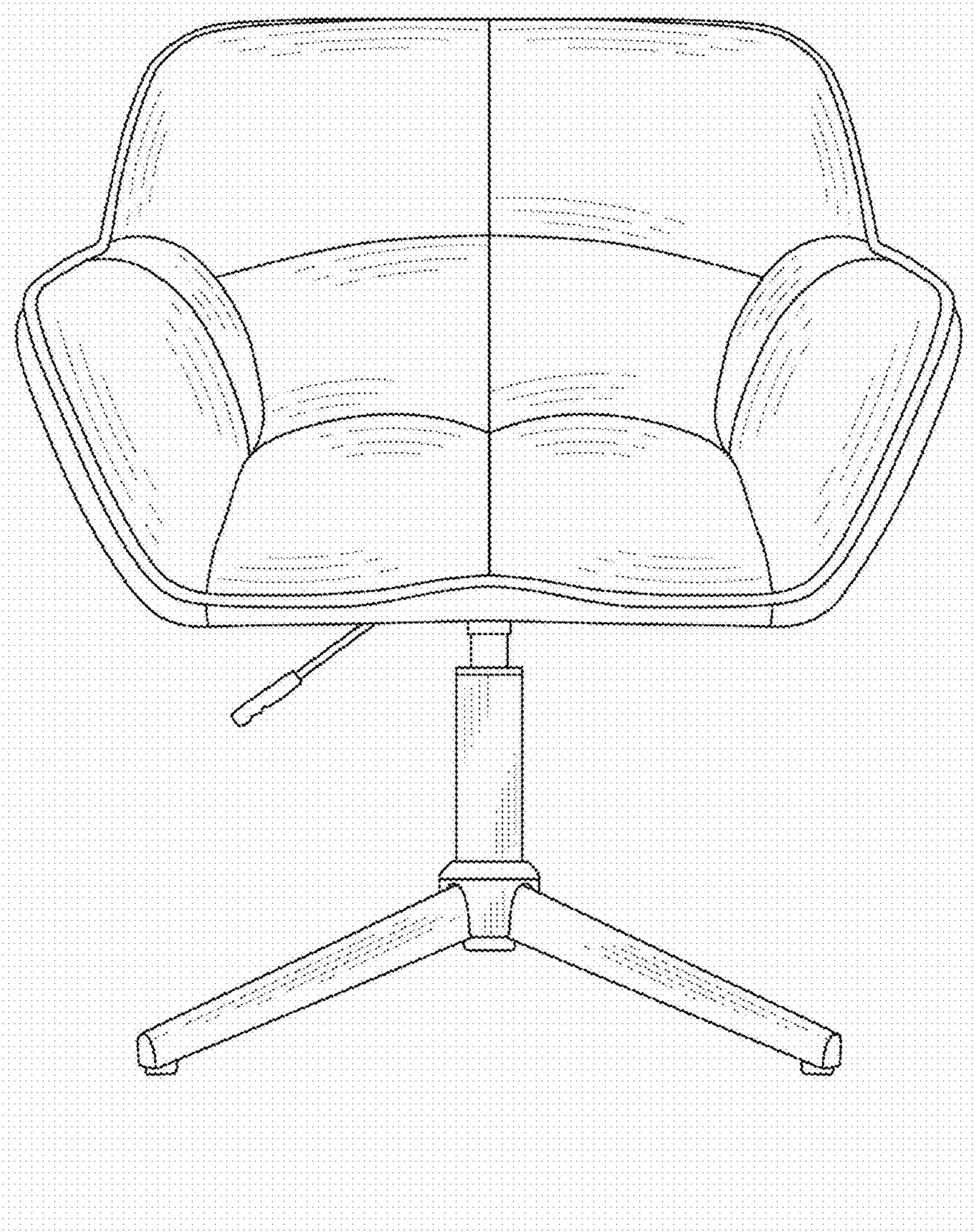


Fig.2

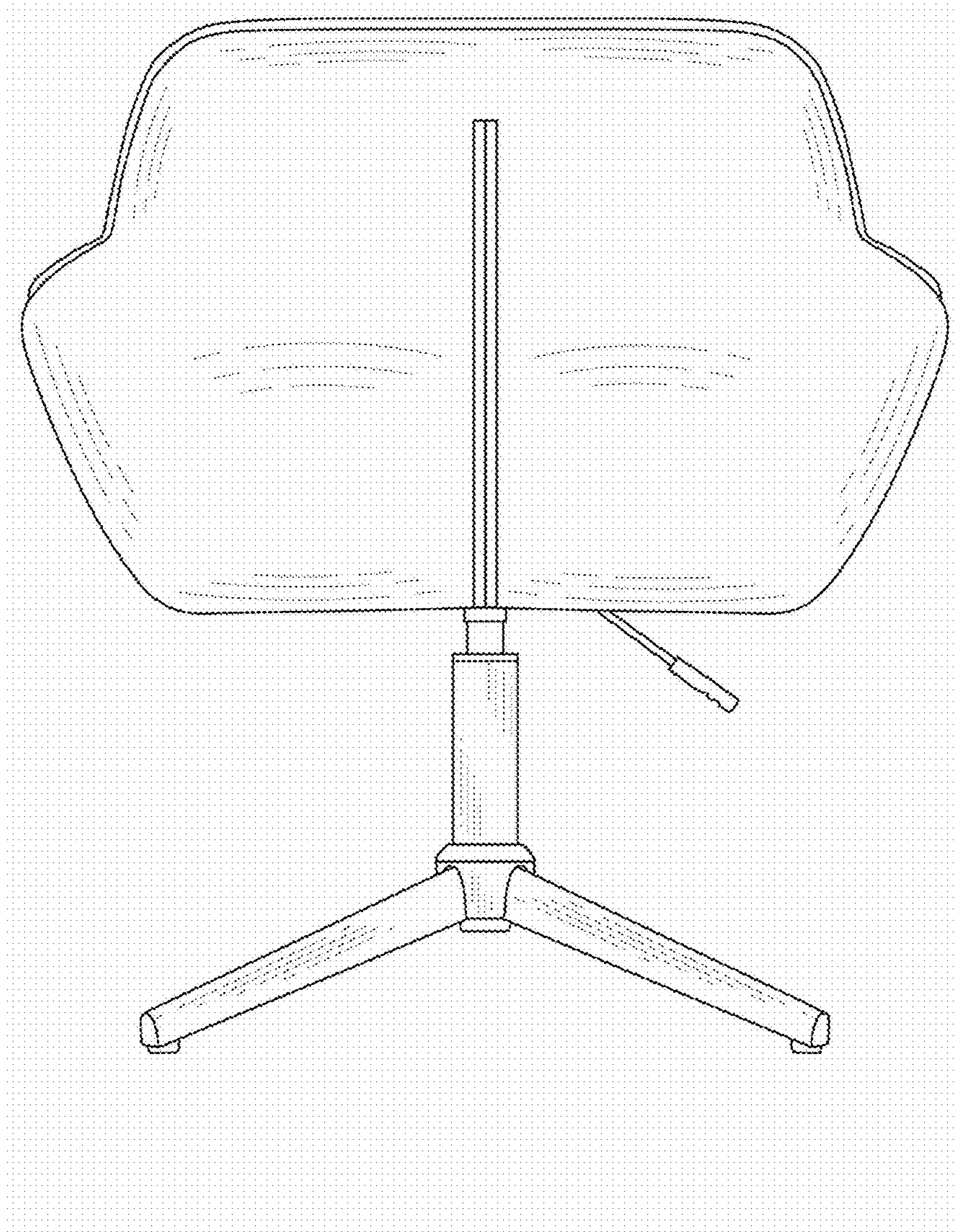


Fig.3

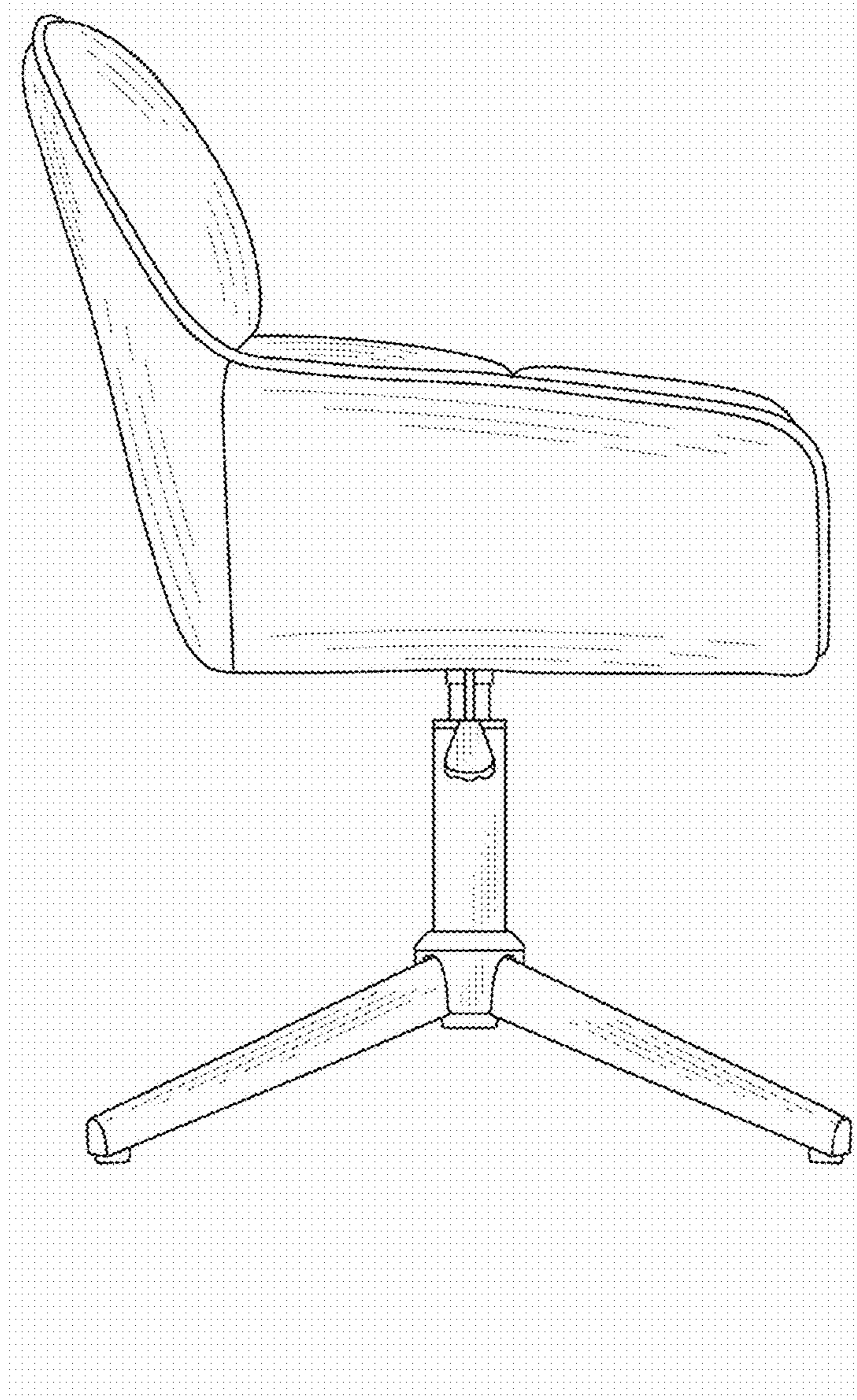


Fig.4

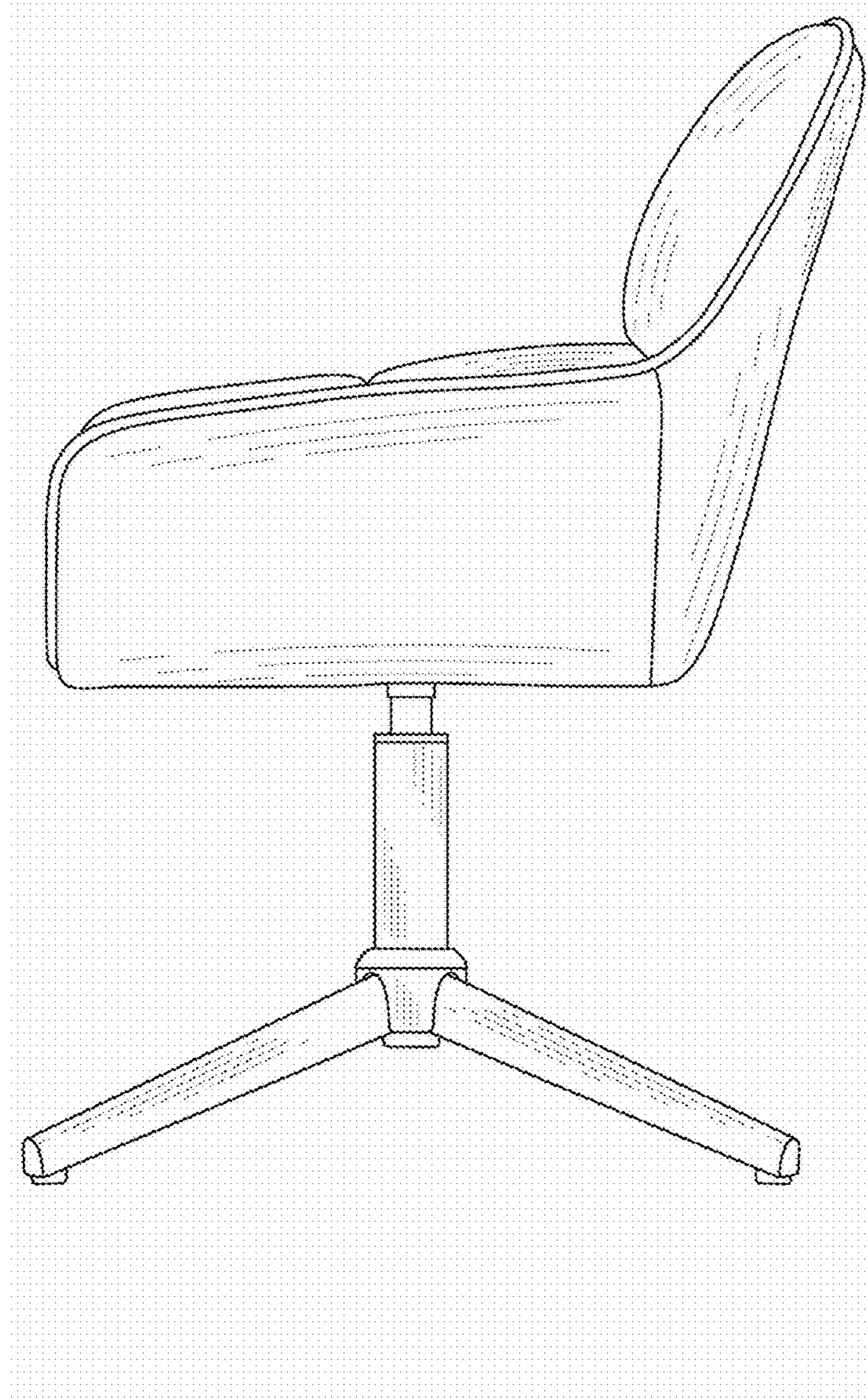


Fig.5

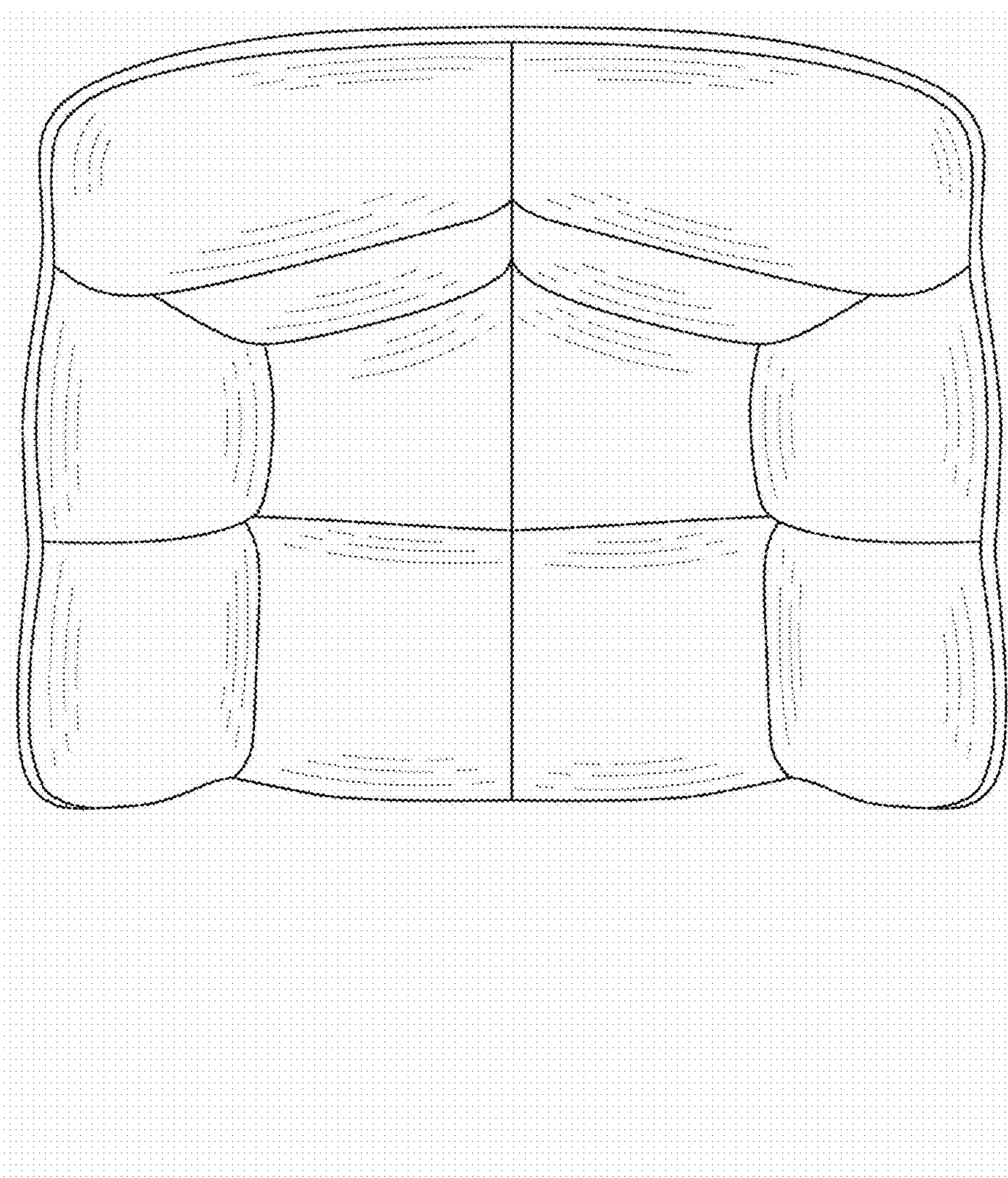


Fig.6

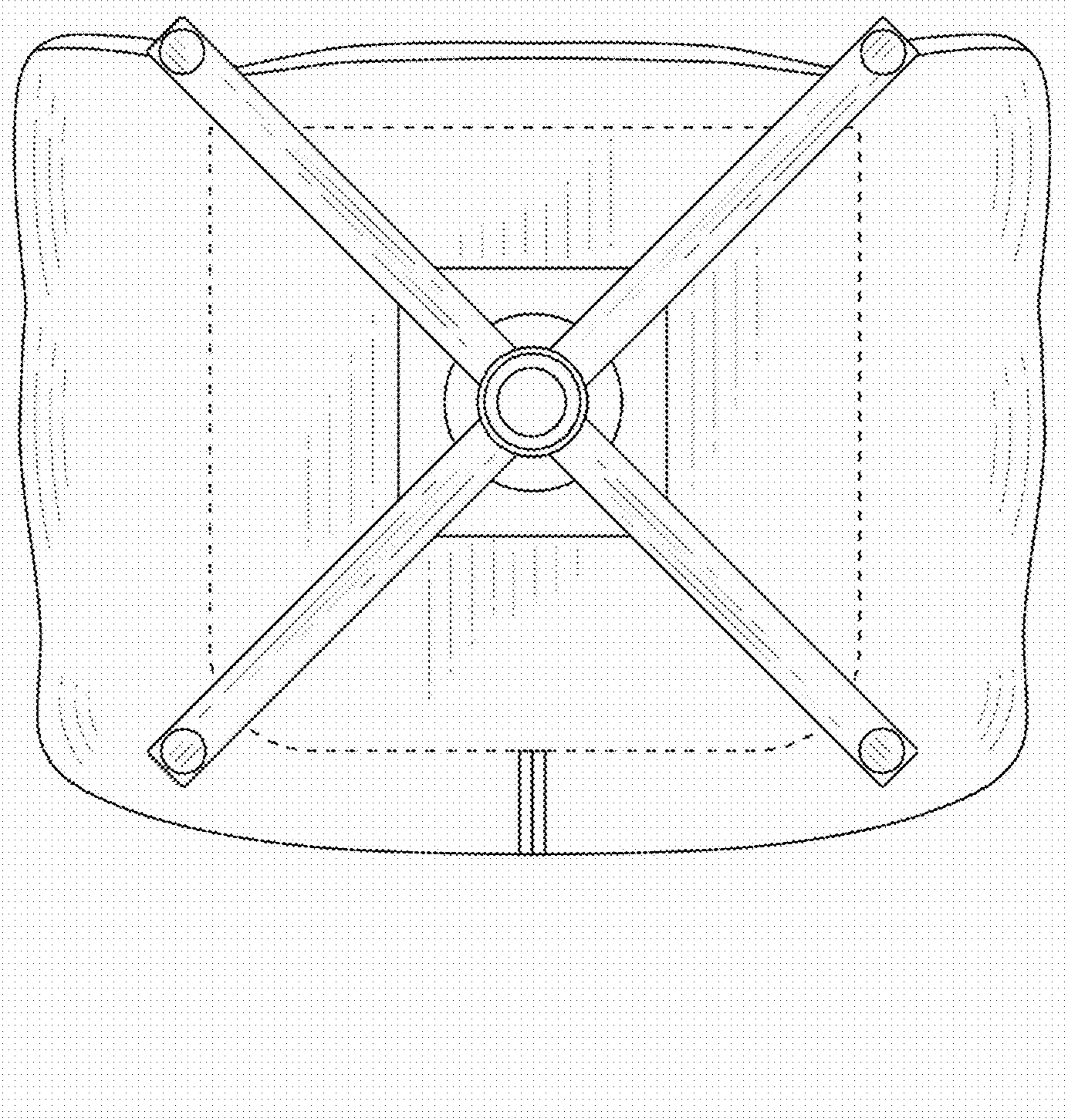


Fig.7