

US00D906707S

(12) **United States Design Patent**  
**Wu**

(10) **Patent No.:** **US D906,707 S**

(45) **Date of Patent:** **\*\* Jan. 5, 2021**

(54) **CHAIR**

(71) Applicant: **Chong Wu**, Foshan (CN)

(72) Inventor: **Chong Wu**, Foshan (CN)

(\*\*) Term: **15 Years**

(21) Appl. No.: **29/684,157**

(22) Filed: **Mar. 19, 2019**

(51) **LOC (13) Cl.** ..... **06-01**

(52) **U.S. Cl.**  
USPC ..... **D6/366**

(58) **Field of Classification Search**

USPC ..... D6/334-336, 364, 365, 366, 374, 379,  
D6/380, 716, 716.1, 716.2, 716.4  
CPC ..... A47C 7/004; A47C 7/006; A47C 7/02;  
A47C 7/18; A47C 7/24; A47C 7/282;  
A47C 7/40; A47C 7/44; A47C 7/46;  
A47C 7/54; B60N 2/66

See application file for complete search history.

(56) **References Cited**

**U.S. PATENT DOCUMENTS**

D270,020 S \* 8/1983 Drabert ..... D6/366  
D292,351 S \* 10/1987 Brossard ..... D6/366

D597,771 S \* 8/2009 Weber ..... D6/716.4  
9,648,955 B2 \* 5/2017 Su ..... A47C 7/40  
D838,506 S \* 1/2019 Borgenhov ..... D6/366  
D879,491 S \* 3/2020 Wang ..... D6/366  
D883,689 S \* 5/2020 Dassen ..... D6/366  
D883,690 S \* 5/2020 Dassen ..... D6/366  
D883,691 S \* 5/2020 Dassen ..... D6/366

\* cited by examiner

*Primary Examiner* — Mimososa De

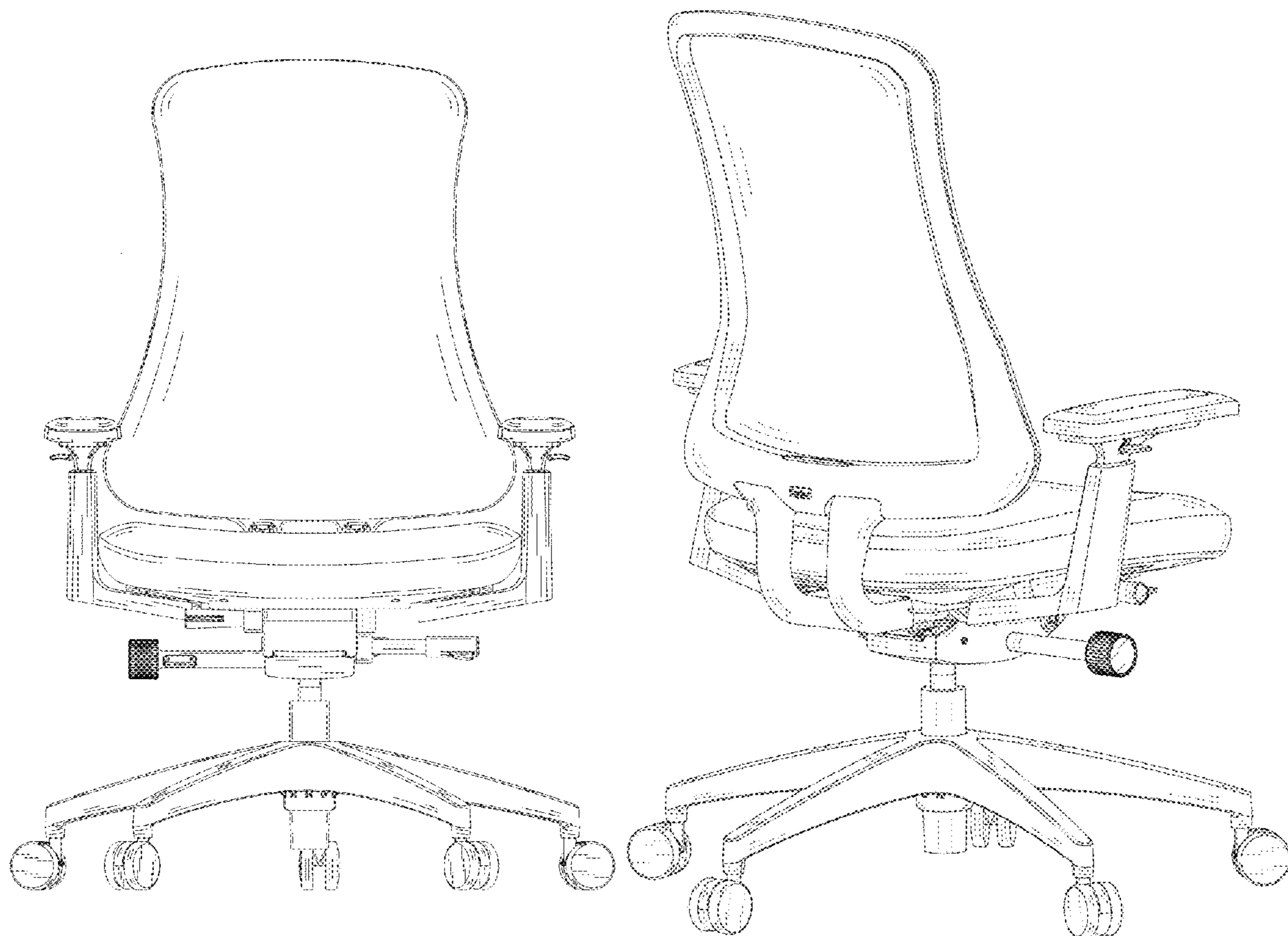
(57) **CLAIM**

The ornamental design for a chair, as shown and described.

**DESCRIPTION**

FIG. 1 is a front view of a chair, showing my new design;  
FIG. 2 is a back view thereof;  
FIG. 3 is a left side view thereof;  
FIG. 4 is a right side view thereof;  
FIG. 5 is a top view thereof;  
FIG. 6 is a bottom view thereof;  
FIG. 7 is a perspective view thereof; and,  
FIG. 8 is another perspective view thereof, shown with the  
stand in extended condition.  
The broken lines show portions of the article not claimed  
and form no part of the claimed design.

**1 Claim, 8 Drawing Sheets**



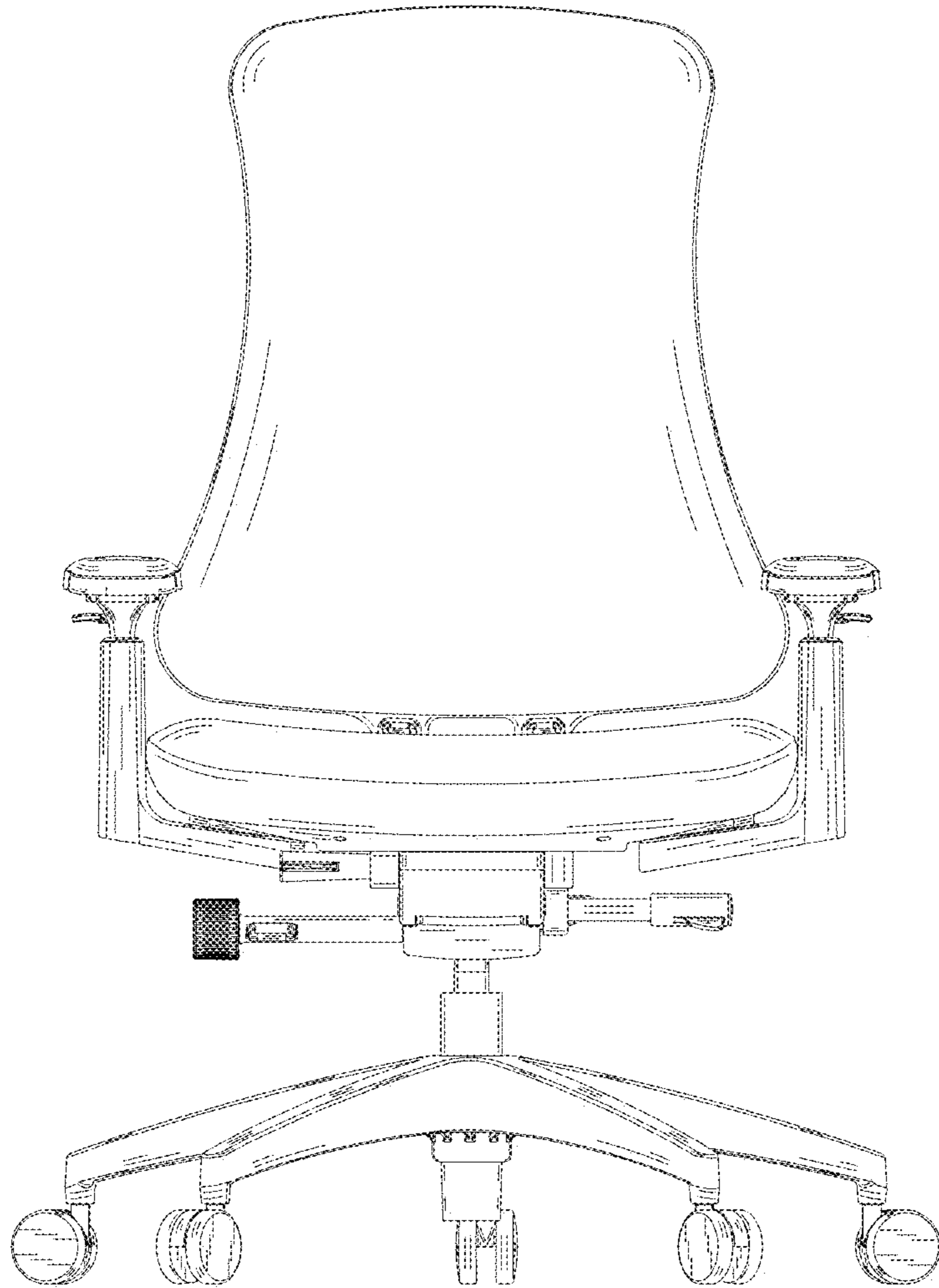


FIG. 1

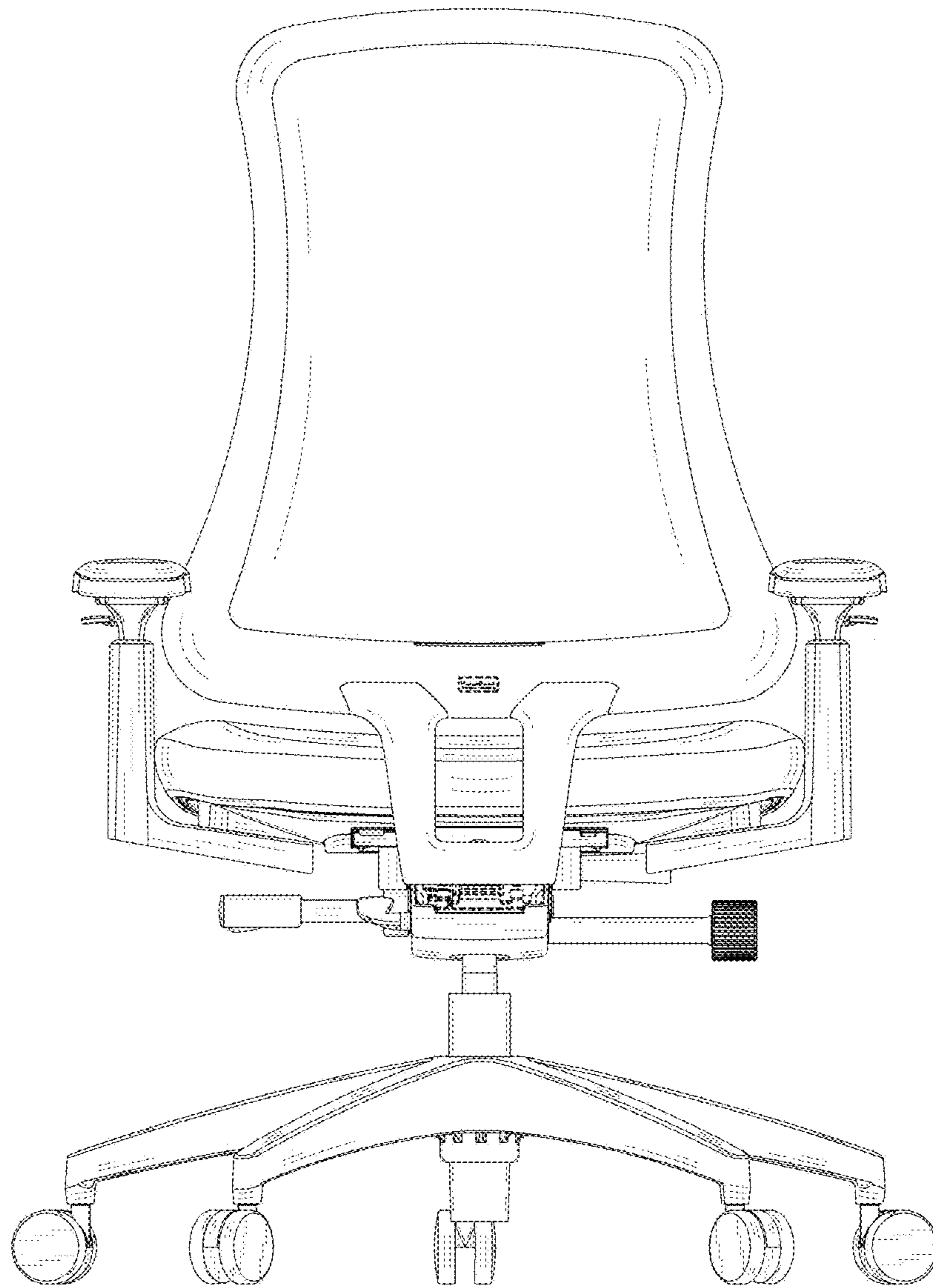


FIG. 2

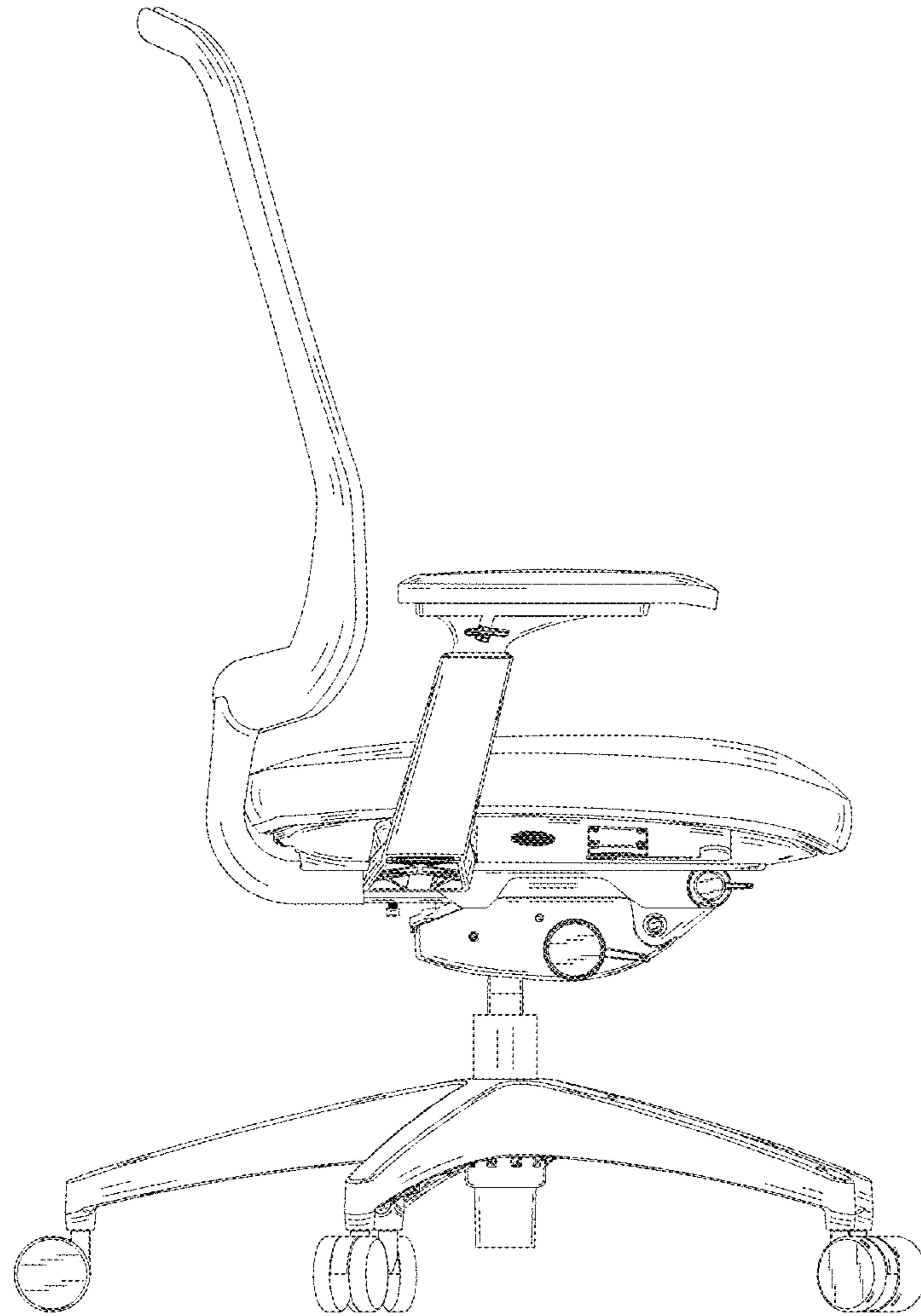


FIG. 3

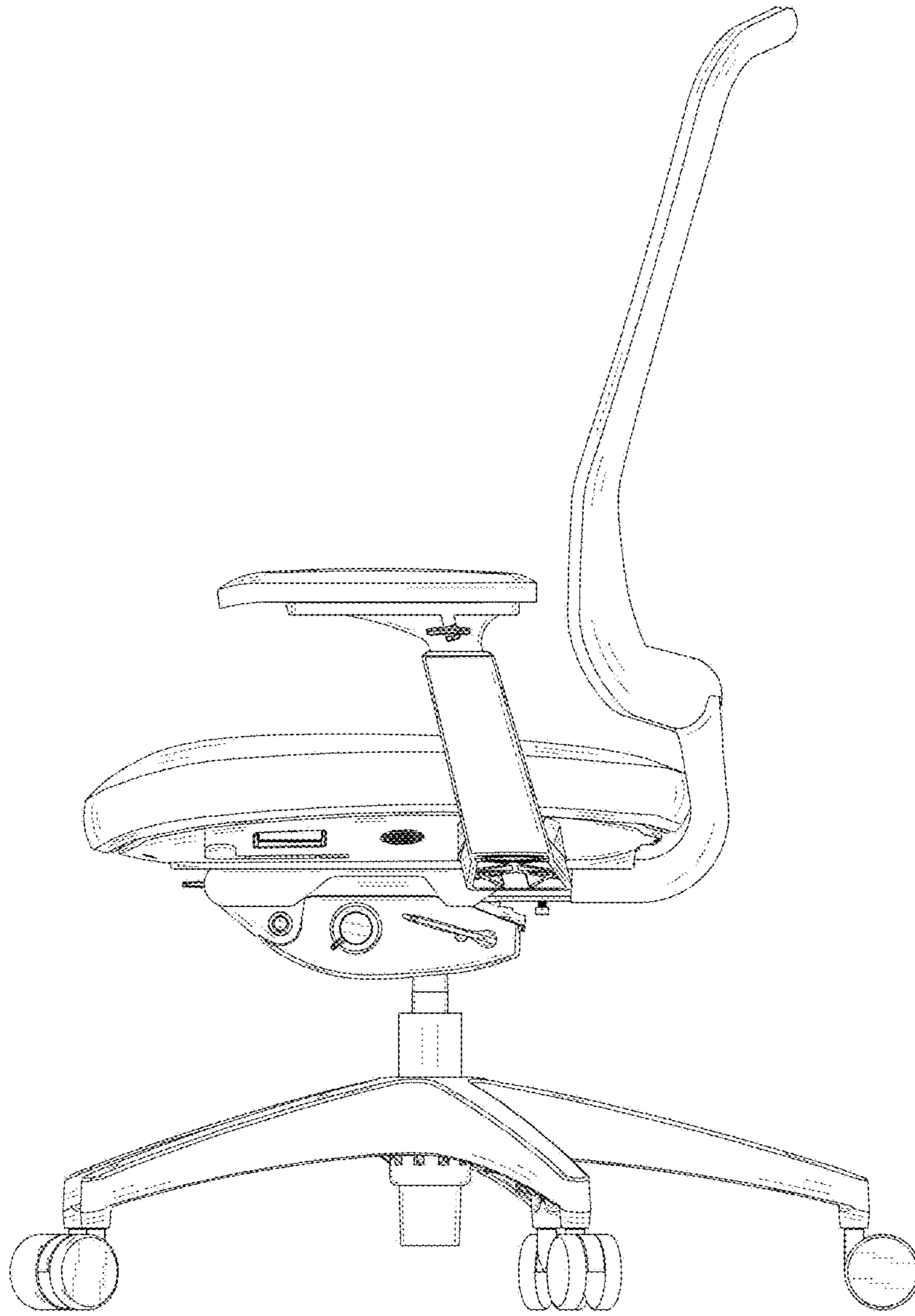


FIG. 4

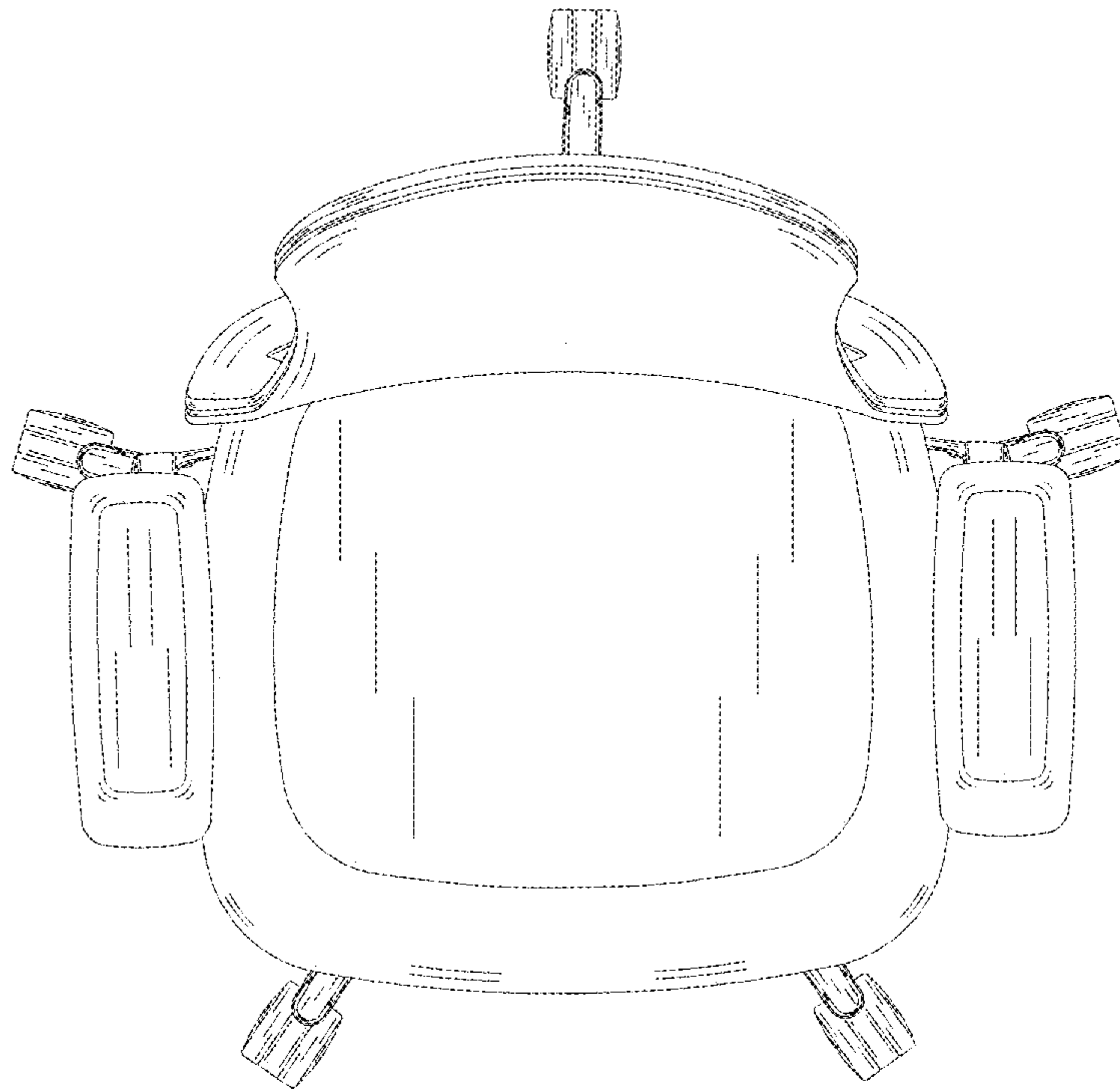


FIG. 5

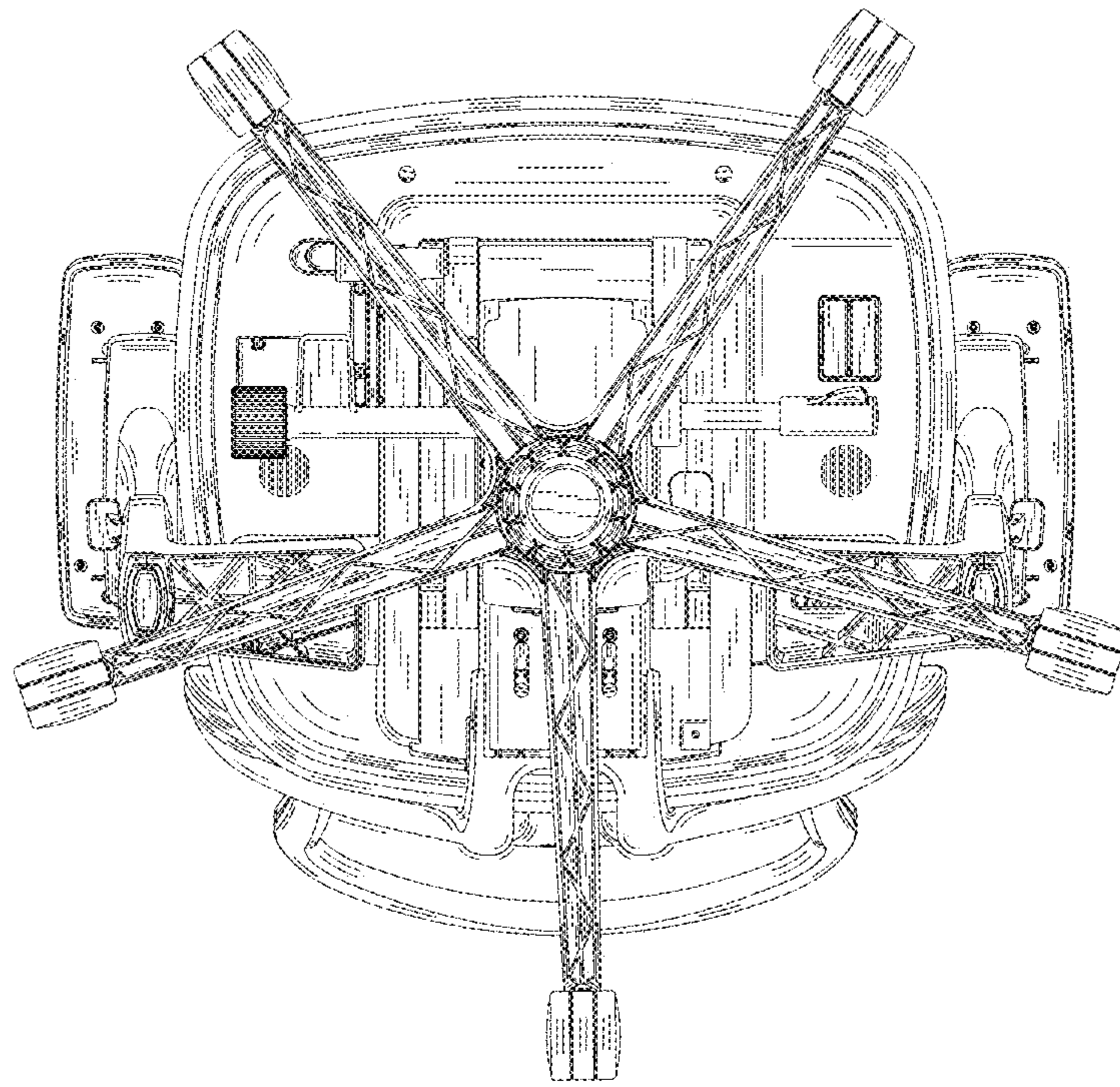


FIG. 6

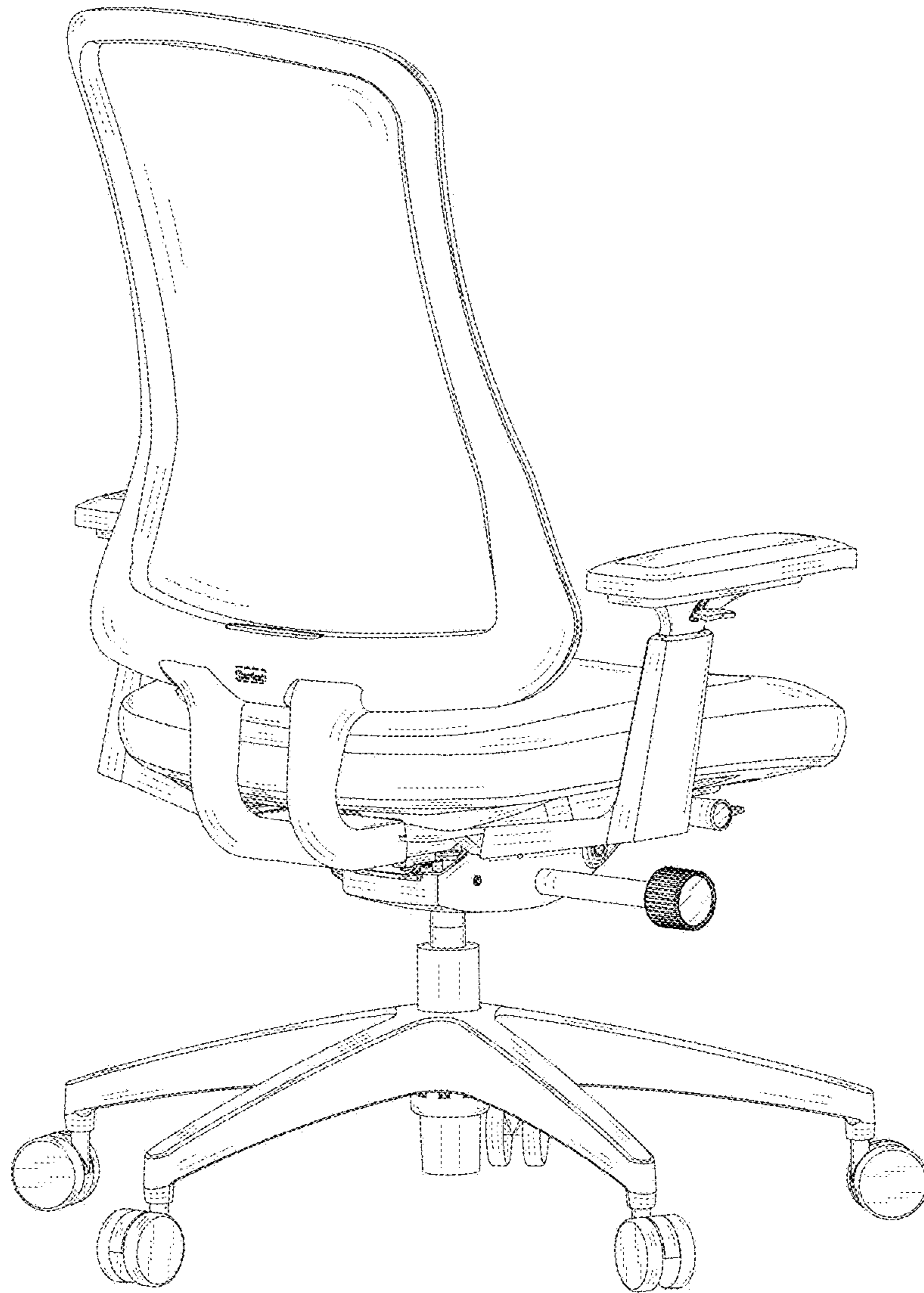


FIG. 7



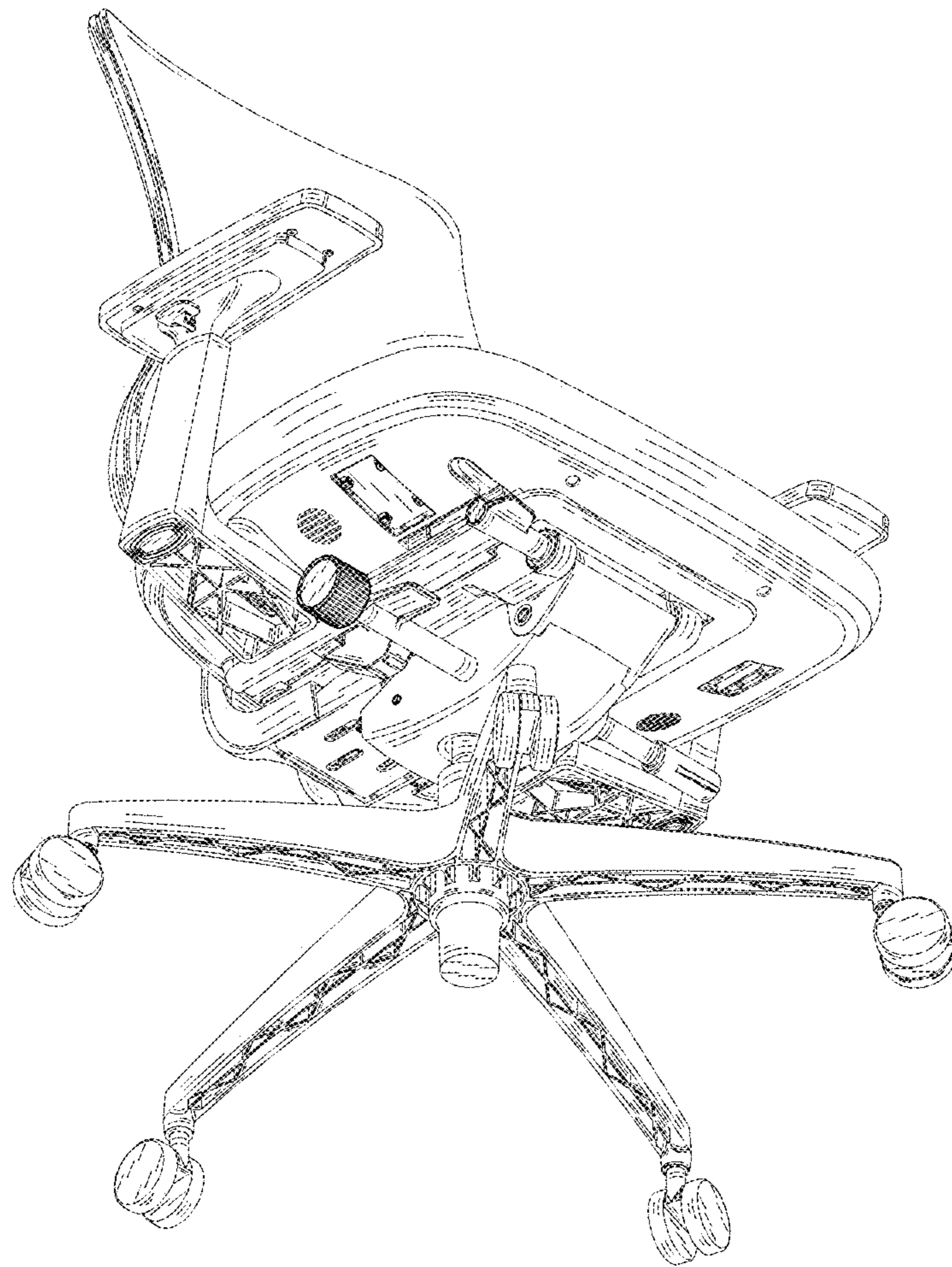


FIG. 8