



US00D906706S

(12) **United States Design Patent**
Wu

(10) **Patent No.:** **US D906,706 S**
(45) **Date of Patent:** **** Jan. 5, 2021**

(54) **CHAIR**

(71) Applicant: **Chong Wu**, Foshan (CN)

(72) Inventor: **Chong Wu**, Foshan (CN)

(**) Term: **15 Years**

(21) Appl. No.: **29/682,391**

(22) Filed: **Mar. 5, 2019**

(51) **LOC (13) Cl.** **06-01**

(52) **U.S. Cl.**

USPC **D6/366**

(58) **Field of Classification Search**

USPC D6/334-336, 364, 365, 366, 374, 379,
D6/380, 716, 716.1, 716.2, 716.4

CPC A47C 7/004; A47C 7/006; A47C 7/02;
A47C 7/18; A47C 7/24; A47C 7/282;
A47C 7/40; A47C 7/44; A47C 7/46;
A47C 7/54; B60N 2/66

See application file for complete search history.

(56) **References Cited**

U.S. PATENT DOCUMENTS

D559,574 S * 1/2008 Igarashi D6/366
D679,107 S * 4/2013 Darrow D6/366

D710,640 S * 8/2014 Usumoto D6/716
D883,689 S * 5/2020 Dassen D6/366
D883,691 S * 5/2020 Dassen D6/366
D889,867 S * 7/2020 Guelfo D6/366

* cited by examiner

Primary Examiner — Mimosa De

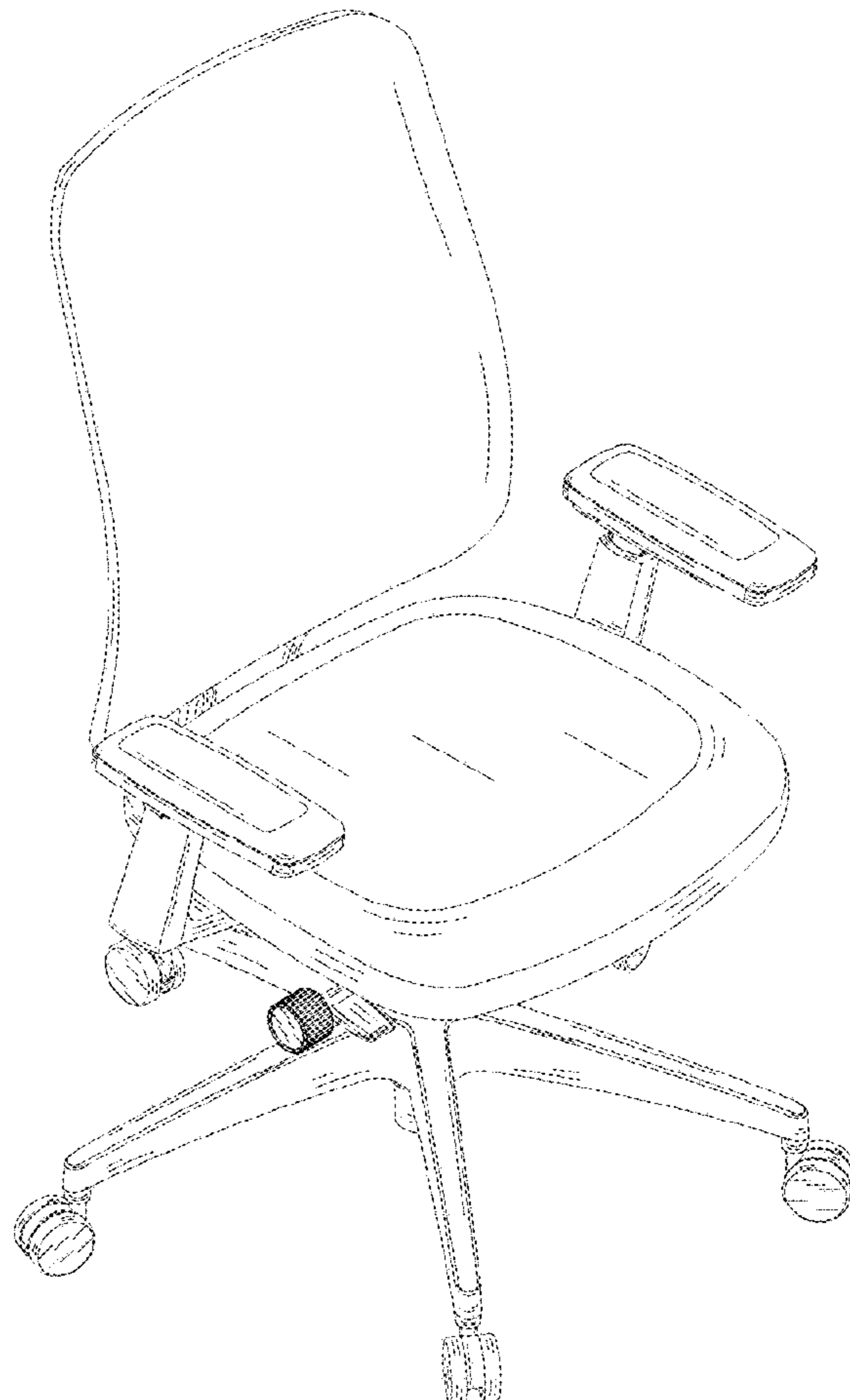
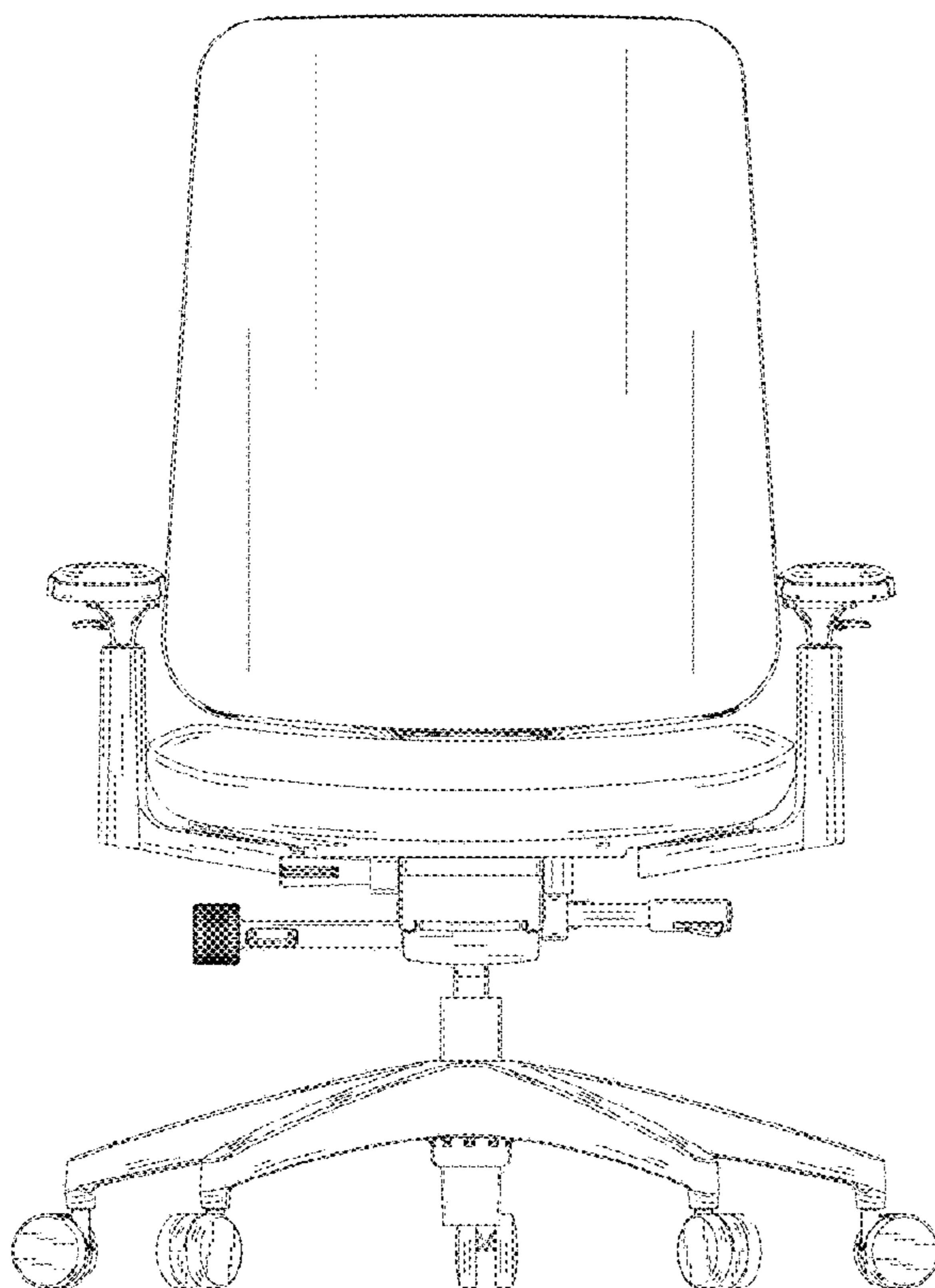
(57) **CLAIM**

The ornamental design for a chair, as shown and described.

DESCRIPTION

FIG. 1 is a front view of the chair showing my new design;
FIG. 2 is a back view thereof;
FIG. 3 is a left side view thereof;
FIG. 4 is a right side view thereof;
FIG. 5 is a top view thereof;
FIG. 6 is a bottom view thereof;
FIG. 7 is a perspective view thereof; and,
FIG. 8 is another perspective view thereof.
The broken lines show portions of the article not claimed
and form no part of the claimed design.

1 Claim, 8 Drawing Sheets



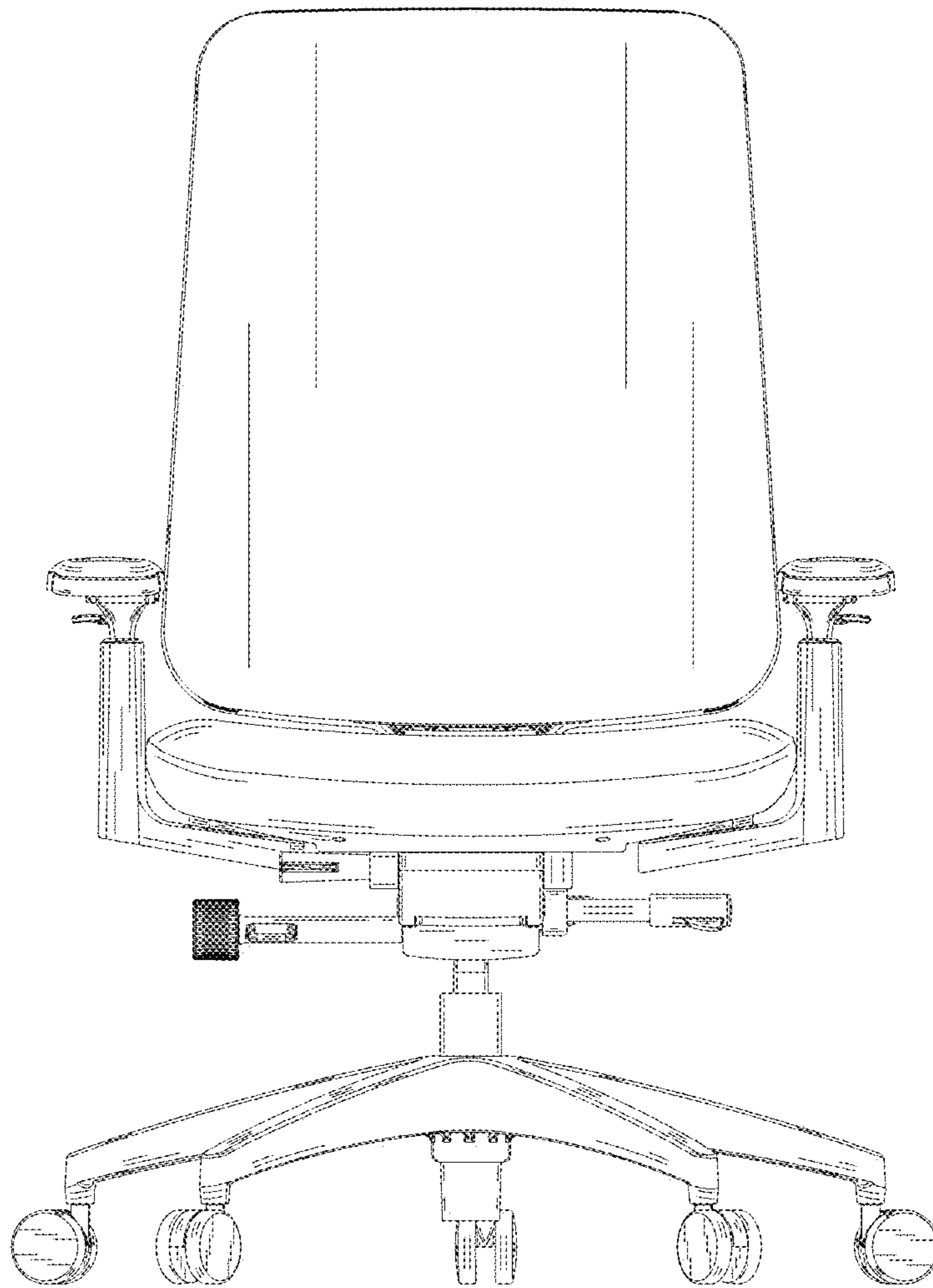


FIG. 1

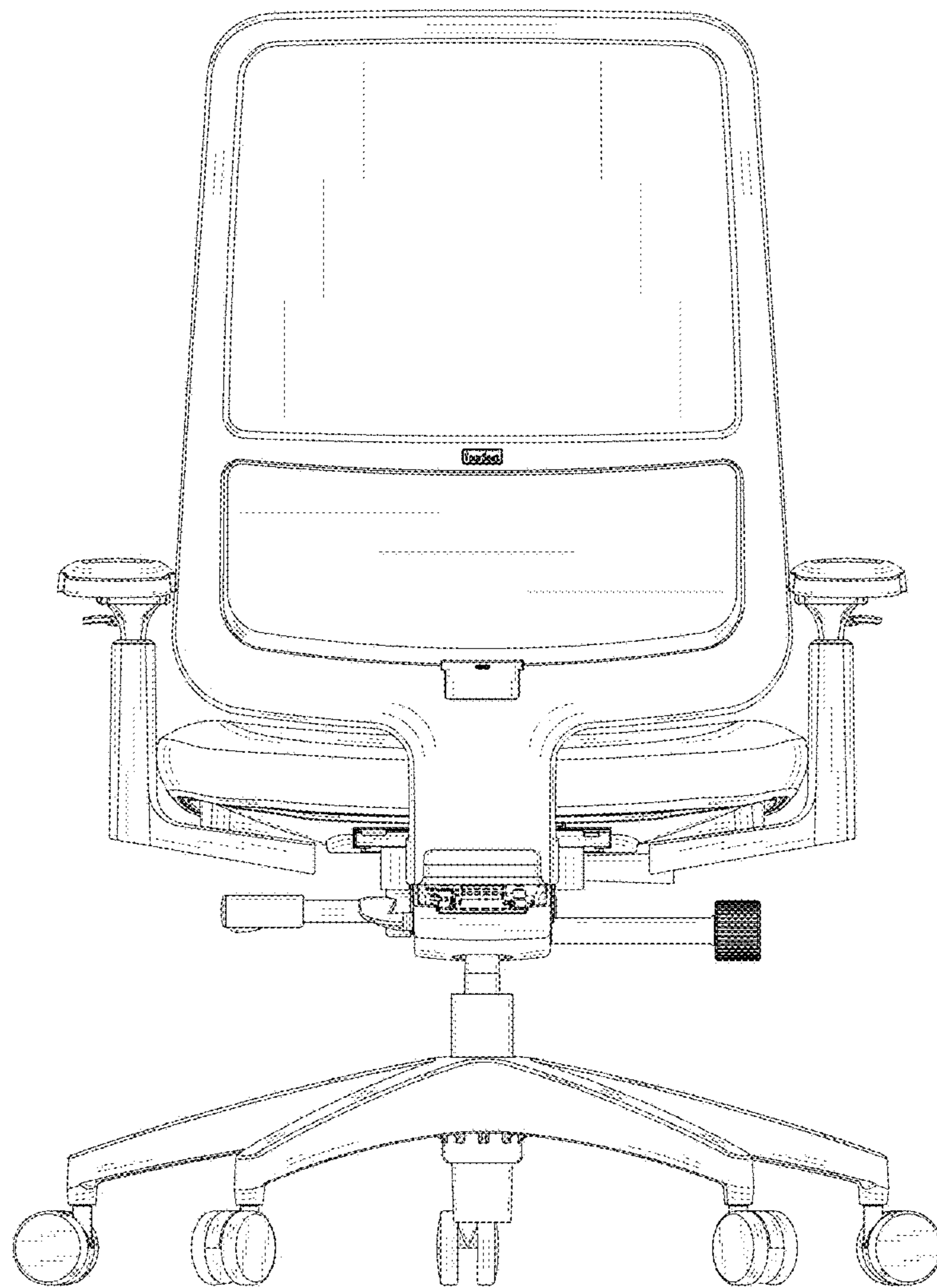


FIG. 2

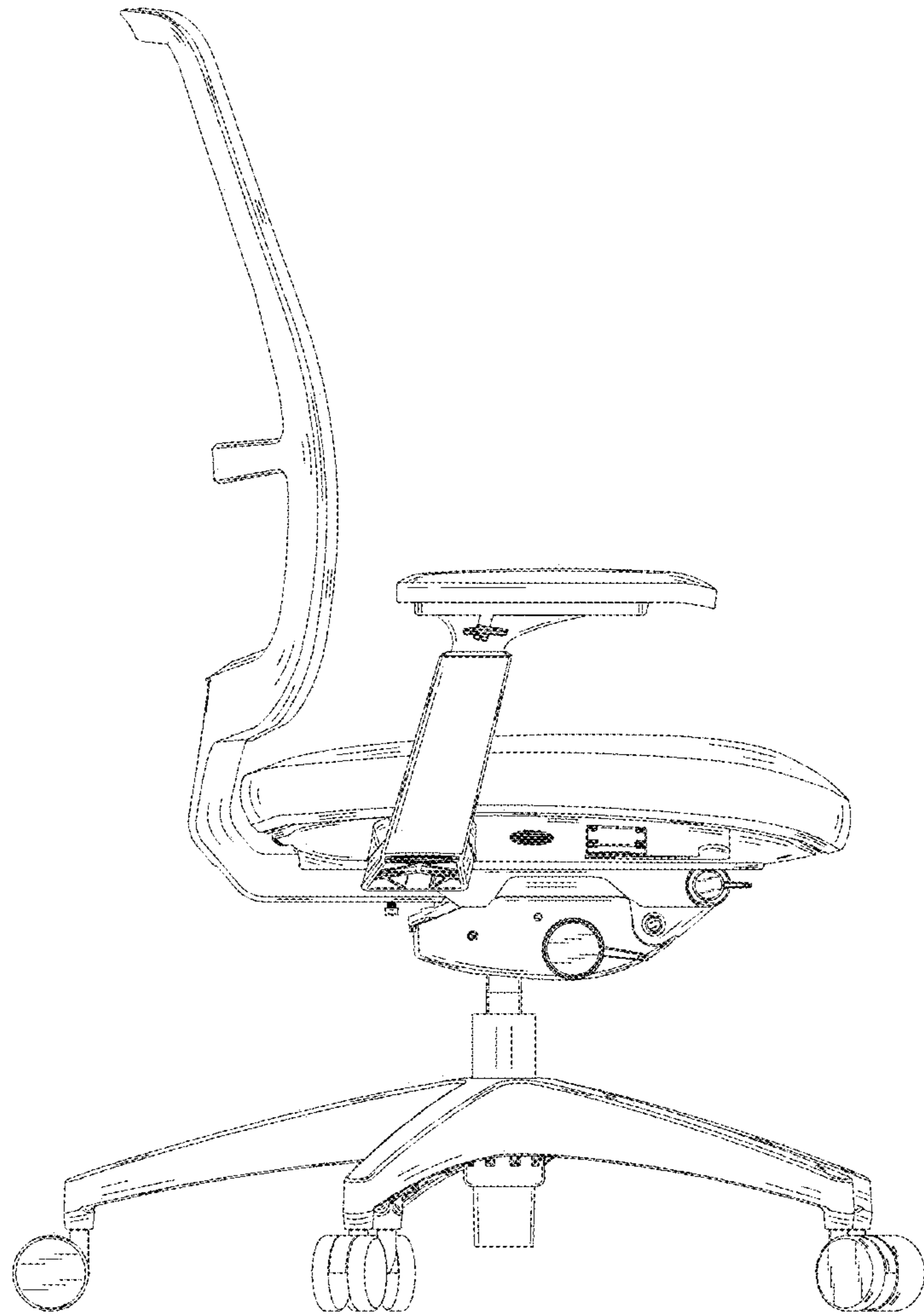


FIG. 3

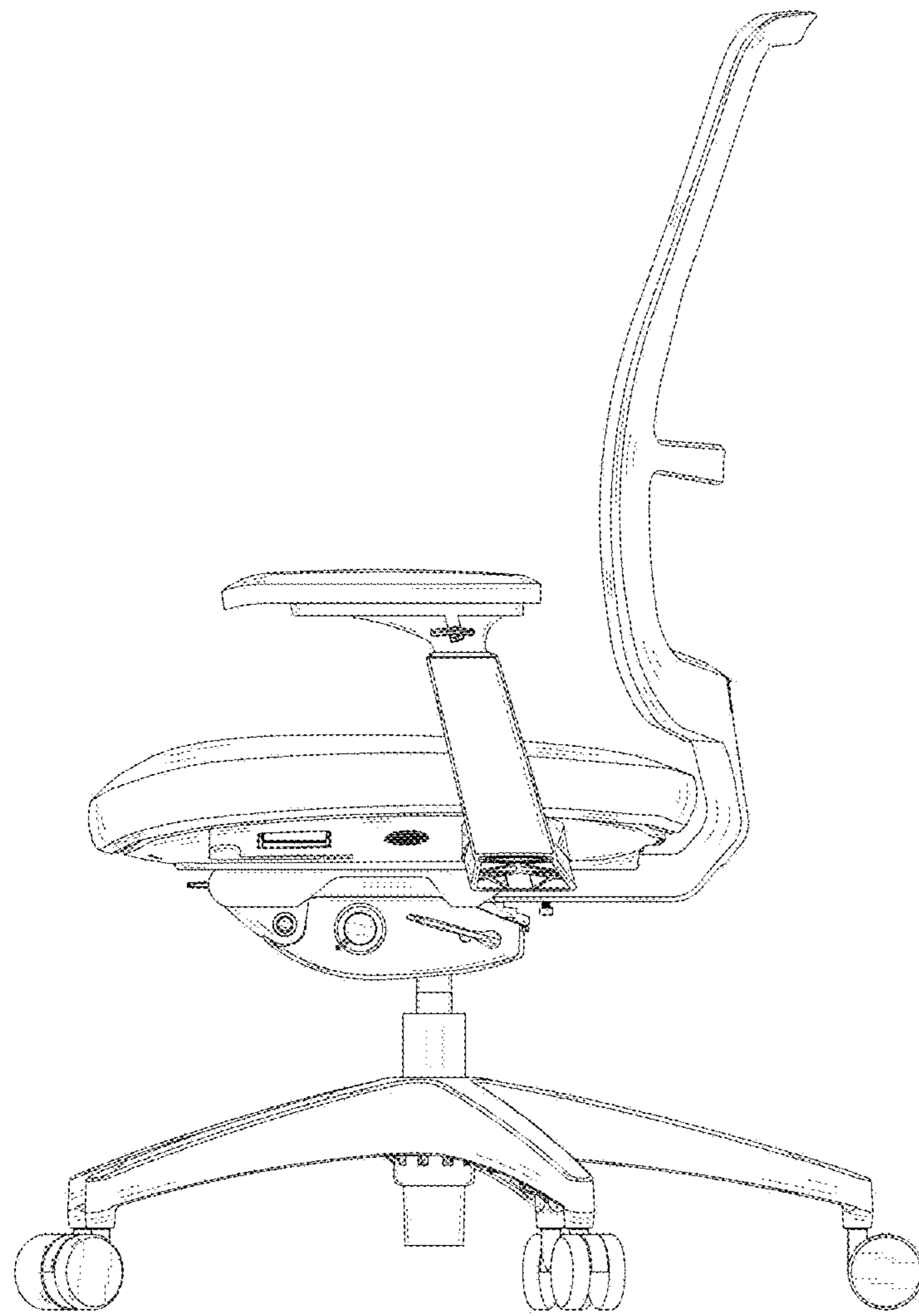


FIG. 4

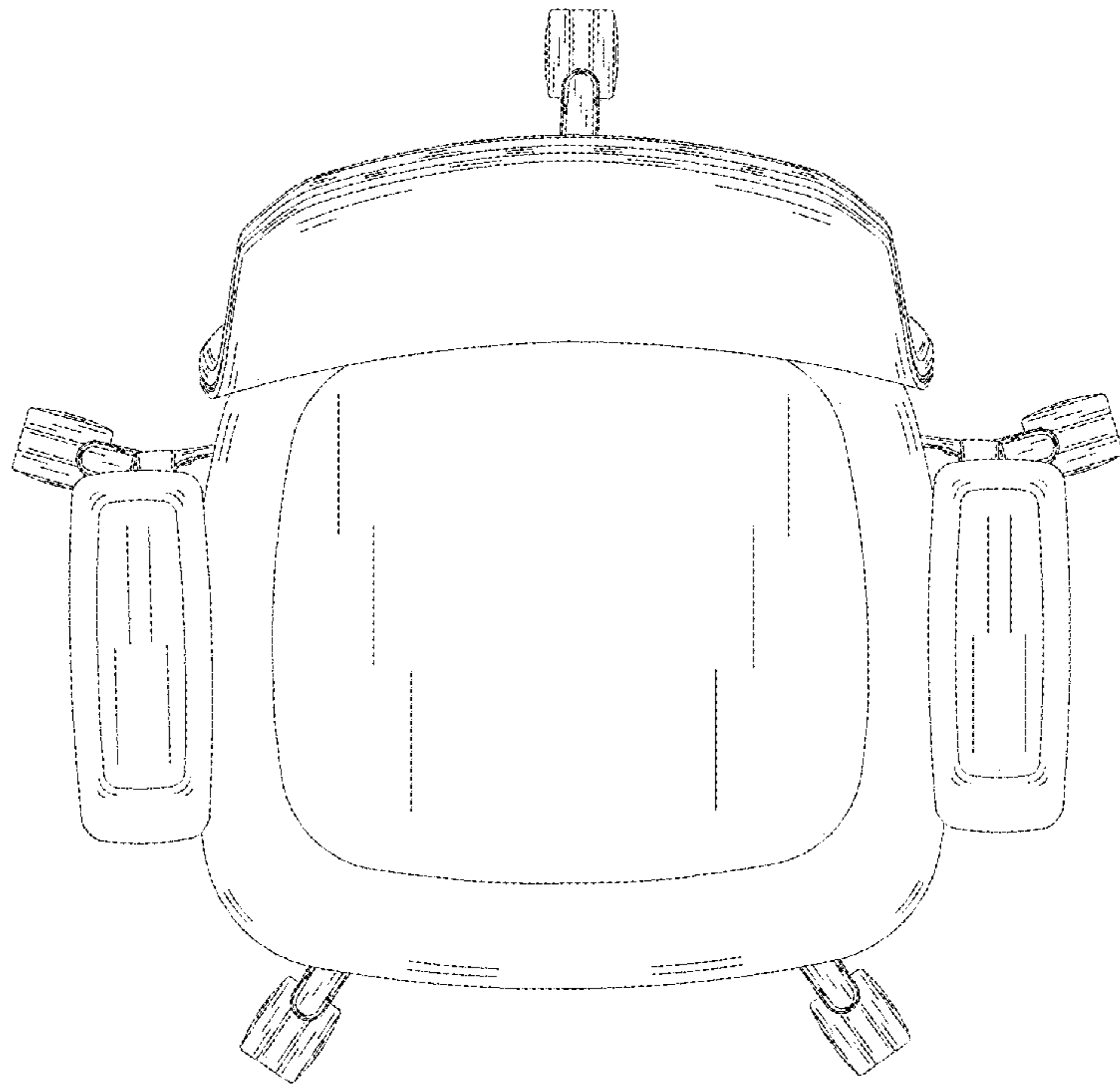


FIG. 5

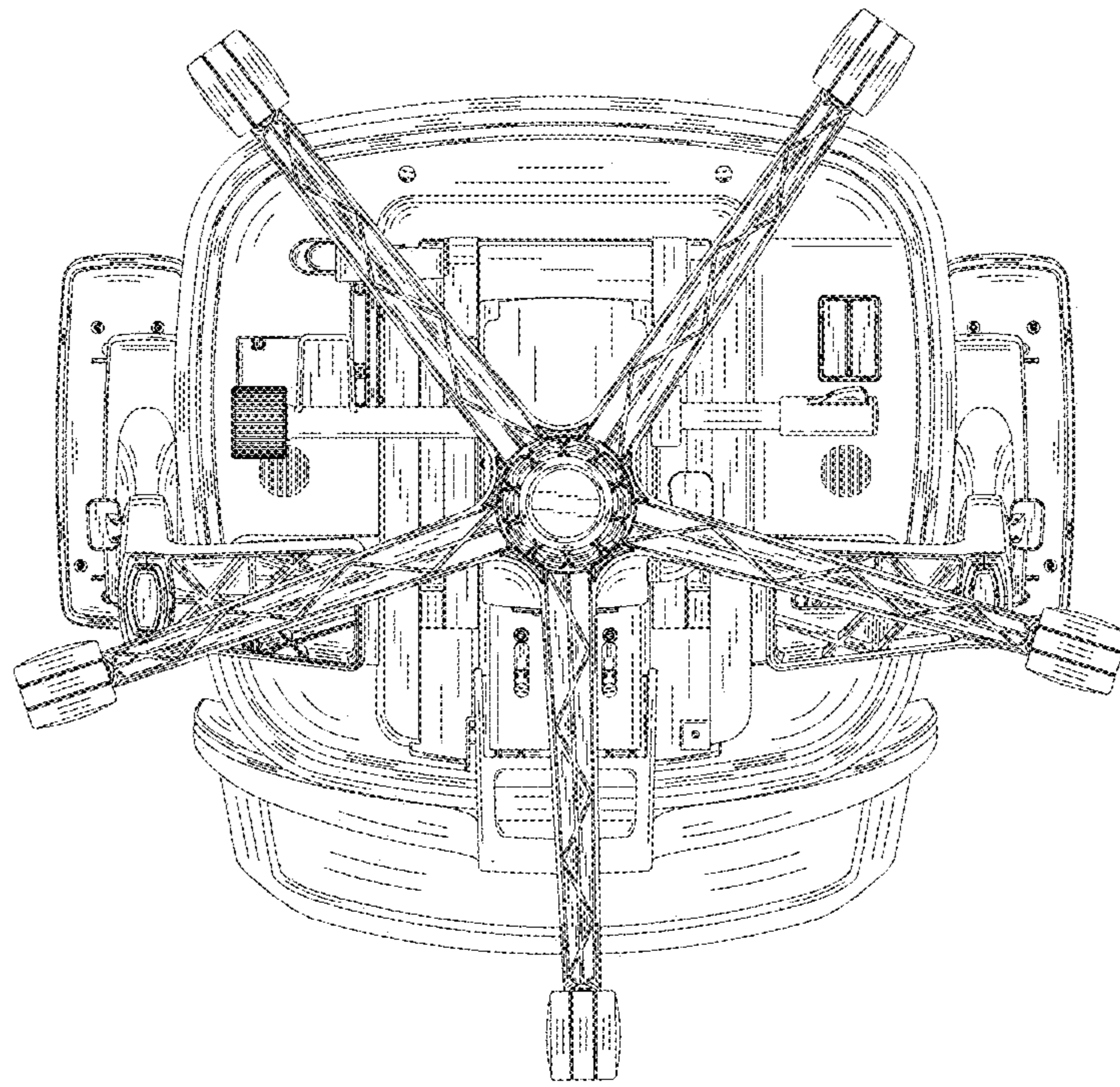


FIG. 6

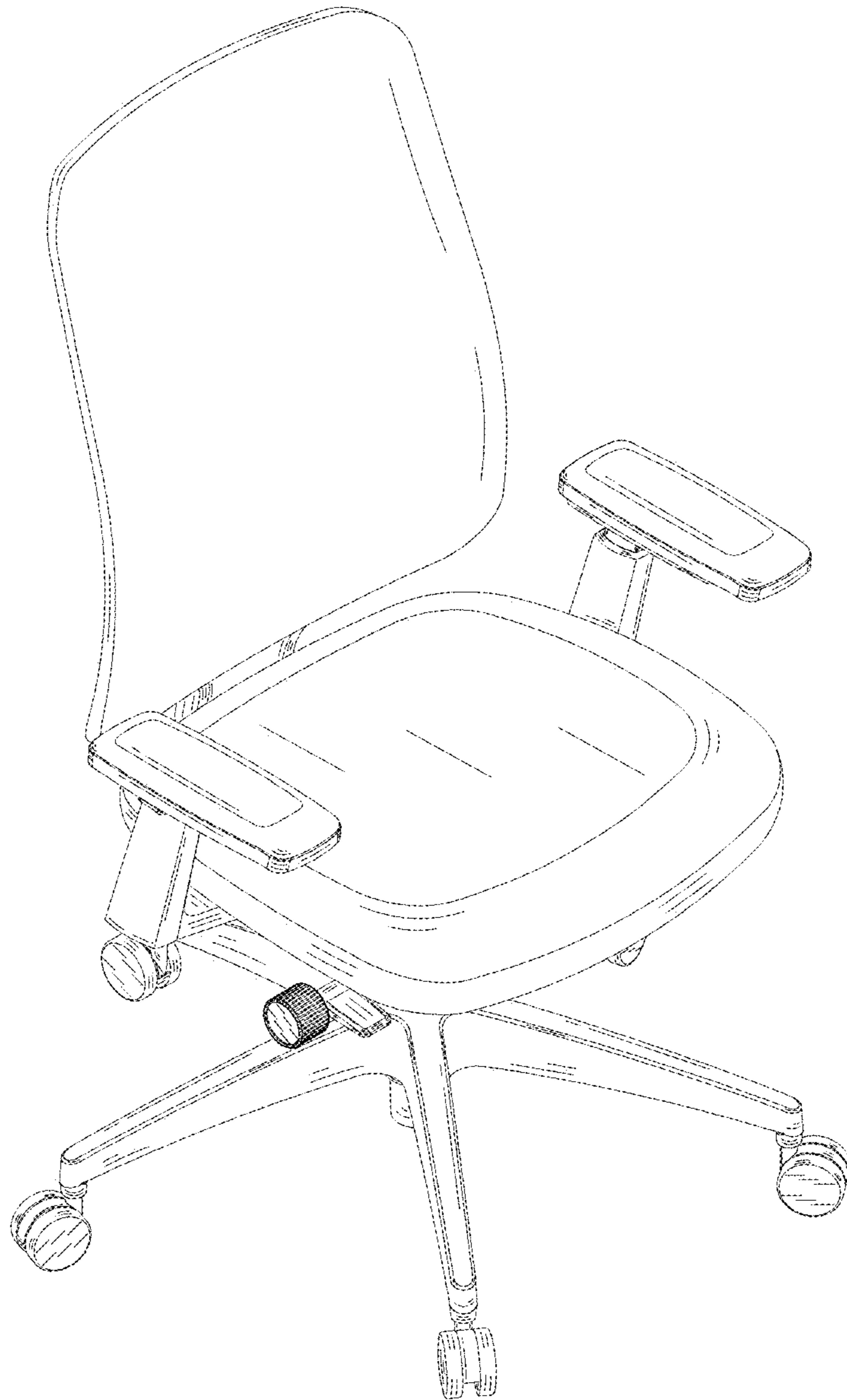


FIG. 7

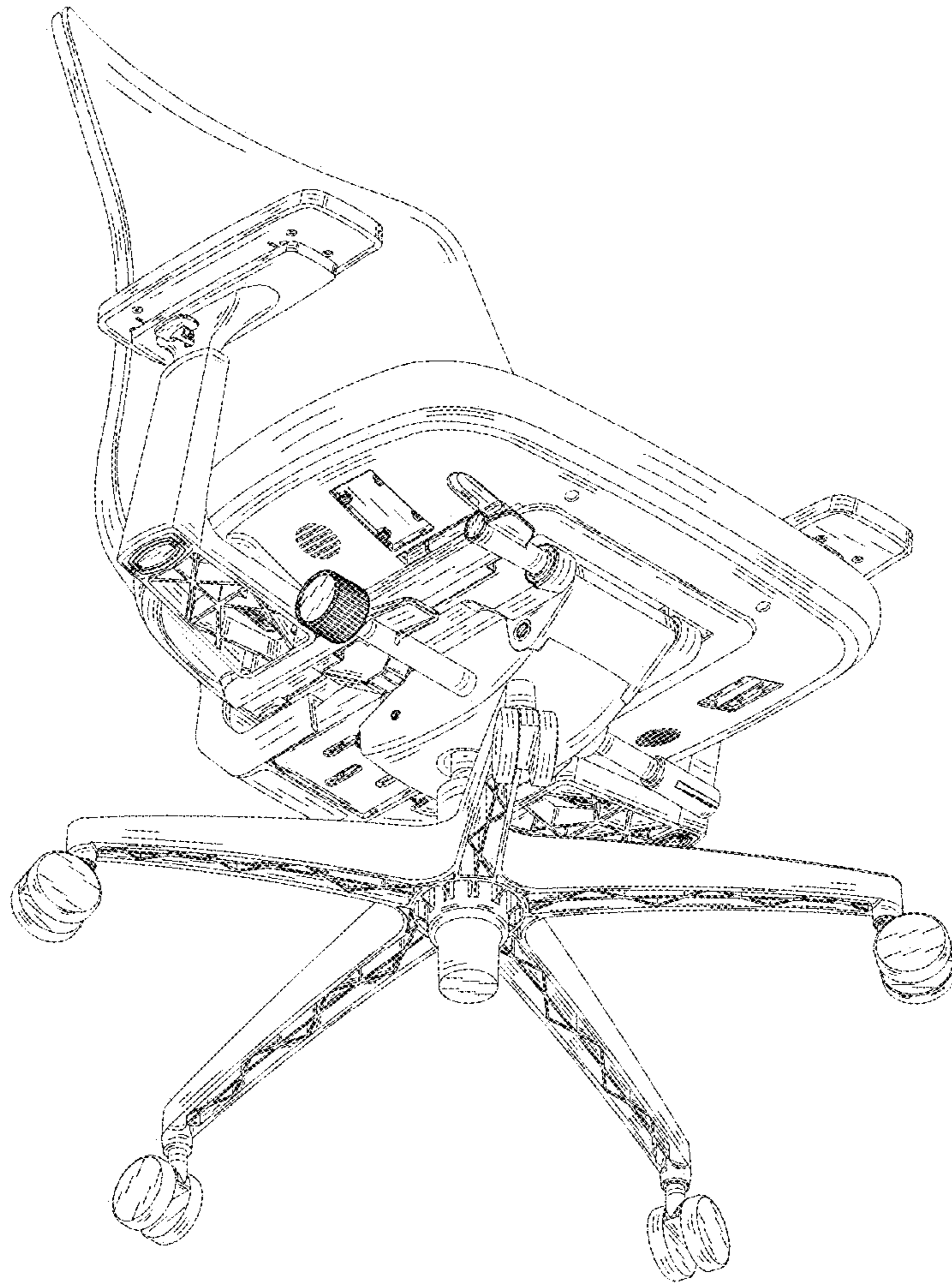


FIG. 8