



US00D906705S

(12) **United States Design Patent**
Jang

(10) **Patent No.:** **US D906,705 S**

(45) **Date of Patent:** **** Jan. 5, 2021**

(54) **FOLDING SOFA**
(71) Applicant: **IPMC Inc.**, Seoul (KR)
(72) Inventor: **Young Woo Jang**, Seoul (KR)
(**) Term: **15 Years**
(21) Appl. No.: **35/507,230**
(22) Filed: **Dec. 24, 2018**

(80) **Hague Agreement Data**
Int. Filing Date: **Dec. 24, 2018**
Int. Reg. No.: **DM/202228**
Int. Reg. Date: **Dec. 24, 2018**
Int. Reg. Pub. Date: **Aug. 16, 2019**

(51) **LOC (13) Cl.** **06-01**
(52) **U.S. Cl.**
USPC **D6/361; D6/335**

(58) **Field of Classification Search**
USPC D6/335, 360, 631, 381
CPC A47C 1/00; A47C 3/00; A47C 3/16; A47C
5/00; A47C 7/00; A47C 7/02; A47C 7/14;
A47C 7/16; A47C 13/00; A47C 17/045;
A47C 17/1655; A47C 20/026; A47C
21/00
See application file for complete search history.

(56) **References Cited**
U.S. PATENT DOCUMENTS
433,905 A * 8/1890 Muller A47C 21/006
5/694
2,896,695 A * 7/1959 Ashworth A47C 13/00
297/105
3,672,720 A * 6/1972 Wilson A47C 3/16
297/118

3,742,526 A * 7/1973 Lillard A47C 17/045
5/12.1
3,829,913 A * 8/1974 Bernard A47C 17/1655
5/46.1
3,902,759 A * 9/1975 Monteforte A47C 17/045
297/452.16
3,988,034 A * 10/1976 Fister, Jr. A47C 3/16
297/452.6
4,905,330 A * 3/1990 Jacobs A47C 17/045
482/23
4,987,625 A * 1/1991 Edelson A47C 20/026
5/420
5,867,849 A * 2/1999 Pontrello A47C 3/16
5/2.1
6,170,908 B1 * 1/2001 Jewell A47C 13/00
297/118
D621,628 S * 8/2010 Saul A47C 21/006
D6/335

* cited by examiner

Primary Examiner — Mary Ann Calabrese

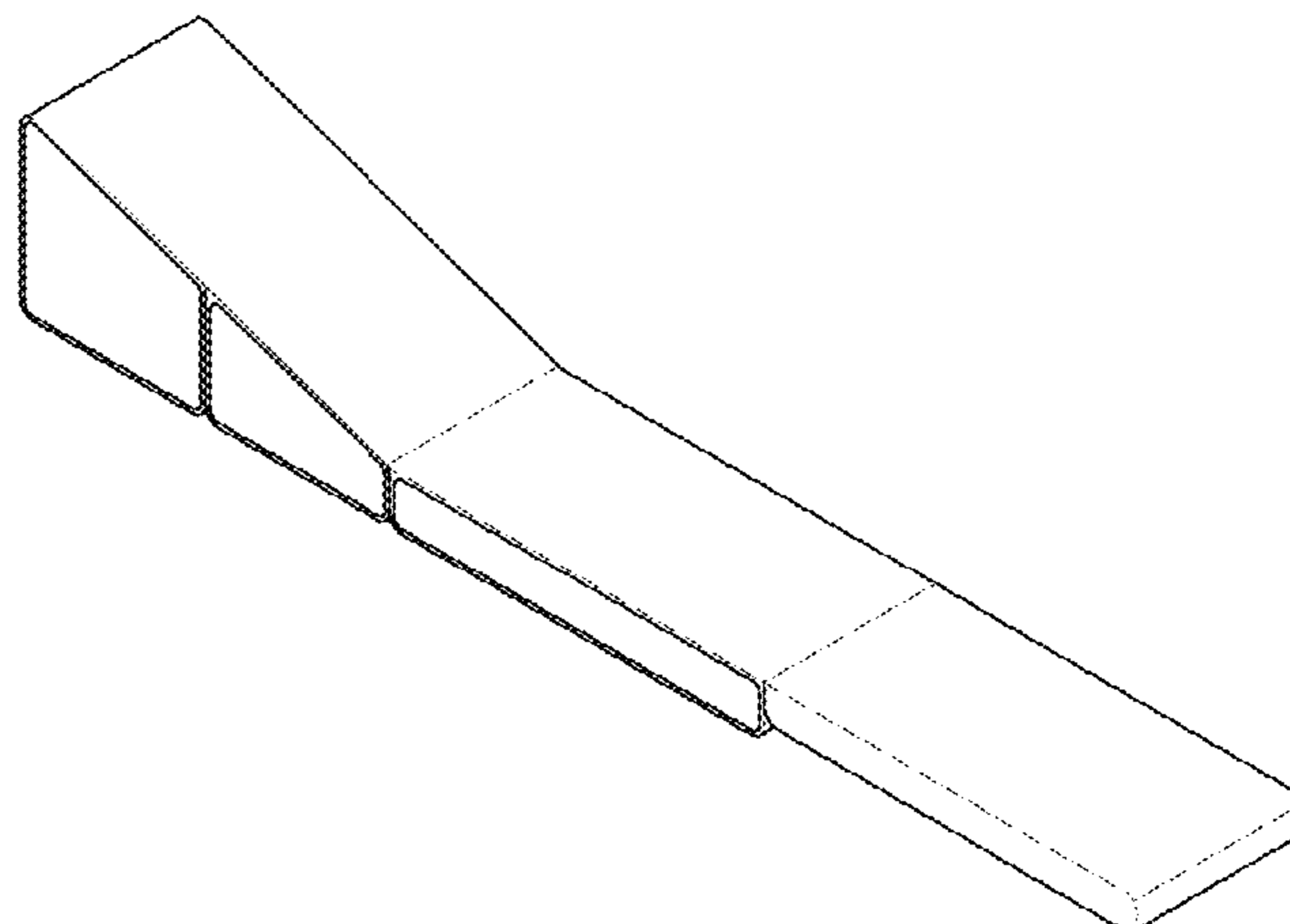
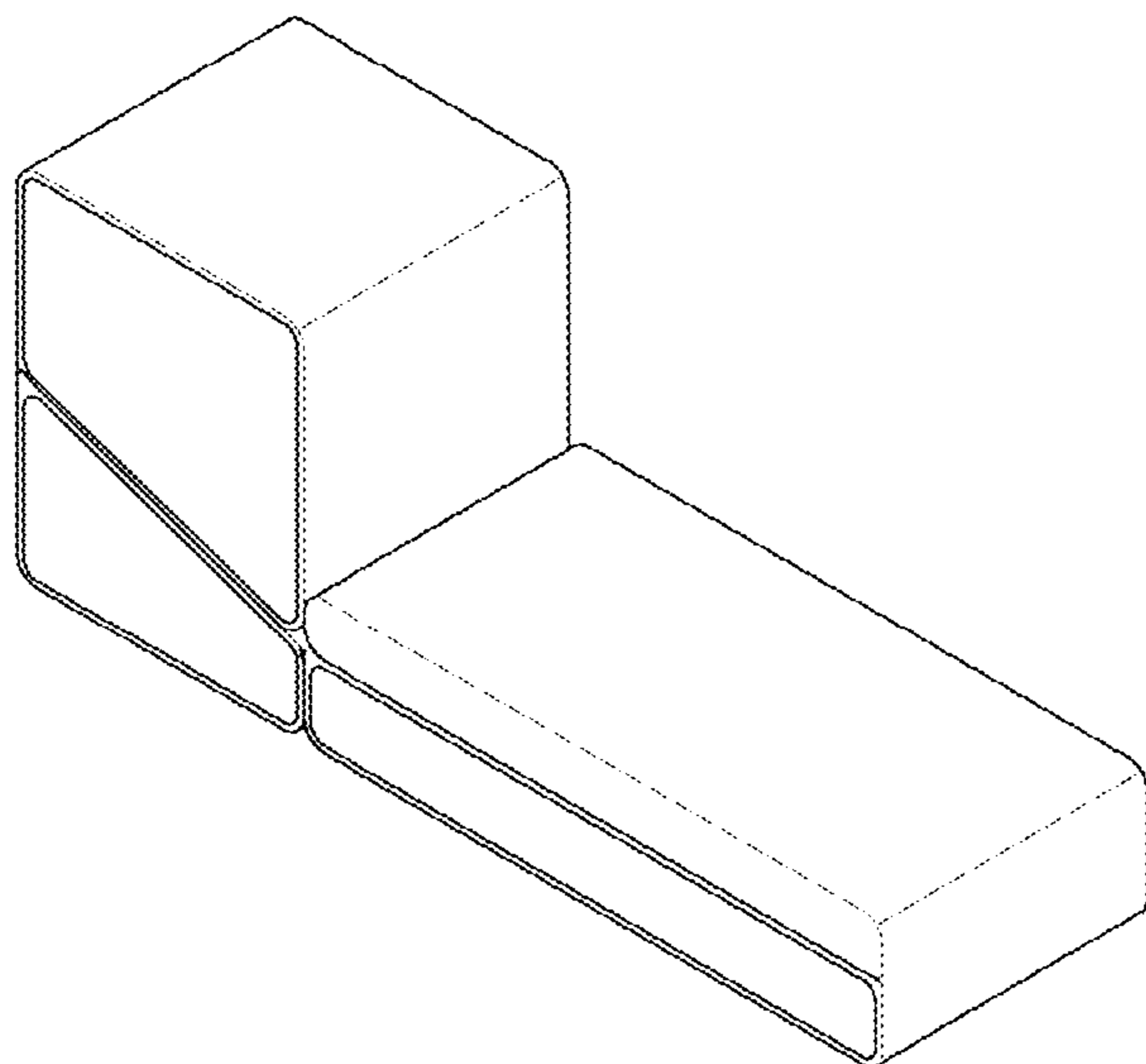
(57) **CLAIM**

The ornamental design for a folding sofa, as shown and described.

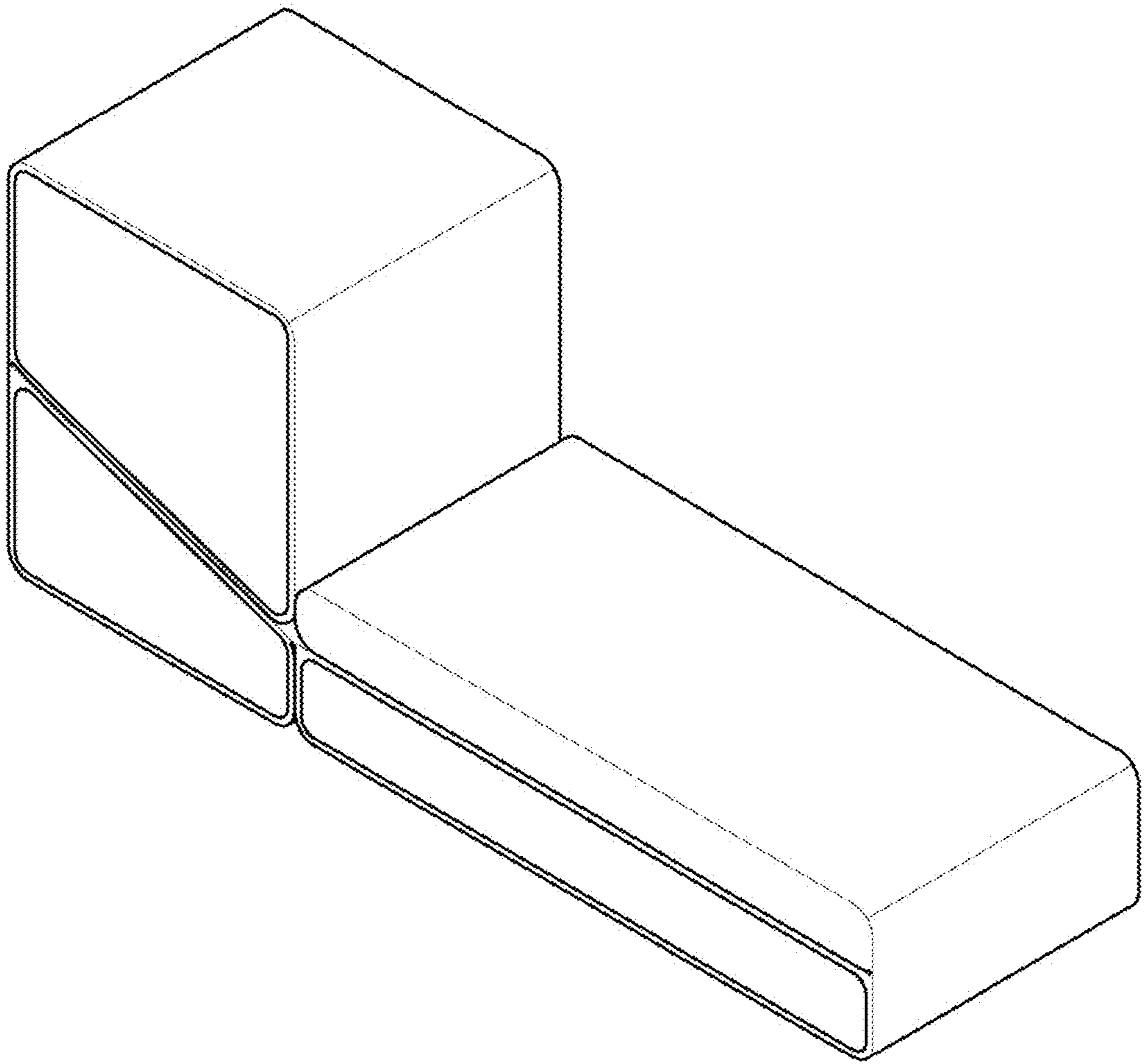
DESCRIPTION

1. Folding sofa
1.1 : Perspective
1.2 : Front
1.3 : Back
1.4 : Top
1.5 : Bottom
1.6 : Left
1.7 : Right
1.8 : Perspective view shown in an alternate configuration of use
This article is a sofa which is foldable.

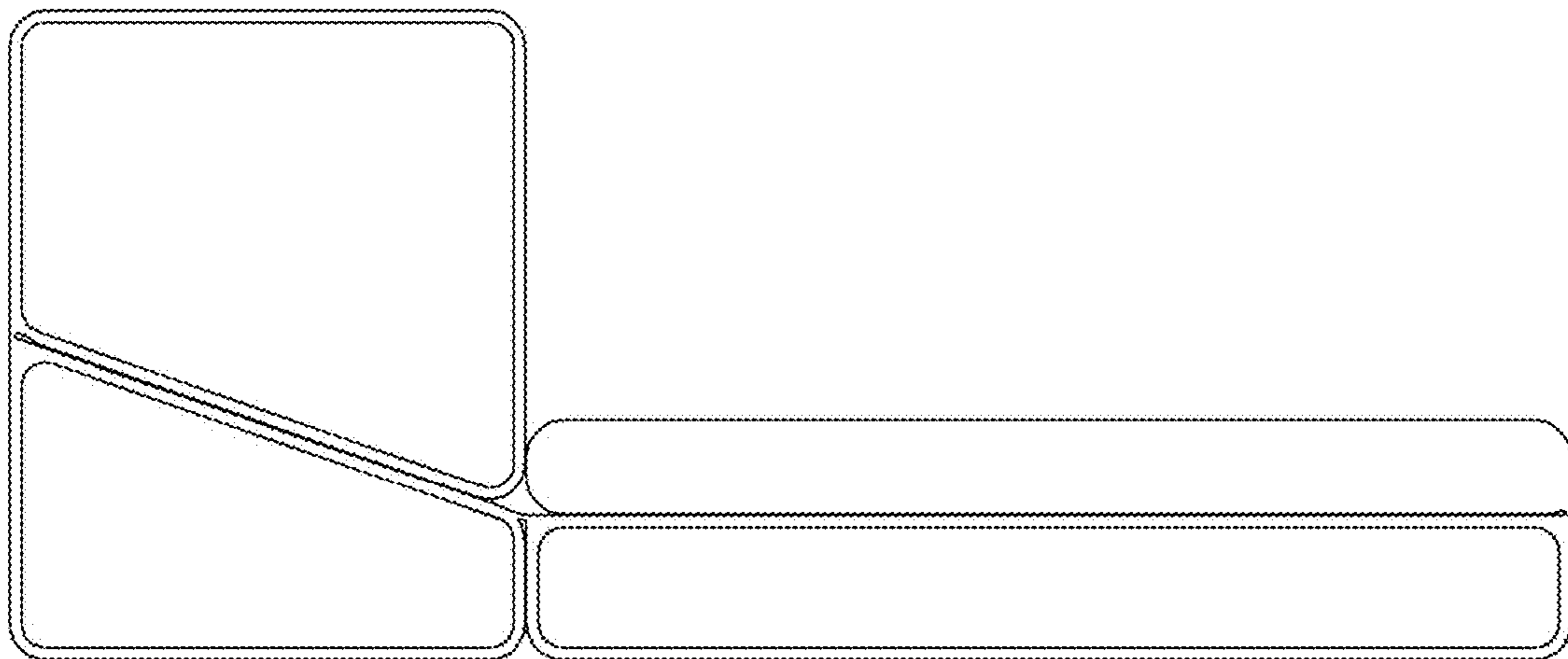
1 Claim, 8 Drawing Sheets



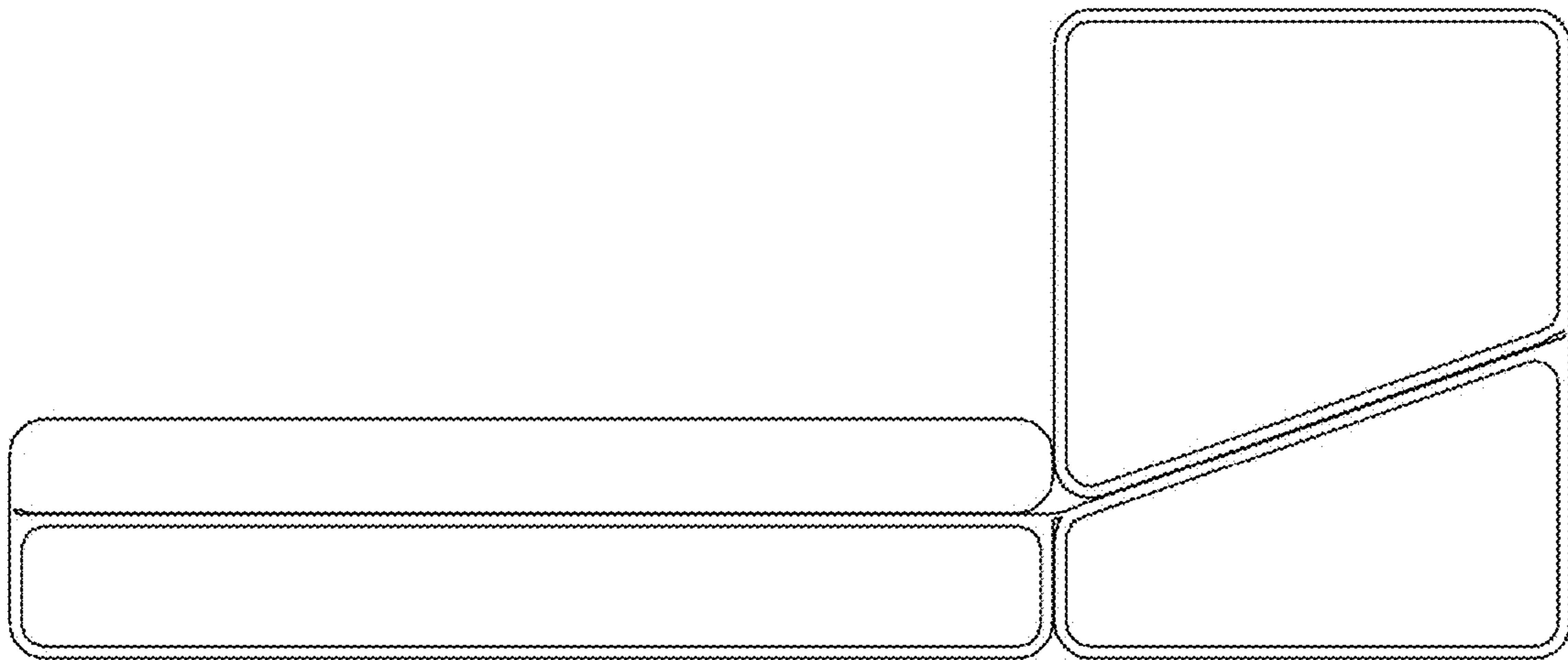
1.1



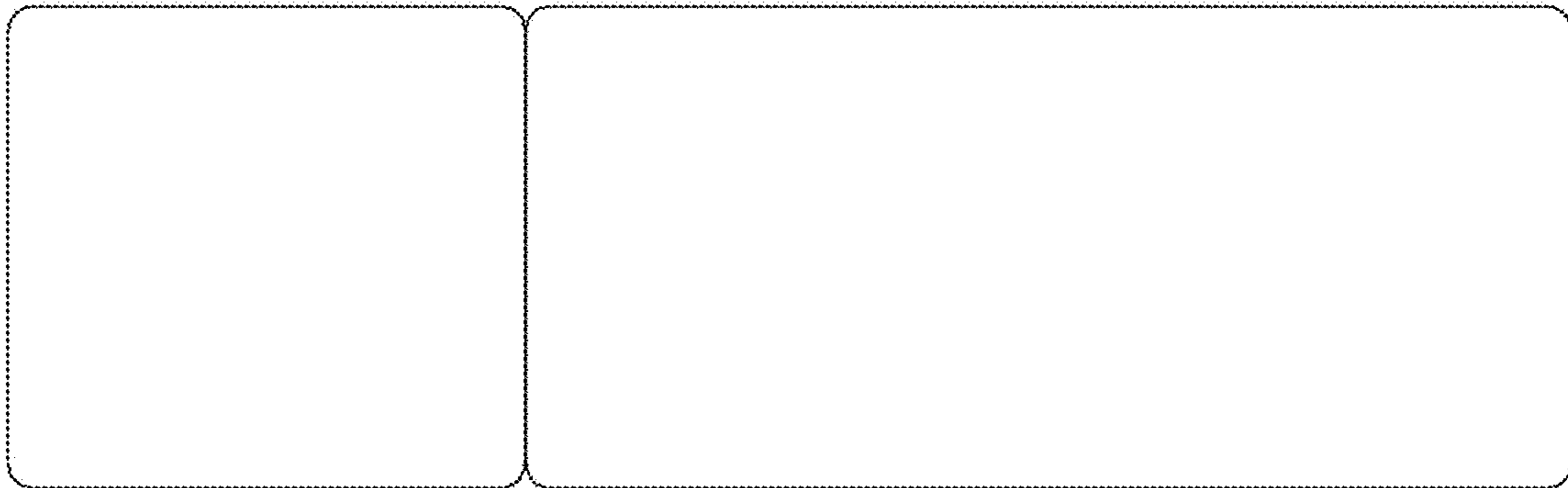
1.2



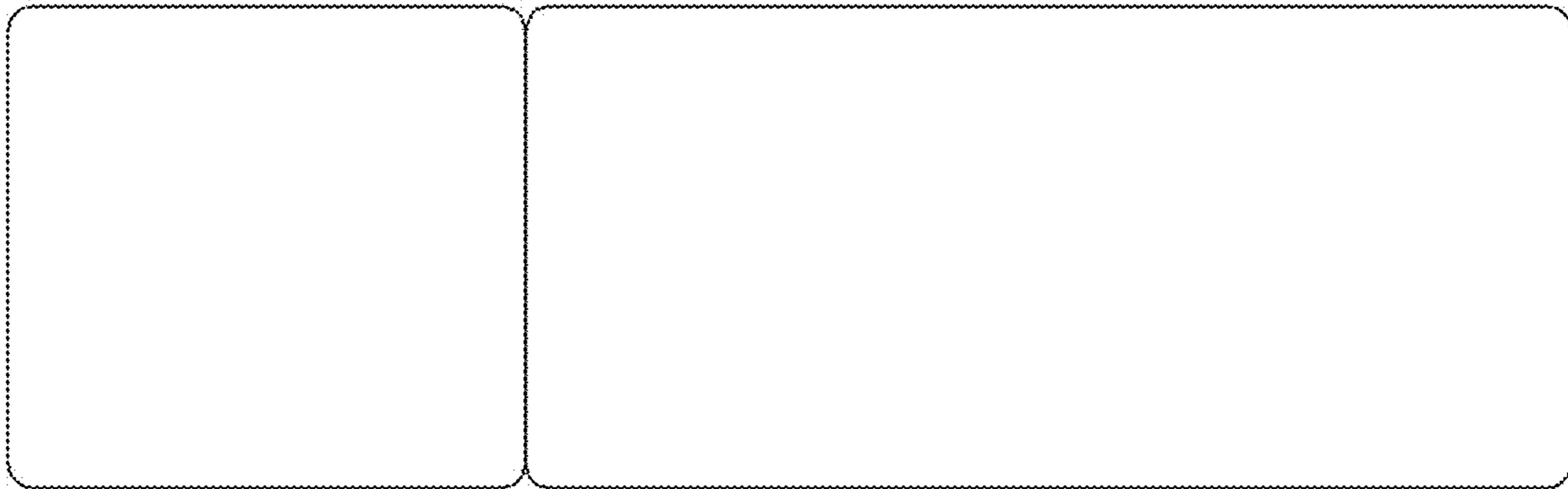
1.3



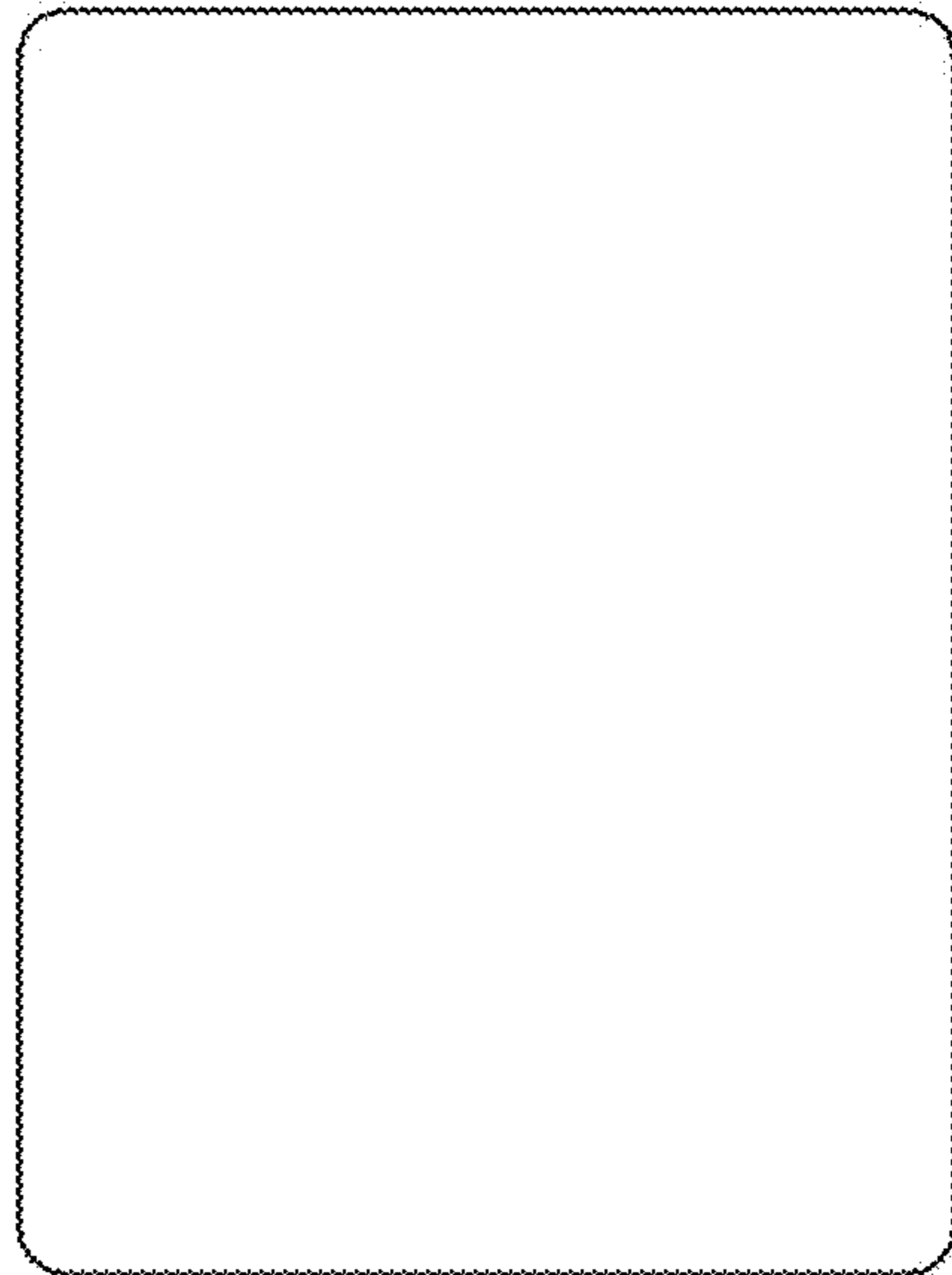
1.4



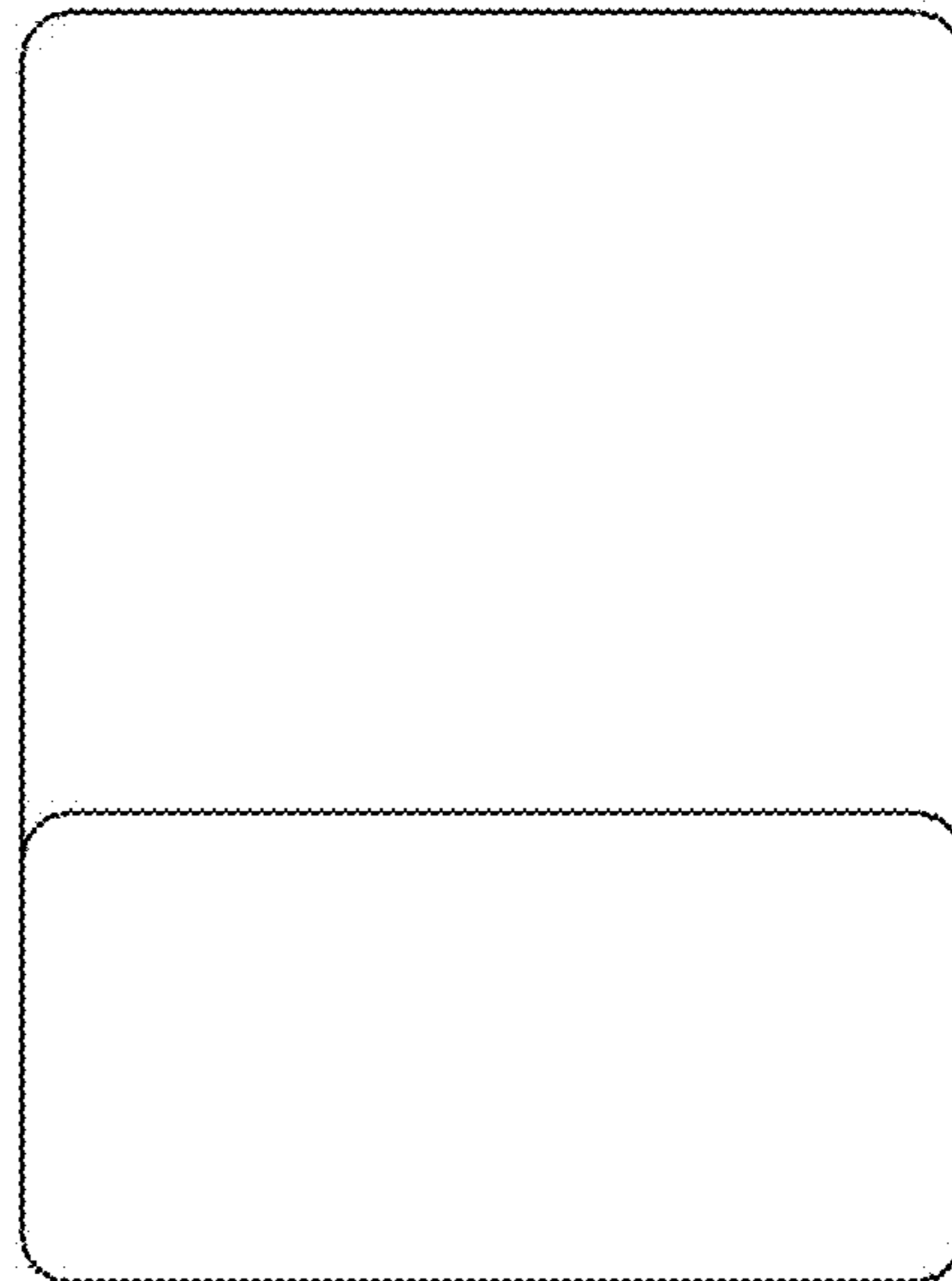
1.5



1.6



1.7



1.8

