



US00D906699S

(12) **United States Design Patent**
Healy et al.

(10) **Patent No.:** **US D906,699 S**
(45) **Date of Patent:** **** Jan. 5, 2021**

(54) **WALL PANEL FOR PLAY ENCLOSURE**

(71) Applicant: **Skip Hop, Inc.**, New York, NY (US)

(72) Inventors: **John Healy**, Brooklyn, NY (US); **Erin Knowlton**, Brooklyn, NY (US); **Hui Jin**, New York, NY (US)

(73) Assignee: **SKIP HOP, INC.**, New York, NY (US)

(**) Term: **15 Years**

(21) Appl. No.: **29/666,686**

(22) Filed: **Oct. 15, 2018**

(51) **LOC (13) Cl.** **06-06**

(52) **U.S. Cl.**
USPC **D6/331**

(58) **Field of Classification Search**
USPC D6/331, 332, 391; D21/698; D25/38.1,
D25/48.5; D30/108, 114, 119
CPC A47D 13/065; A47D 13/06; A47D 15/00;
E04H 17/18; E04H 2017/1491; A01K
3/00; E06B 2009/002
See application file for complete search history.

(56) **References Cited**

U.S. PATENT DOCUMENTS

913,075 A	2/1909	Villard	
2,011,528 A	8/1935	Seay	
2,490,296 A *	12/1949	Fournier	A47D 13/065 5/99.1
3,469,822 A *	9/1969	O'Brien	E04H 17/18 256/25
3,777,321 A *	12/1973	Hargett	A47D 13/065 5/99.1
4,100,633 A	7/1978	Pintos	
4,346,671 A *	8/1982	Wagner	A01K 3/00 119/60
4,645,183 A	2/1987	Ratray et al.	
4,669,138 A	7/1987	Kassai	

4,712,773 A	12/1987	Larson
5,544,870 A	8/1996	Kelly et al.
5,881,789 A	3/1999	Melashenko et al.
5,993,287 A	11/1999	Melashenko et al.

(Continued)

FOREIGN PATENT DOCUMENTS

CN	101366584	2/2009
CN	202627364	12/2012
WO	WO-2014041887	3/2014

OTHER PUBLICATIONS

“Skip Hop Portable Baby Playard Expandable Enclosure.” Found online Jul. 1, 2020 at www.amazon.in. Product first available Jan. 14, 2019. Retrieved from URL: <https://www.amazon.in/Portable-Playard-Expandable-Enclosure-Silver/dp/B07L5W4FRB> (Year: 2019).*

(Continued)

Primary Examiner — Mary Ann Calabrese

Assistant Examiner — Katelin G Kloberg

(74) *Attorney, Agent, or Firm* — Stephen J. Weyer, Esq.; James R. Hayne, Esq.; Stites & Harbison, PLLC

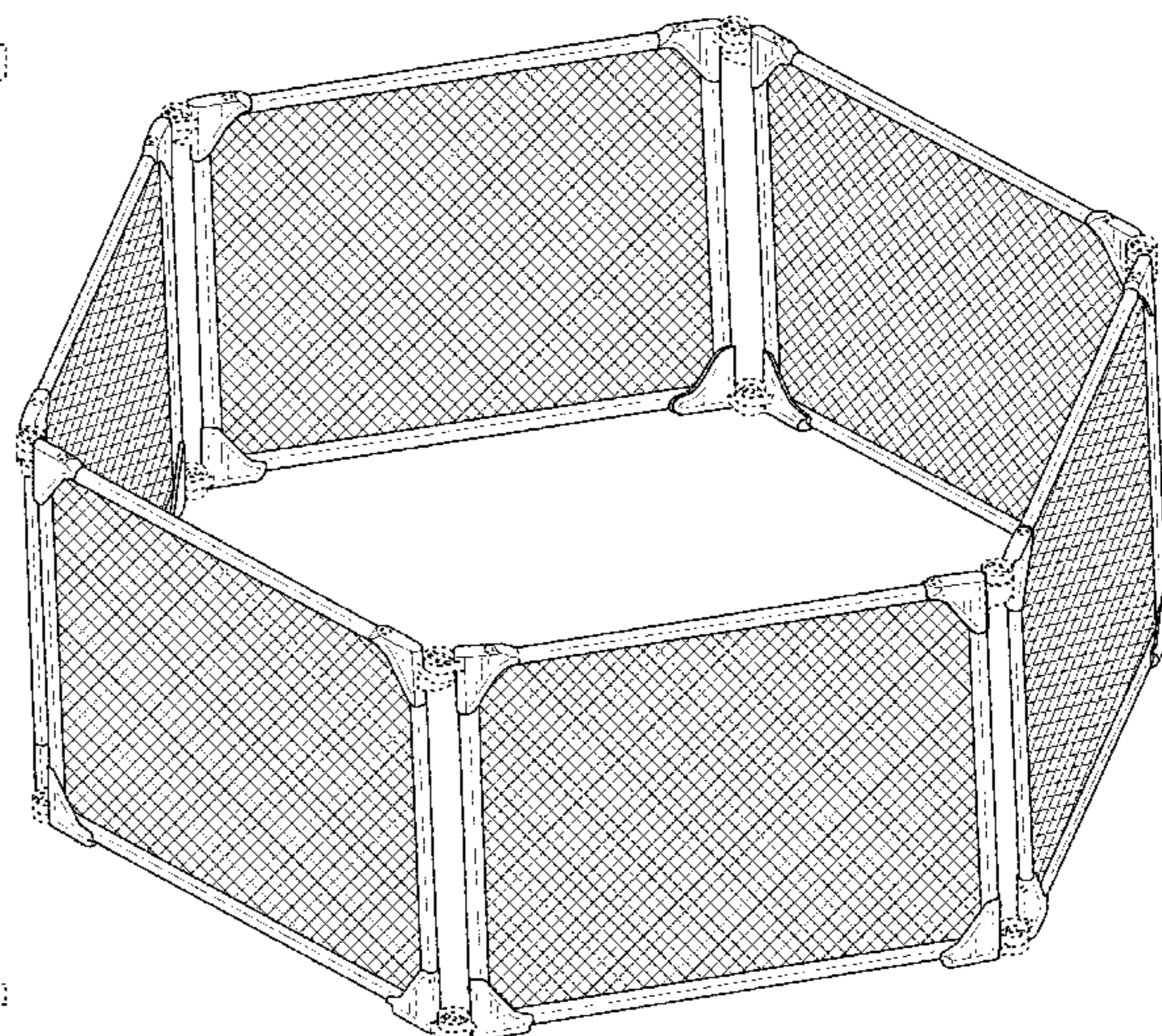
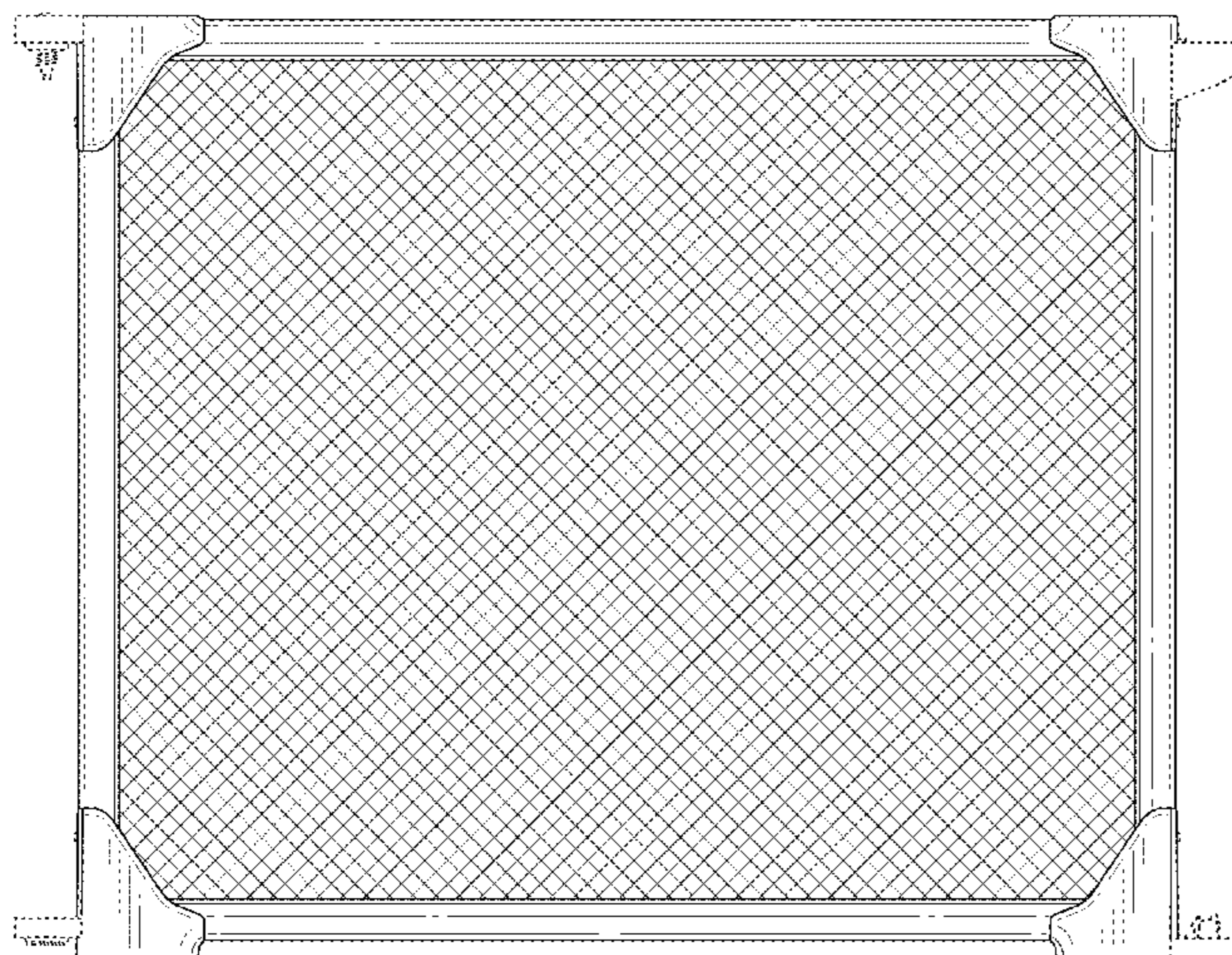
(57) **CLAIM**

The ornamental design for a wall panel for play enclosure, as shown and described.

DESCRIPTION

FIG. 1 is a front elevation view a wall panel for play enclosure, showing a first embodiment of our new design. FIG. 2 is rear elevation view thereof. FIG. 3 is a top plan view of thereof. FIG. 4 is a bottom plan view thereof. FIG. 5 is a right side elevation view thereof. FIG. 6 is a left side elevation view thereof; and, FIG. 7 is a perspective view of a wall panel for play enclosure, showing a second embodiment of of our new design.

1 Claim, 7 Drawing Sheets



(56)

References Cited

U.S. PATENT DOCUMENTS

6,027,104 A 2/2000 Alexander
 D573,313 S * 7/2008 Bing-sen D30/119
 D622,790 S * 8/2010 Brown D21/698
 7,887,029 B2 2/2011 Flannery et al.
 8,267,048 B2 9/2012 Flannery et al.
 D708,354 S 7/2014 Weisbeck et al.
 D714,596 S * 10/2014 Forno D8/1
 D714,960 S 10/2014 Weisbeck
 8,944,415 B2 2/2015 Sirotin et al.
 9,119,375 B2 9/2015 Flannery et al.
 9,215,860 B2 12/2015 Hsieh et al.
 D747,001 S * 1/2016 Gessford D25/38.1
 9,320,363 B1 * 4/2016 Beaver A47D 13/06
 D866,086 S * 11/2019 Chen D30/114
 10,683,700 B2 * 6/2020 Wang E06B 9/04
 2007/0017156 A1 1/2007 Robinson et al.

2007/0210293 A1* 9/2007 Cheng E04H 17/18
 256/26
 2013/0152867 A1 6/2013 Kaneda et al.
 2014/0061563 A1 3/2014 Weisbeck et al.
 2015/0366160 A1 12/2015 Flannery et al.

OTHER PUBLICATIONS

“Arkmiido Kids Playpen Fence.” Found online Jul. 1, 2020 at www.amazon.in. Product first available Jul. 14, 2019. Retrieved from URL: <https://tinyurl.com/ya4yfg2> (Year: 2019).*

“AmazonBasics Foldable Metal Pet Dog Exercise Fence Pen.” Found online Jul. 1, 2020 at www.amazon.in. Product first available Nov. 21, 2018. Retrieved from URL: <https://tinyurl.com/yaqbj9rq> (Year: 2018).*

“North States MyPet Indoor-Outdoor Petyard.” Found online Jul. 1, 2020 at www.amazon.com. Product reviewed Sep. 8, 2016. Retrieved from URL: <https://tinyurl.com/y79e53ec> (Year: 2016).*

* cited by examiner

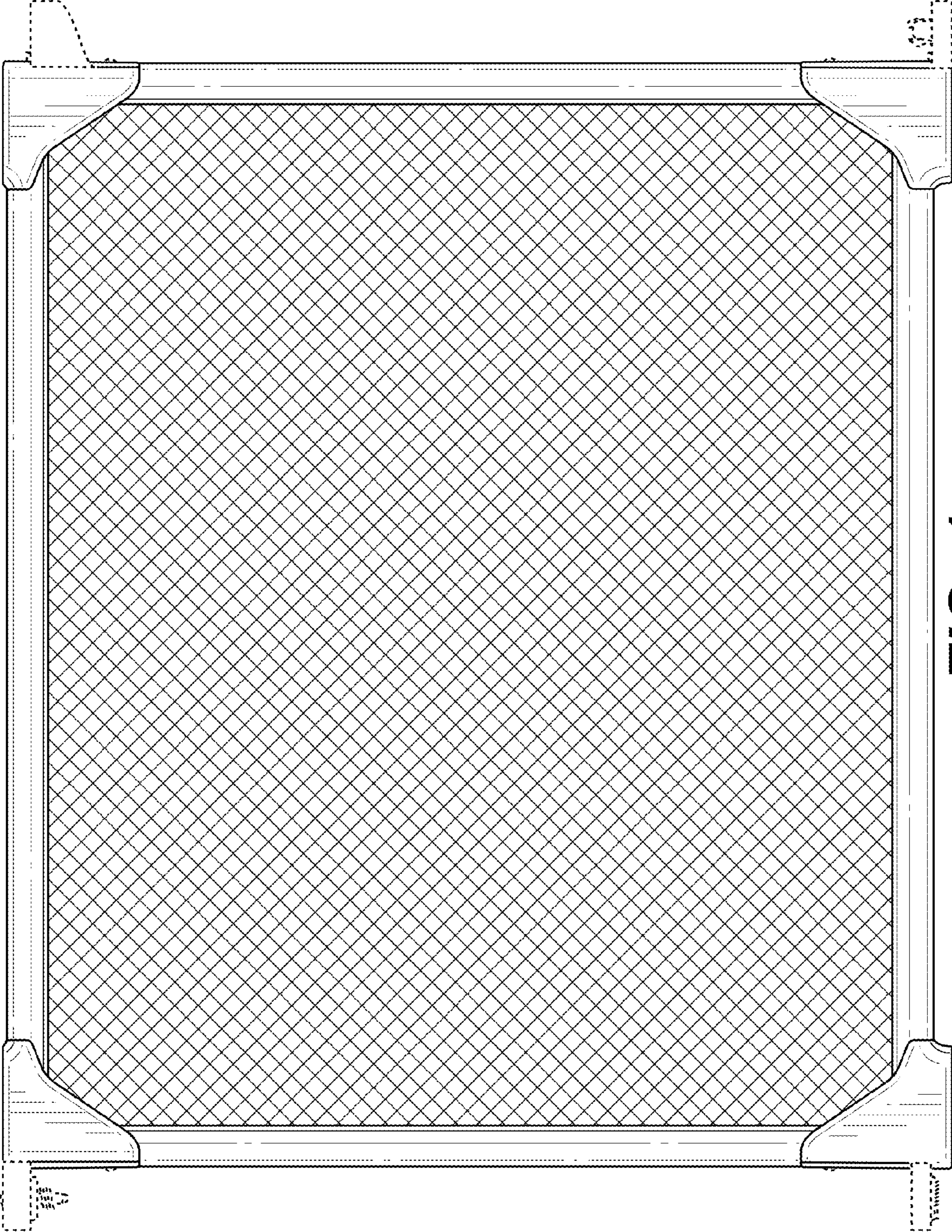


FIG. 1

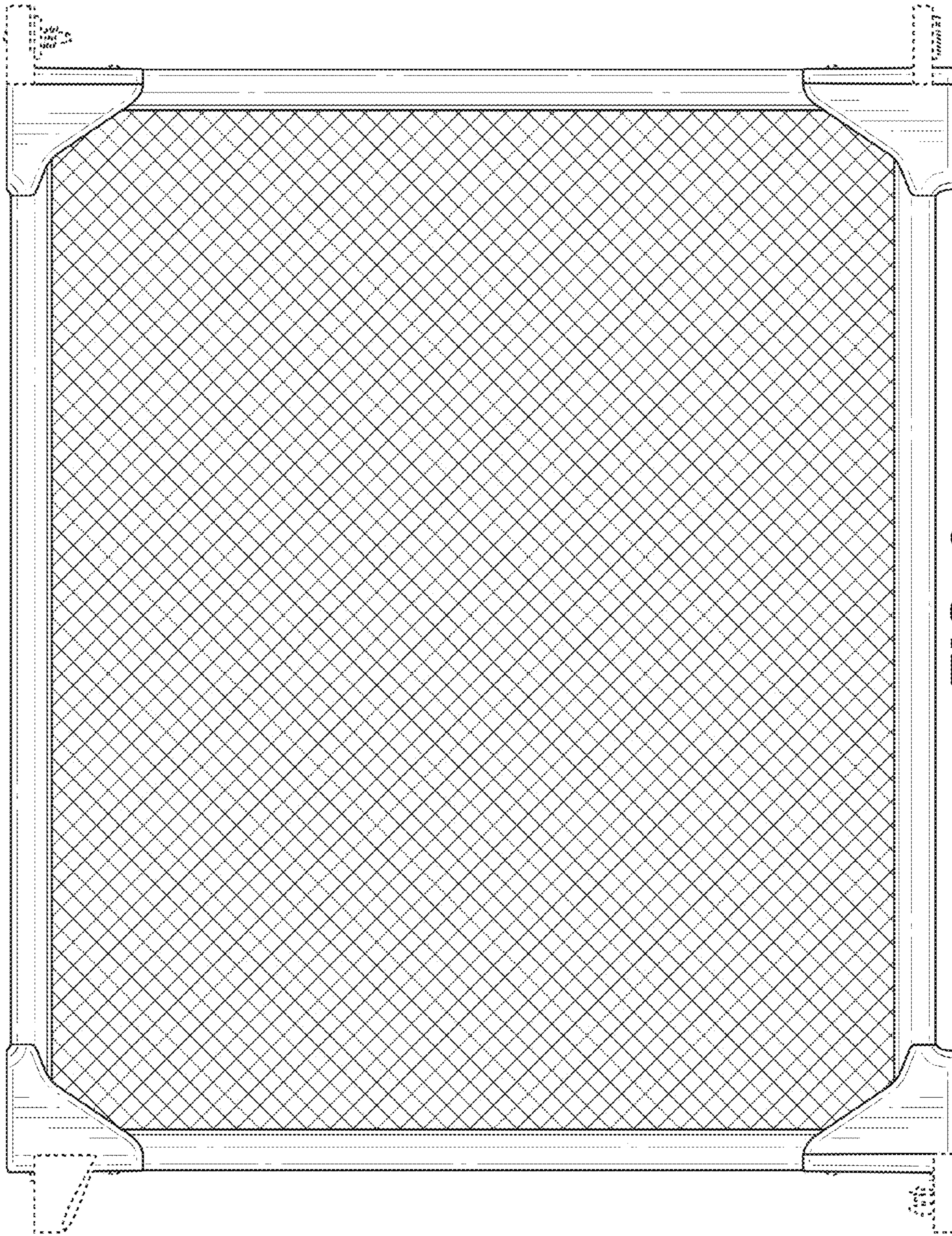


FIG. 2

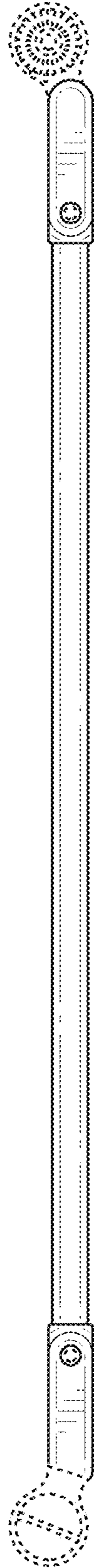


FIG. 3

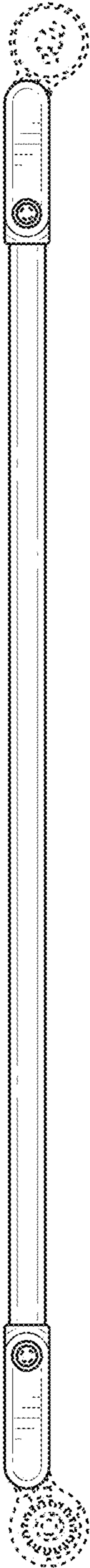


FIG. 4

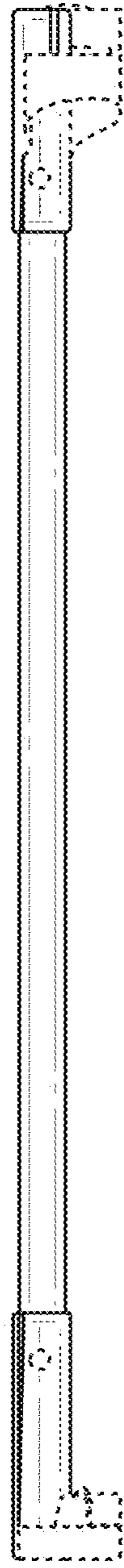


FIG. 5

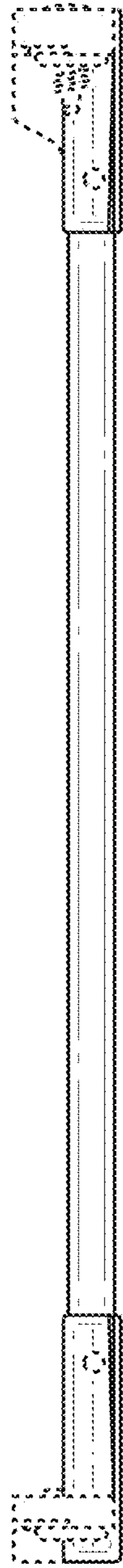


FIG. 6

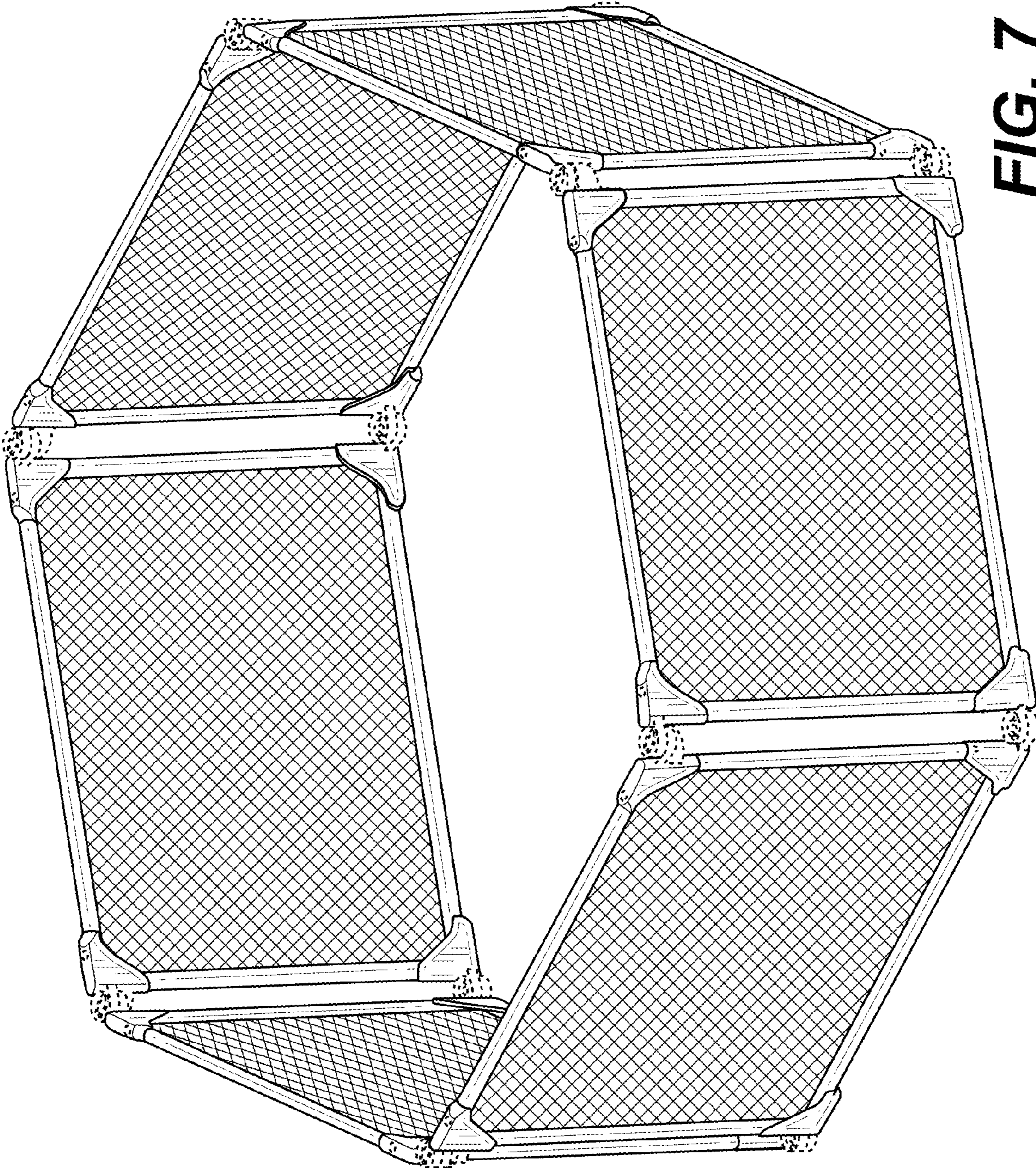


FIG. 7