



US00D906698S

(12) **United States Design Patent**
Gargan

(10) **Patent No.:** **US D906,698 S**
(45) **Date of Patent:** **** Jan. 5, 2021**

- (54) **CLOTHING HANGER**
- (71) Applicant: **John Gargan**, Bakersfield, CA (US)
- (72) Inventor: **John Gargan**, Bakersfield, CA (US)
- (**) Term: **15 Years**
- (21) Appl. No.: **29/726,232**
- (22) Filed: **Mar. 2, 2020**

- 2,812,888 A 11/1957 Henderson
- 2,813,666 A 11/1957 Gene
- 2,873,898 A 2/1959 Englund
- 2,917,212 A 12/1959 Parker
- D195,158 S 4/1963 Warmath, III
- 3,138,259 A 6/1964 Sitt
- 3,194,457 A 7/1965 Freilich
- D204,176 S 3/1966 Zuckerman
- 3,289,901 A 12/1966 Zwanzig
- 3,406,682 A 10/1968 Phillips
- 3,406,882 A 10/1968 Phillips
- D229,914 S 1/1974 Lindemann
- 3,870,206 A 3/1975 Feinberg

(Continued)

Related U.S. Application Data

- (62) Division of application No. 29/698,788, filed on Jul. 19, 2019, now Pat. No. Des. 876,845, which is a division of application No. 29/656,074, filed on Jul. 10, 2018, now Pat. No. Des. 860,658.
- (51) **LOC (13) Cl.** **06-08**
- (52) **U.S. Cl.**
USPC **D6/319**; D6/317
- (58) **Field of Classification Search**
USPC D6/315–328
CPC A47G 25/28; A47G 25/38; A47G 25/14;
A47G 25/442; A47G 25/483; A47G
25/485; A47G 25/4023; Y10S 223/04;
A47F 5/0006
See application file for complete search history.

FOREIGN PATENT DOCUMENTS

- DE 2551090 A1 5/1977
- GB 1300225 A 12/1972

OTHER PUBLICATIONS

Lee, Christine, Truss Clothing Hangers (Nov. 28, 2017).

Primary Examiner — Lauren R Calve
(74) *Attorney, Agent, or Firm* — Mark D. Miller

(57) **CLAIM**

I claim the ornamental design for a clothing hanger, as shown and described.

(56) **References Cited**

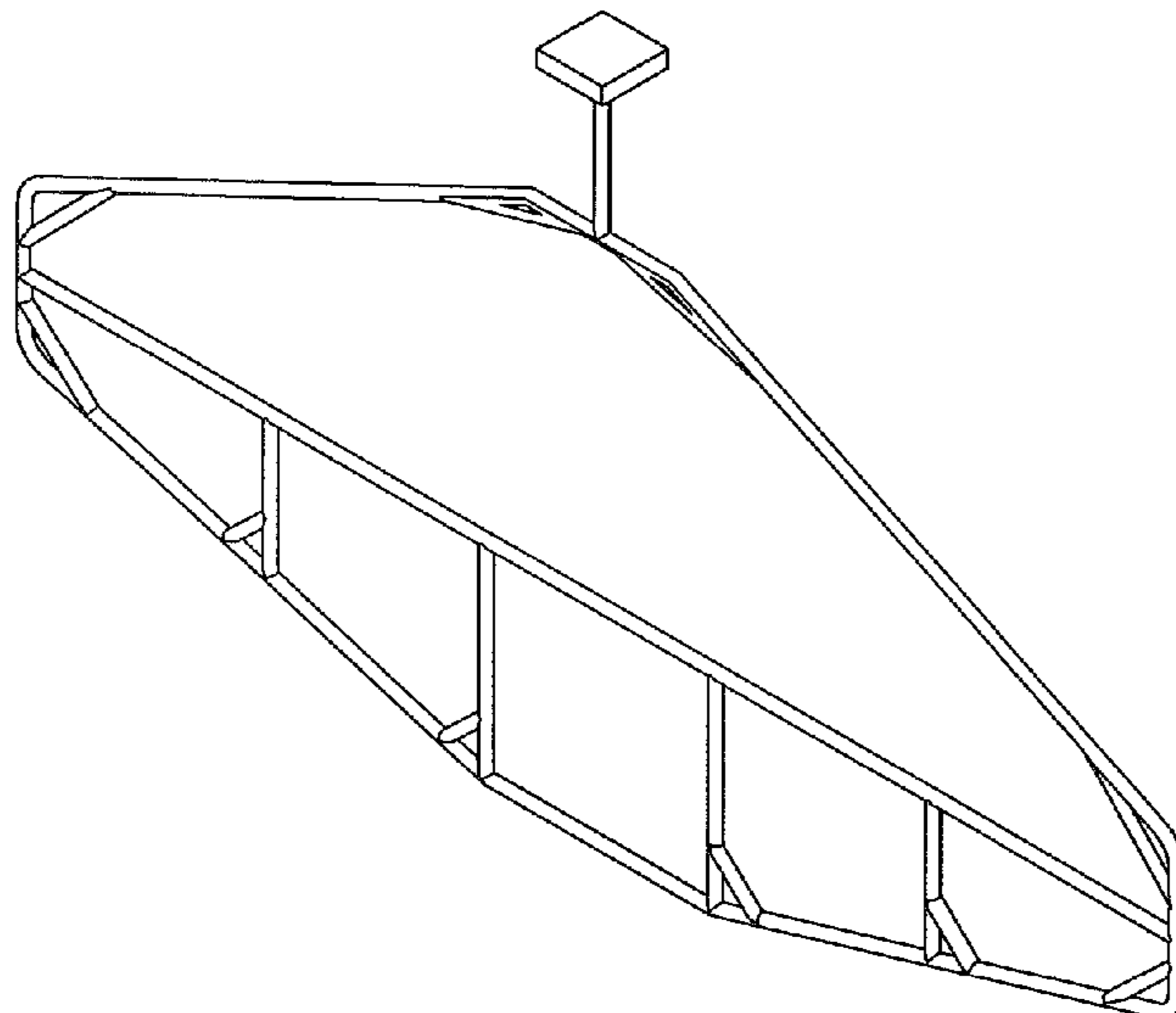
U.S. PATENT DOCUMENTS

- 1,638,844 A 8/1927 Gibson
- D87,707 S 9/1932 Bernat
- 2,123,259 A 7/1938 Rowe
- 2,205,489 A 6/1940 Nelson
- 2,475,992 A 3/1948 Schliestedt
- 2,575,979 A * 11/1951 Simon A47G 25/743
211/119
- 2,605,000 A * 7/1952 Tomarin A47G 25/743
211/113
- 2,630,950 A 3/1953 Kupchick
- 2,634,031 A 4/1953 Klein
- 2,678,149 A 5/1954 Walther

DESCRIPTION

FIG. 1 is a front perspective view of a clothing hanger showing my new design;
FIG. 2 is a rear perspective view thereof;
FIG. 3 is a left side elevational view thereof;
FIG. 4 is a front elevational view thereof;
FIG. 5 is a right side elevational view thereof;
FIG. 6 is a rear elevational view thereof;
FIG. 7 is a top plan view thereof; and,
FIG. 8 is a bottom plan view thereof.

1 Claim, 4 Drawing Sheets



(56)

References Cited

U.S. PATENT DOCUMENTS

3,897,893 A	8/1975	Lemmenes	D342,834 S	1/1994	Lorenzana	
3,926,351 A	12/1975	Baer	D409,004 S	5/1999	Bartholow	
D243,055 S	1/1977	Blumberg	6,036,063 A *	3/2000	Rhyne	A47G 25/32 223/85
D267,919 S	2/1983	Owens	6,230,945 B1	5/2001	Licari et al.	
D279,627 S	7/1985	Morin	D504,577 S	5/2005	Mann	
4,607,771 A	8/1986	Massion	7,118,014 B2 *	10/2006	Ali	A47G 25/28 223/85
4,632,286 A	12/1986	Koyama	7,290,686 B2	11/2007	Von Detten	
4,714,183 A	12/1987	Tontarelli	7,377,409 B1	5/2008	Brown	
D295,579 S	5/1988	Arnold	D644,845 S	9/2011	Brady	
D298,185 S	10/1988	Mackie et al.	D653,460 S	2/2012	Davis	
D301,187 S	5/1989	Lohnis	D662,717 S	7/2012	Brady	
4,951,855 A	8/1990	Jacobson et al.	D709,292 S	7/2014	Zeldin	
4,964,550 A	10/1990	Balkin	D806,404 S	1/2018	Klar	
4,966,287 A	10/1990	Snyder	D860,658 S	9/2019	Gargan	
5,056,693 A	10/1991	DeBoe	D876,845 S *	3/2020	Gargan	D6/319
D322,721 S	12/1991	Curry	2002/0033403 A1	6/2002	Bennett	
5,082,152 A	1/1992	Chen	2008/0000936 A1	1/2008	LaBella	
D323,941 S	2/1992	Schwartz	2010/0213222 A1	8/2010	Boyko	
5,085,358 A	2/1992	Lam	2015/0245724 A1	9/2015	Sut	

* cited by examiner

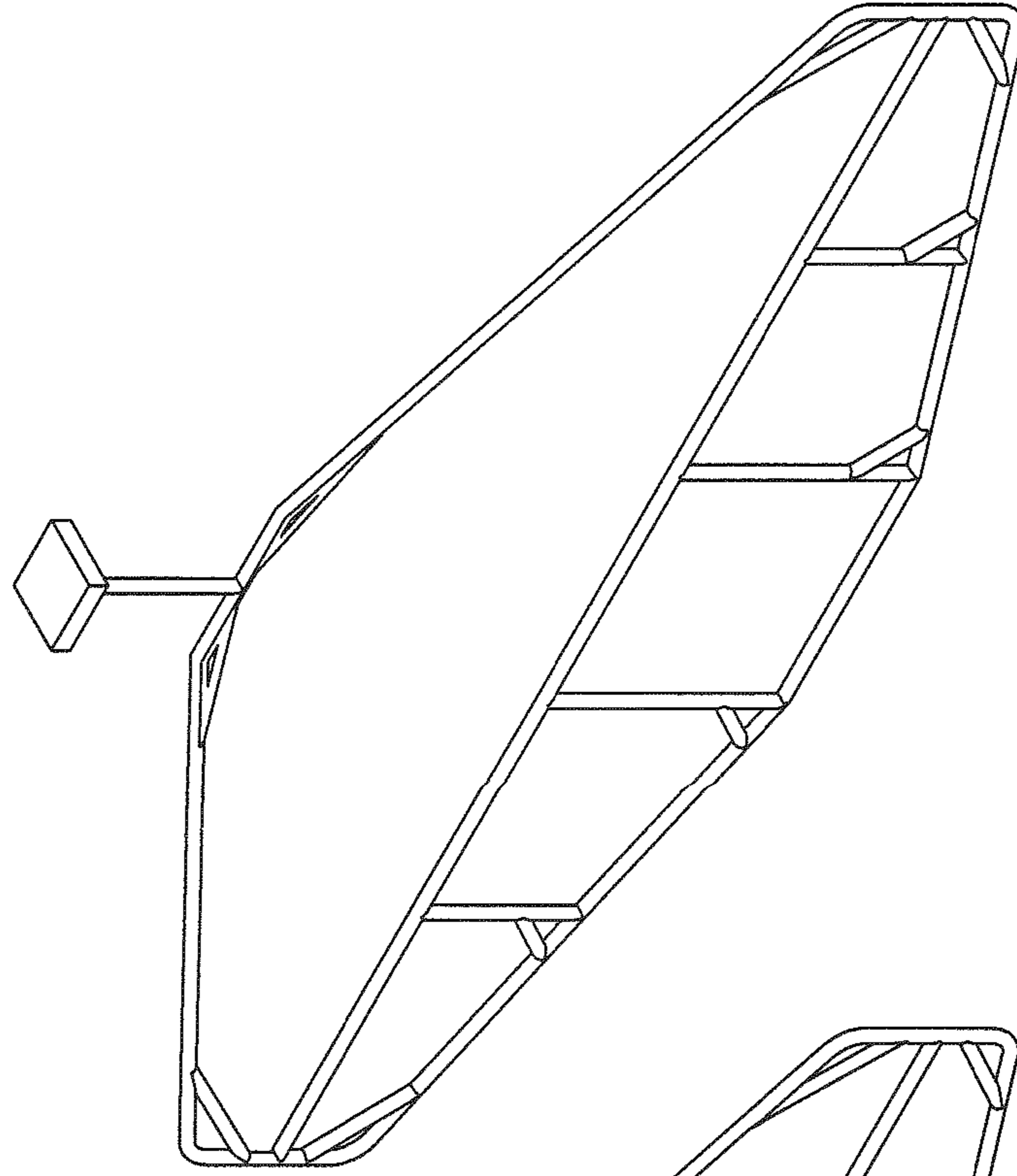


Fig. 1

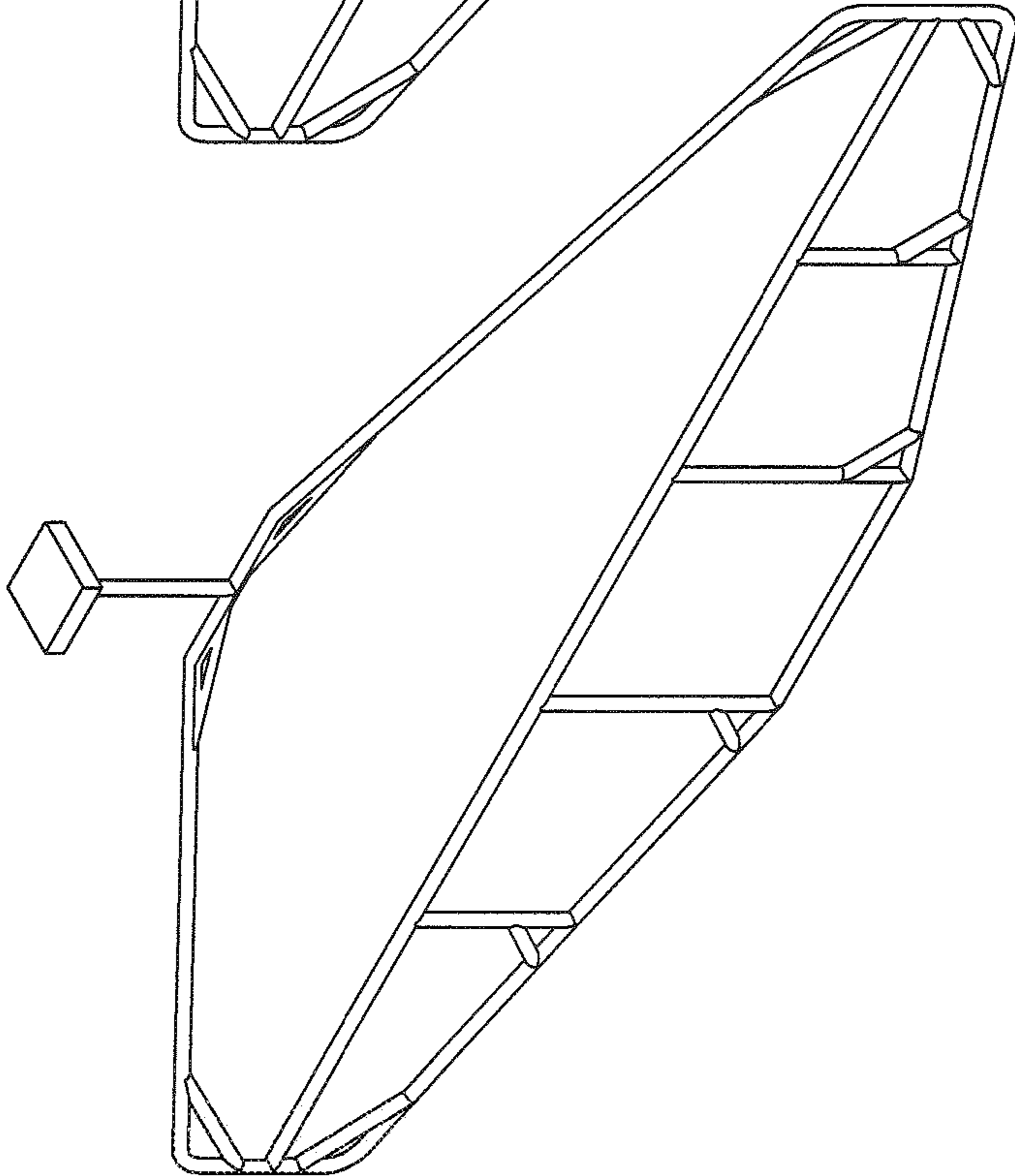


Fig. 2

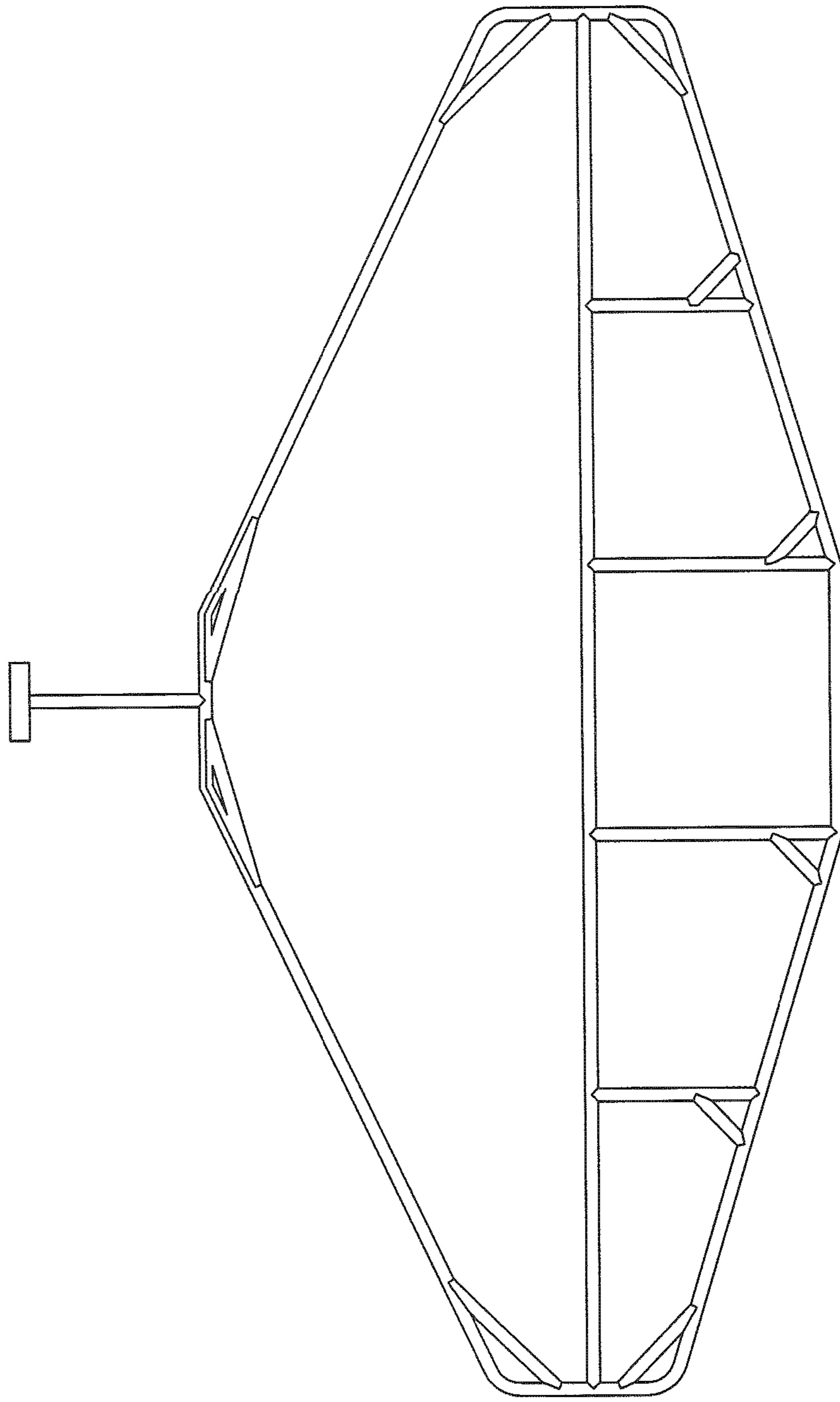


Fig. 3

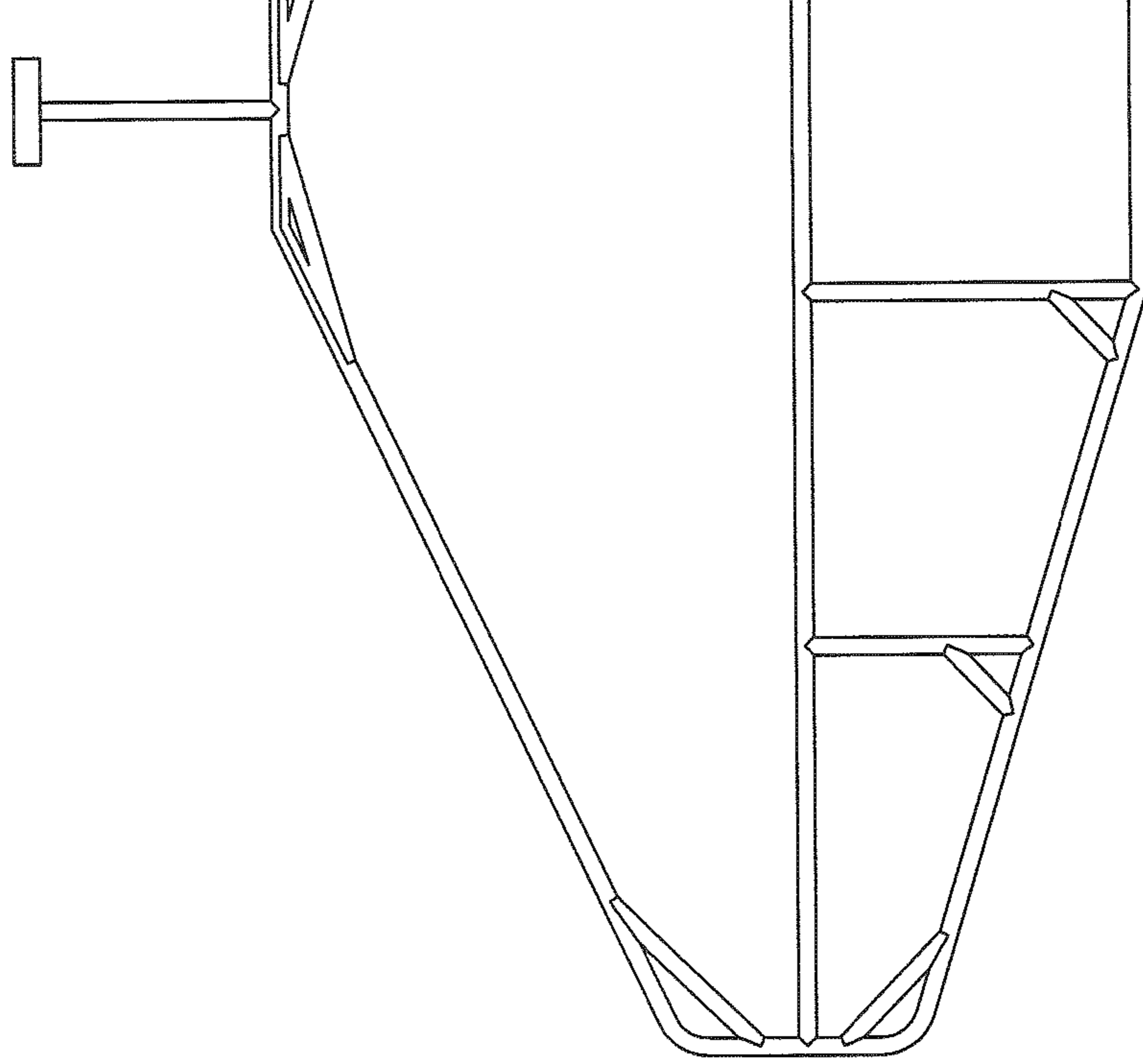


Fig. 4

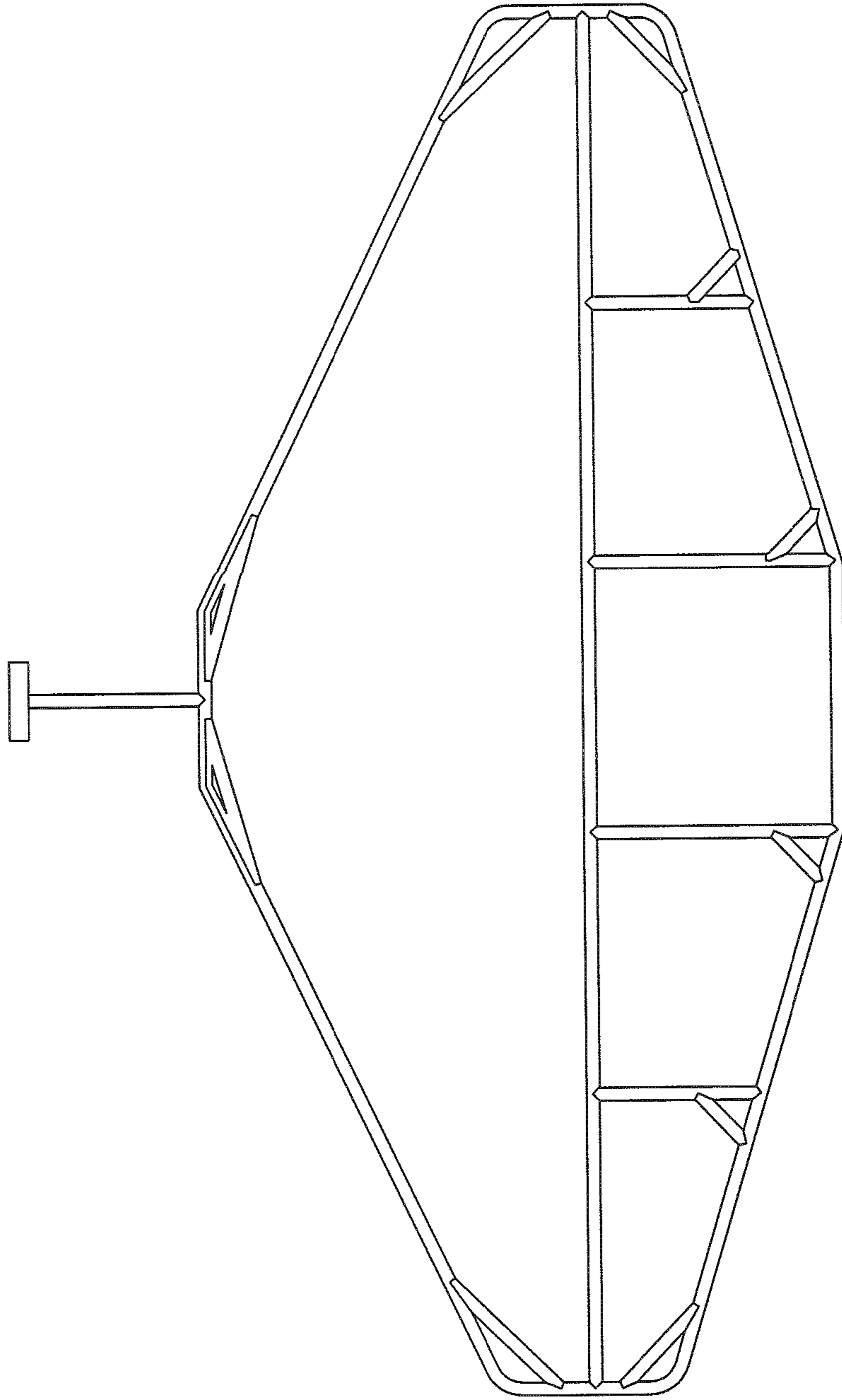


Fig. 5



Fig. 6

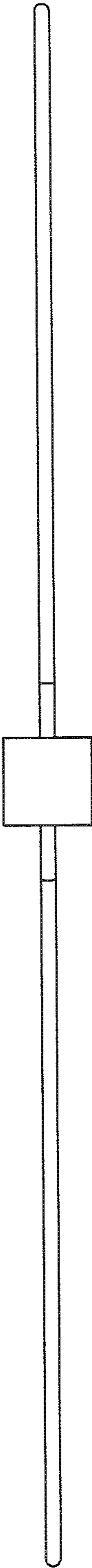


Fig. 7

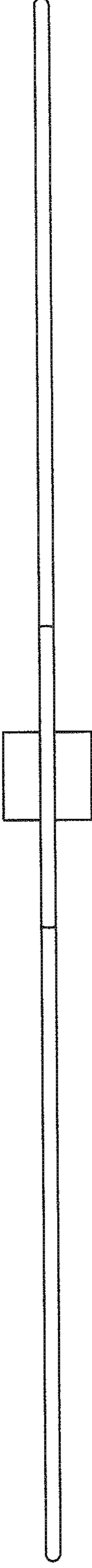


Fig. 8