



US00D906691S

(12) **United States Design Patent** (10) **Patent No.:** **US D906,691 S**  
**Shi** (45) **Date of Patent:** **\*\* Jan. 5, 2021**

(54) **HAIR BRUSH**

(71) Applicant: **Jiehua Shi**, Guangdong (CN)

(72) Inventor: **Jiehua Shi**, Guangdong (CN)

(\*\*) Term: **15 Years**

(21) Appl. No.: **29/678,556**

(22) Filed: **Jan. 29, 2019**

(51) **LOC (13) Cl.** ..... **04-99**

(52) **U.S. Cl.**  
USPC ..... **D4/130**

(58) **Field of Classification Search**

USPC ..... D4/100, 102, 106, 107, 109, 110, 111,  
D4/112, 117, 120, 126, 127, 128, 129,  
D4/130, 131, 132, 133, 134, 135, 136,  
D4/137, 138; D28/7, 13, 19, 21, 22, 23,  
D28/24, 28, 29, 30, 31, 32, 33, 45, 63,  
D28/74; D30/158, 159; D7/682;  
D8/107, 303  
CPC ..... A46B 2200/104; A46B 1/00; A46B  
2200/1006; A46B 2200/102; A46D  
1/0276

See application file for complete search history.

(56) **References Cited**

**U.S. PATENT DOCUMENTS**

D437,095 S \* 1/2001 Osiecki ..... D32/40  
D522,202 S \* 5/2006 Huang ..... D32/52  
D632,087 S \* 2/2011 Wang ..... D30/158  
D638,992 S \* 5/2011 Moyer ..... D28/7  
8,533,894 B2 \* 9/2013 Watanabe ..... A46D 1/0292  
15/207.2  
D724,752 S \* 3/2015 Huang ..... D24/215  
D746,062 S \* 12/2015 Pan ..... D4/127  
D801,598 S \* 10/2017 Urso ..... D30/158  
D866,092 S \* 11/2019 Liang ..... D30/158  
D897,688 S \* 10/2020 Li ..... D4/128

**FOREIGN PATENT DOCUMENTS**

CN 305410753 \* 6/2019

**OTHER PUBLICATIONS**

Hair Massager, announced Mar. 4, 2018 [online], [site visited Jun. 2, 2020]. Available from internet, URL: [https://www.amazon.com/Scalp-Massager-Shampoo-Brush-MAXSOFT/dp/B074ZDXFL6/ref=sr\\_1\\_1?crid=Y75AYFJO8NS3&dchild=1&keywords=hair+massager+brush&qid=1590515956&sprefix=Hair+massager%2Cbeauty%2C170&sr=8-1](https://www.amazon.com/Scalp-Massager-Shampoo-Brush-MAXSOFT/dp/B074ZDXFL6/ref=sr_1_1?crid=Y75AYFJO8NS3&dchild=1&keywords=hair+massager+brush&qid=1590515956&sprefix=Hair+massager%2Cbeauty%2C170&sr=8-1) (Year: 2018).\*

Sumi Eco Massager, announced Aug. 18, 2018 [online], [site visited Jun. 2, 2020]. Available from internet, URL: [https://www.amazon.com/Sumi-Eco-Massager-Tourmaline-contained/dp/B07DZHLM9L/ref=cm\\_cr\\_arp\\_d\\_product\\_top?ie=UTF8](https://www.amazon.com/Sumi-Eco-Massager-Tourmaline-contained/dp/B07DZHLM9L/ref=cm_cr_arp_d_product_top?ie=UTF8) (Year: 2018).\*

Coarse Brush, announced 2020 [online], [site visited Jun. 2, 2020]. Available from internet, URL: <https://www.horseloverz.com/horse-health-care/horse-grooming-supplies/curry-combs-brushes> (Year: 2020).\*

Coarse Brush, announced Jul. 2015 [online], [site visited Jun. 2, 2020]. Available from internet, URL [https://www.amazon.com/Tough-Great-Curry-Handle-Green/dp/B002HVCCYC/ref=sr\\_1\\_4?crid=1JI9CQN9N76CW&dchild=1&keywords=curry+brush+with+handle&qid=1590515682&sprefix=curry+brush%2Caps%2C376&sr=8-4](https://www.amazon.com/Tough-Great-Curry-Handle-Green/dp/B002HVCCYC/ref=sr_1_4?crid=1JI9CQN9N76CW&dchild=1&keywords=curry+brush+with+handle&qid=1590515682&sprefix=curry+brush%2Caps%2C376&sr=8-4) (Year: 2015).\*

\* cited by examiner

*Primary Examiner* — George A Bugg  
*Assistant Examiner* — Tamara L Hahn

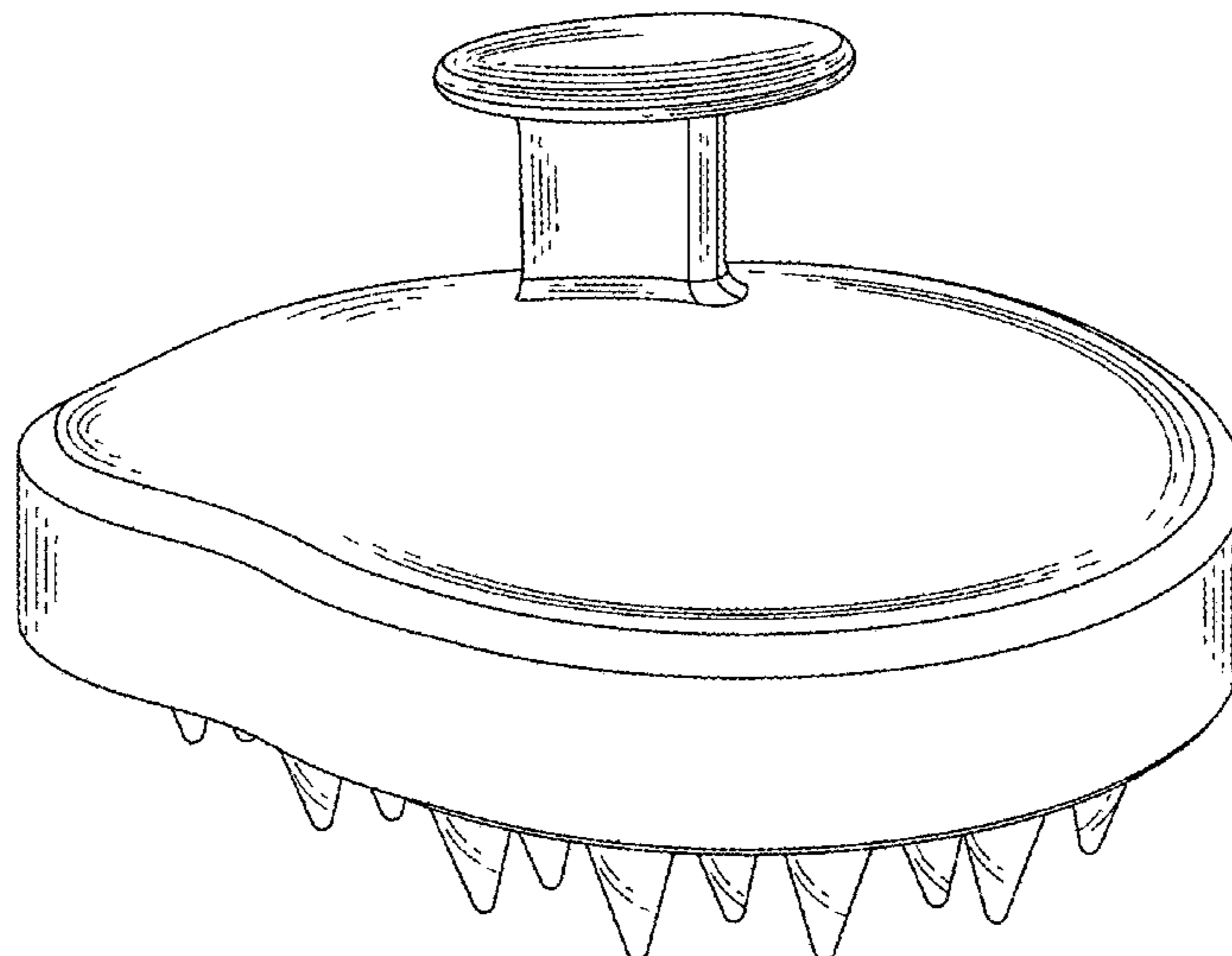
(57) **CLAIM**

I claim the ornamental design for the hair brush, as shown and described.

**DESCRIPTION**

FIG. 1 is a perspective view of a Hair brush showing my new design;  
FIG. 2 is a front elevational view thereof;  
FIG. 3 is a rear elevational view thereof;  
FIG. 4 is a left side elevational view thereof;  
FIG. 5 is a right side elevational view thereof;  
FIG. 6 is a top plan view thereof; and,  
FIG. 7 is a bottom plan view thereof.

**1 Claim, 7 Drawing Sheets**



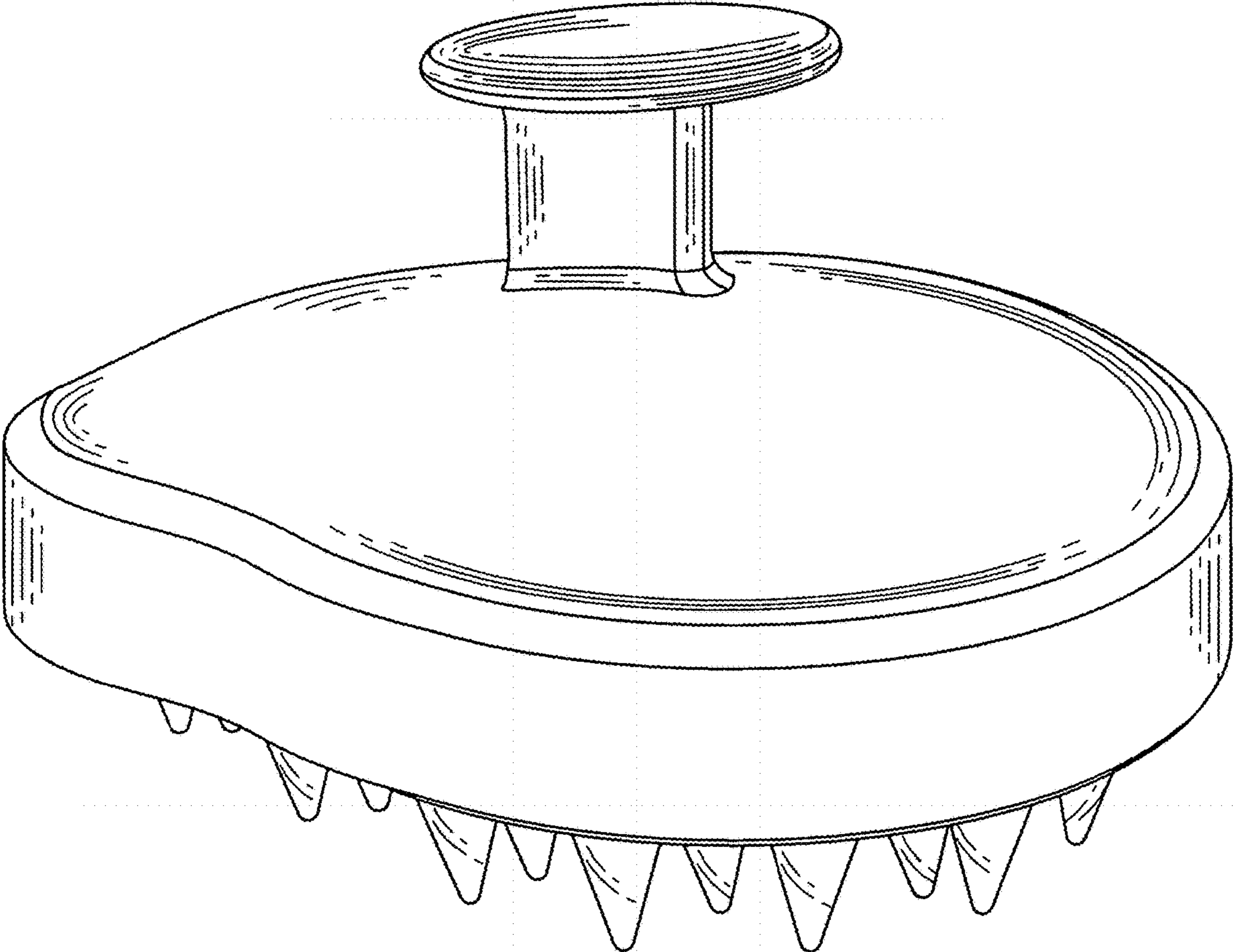


FIG. 1

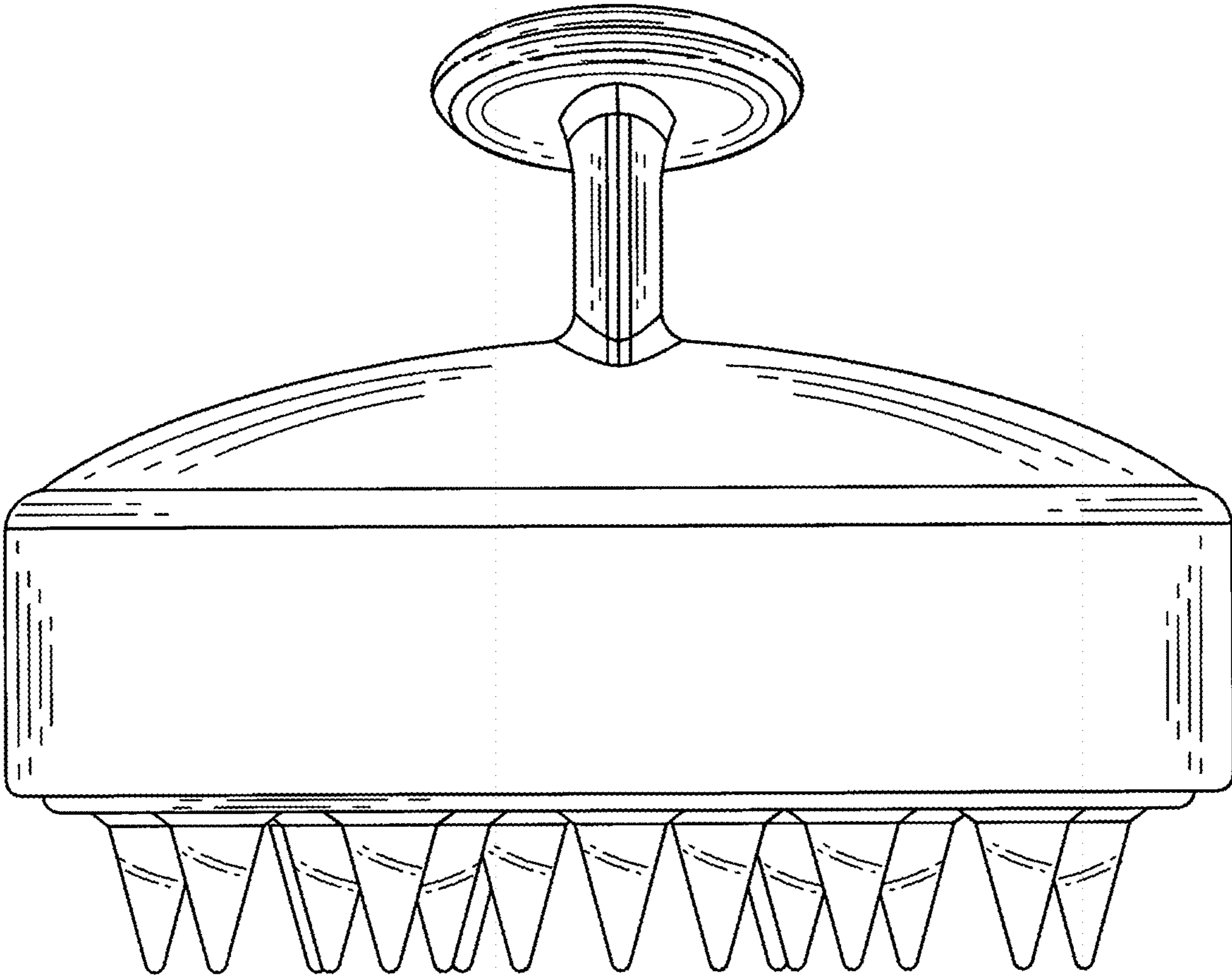


FIG. 2

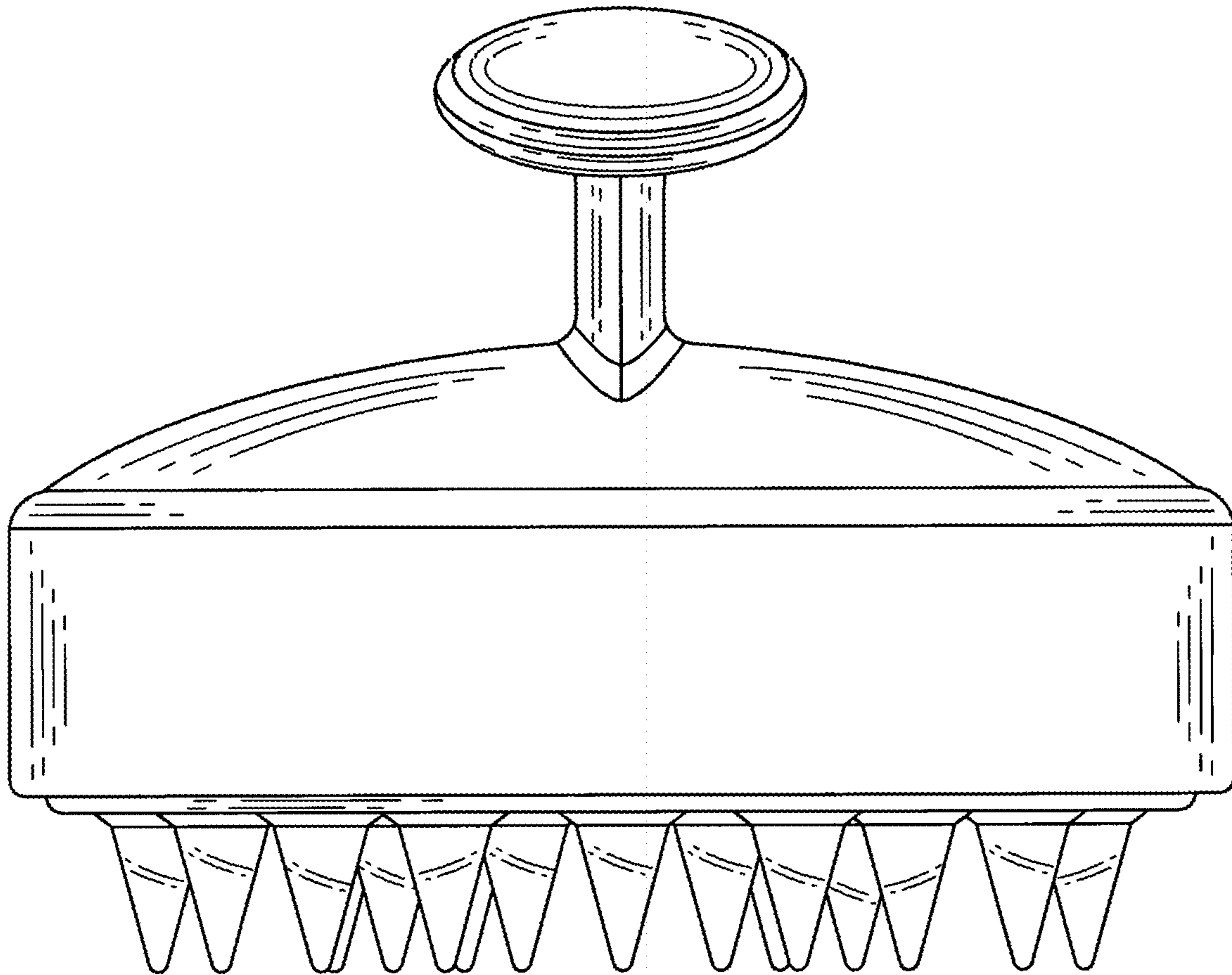


FIG. 3

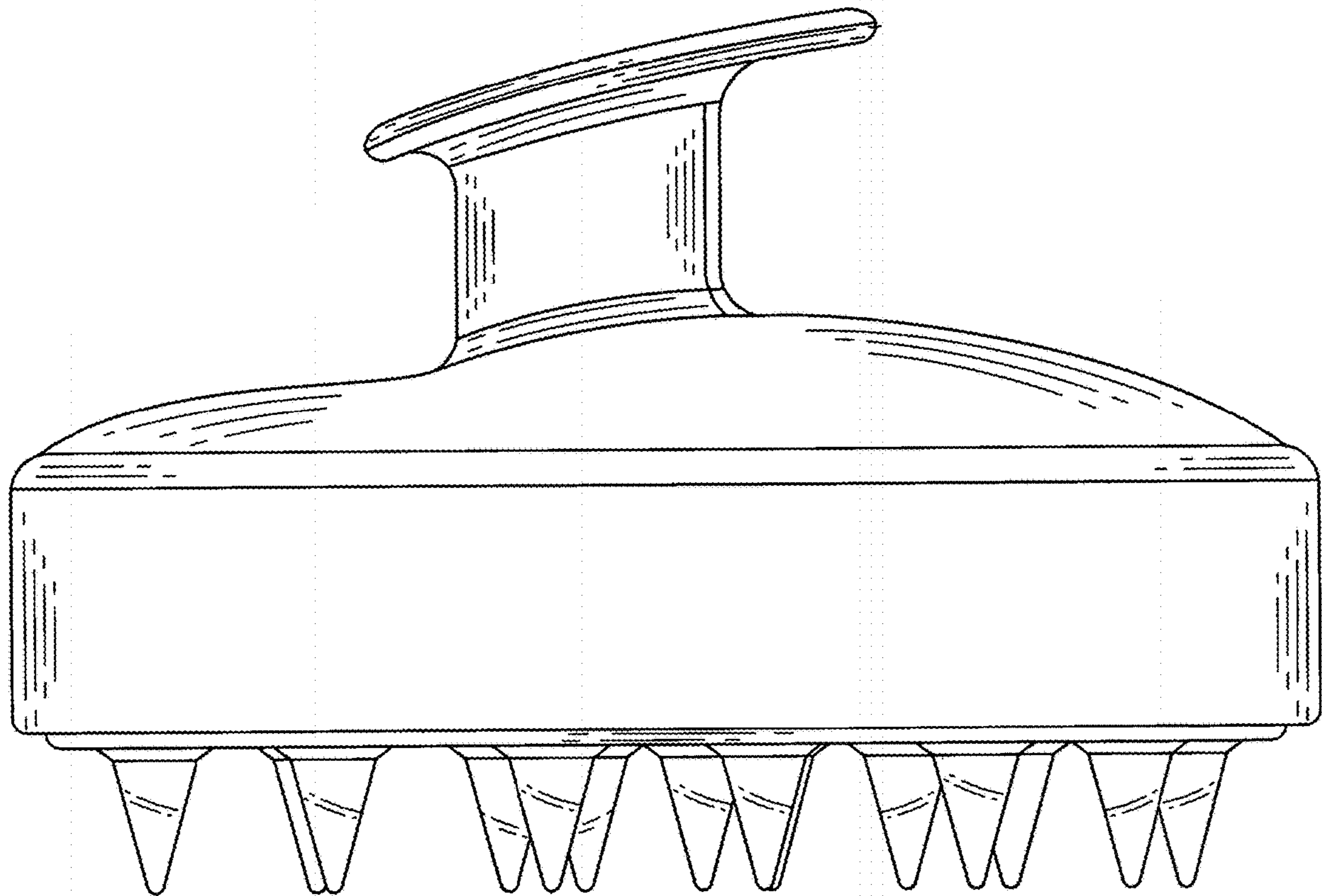


FIG. 4

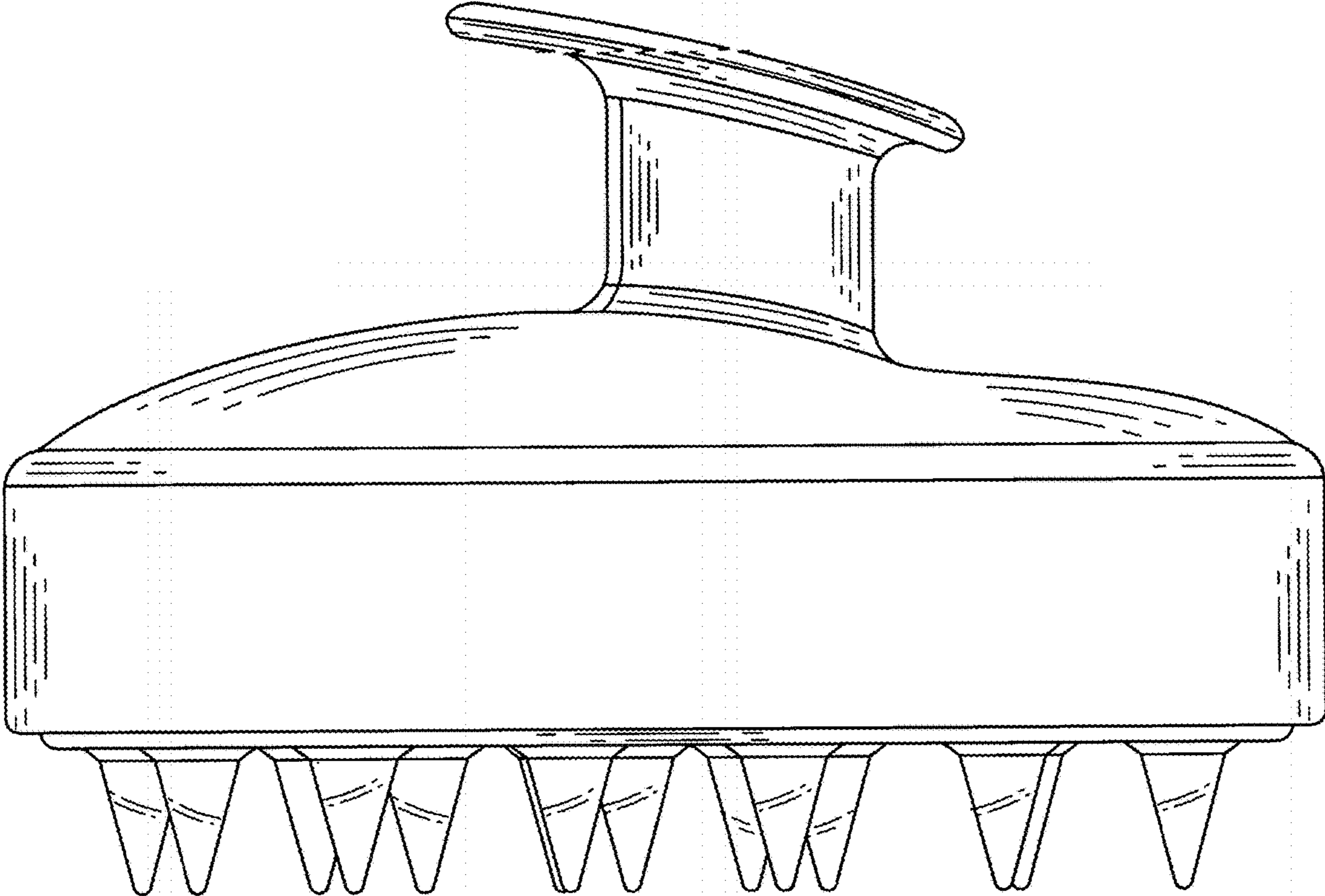


FIG. 5

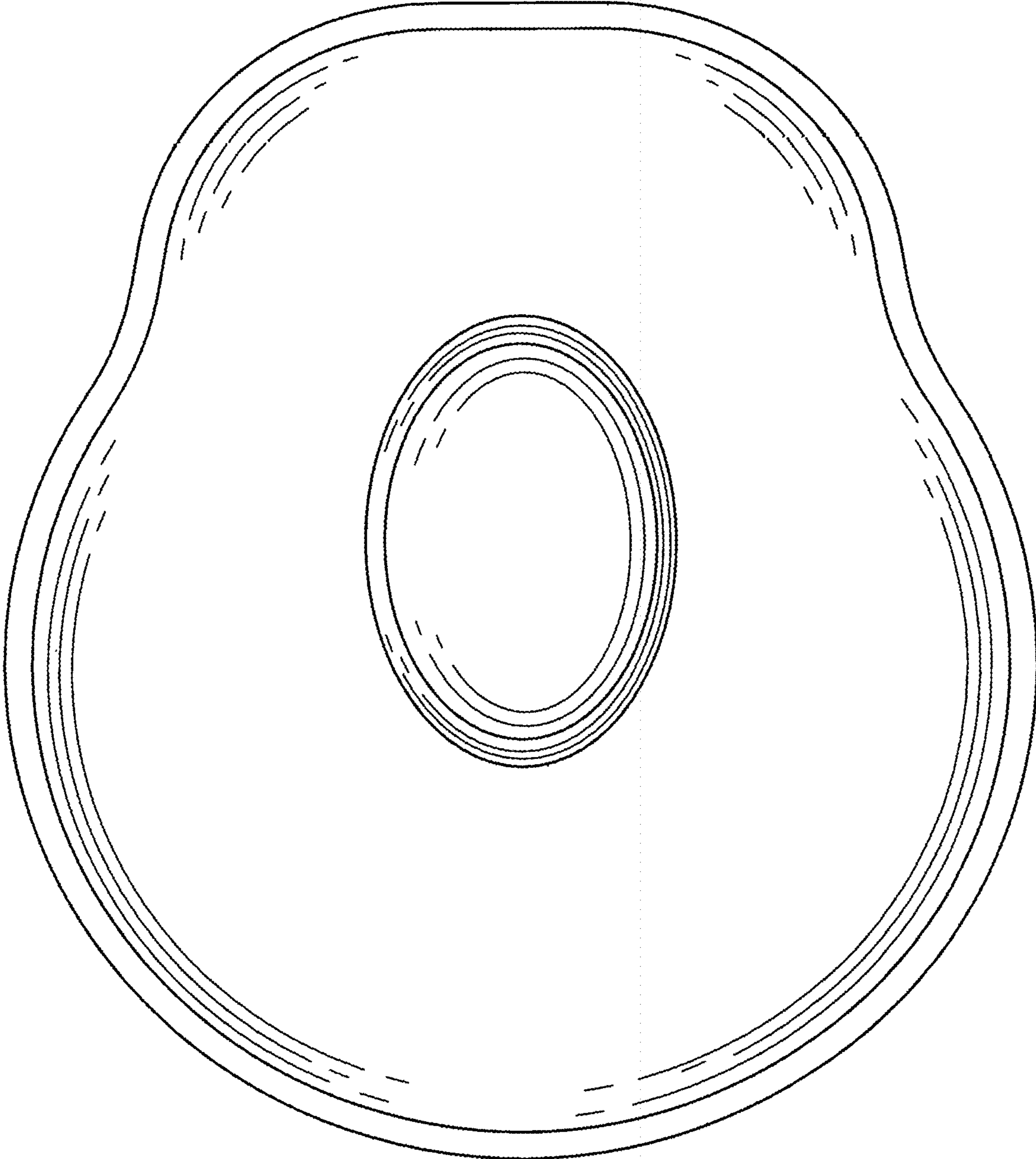


FIG. 6

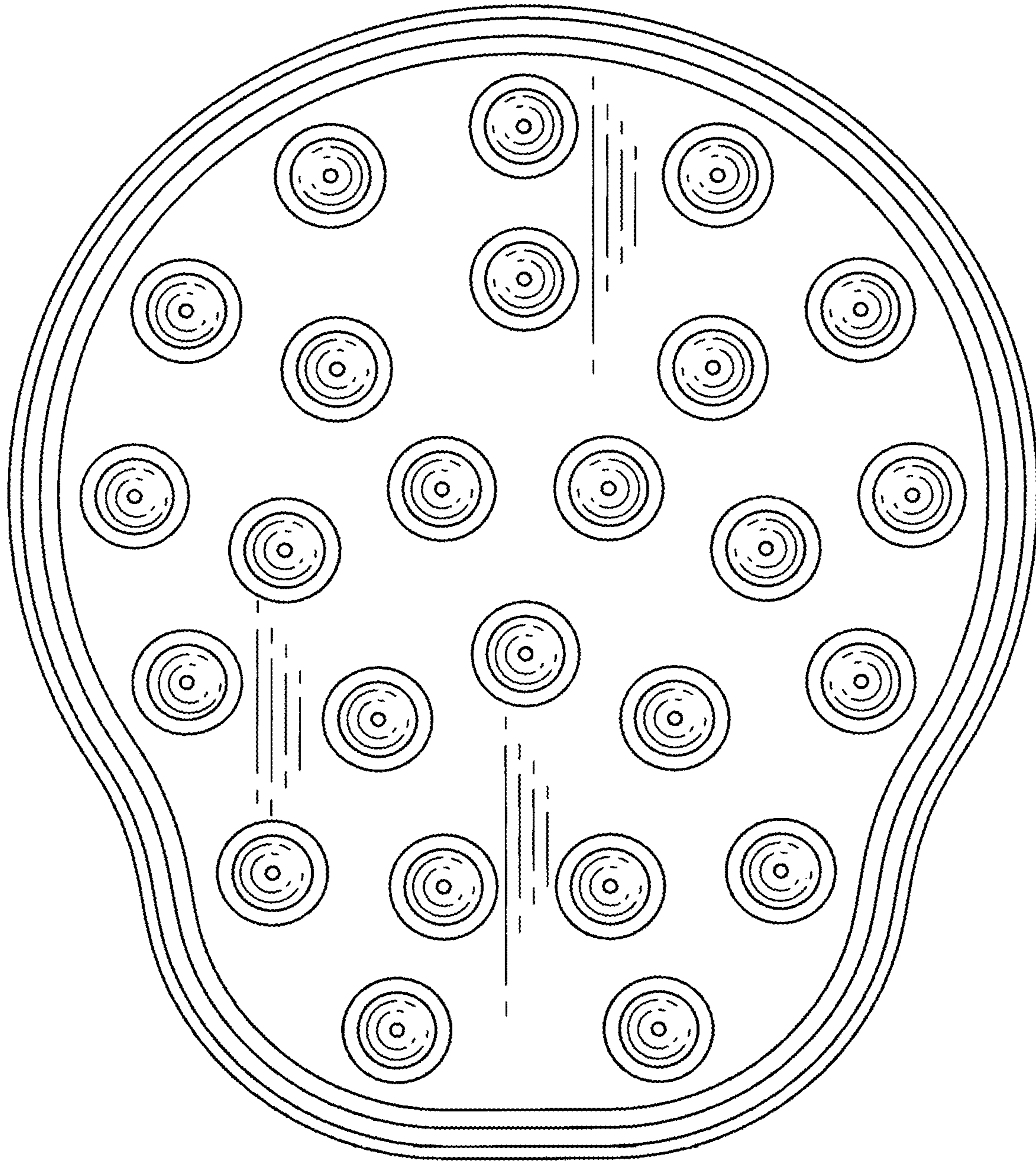


FIG. 7