



US00D906689S

(12) **United States Design Patent**
Higgins

(10) **Patent No.:** **US D906,689 S**
(45) **Date of Patent:** **** Jan. 5, 2021**

(54) **GOLF BRUSH**

(71) Applicant: **JEH Innovations Inc.**, Kincardine (CA)

(72) Inventor: **Jared Higgins**, Kincardine (CA)

(**) Term: **15 Years**

(21) Appl. No.: **29/691,436**

(22) Filed: **May 16, 2019**

(51) **LOC (13) Cl.** **04-01**

(52) **U.S. Cl.**
USPC **D4/118**

(58) **Field of Classification Search**
USPC D4/116-118, 130, 134; D21/789;
D32/40-42, 46
CPC .. A46B 3/18; A46B 5/00; A46B 9/021; A46B
11/00; A46B 11/0003; A46B 2200/1053;
A45D 40/26; A45D 40/265

See application file for complete search history.

(56) **References Cited**

U.S. PATENT DOCUMENTS

D226,143 S *	1/1973	Brainerd et al.	D4/130
D226,144 S *	1/1973	Brainerd et al. ...	A46B 15/0055 D4/130
4,285,087 A *	8/1981	Sapronetti	A45D 2/00 132/313
D260,822 S *	9/1981	Sapronetti	D28/18
4,464,072 A	8/1984	Norwell	
4,831,678 A *	5/1989	Dietsche	B25G 3/08 15/176.4
4,940,349 A	7/1990	van Rensburg	
D324,777 S *	3/1992	Vangen	401/184
5,560,066 A	10/1996	McDivitt	
5,787,539 A	8/1998	Nussbaum	
8,708,591 B2	4/2014	Shepard, Jr.	
9,004,283 B1	4/2015	Lozano	
2018/0021644 A1*	1/2018	White	A46B 15/0055 15/106

OTHER PUBLICATIONS

PacificGolfClubs.com; 'Spray Brush'; [online] 'https://www.pacificgolfclubs.com/golf-supplies/spray-brush'; accessed Sep. 14, 2020; 2p. (Year: 2020).*

Pro Active, Proactive Sports Groove Tube Squeeze Bottle Groove Cleaner, online: <https://www.amazon.ca/ProActive-Sports-Groove-Squeeze-Cleaner/dp/B002IJ5VSW> (accessed on Jul. 22, 2019), 2019, 5 pages.

Caddy-Clean, Caddy-Clean The All-In-One Golf Club Cleaner, online: <https://www.amazon.ca/Caddy-Clean-All-One-Golf-Cleaner/dp/B01MRV6JH4> (accessed on Jul. 22, 2019), 2019, 4 pages.

(Continued)

Primary Examiner — Keli L Hill

(74) Attorney, Agent, or Firm — Heer Law; Christopher D. Heer

(57) **CLAIM**

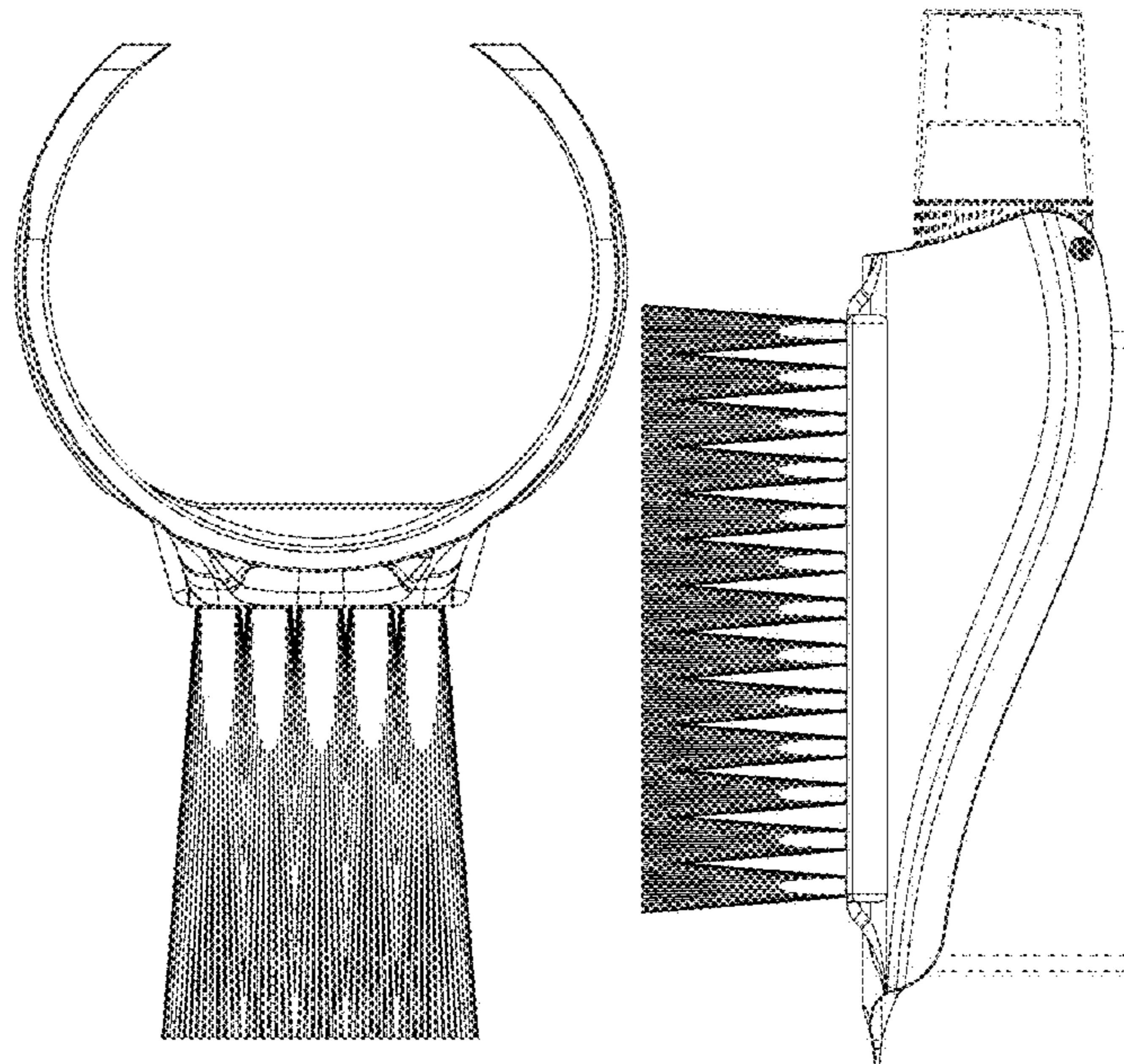
An ornamental design for a golf brush, as shown and described.

DESCRIPTION

FIG. 1 is a right side view of a golf brush according to the present design;
FIG. 2 is a left side view thereof;
FIG. 3 is a front view thereof;
FIG. 4 is a back view thereof;
FIG. 5 is a top plan view thereof;
FIG. 6 is a bottom plan view thereof; and,
FIG. 7 is another right side view thereof shown in an alternate state of use.

The broken line showing of a bottle in the FIG. 7 drawing view is included for the purpose of illustrating environment of the article and forms no part of the claimed design.

1 Claim, 7 Drawing Sheets



(56)

References Cited

OTHER PUBLICATIONS

Golf Club Cleaning Brush w/ Water Bottle Compartment, online: <<https://www.vicogolf.com.au/collections/staff-picks/products/golf-club-cleaning-brush-w-water-bottle-compartment>> (accessed on Jul. 22, 2019), 2019, 5 pages.

Denali Club Buddy Cleans Grips Better, online: <<https://picclick.com/Denali-Club-Buddy-Cleans-Grips-Better-264122225179.html>> (accessed on Jul. 22, 2019), 2019, 6 pages.

* cited by examiner

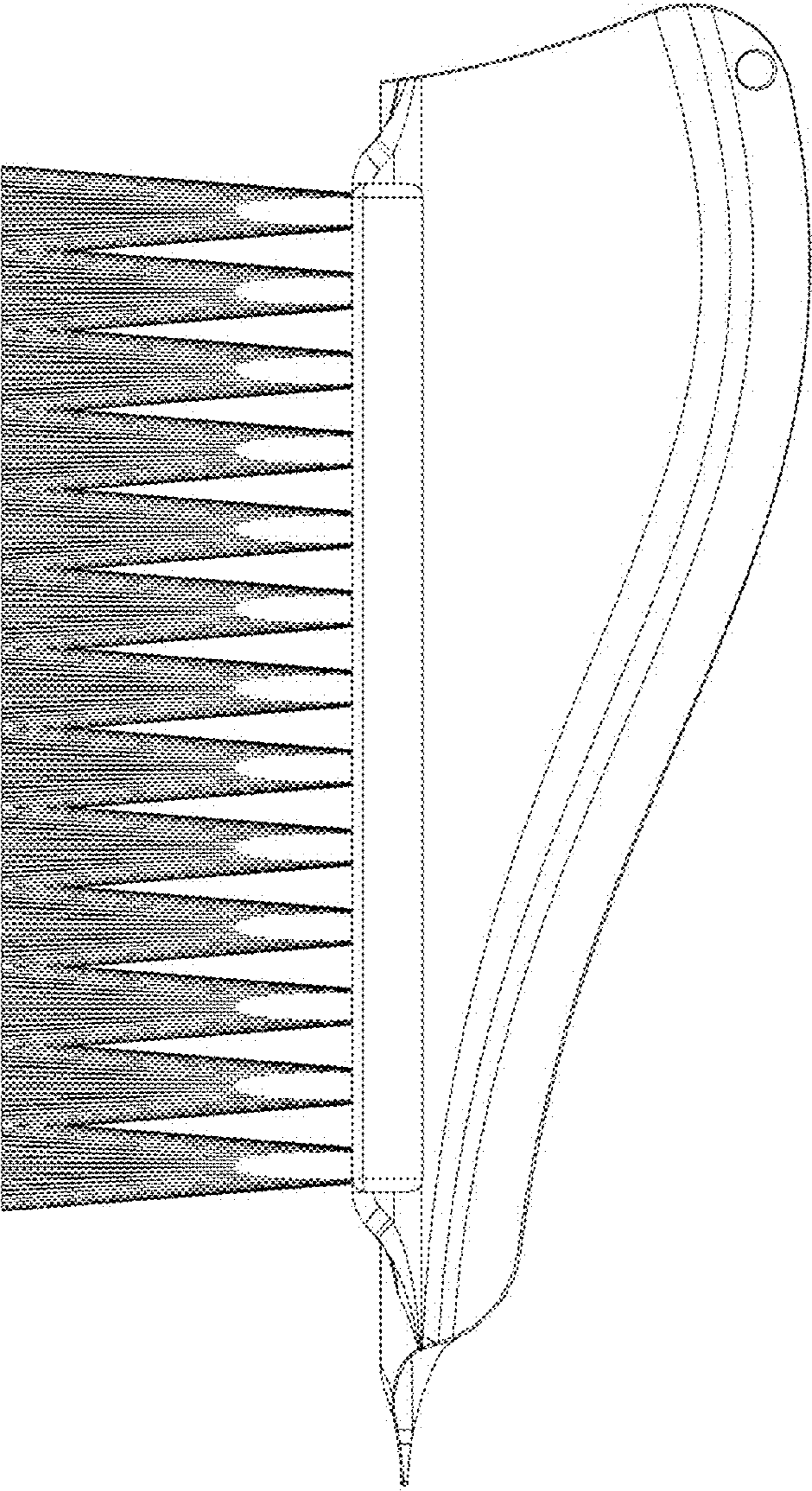


FIG. 1

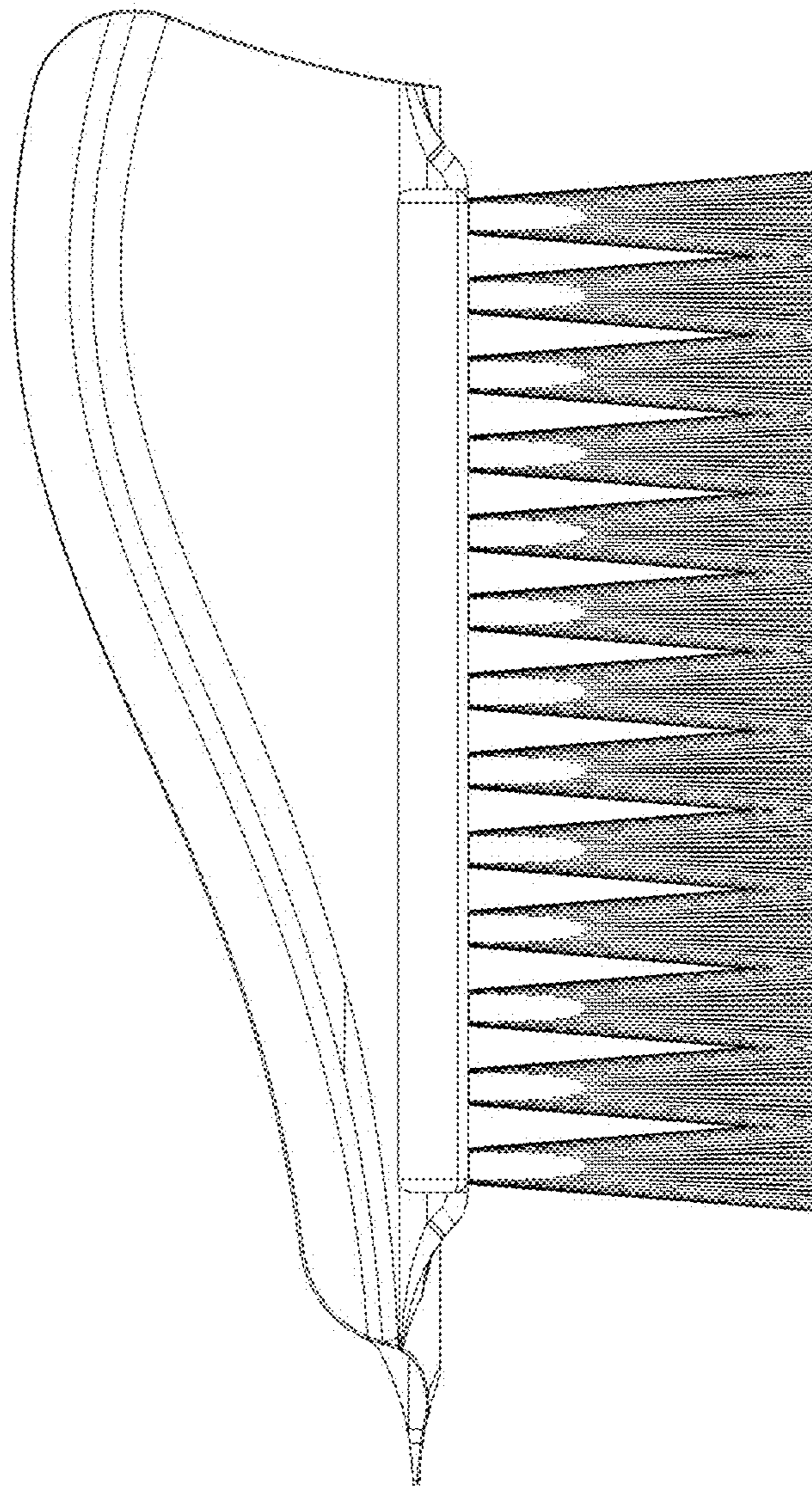


FIG. 2

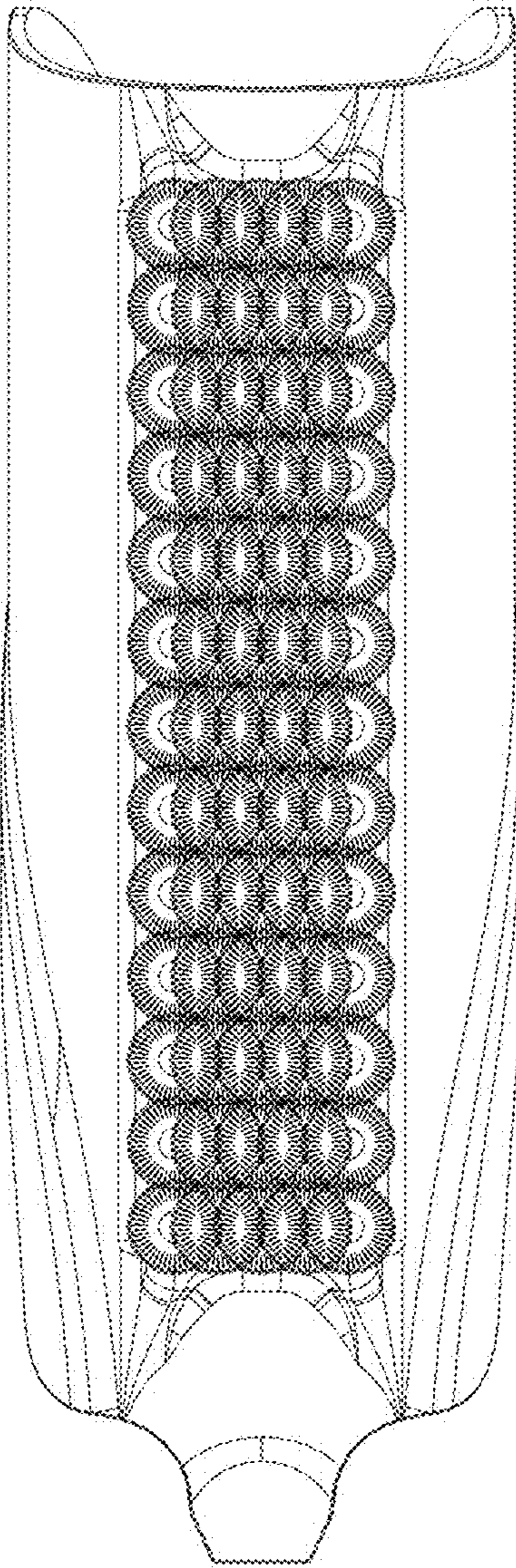


FIG. 3

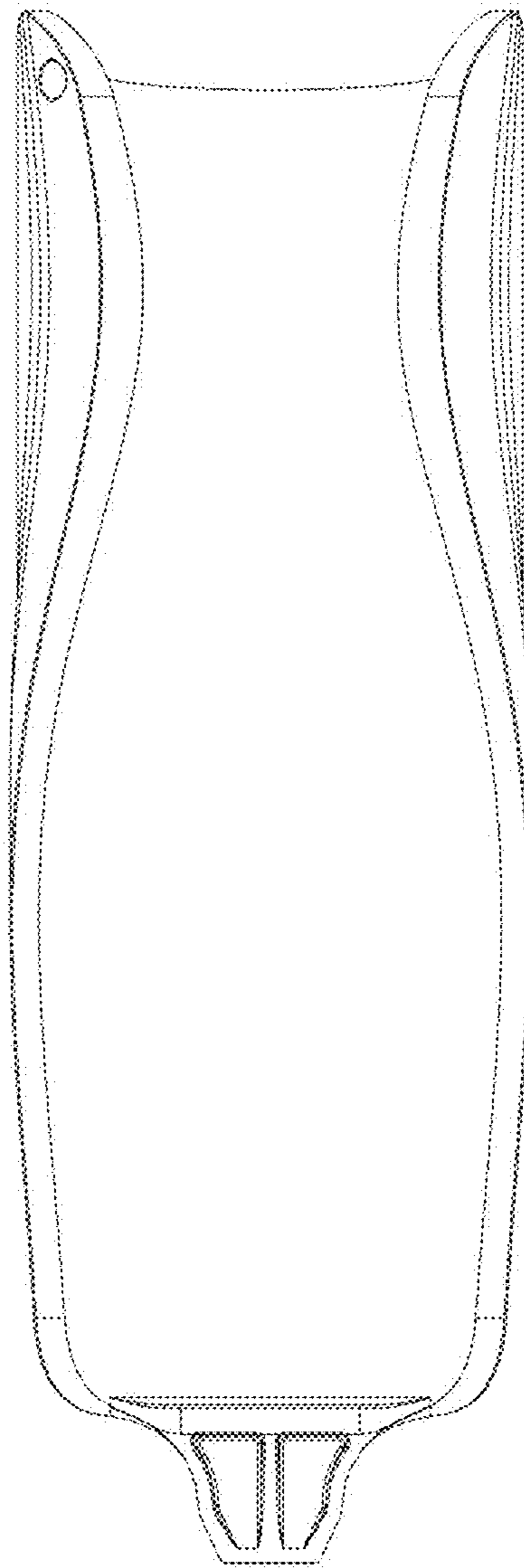


FIG. 4

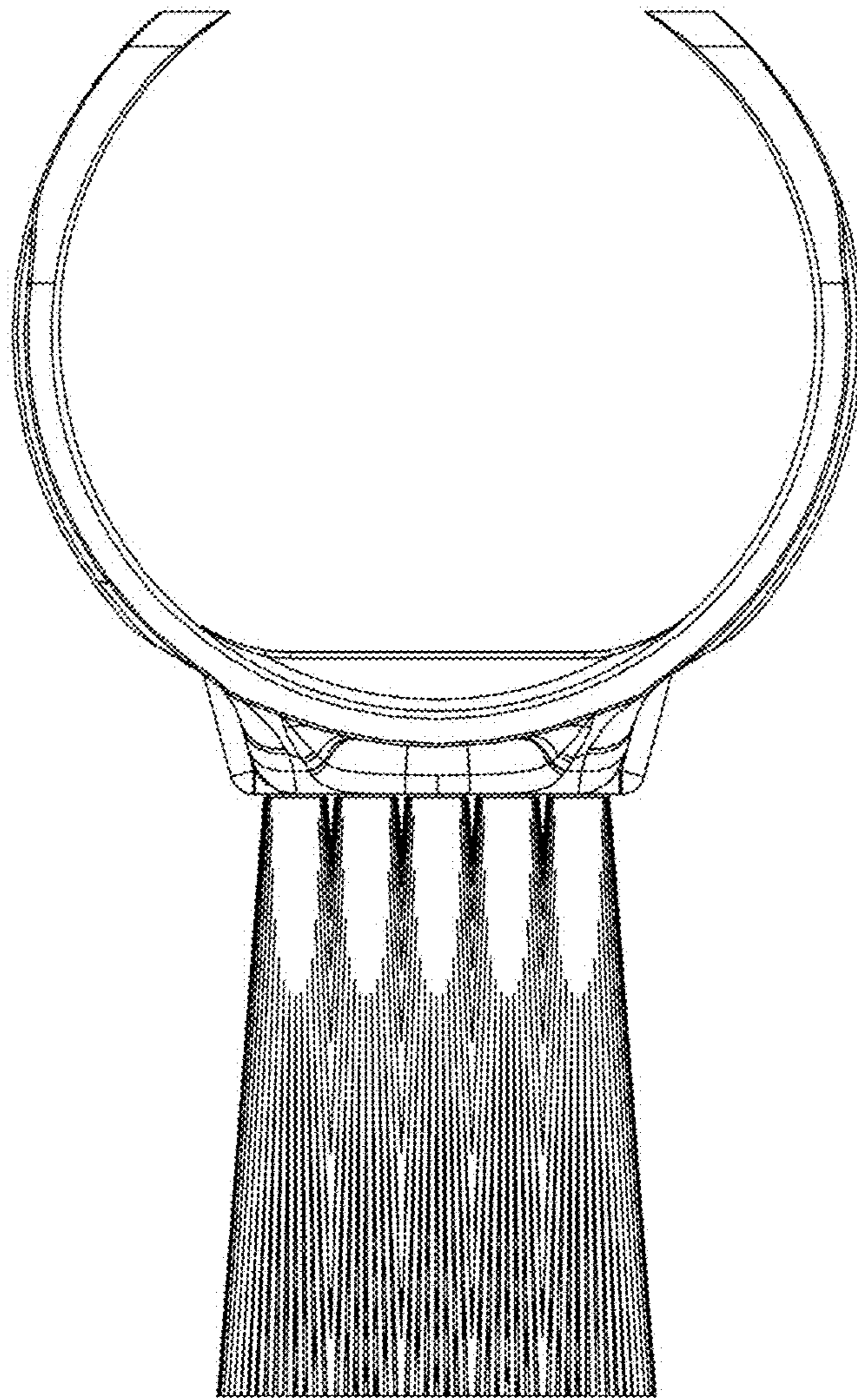


FIG. 5

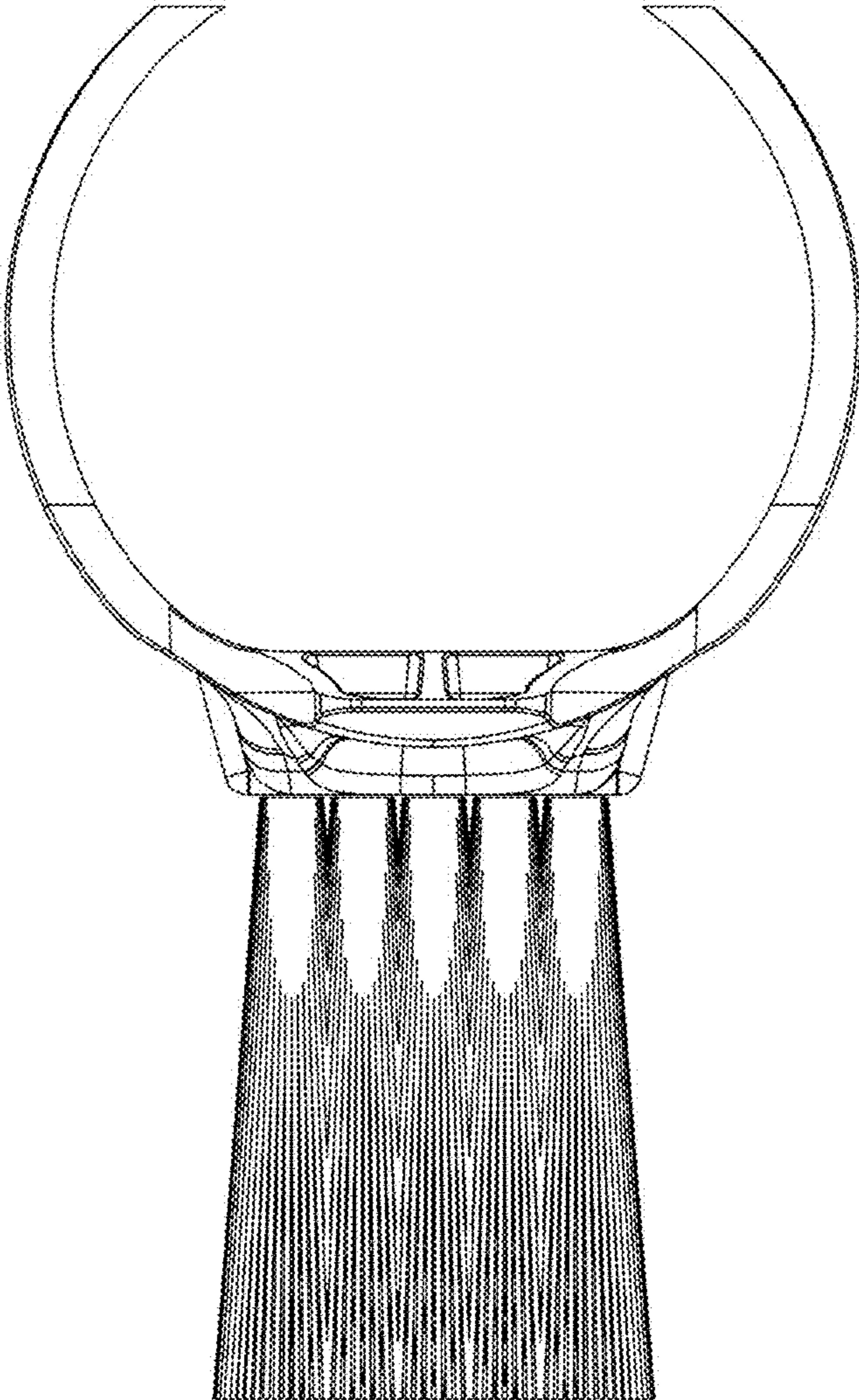


FIG. 6

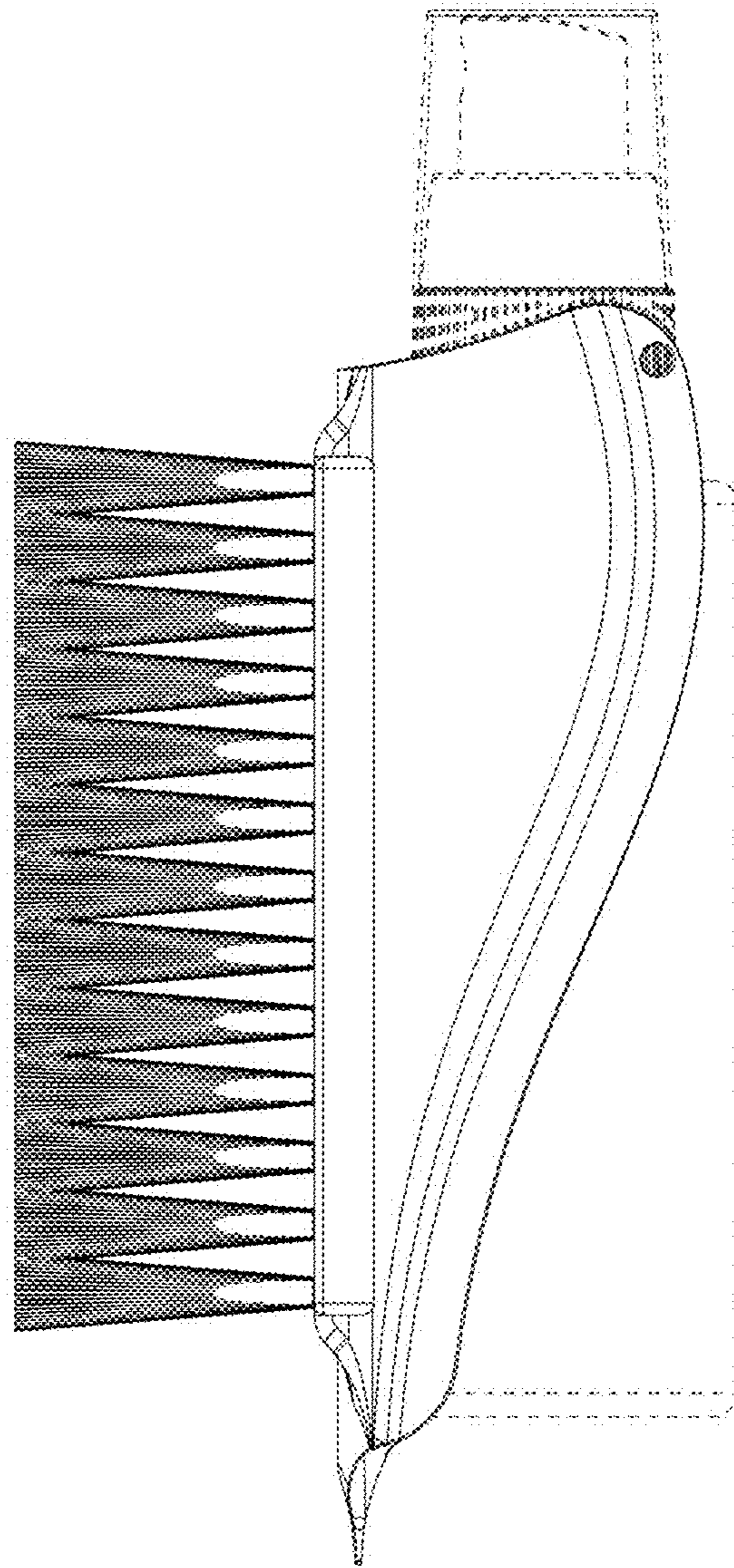


FIG. 7