



US00D906678S

(12) **United States Design Patent** (10) **Patent No.:** **US D906,678 S**
Ge (45) **Date of Patent:** **** Jan. 5, 2021**

(54) **BEARD STRAIGHTENER**
(71) Applicant: **Zhong Cheng Ge**, Daqing (CN)
(72) Inventor: **Zhong Cheng Ge**, Daqing (CN)

(**) Term: **15 Years**

(21) Appl. No.: **29/720,626**

(22) Filed: **Jan. 14, 2020**

(51) **LOC (13) Cl.** **28-03**

(52) **U.S. Cl.**
USPC **D4/100**; D28/35

(58) **Field of Classification Search**
USPC D4/100, 117, 120, 121, 130, 136, 138,
D4/199; 132/120; D28/24, 25, 35
CPC A45D 20/48; A45D 20/50; A45D 20/52;
A45D 24/16; A45D 24/007; A45D 2/001;
A45D 2/002; A45D 7/02; A46B 15/003;
A46B 15/0059; A46B 9/023
See application file for complete search history.

(56) **References Cited**

U.S. PATENT DOCUMENTS

D276,382 S *	11/1984	Dalrymple	D4/119
D309,529 S *	7/1990	Kim	D28/25
D358,260 S *	5/1995	Chan	D4/138
D404,522 S *	1/1999	Kip	D28/18
D471,364 S *	3/2003	Kwong	D4/120
D545,064 S *	6/2007	Knight	D4/121
7,650,893 B2 *	1/2010	De Laforcade	A45D 19/02 132/218
D609,857 S	2/2010	Schmitz		
D646,898 S *	10/2011	Raven	D4/118
8,206,201 B2 *	6/2012	Fioratti	B24D 18/0009 451/526
D816,346 S *	5/2018	Zhou	D4/100
D821,649 S	6/2018	Qin		
D825,929 S *	8/2018	Julemont	D4/100
D826,567 S *	8/2018	Yan	D4/100
D832,584 S *	11/2018	Composto	D4/100

D836,344 S *	12/2018	Keong	D4/100
D862,087 S *	10/2019	Ma	D4/100
2008/0017217 A1 *	1/2008	Leung	A45D 20/525 132/313

(Continued)

FOREIGN PATENT DOCUMENTS

CN	303636728	*	4/2016
CN	003081124-0001	*	5/2016
CN	303731607	*	6/2016

(Continued)

OTHER PUBLICATIONS

Screen captures from video entitled, "Quick and Easy Beard Straightening / Beard Styling With a Heated Brush," by SDSBBQ [on-line]. [Published Sep. 3, 2019.] [Retrieved from the Internet Mar. 1, 2020.] URL: <https://www.youtube.com/watch?v=YmF9IM9hHhI> (Year: 2019).*

(Continued)

Primary Examiner — Karen E Eldridge Powers

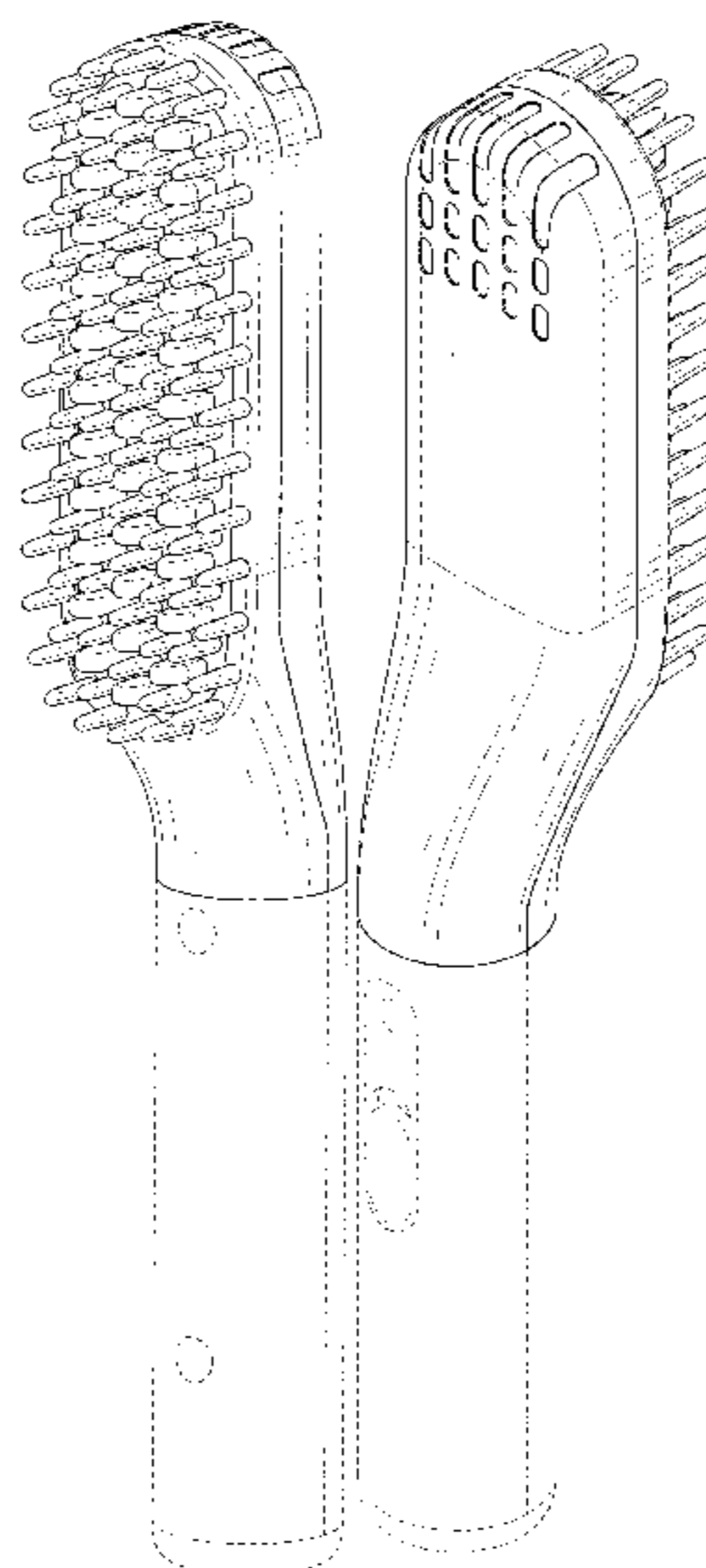
(57) **CLAIM**

The ornamental design for a beard straightener, as shown and described.

DESCRIPTION

FIG. 1 is a perspective view of a beard straightener showing my new design;
FIG. 2 is another perspective view thereof;
FIG. 3 is a front elevational view thereof;
FIG. 4 is a rear elevational view thereof;
FIG. 5 is a left side elevational view thereof;
FIG. 6 is a right side elevational view thereof;
FIG. 7 is a top plan view thereof; and,
FIG. 8 is a bottom plan view thereof.
The broken lines in the drawings depict portions of the beard straightener that form no part of the claimed design.

1 Claim, 8 Drawing Sheets



(56)

References Cited

U.S. PATENT DOCUMENTS

2018/0055188 A1* 3/2018 Potts A46B 9/028

FOREIGN PATENT DOCUMENTS

CN	304463323	*	1/2018
CN	305461920	*	11/2019
CN	305546961	*	1/2020
CN	305614068	*	2/2020

OTHER PUBLICATIONS

“TElectric Beard/Hair Straightener Brush Comb, Hot Tools Hair Flat Curling Iron, Fast Shaping for Beard Grooming And Hair Styling for Men”, Retrieved Nov. 23, 2020]. Retrieved from Internet, <https://www.amazon.com/dp/B07RVN4S51>.

* cited by examiner

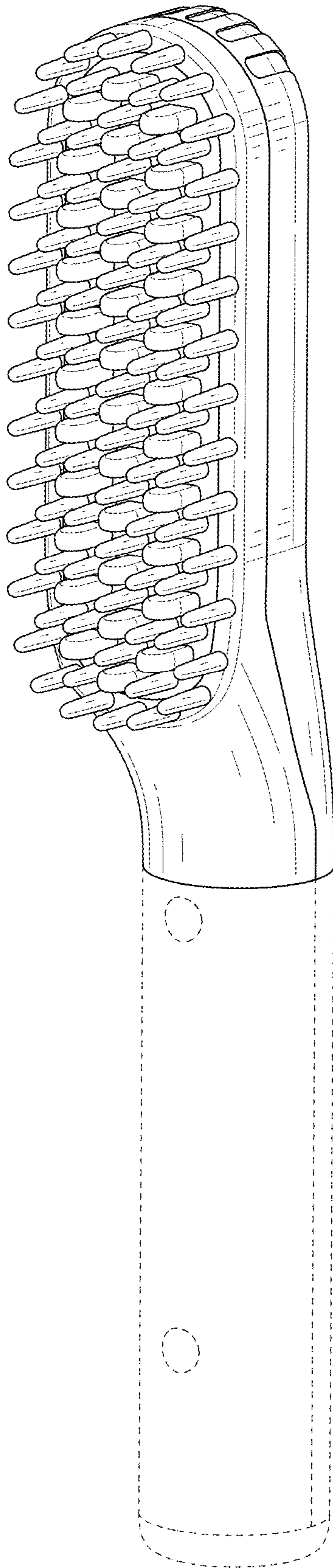


FIG. 1

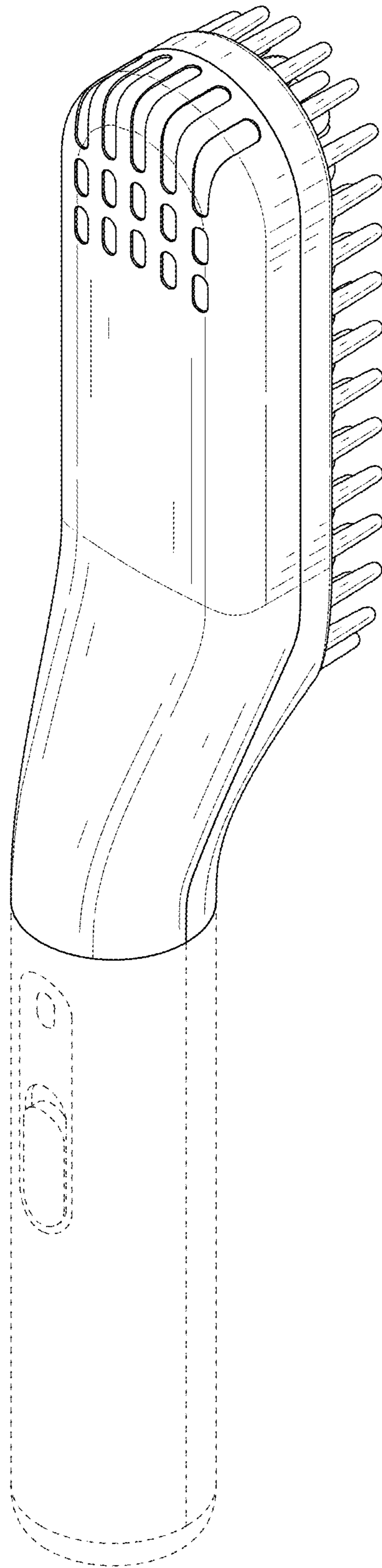


FIG. 2

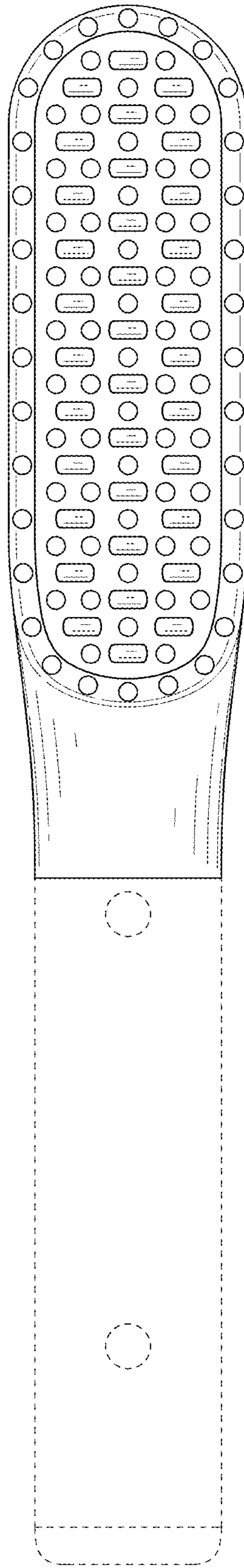


FIG. 3

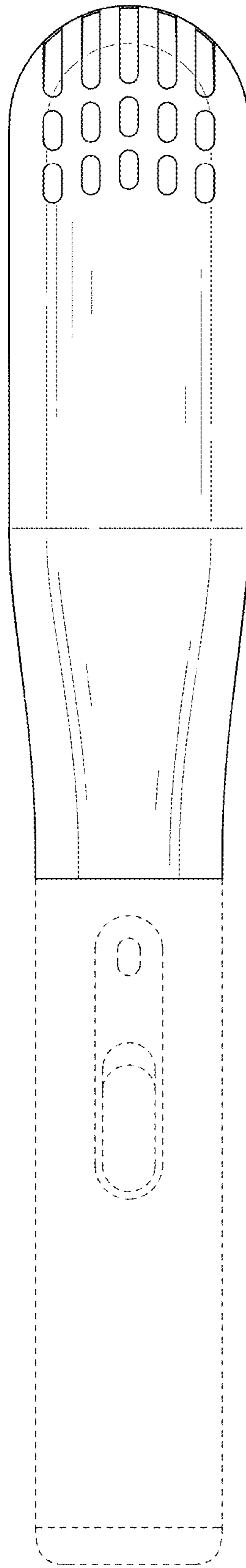


FIG. 4

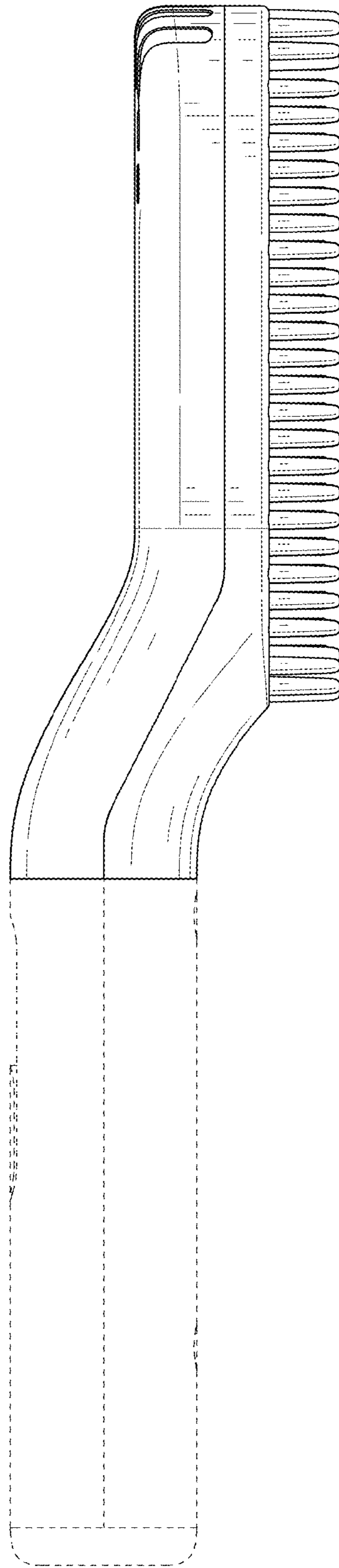


FIG. 5

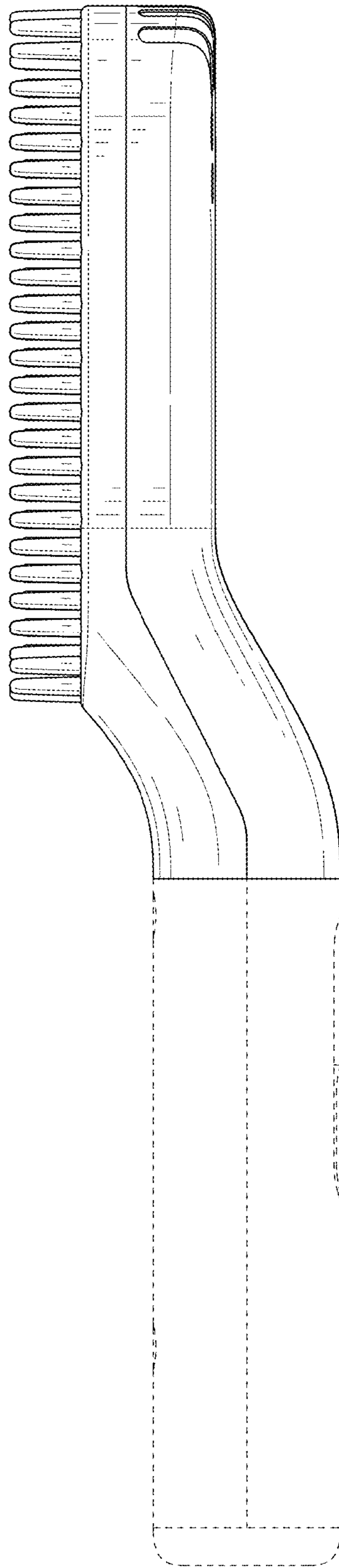


FIG. 6

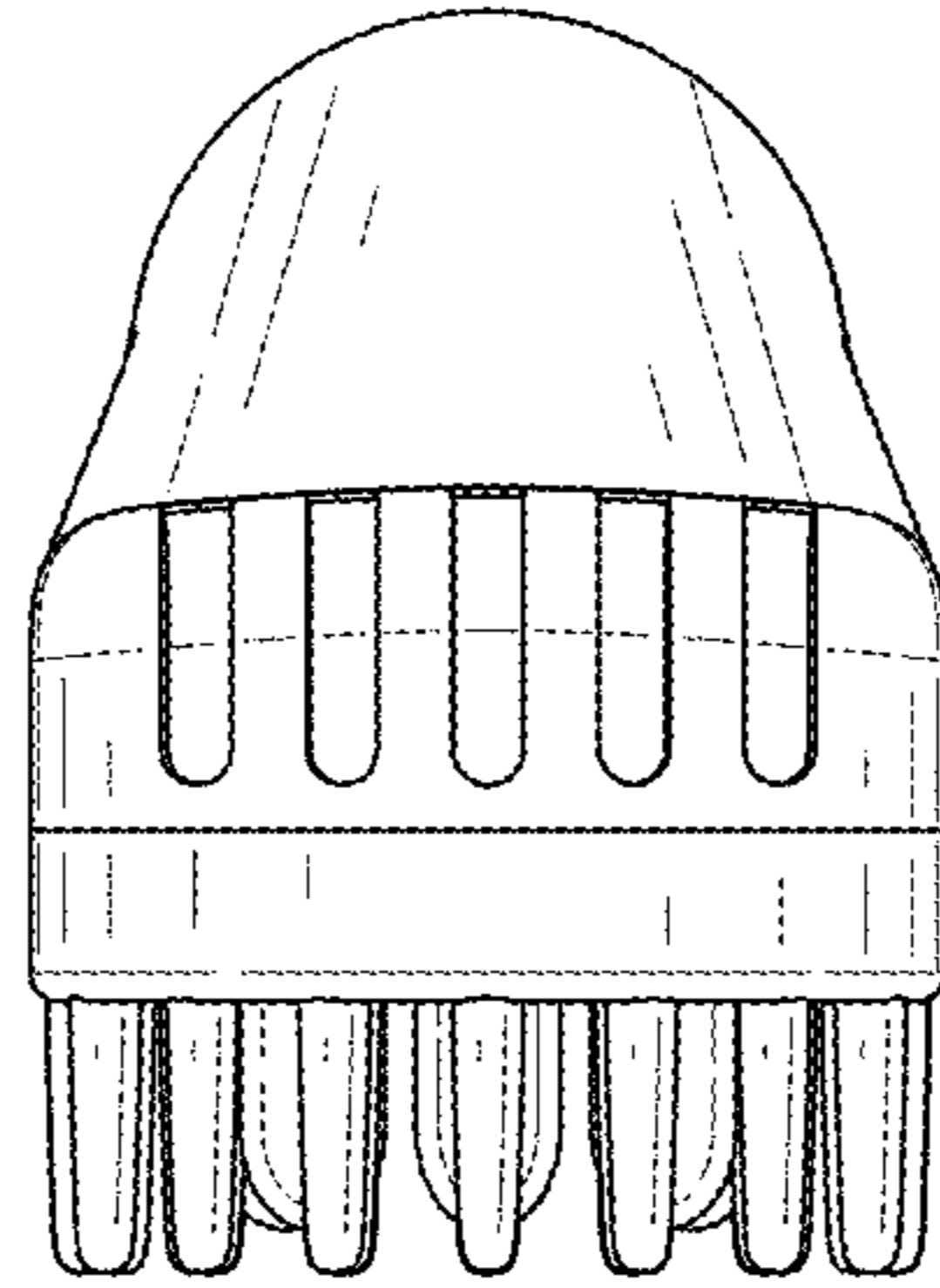


FIG. 7

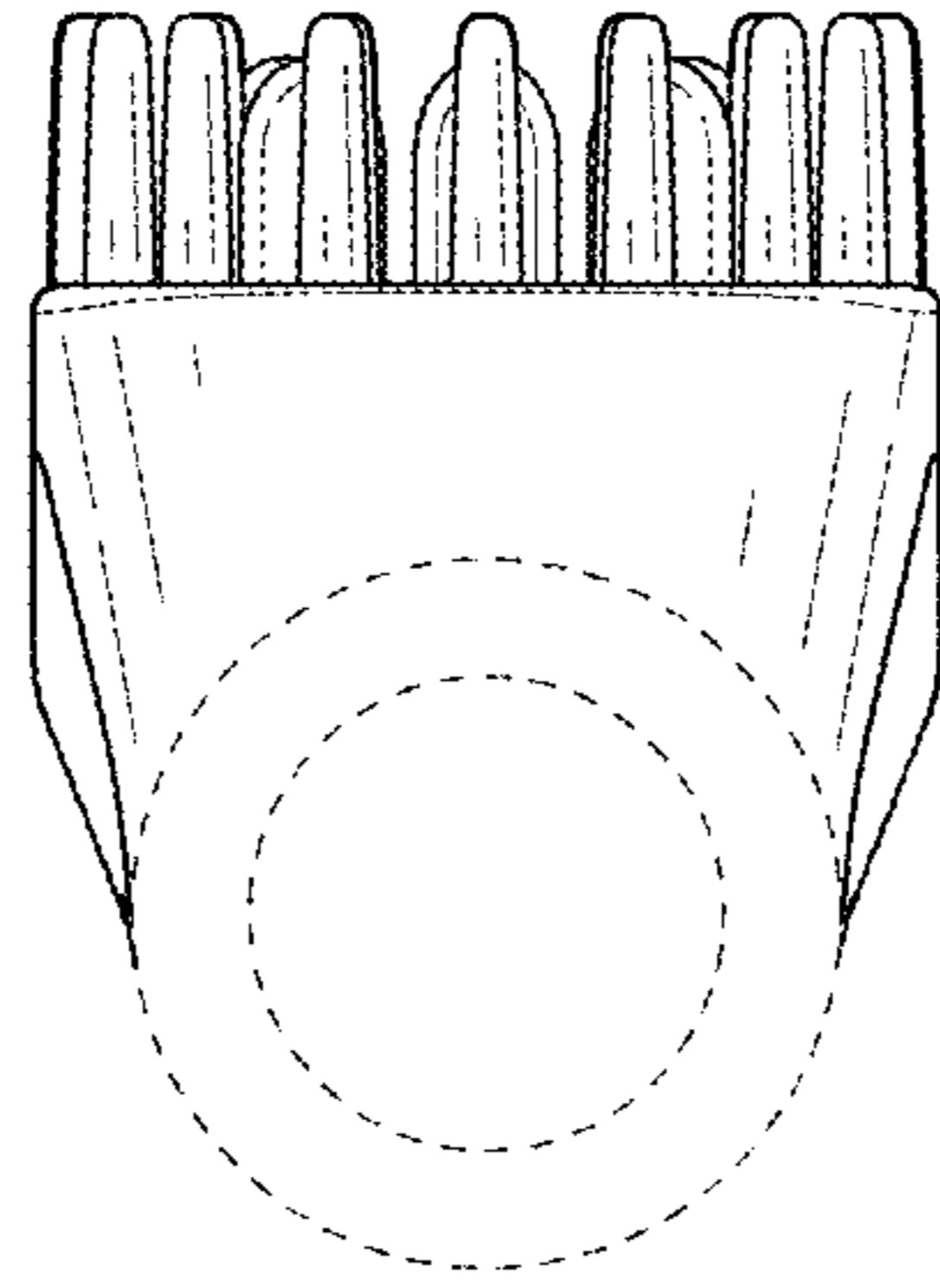


FIG. 8