



US00D906676S

(12) **United States Design Patent** (10) **Patent No.:** **US D906,676 S**
Jirak (45) **Date of Patent:** **** Jan. 5, 2021**

(54) **LAYERED INSERT**
(71) Applicant: **Threaded Bliss LLC**, Portland, OR (US)
(72) Inventor: **Thea D Jirak**, Happy Valley, OR (US)
(73) Assignee: **Threaded Bliss, LLC**, Milwaukie, OR (US)
(**) Term: **15 Years**
(21) Appl. No.: **29/681,635**
(22) Filed: **Feb. 27, 2019**
(51) **LOC (13) Cl.** **03-01**
(52) **U.S. Cl.**
USPC **D3/318**
(58) **Field of Classification Search**
USPC D3/18, 20, 201, 274, 318, 319, 328;
D9/456
CPC .. A45C 13/02; A45C 2013/026; B25H 3/023;
B25H 3/06; B65D 5/509; B65D 81/051;
B65D 81/3804; B65D 81/3816
See application file for complete search history.

5,878,757 A * 3/1999 Hernandez A45C 3/02
132/287
D407,559 S * 4/1999 Roegner D3/284
D414,808 S * 10/1999 Hunt D19/69
D432,790 S * 10/2000 Streich D3/315
D447,052 S * 8/2001 Goserud D9/418
D448,048 S * 9/2001 Brown, III D19/75
(Continued)

OTHER PUBLICATIONS

Pelican, iM2050GP1 Storm GoPro Case, posted at pelican.com, © 2019 Pelican Products, Inc., [online], [site visited Sep. 5, 2019], 4 pages, available from Internet, <URL: https://www.pelican.com/us/en/product/cases/gopro-case/storm/im2050gp1>.

Primary Examiner — Steven J Czyz
(74) *Attorney, Agent, or Firm* — Howard Russell

(57) **CLAIM**

The ornamental design for a layered insert, as shown and described.

DESCRIPTION

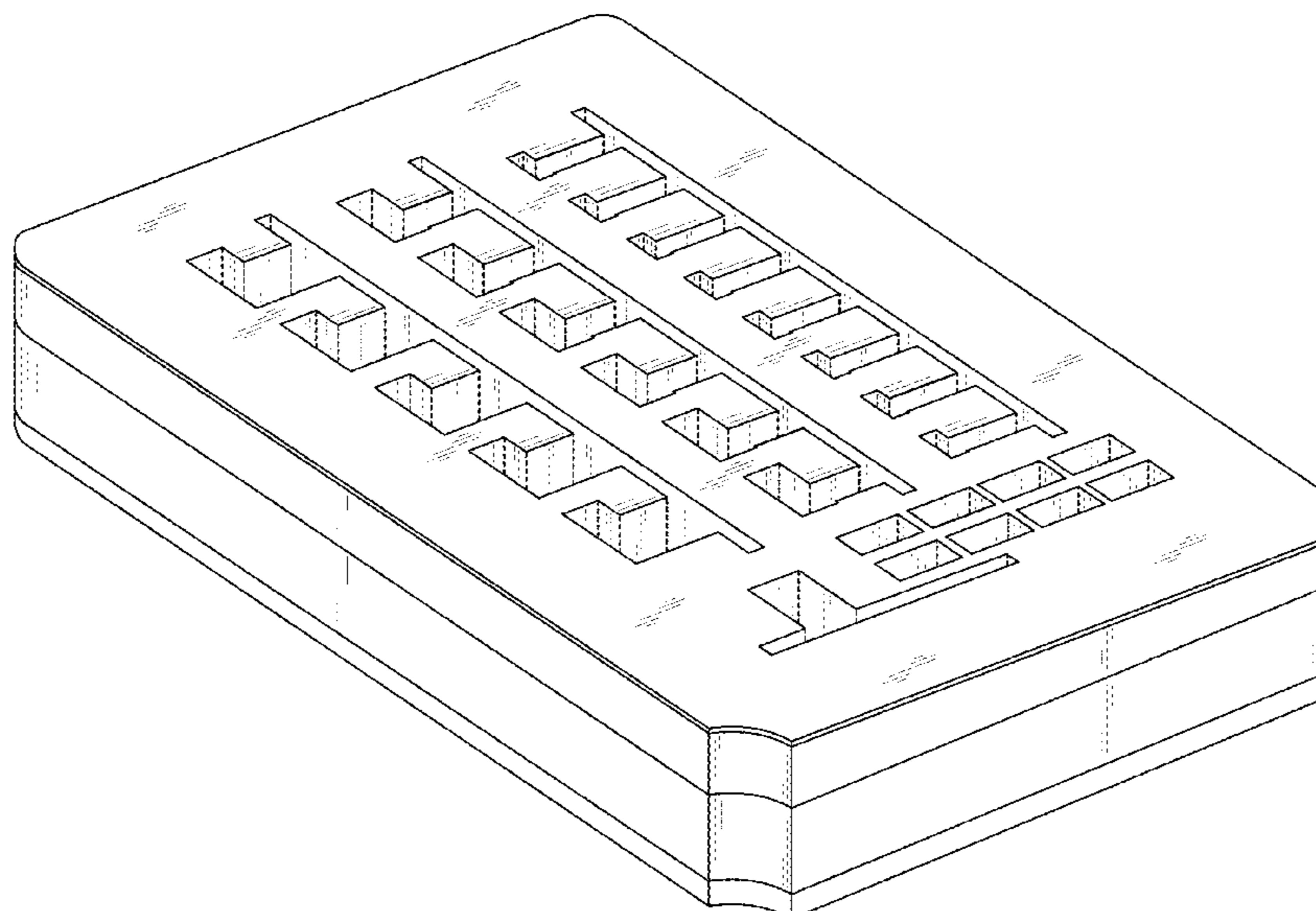
FIG. 1 is top plan view of a layered insert showing my design;
FIG. 2 is a front elevation view of the layered insert of FIG. 1;
FIG. 3 is a rear elevation view of the layered insert of FIG. 1;
FIG. 4 is a left-side elevation view of the layered insert of FIG. 1;
FIG. 5 is a right-side elevation view of the layered insert of FIG. 1;
FIG. 6 is a bottom view of the layered insert of FIG. 1; and,
FIG. 7 is a perspective view of the layered insert of FIG. 1. Openings in FIGS. 1 and 7 containing dashed lines therein showing depth and contour form no part of the claimed design.

1 Claim, 5 Drawing Sheets

(56) **References Cited**

U.S. PATENT DOCUMENTS

3,327,841 A * 6/1967 Confer B65D 43/162
206/349
4,709,817 A * 12/1987 Keady B65D 81/107
206/521
D304,636 S * 11/1989 Jun D34/28
5,009,088 A * 4/1991 Cislo F41C 33/06
109/51
D347,729 S * 6/1994 Bible, Jr. D3/274
D363,509 S * 10/1995 Parekh D19/75
D369,469 S * 5/1996 Gregory D3/313
D369,678 S * 5/1996 Hammer D3/318
D376,690 S * 12/1996 Lockerby D3/273
D380,380 S * 7/1997 Quinton D9/737
D385,108 S * 10/1997 Tschudy D3/262



(56)

References Cited

U.S. PATENT DOCUMENTS

6,415,922	B1 *	7/2002	Lee	B25H 3/003 206/372
6,446,809	B2 *	9/2002	Flynn	A45C 5/02 190/125
D491,693	S *	6/2004	Chen	D28/83
7,259,502	B2 *	8/2007	Kami	H04R 1/06 310/324
D554,866	S *	11/2007	Hasty	D3/319
8,899,416	B2 *	12/2014	McDonnough	A45C 13/02 206/373
D743,250	S *	11/2015	Kikuhara	D9/425
D746,061	S *	12/2015	Wax	D3/318
D746,595	S *	1/2016	Wax	D3/318
D764,293	S *	8/2016	Wang	D9/456
D786,073	S *	5/2017	Hutcheson, Jr.	D22/134
D787,174	S *	5/2017	Oie	D3/20
D796,204	S *	9/2017	Wax	D3/318
9,958,224	B2 *	5/2018	Agnelli, Jr.	F41A 23/18
D829,565	S *	10/2018	Safdie	D9/737
D829,566	S *	10/2018	Safdie	D9/737
D857,393	S *	8/2019	Wax	D3/318
D858,098	S *	9/2019	Natsume	D3/263
D861,349	S *	10/2019	Zabel	D3/319
2006/0073289	A1 *	4/2006	Bahnsen	B29C 49/50 428/34.1
2015/0375893	A1 *	12/2015	Korinek	B29C 51/264 493/90

* cited by examiner

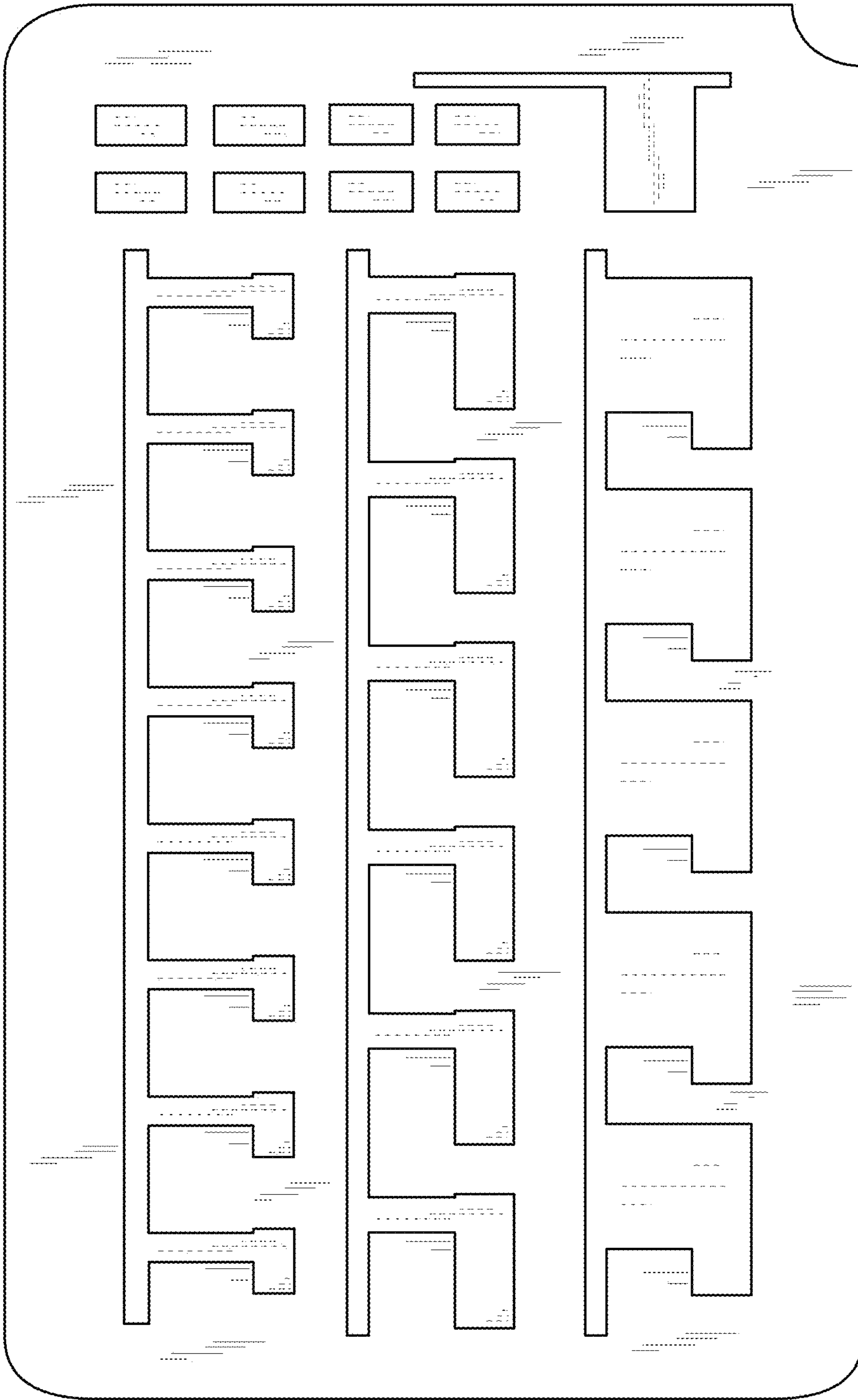


FIG. 1

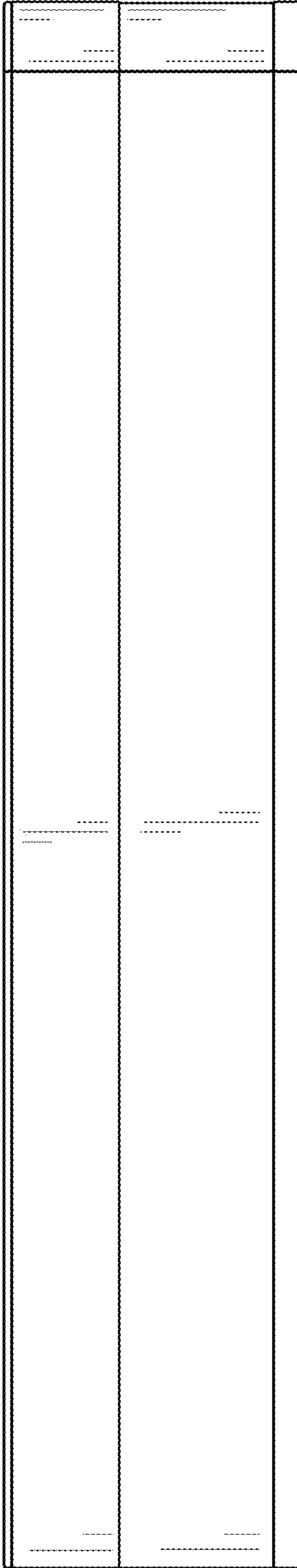


FIG. 2

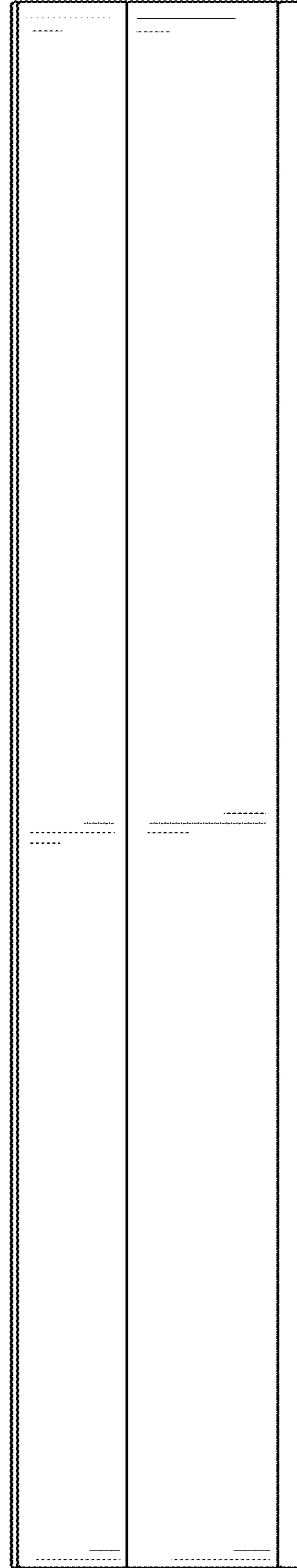


FIG. 3

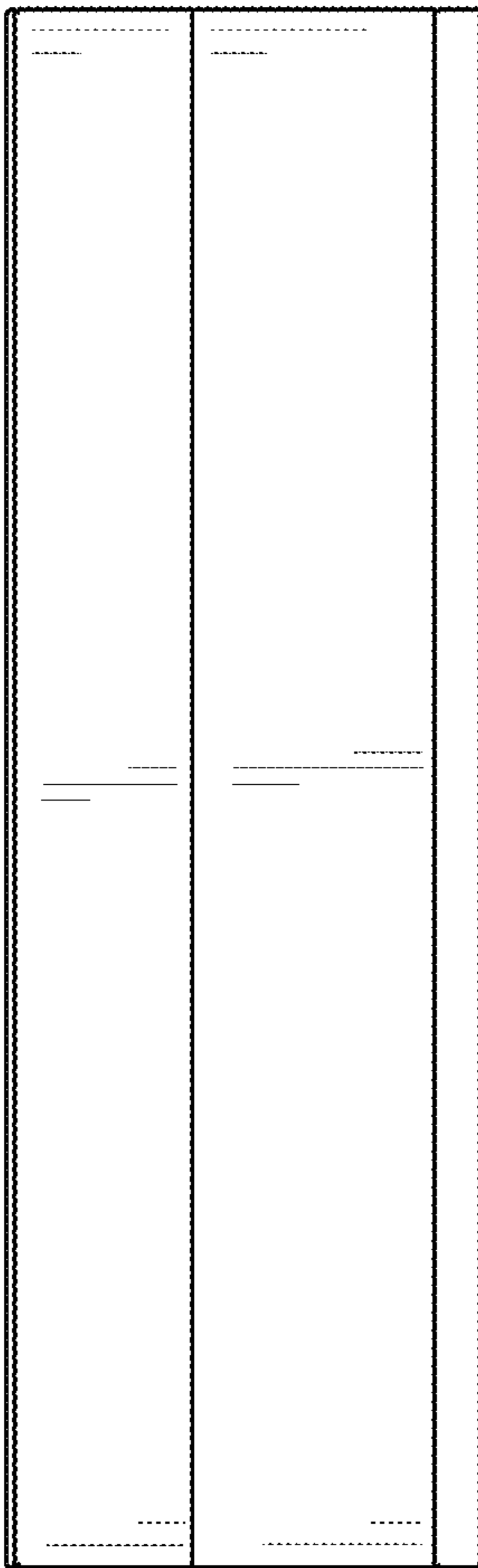


FIG. 4

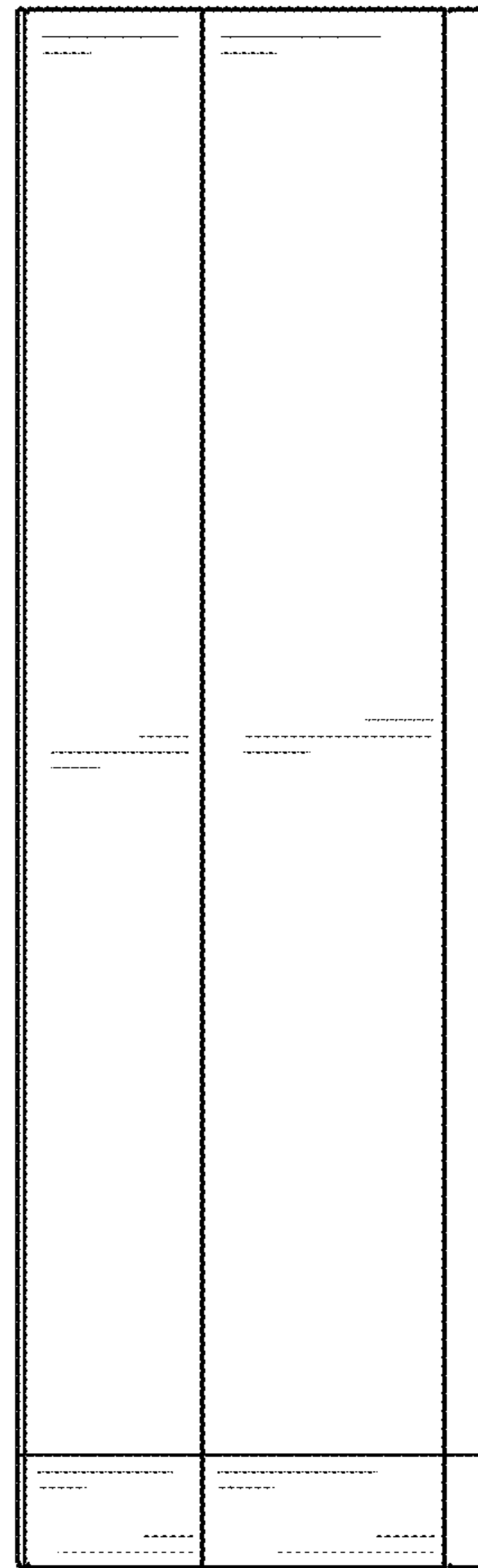


FIG. 5

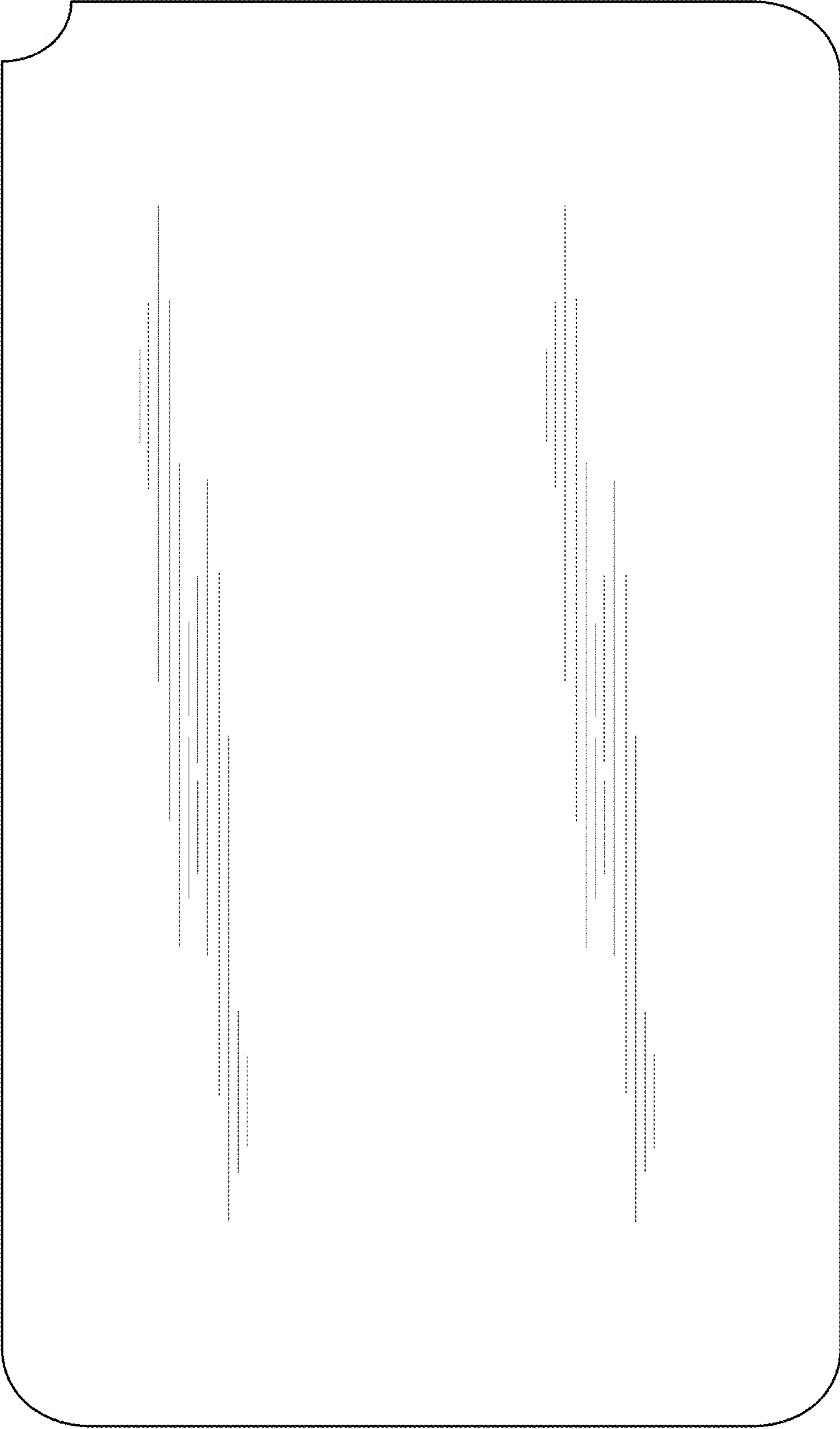


FIG. 6

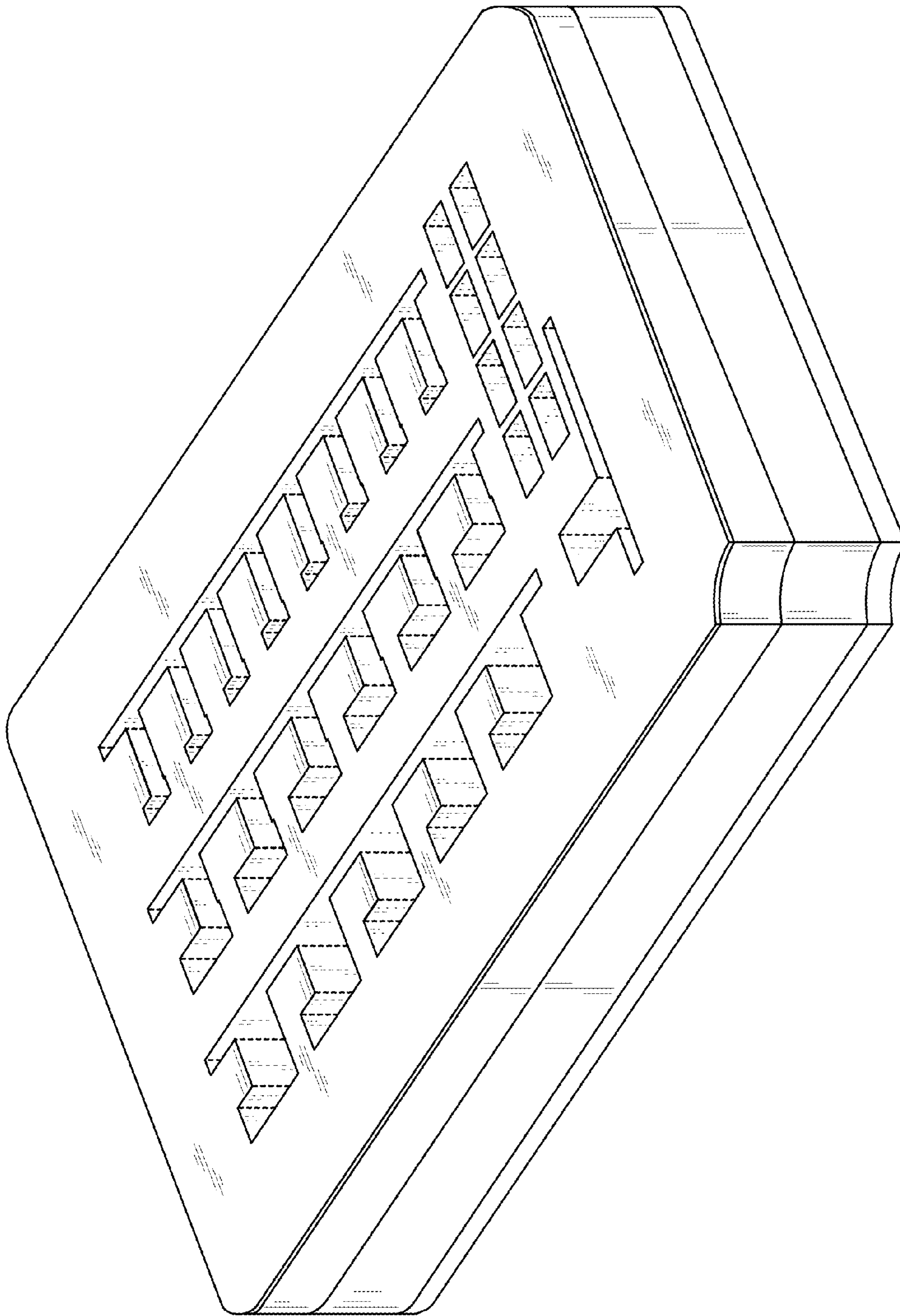


FIG. 7