



US00D906673S

(12) **United States Design Patent** (10) **Patent No.:** **US D906,673 S**  
**O'Donnell et al.** (45) **Date of Patent:** **\*\* Jan. 5, 2021**

(54) **MOTORIZED SUITCASE PULL HANDLE**

(71) Applicants: **Kevin O'Donnell**, Chicago, IL (US);  
**Boyd Bruner**, Chicago, IL (US)

(72) Inventors: **Kevin O'Donnell**, Chicago, IL (US);  
**Boyd Bruner**, Chicago, IL (US)

(73) Assignee: **Modobag, Inc.**, Chicago, IL (US)

(\*\*) Term: **15 Years**

(21) Appl. No.: **29/605,214**

(22) Filed: **May 24, 2017**

**Related U.S. Application Data**

(63) Continuation of application No. 15/059,015, filed on  
Mar. 2, 2016, now Pat. No. 9,561,905.

(51) **LOC (13) Cl.** ..... **03-01**

(52) **U.S. Cl.**  
USPC ..... **D3/318; D3/279**

(58) **Field of Classification Search**  
USPC ..... D3/272, 273, 276, 279, 289, 318, 321,  
D3/322, 328  
CPC .... A45C 5/00; A45C 5/03; A45C 5/04; A45C  
2009/005; A45C 13/262; A45C 13/28;  
A45C 2013/267  
See application file for complete search history.

(56) **References Cited**

**U.S. PATENT DOCUMENTS**

- 6,024,194 A \* 2/2000 Chung-Hsien ..... A45C 5/14  
190/114
- 6,357,567 B1 \* 3/2002 Tsai ..... A45C 5/02  
16/113.1
- D479,651 S \* 9/2003 Shen ..... D3/279
- D663,953 S \* 7/2012 Chidiac ..... D3/279
- D710,107 S \* 8/2014 Sangirardi ..... D3/318

- D820,594 S \* 6/2018 Yu ..... D3/279
- D821,097 S \* 6/2018 Burton ..... D3/289
- D827,304 S \* 9/2018 Tao ..... D3/318
- D832,576 S \* 11/2018 Schultz ..... D3/279
- 2010/0163358 A1 \* 7/2010 Tsai ..... A45C 5/146  
190/18 A
- 2016/0255928 A1 \* 9/2016 O'Donnell ..... A45C 5/03

**OTHER PUBLICATIONS**

Youtube, "Modobag—Rideable Carry-On Luggage!", Uploaded by  
user "Modobag" on May 5, 2016. (<https://www.youtube.com/watch?v=FG-ZSMfgoUU>) (Year: 2016).\*

(Continued)

*Primary Examiner* — April Rivas

(74) *Attorney, Agent, or Firm* — K&L Gates LLP

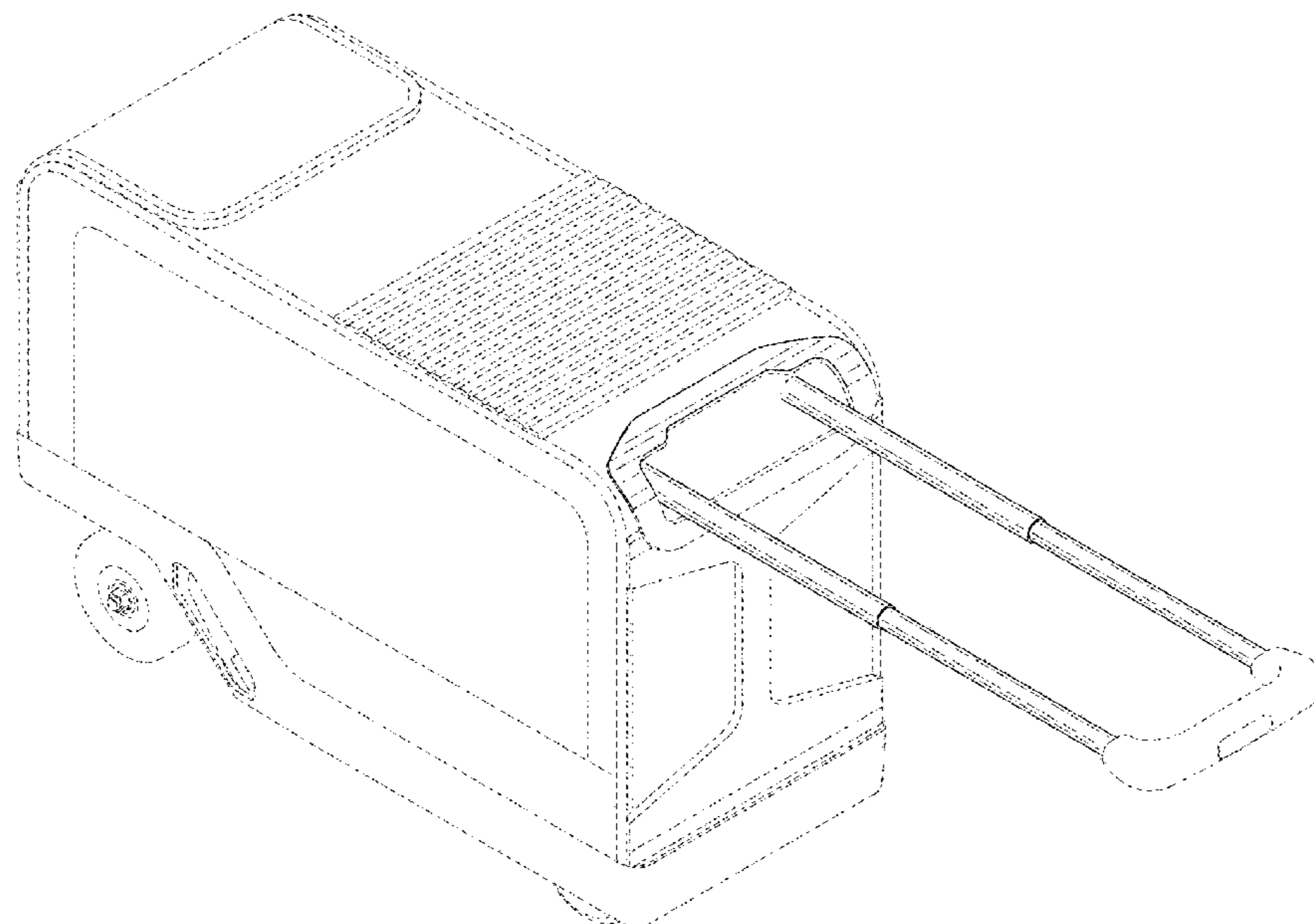
(57) **CLAIM**

The ornamental design for a motorized suitcase pull handle,  
as shown and described.

**DESCRIPTION**

FIG. 1 is a perspective view of a motorized suitcase pull  
handle with retracted pegs upon a motorized suitcase show-  
ing our new design;  
FIG. 2 is an inverted perspective view thereof;  
FIG. 3 is a left-side view thereof;  
FIG. 4 is a right-side view thereof;  
FIG. 5 is a back view thereof;  
FIG. 6 is a front view thereof;  
FIG. 7 is a top view thereof;  
FIG. 8 is a bottom view thereof; and,  
FIG. 9 is a perspective view of a motorized suitcase pull  
handle with extended pegs upon a motorized suitcase.  
Those portions of the figures that are presented in broken  
lines merely illustrate the environment of the design and are  
not part of the claimed design.

**1 Claim, 9 Drawing Sheets**



(56)

**References Cited**

OTHER PUBLICATIONS

Facebook, “@modobag” photos page, Dated Aug. 6, 2015-Feb. 16, 2016. ([https://www.facebook.com/pg/modobag/photos/?ref=page\\_internal](https://www.facebook.com/pg/modobag/photos/?ref=page_internal)) (Year: 2015).\*

Kickstarter, “Modobag: Rideable Carry-On Luggage!”, Project launched Aug. 4, 2015. (<https://www.kickstarter.com/projects/1118911480/modobag-changing-the-way-the-world-travels/description>) (Year: 2015).\*

Made-In-China “Highbright” shopfront, “Travelling Luggage Telescopic Trolley Pull Handle for Buid-in Suitcase”, accessed 01/14/20/20. (<https://highbright.en.made-in-china.com/product/NjcmCRgonLkr/China-Travelling-Luggage-Telescopic-Trolley-Pull-Handle-for-Buid-in-Suitcase.html>) (Year: 2020).\*

\* cited by examiner

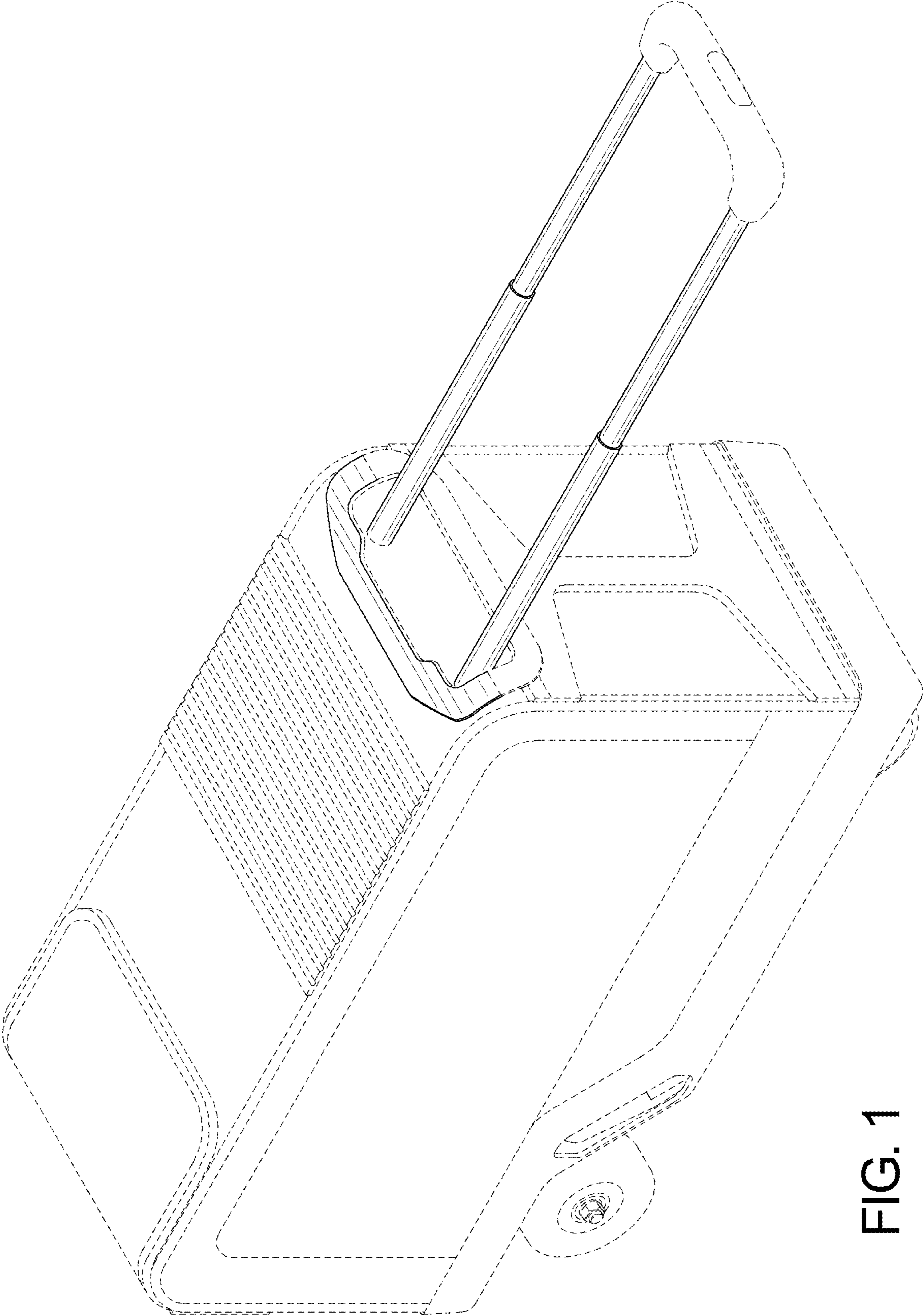


FIG. 1

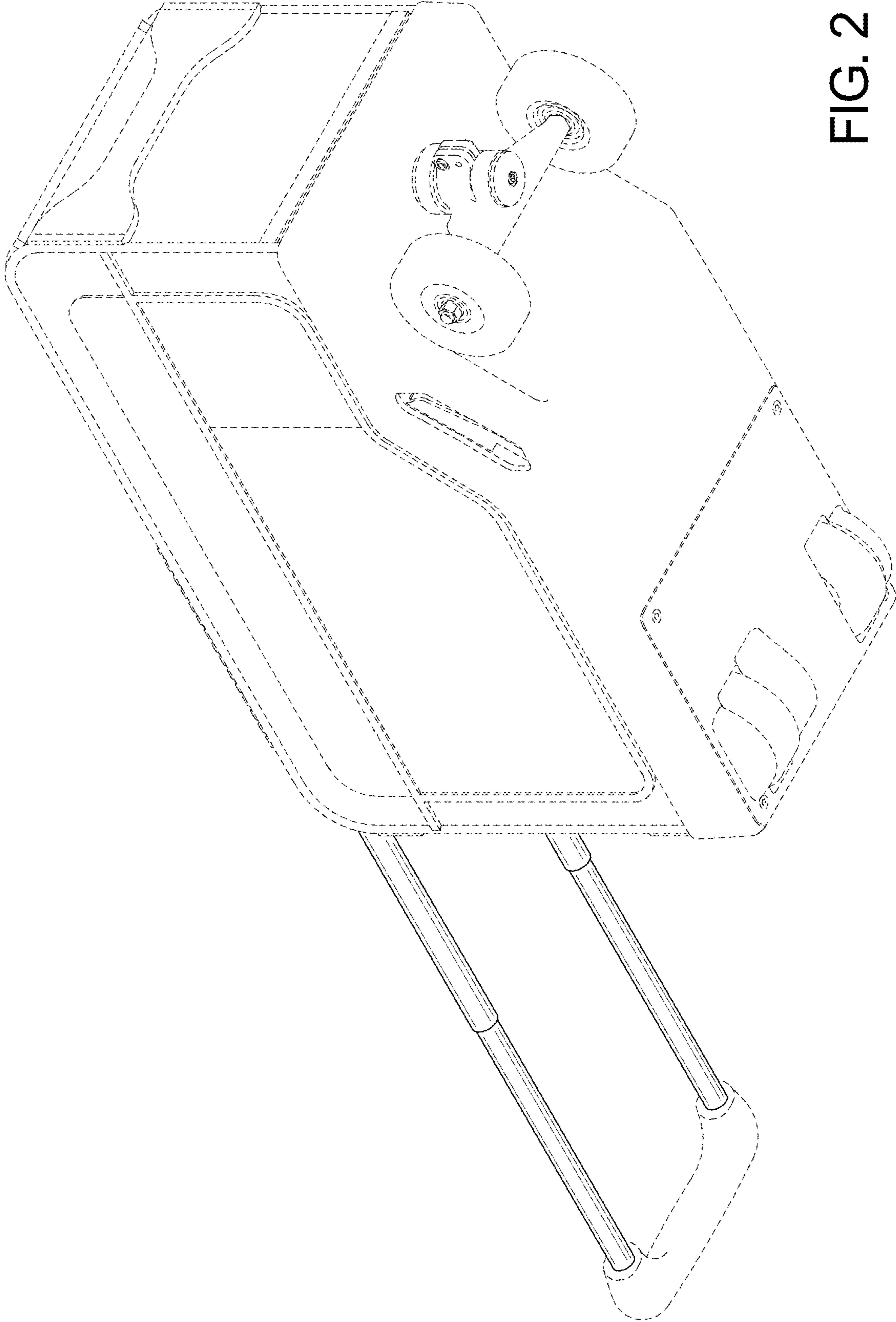


FIG. 2



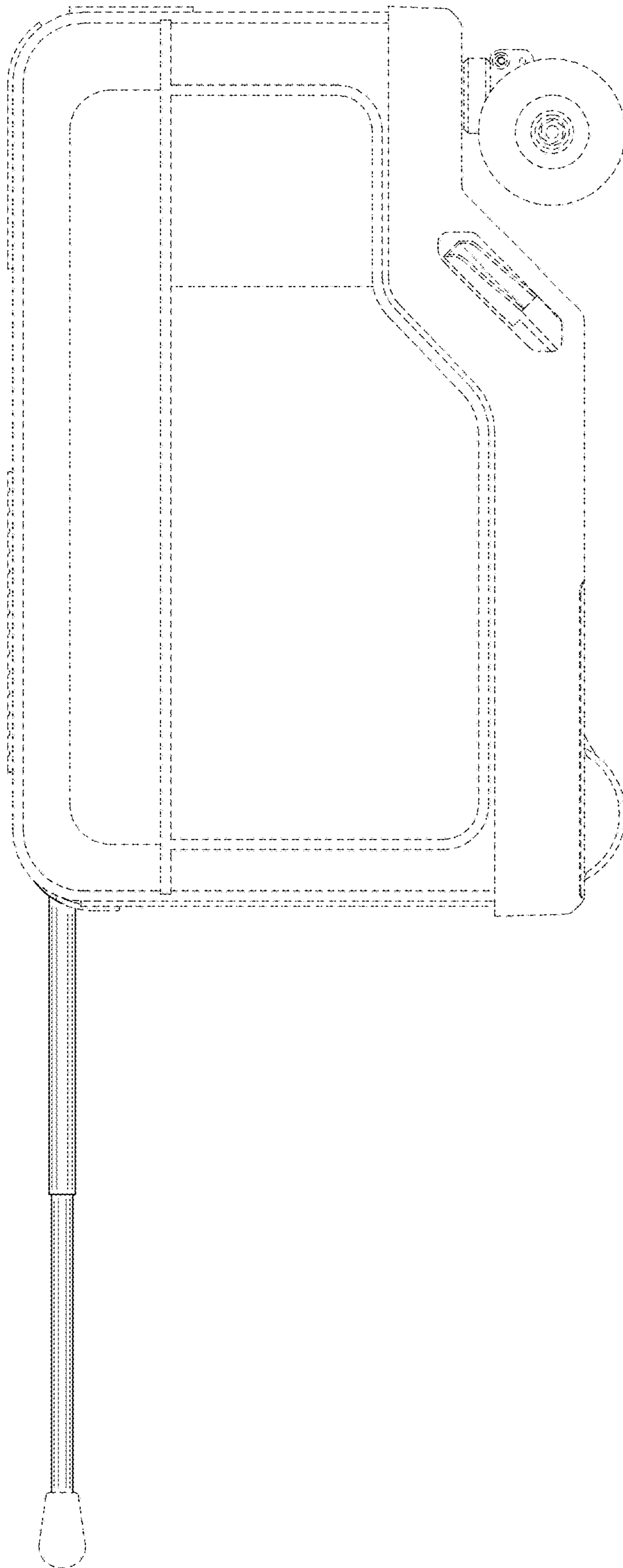


FIG. 3

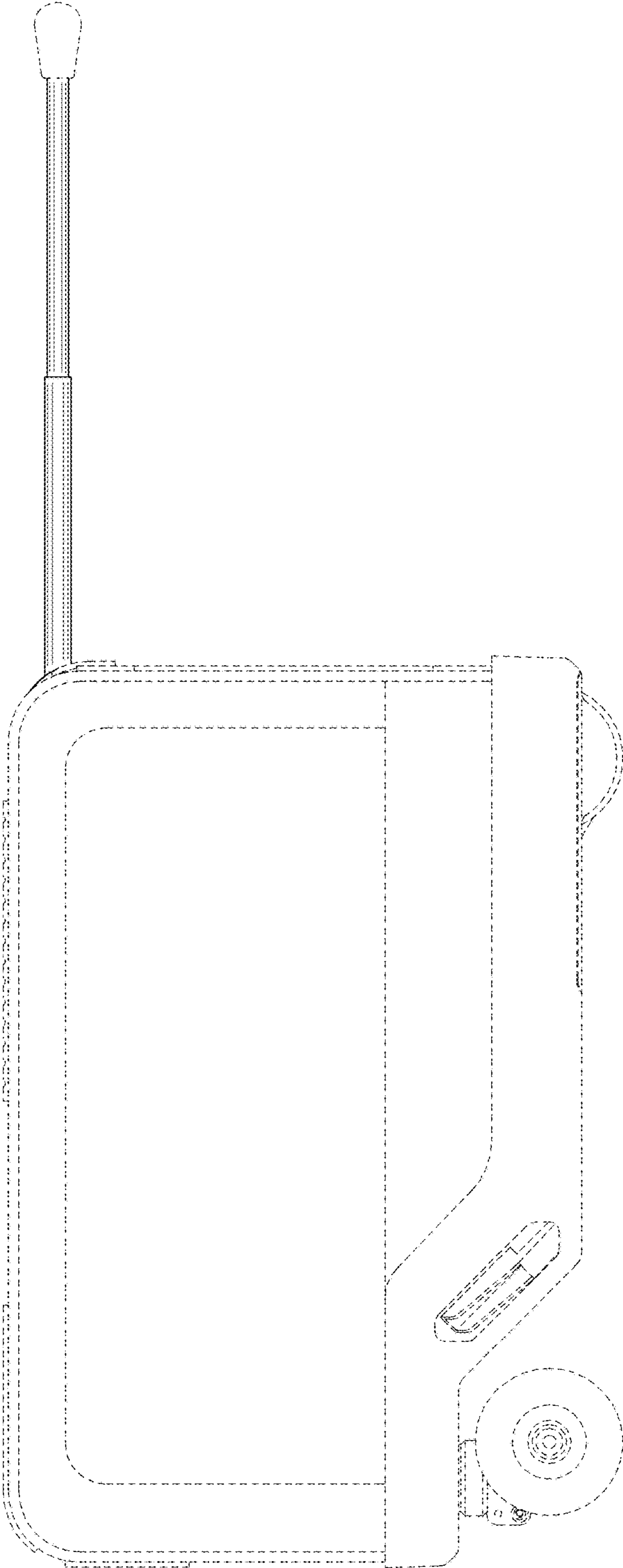


FIG. 4

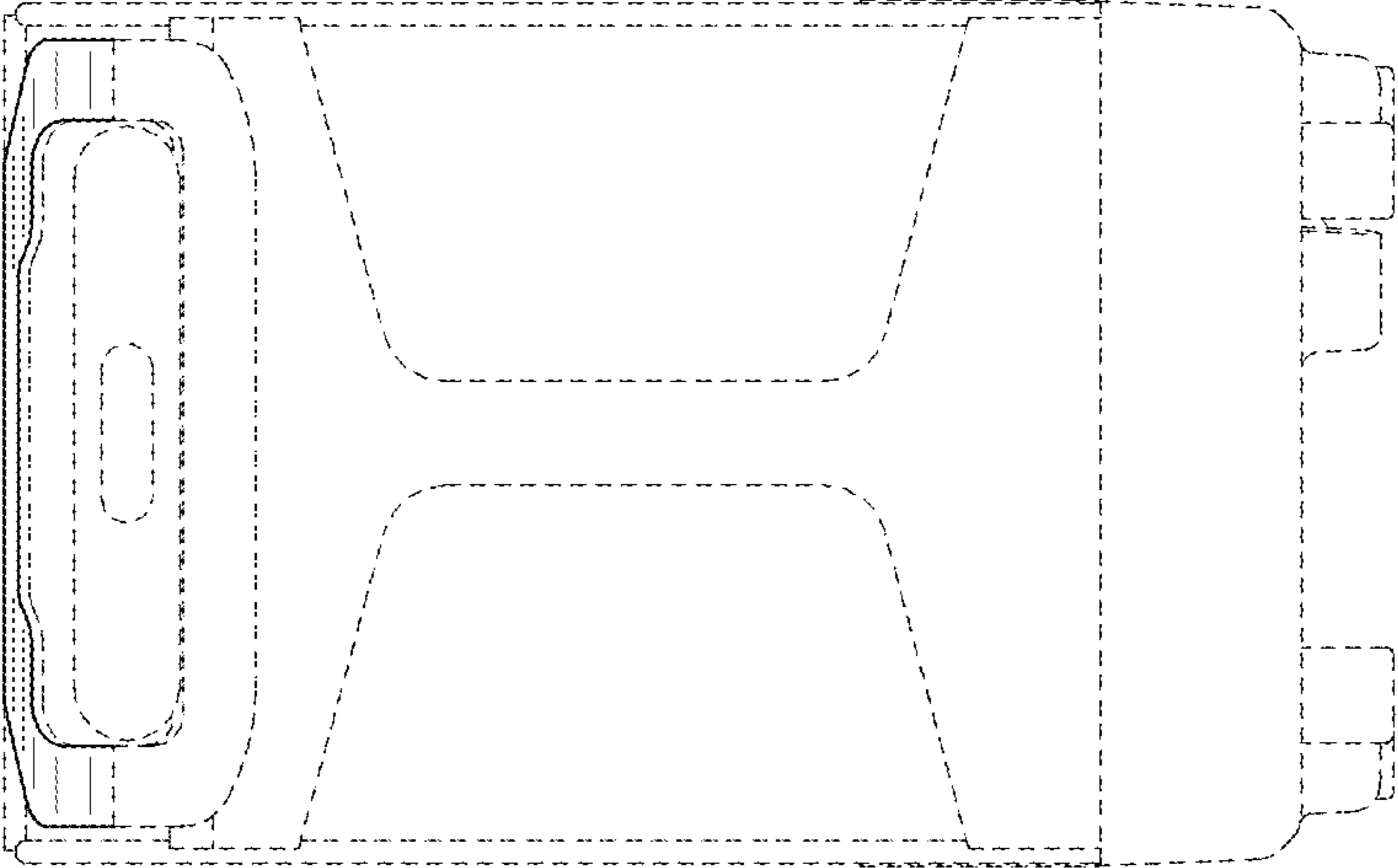


FIG. 5

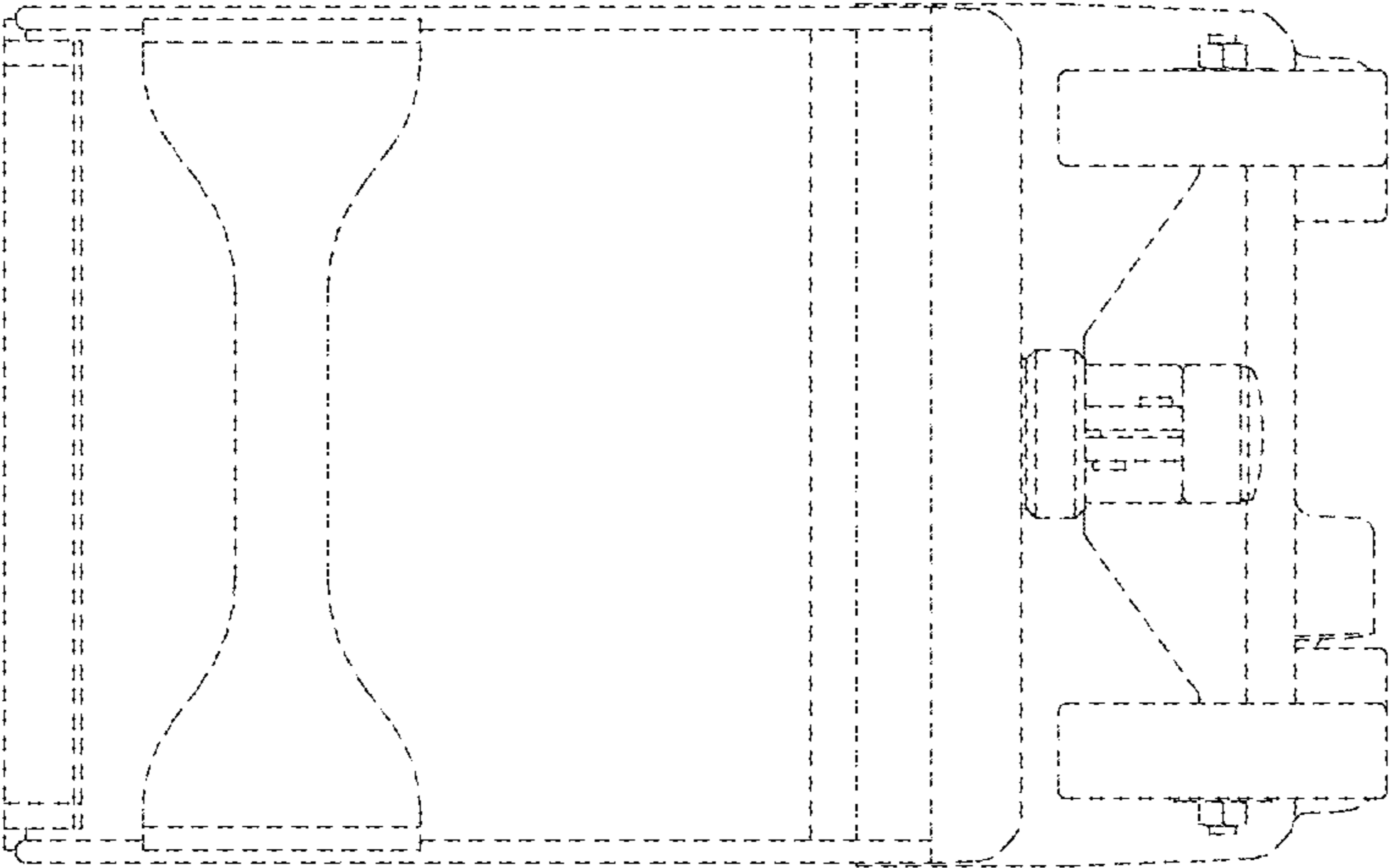


FIG. 6



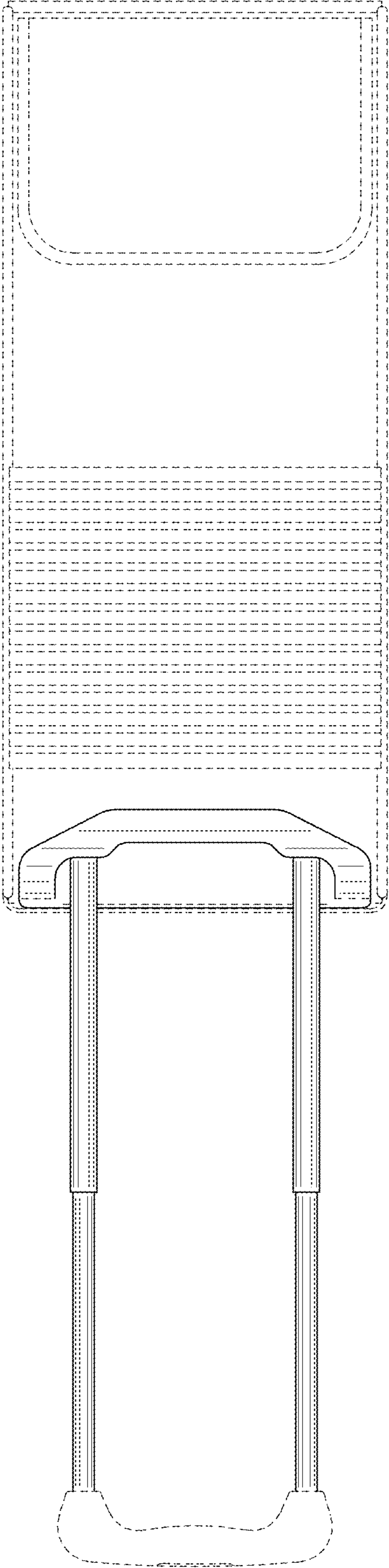


FIG. 7

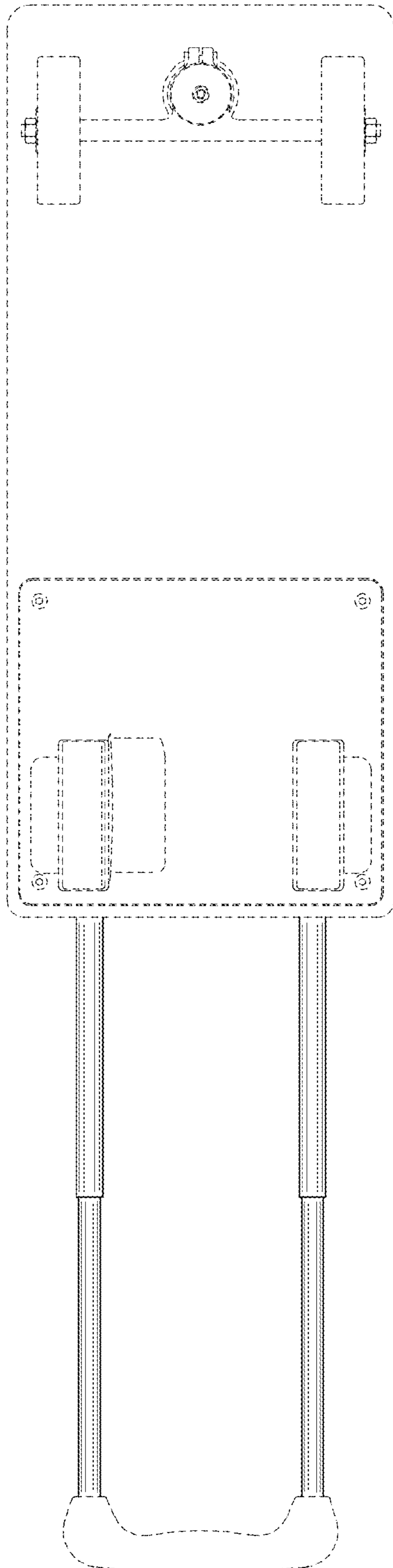


FIG. 8

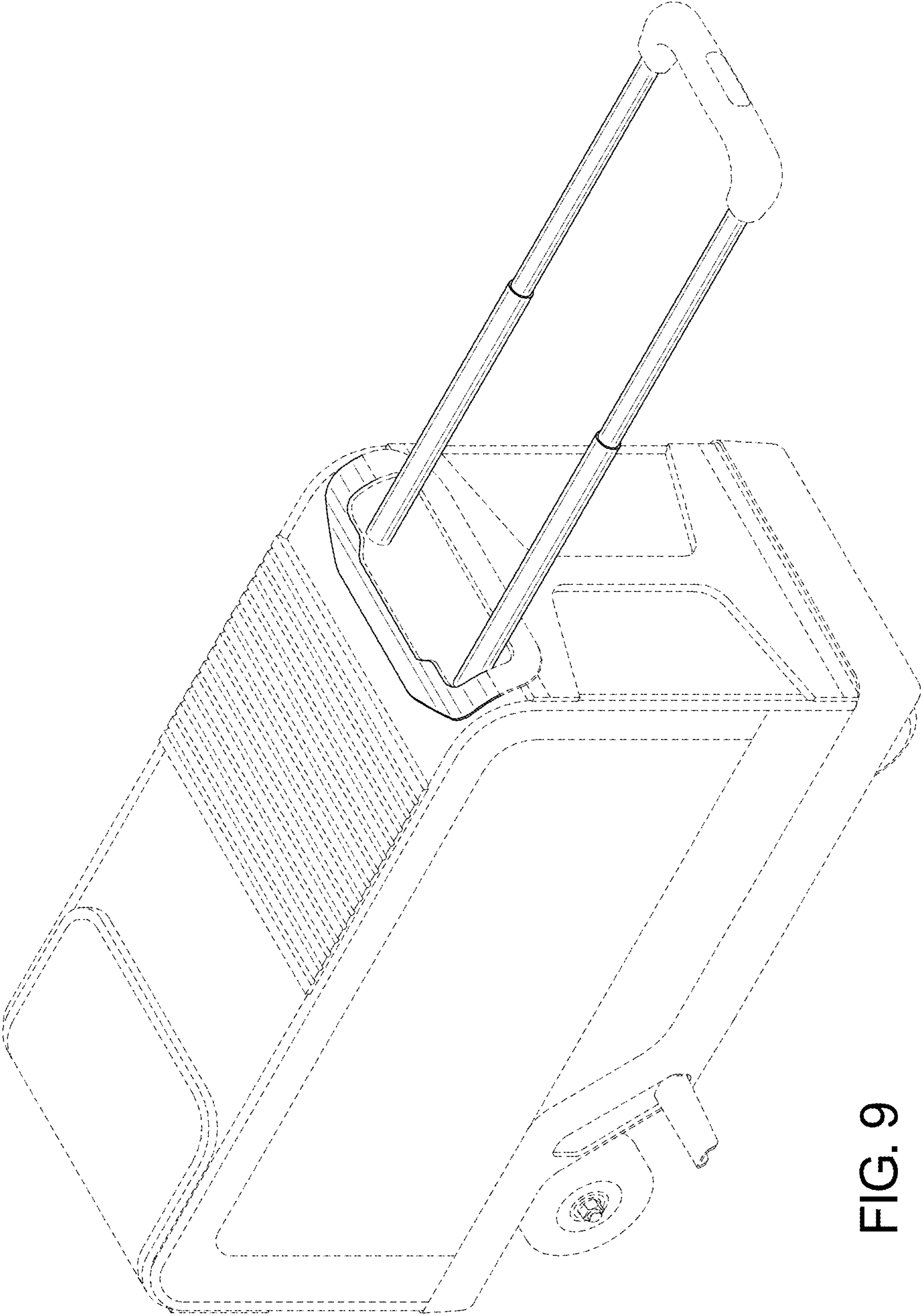


FIG. 9