



US00D906672S

(12) **United States Design Patent** (10) **Patent No.:** **US D906,672 S**
Wu (45) **Date of Patent:** **** Jan. 5, 2021**

(54) **BRIEFCASE**

(74) *Attorney, Agent, or Firm* — Lando & Anastasi, LLP

(71) Applicant: **TUMI, INC.**, Edison, NJ (US)

(57) **CLAIM**

(72) Inventor: **Peter C. Wu**, Sunnyside, NY (US)

The ornamental design for a briefcase, as shown and described.

(73) Assignee: **TUMI, INC.**, Edison, NJ (US)

DESCRIPTION

(**) Term: **15 Years**

(21) Appl. No.: **29/654,022**

(22) Filed: **Jun. 20, 2018**

(51) **LOC (13) Cl.** **03-01**

(52) **U.S. Cl.**
USPC **D3/287; D3/900**

(58) **Field of Classification Search**
USPC D3/20, 201, 203.6, 206, 233, 267, 271.1,
D3/273, 274, 276, 283, 284, 285, 287,
D3/289, 295, 900, 901, 905, 301, 232
CPC B25H 3/003; B25H 3/02; A45C 11/00;
A45C 2013/025; A45C 11/38; A45C
11/34; A45C 5/005; A45C 2003/008;
A45C 3/00

See application file for complete search history.

(56) **References Cited**

U.S. PATENT DOCUMENTS

D269,741 S 4/1983 Stark
D275,821 S 10/1984 Iszler
D342,608 S 12/1993 Gerner
D358,483 S * 5/1995 Cross D3/276
(Continued)

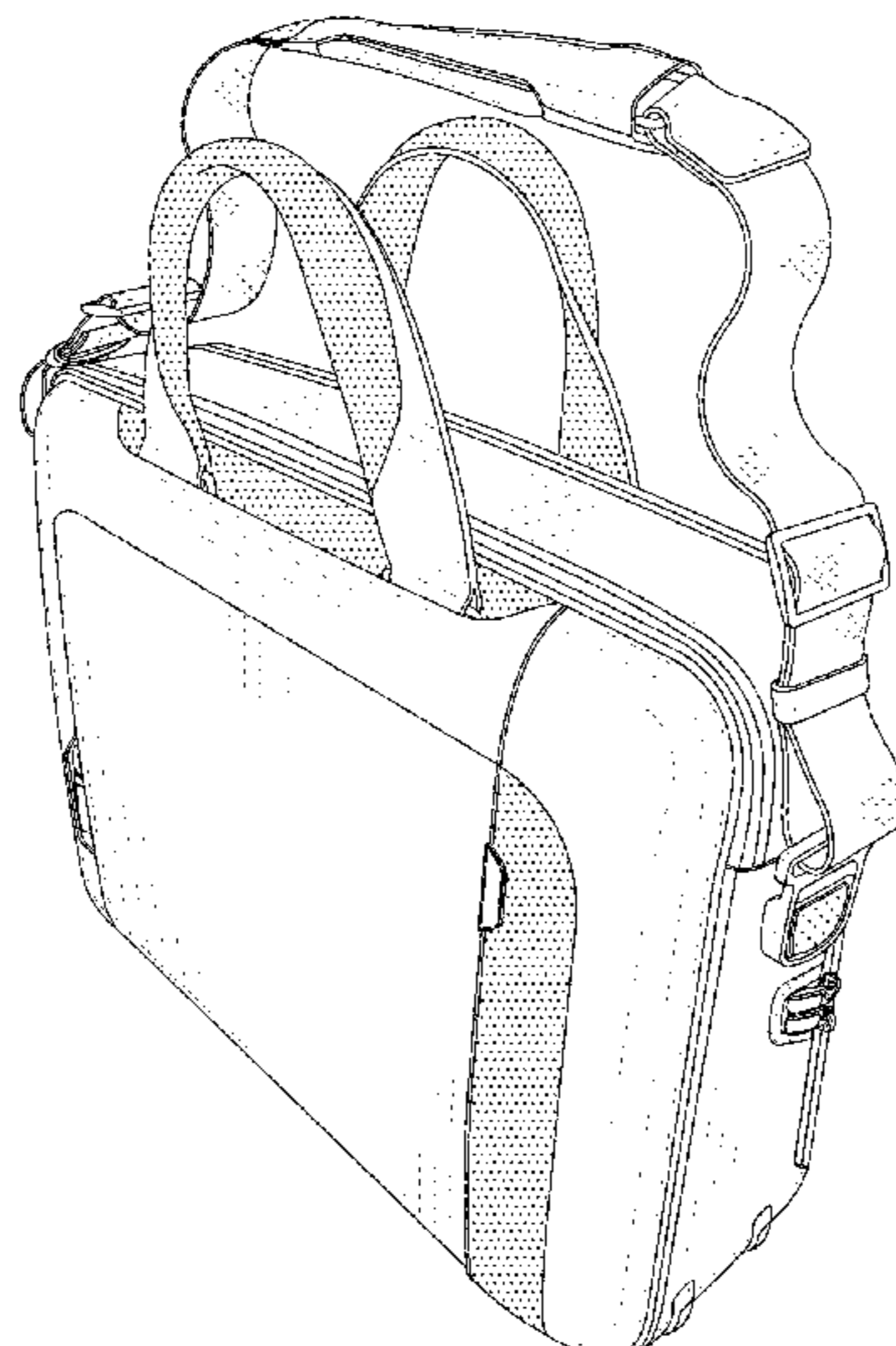
OTHER PUBLICATIONS

Tumi, "Sadler Brief ARRIVÉ", First reviewed "6 months ago" (Jun. 10, 2019). (<https://www.tumi.com/p/sadler-brief-01173251688/>) (Year: 2019).*

(Continued)

Primary Examiner — April Rivas

1 Claim, 14 Drawing Sheets



(56)

References Cited

U.S. PATENT DOCUMENTS

D360,978 S 8/1995 Willard et al.
 D361,205 S 8/1995 Hughes
 D429,065 S 8/2000 Hillman
 D441,533 S 5/2001 Tawil
 D443,417 S 6/2001 Hillman
 D443,983 S 6/2001 Hillman
 D456,601 S * 5/2002 Kegels D3/216
 D456,993 S 5/2002 Lin et al.
 6,431,334 B1 8/2002 Lin et al.
 D464,197 S * 10/2002 Kegels D3/276
 D468,101 S 1/2003 Hassett
 6,581,736 B1 6/2003 Scicluna
 D481,204 S 10/2003 Rada
 D498,924 S 11/2004 Karl
 D505,012 S * 5/2005 Godshaw D3/287
 D506,609 S * 6/2005 Hillman D3/289
 D518,956 S * 4/2006 Van Himbeeck D3/289
 D524,050 S 7/2006 Suppancig
 D534,353 S 1/2007 Hsieh
 D548,963 S 8/2007 Aliberti et al.
 D552,350 S * 10/2007 Bosley D3/287
 D588,809 S * 3/2009 Shor D3/287
 D591,045 S 4/2009 Chu et al.
 D594,652 S 6/2009 Guyon et al.
 D596,398 S 7/2009 Chu et al.
 D596,402 S 7/2009 Chu et al.
 D609,008 S 2/2010 Diamant
 D620,708 S 8/2010 Sanz
 D624,312 S 9/2010 Chu et al.
 D629,606 S 12/2010 Guichot
 D646,054 S 10/2011 Littleton
 D655,084 S * 3/2012 Shor D3/276
 D668,456 S * 10/2012 Du D3/285
 D674,187 S 1/2013 Jobert
 D675,019 S 1/2013 Jacobson
 D696,014 S 12/2013 Ng
 D698,548 S 2/2014 Jacobs
 D722,228 S 2/2015 Zwetzig
 D733,423 S 7/2015 Dumas
 D742,634 S 11/2015 Zwetzig
 D775,825 S * 1/2017 Chehebar D3/276

D804,820 S 12/2017 Tobias
 D813,539 S 3/2018 Van Assche
 D822,986 S 7/2018 Viger et al.
 D824,170 S 7/2018 Tobias
 D833,745 S * 11/2018 Barenbrug D3/287
 2004/0045781 A1 3/2004 Scicluna et al.
 2007/0193902 A1 8/2007 Myers et al.
 2008/0230338 A1 9/2008 Liang
 2009/0288925 A1 11/2009 Hess et al.
 2010/0288591 A1 11/2010 Drew et al.
 2013/0075213 A1 3/2013 Chi Yueh Chen et al.

OTHER PUBLICATIONS

Sz-Wholesale, Quinley Leather Expandable Executive Laptop Case, Update time listed as Jan. 2, 2013. <http://www.sz-wholesale.com/p/Executive-Laptop-Case/Expandable-Executive-Laptop-Case—Quinley-Leather-569403.html>.
 Sz-Wholesale, Options 600D, Update time listed as Aug. 23, 2010. http://www.sz-wholesale.com/shenzhen_China_products/Portfolio-Bag_1/.htm.
 Amazon, “Tumi Alpha Slim Messenger Shoulder Bag, Black, One Size”, First question asked dated Dec. 5, 2017. (<https://www.amazon.com/Tumi-Alpha-Messenger-Shoulder-Black/dp/B01N7R514C>) (Year: 2017).
 Amazon, “Tumi Men’s Alpha Fallon Messenger Bag”, First on sale listed as Jan. 25, 2018. (<https://www.amazon.com/Tumi-Alpha-Bravo-Fallon-Messenger/dp/B078211G2B>) (Year: 2018).
 Waterfield, “Maverick Leather Laptop Messenger RBAG”, Embedded youtube video showing product dated Jan. 24, 2017. (<https://www.sfbags.com/products/maverick-leather-laptop-messenger-bag>) (Year: 2017).
 Amazon, “TUMI—Alpha Bravo Albany Laptop Slim Commuter Brief Briefcase—14 Inch Computer Bag for Men and Women—Black”, First reviewed Oct. 12, 2015. (<https://www.amazon.com/TUMI-Albany-Commuter-Briefcase-Computer/dp/B0782119M6>) (Year: 2015).
 Amazon, “BOSTANTEN Leather Briefcase Messenger Business Bags . . .”, First reviewed Sep. 14, 2018. (<https://www.amazon.com/d/B07F9PRK2J/>) (Year 2018).

* cited by examiner



FIG. 1



FIG. 2



FIG. 3

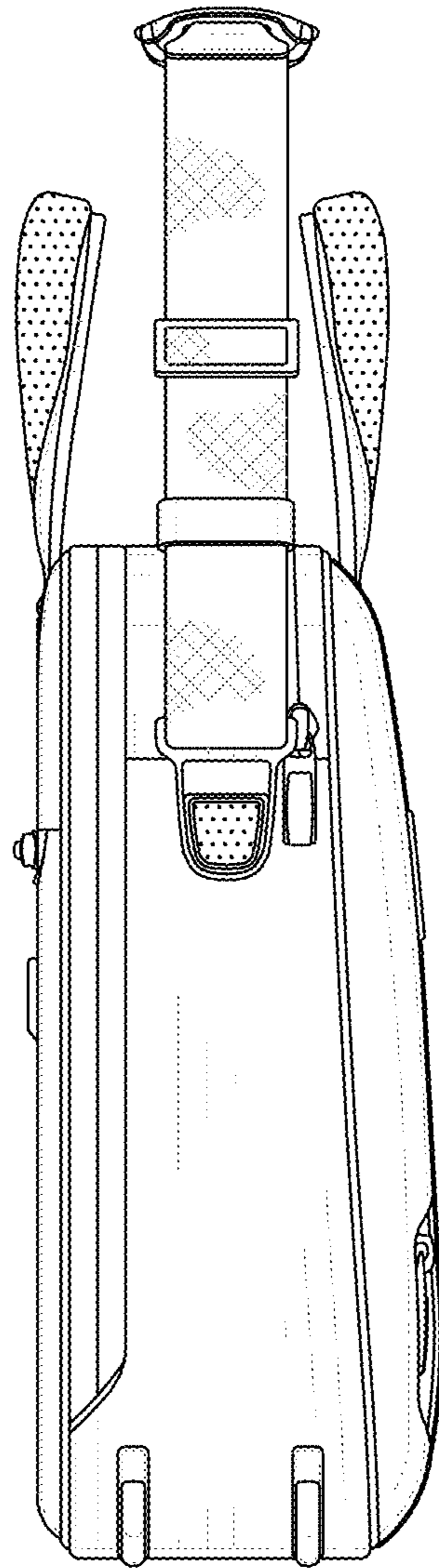


FIG. 4

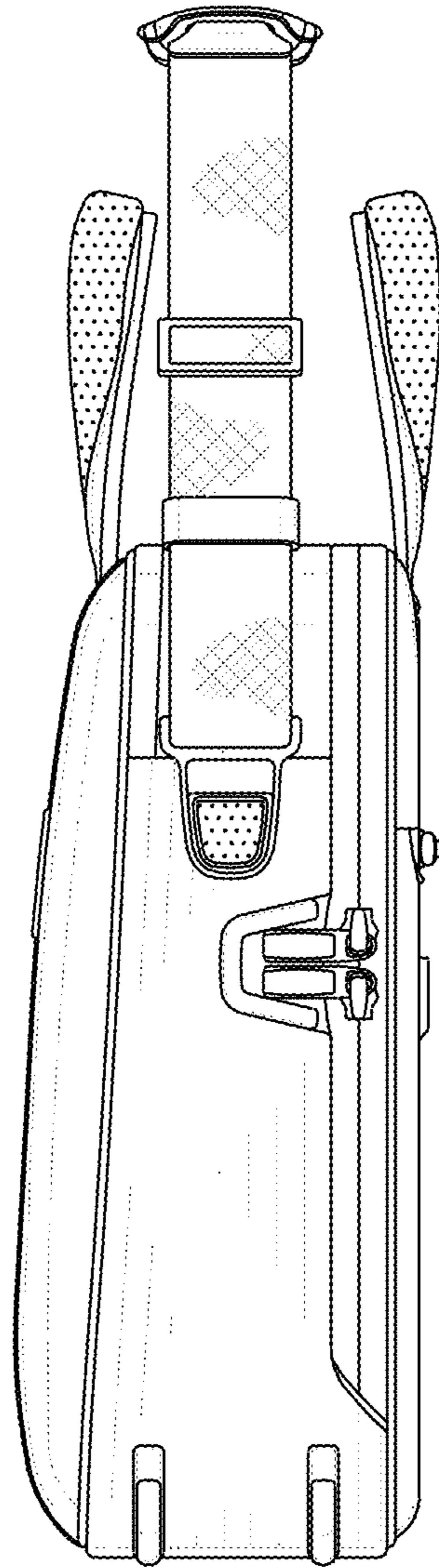


FIG. 5

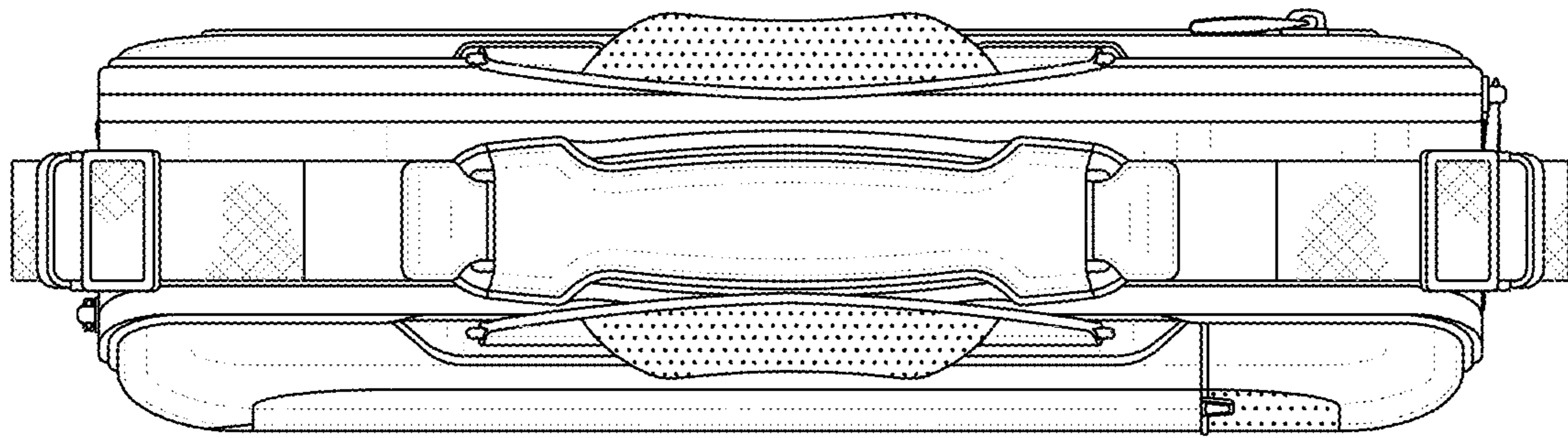


FIG. 6

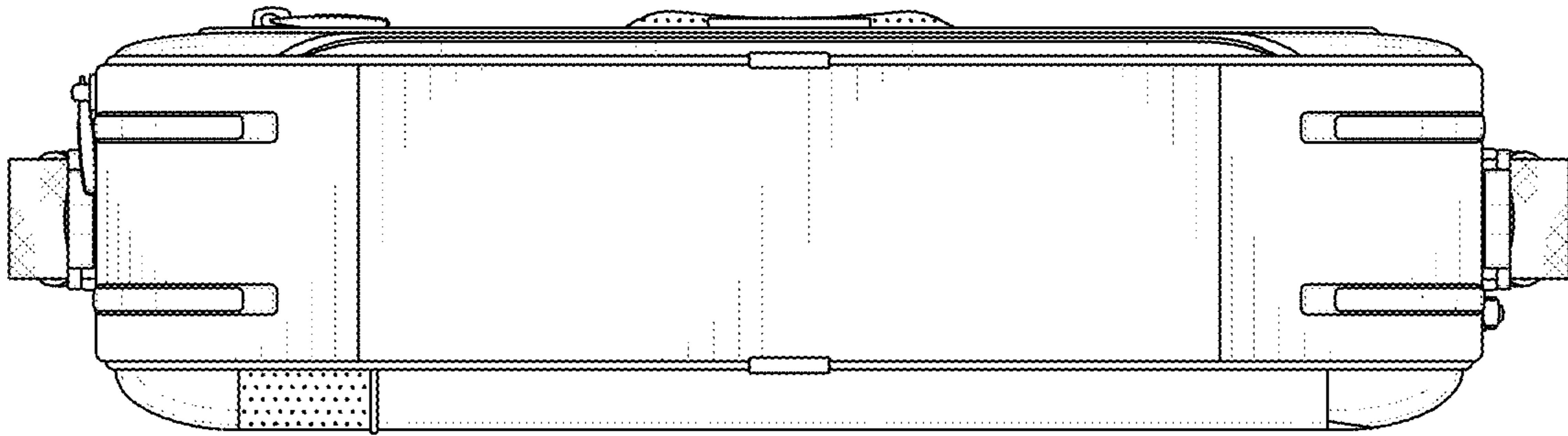


FIG. 7

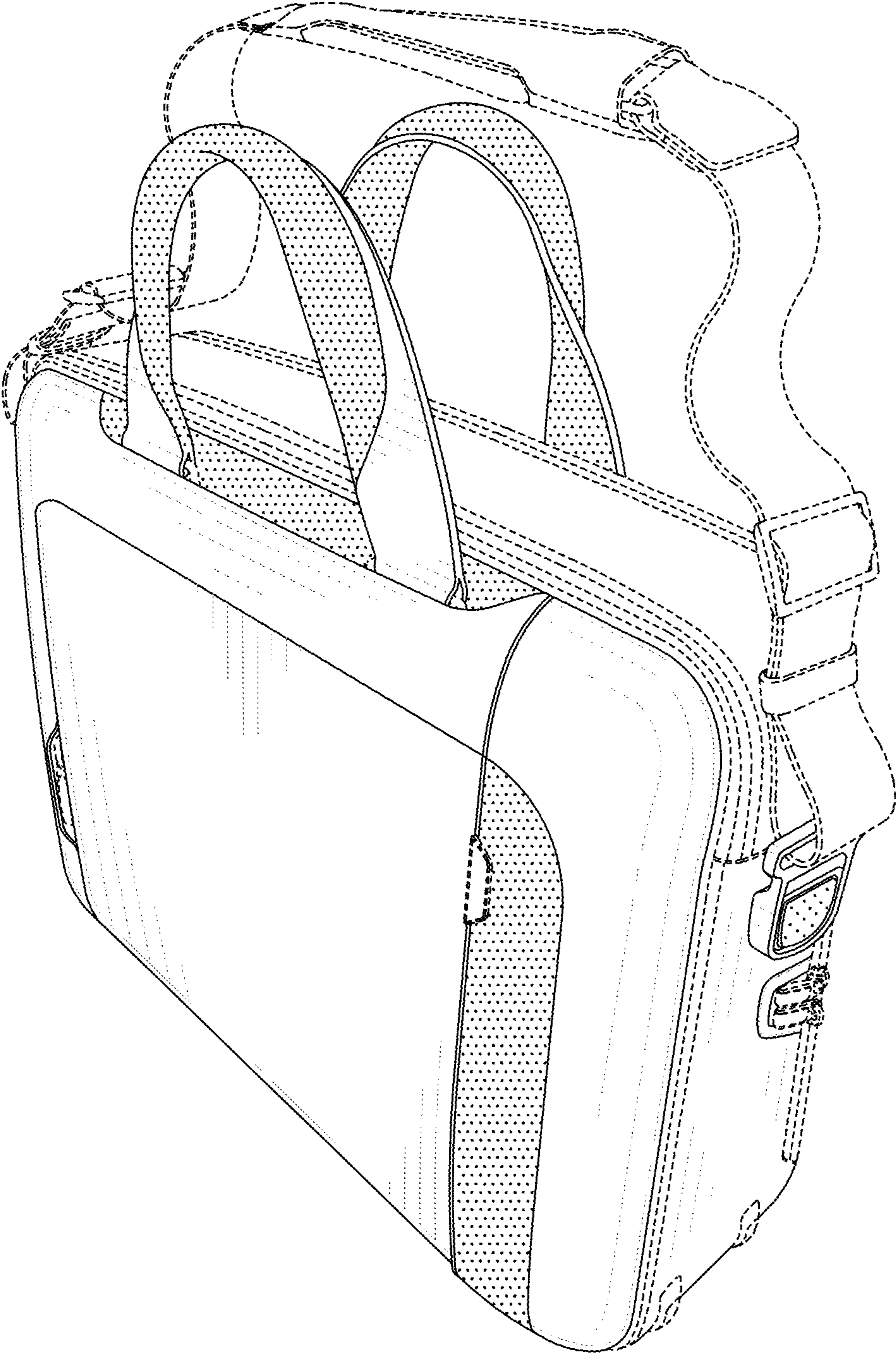


FIG. 8

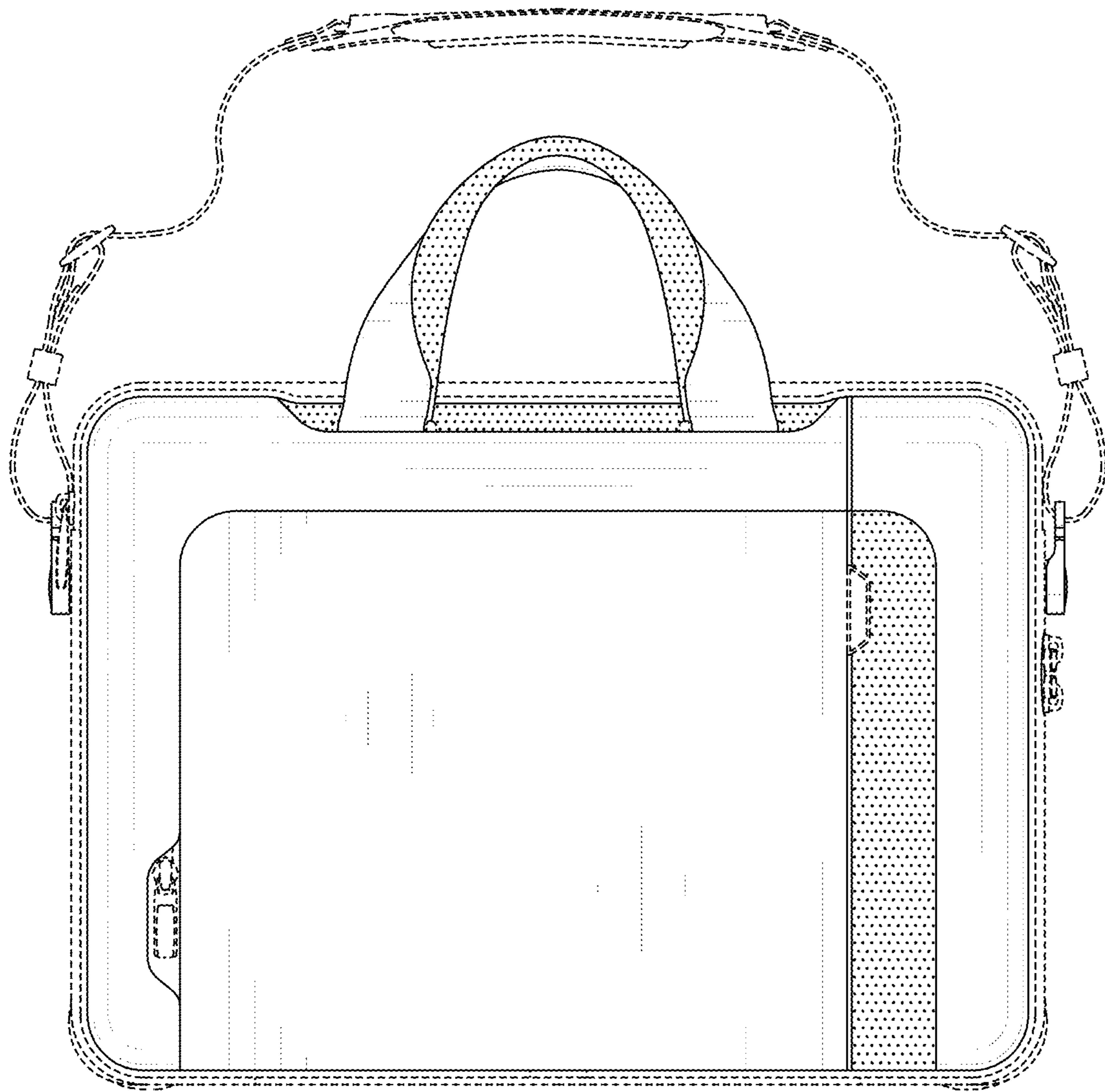


FIG. 9



FIG. 10

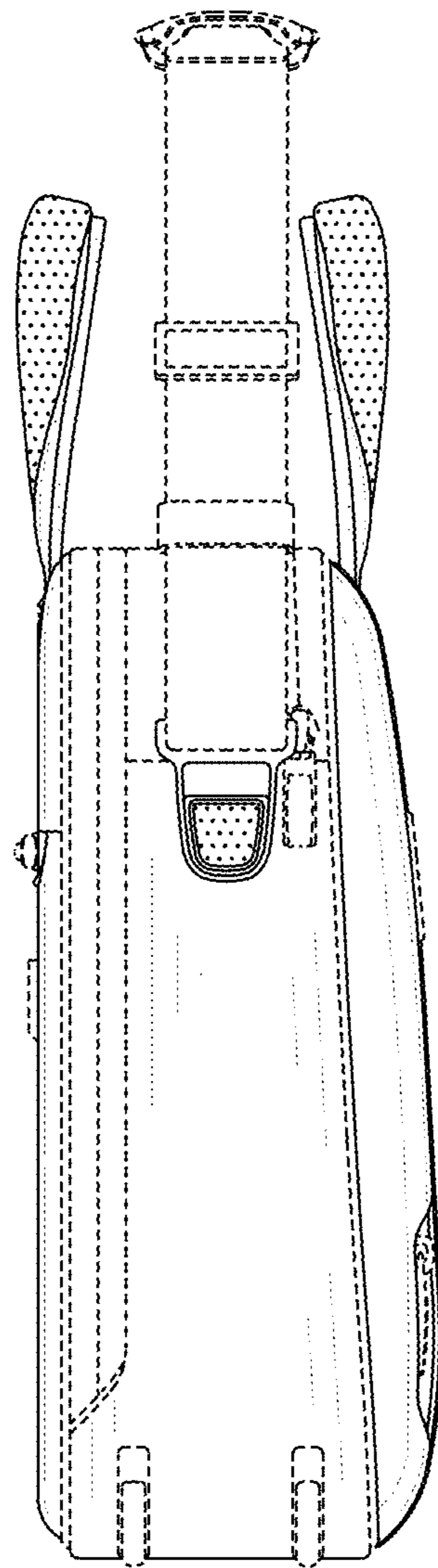


FIG. 11

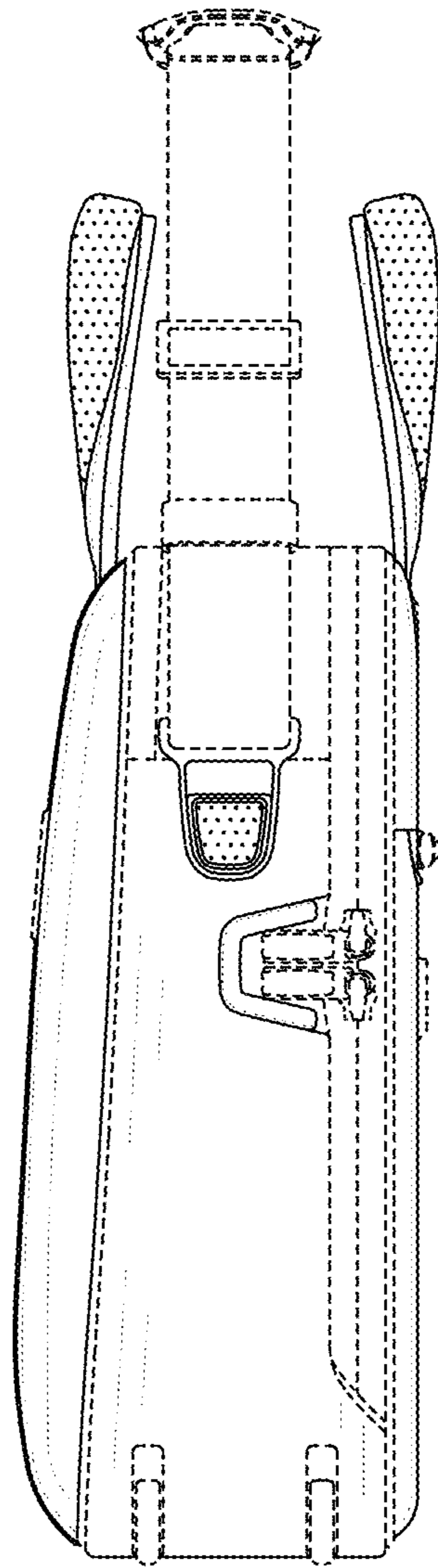


FIG. 12

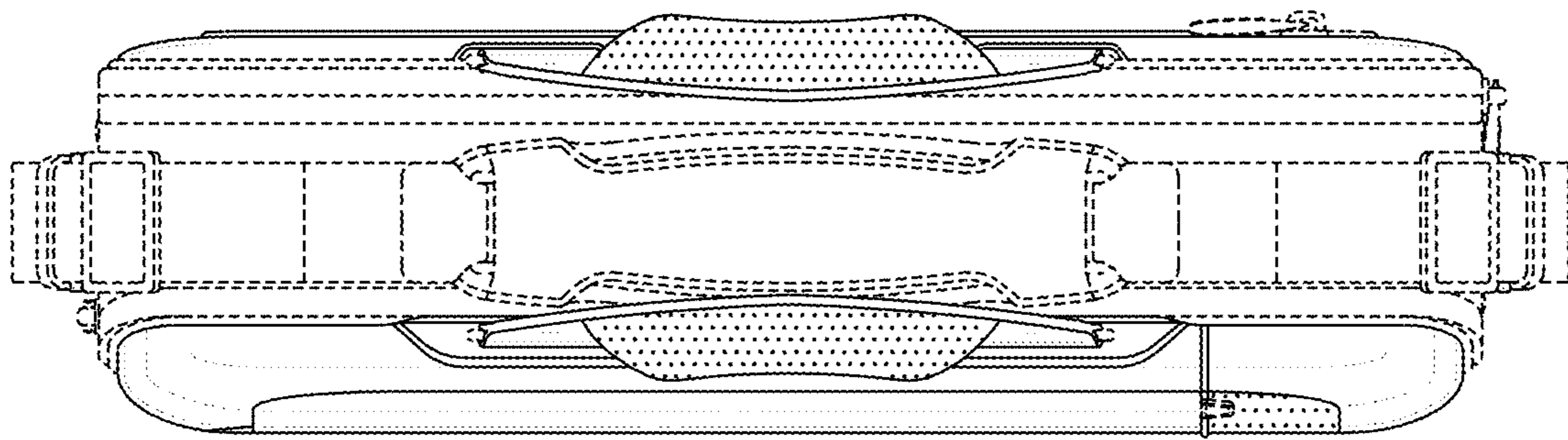


FIG. 13

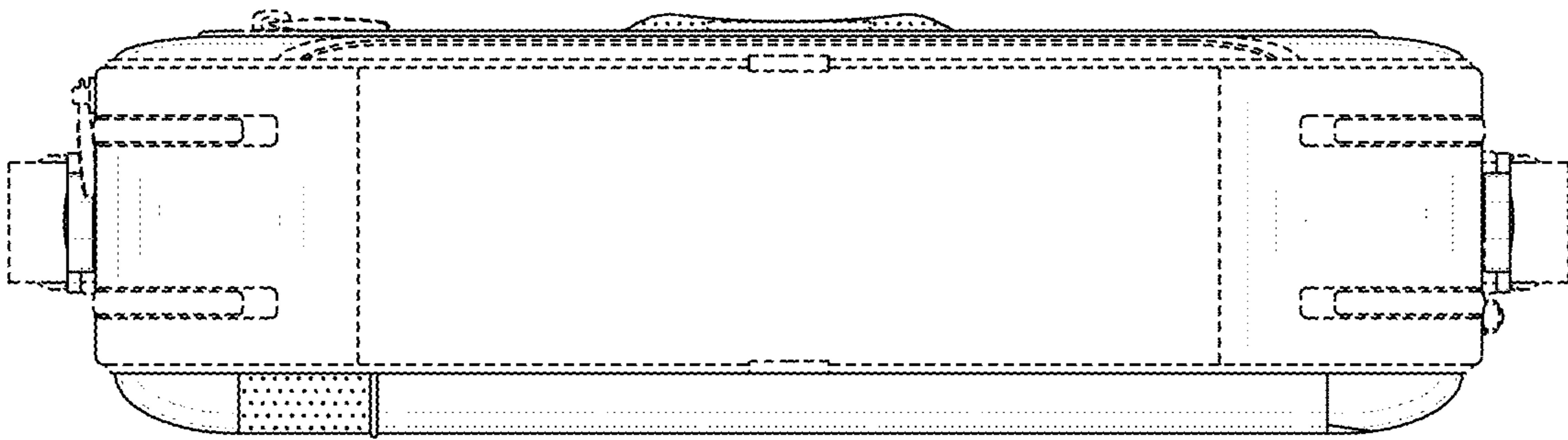


FIG. 14