



US00D906671S

(12) **United States Design Patent** (10) **Patent No.:** **US D906,671 S**
McCullagh (45) **Date of Patent:** **** Jan. 5, 2021**

(54) **GARMENT DUFFLE BAG**

(71) Applicant: **Goldman Sachs & Co., LLC**, New York, NY (US)

(72) Inventor: **Lisa McCullagh**, Pleasantville, NY (US)

(73) Assignee: **GOLDMAN SACHS & CO., LLC**, New York, NY (US)

(**) Term: **15 Years**

(21) Appl. No.: **29/684,130**

(22) Filed: **Mar. 19, 2019**

(51) **LOC (13) Cl.** **03-01**

(52) **U.S. Cl.**
 USPC **D3/278; D3/285; D3/902**

(58) **Field of Classification Search**
 USPC D3/273, 276, 278, 283, 284, 285, 289,
 D3/290, 301, 900, 243, 245, 217, 239,
 D3/240, 246, 902
 CPC .. A45C 11/20; A45C 1/02; A45C 3/04; A45C
 5/005; A45C 3/004
 See application file for complete search history.

2006/0266603 A1* 11/2006 Godshaw A45C 3/004
 190/108
 2019/0021464 A1* 1/2019 Burgwyn A45C 3/004
 2019/0307215 A1* 10/2019 Sharp A45C 3/004

OTHER PUBLICATIONS

Twitter, Post by @Flywheel on Dec. 5, 2013. (<https://twitter.com/Flywheel/status/408624225214558208>) (Year: 2013).*

Mark and Graham, "Commuter 2-in-1 Garment Bag", Cached on Apr. 10, 2019. (<https://www.markandgraham.com/products/monogrammed-commuter-overnight-garment-bag/>)(<https://web.archive.org/web/20190410140636/https://www.markandgraham.com/products/monogrammed-commuter-overnight-garment-bag/>) (Year: 2019).*

* cited by examiner

Primary Examiner — April Rivas
 (74) *Attorney, Agent, or Firm* — Jackson Walker LLP

(57) **CLAIM**

The ornamental design for a garment duffle bag, as shown and described.

DESCRIPTION

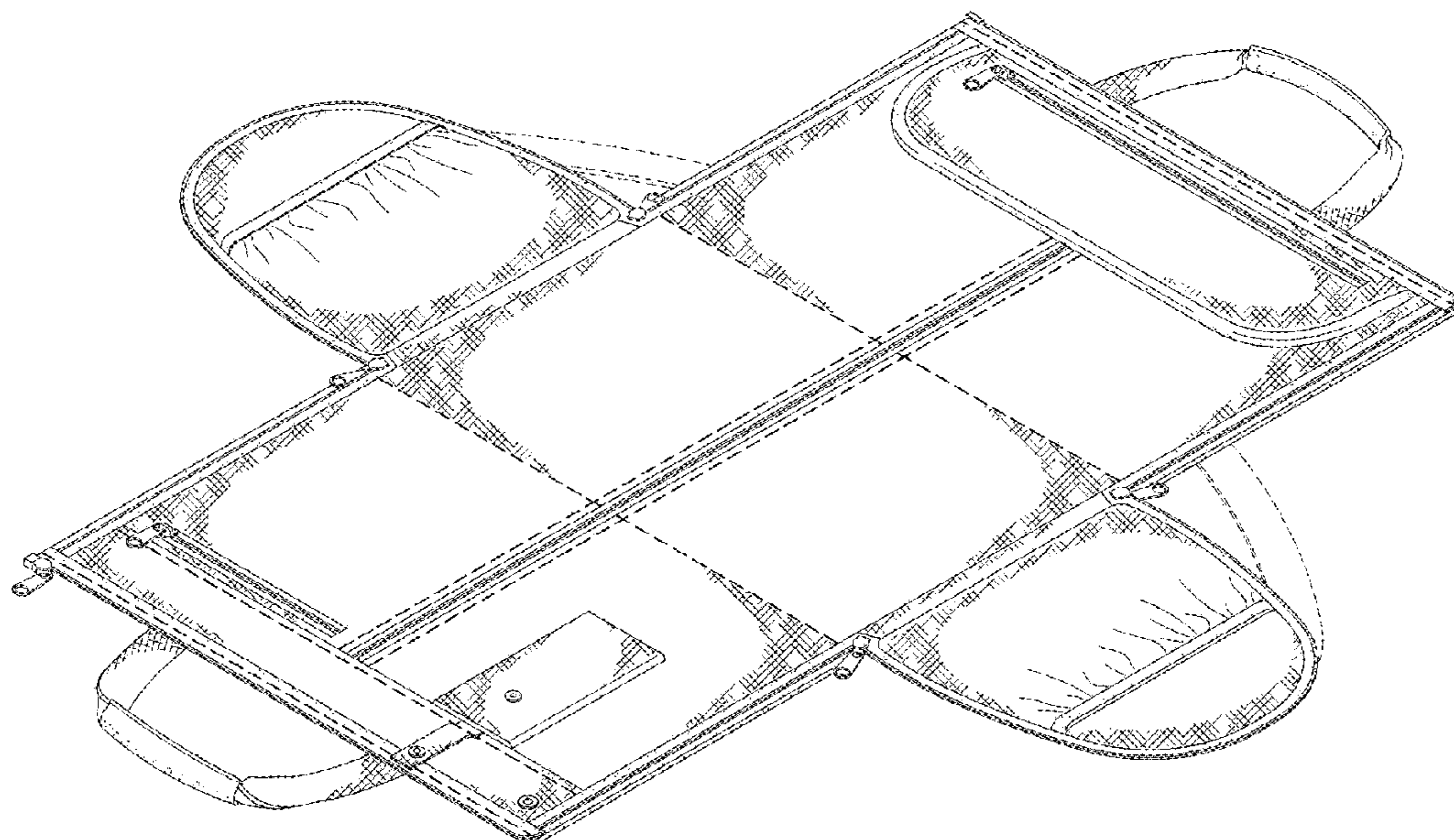
FIG. 1 is a front perspective view of a design of a garment duffle bag as claimed herein.
 FIG. 2 is a front elevation view thereof.
 FIG. 3 is a rear elevation view thereof.
 FIG. 4 is a right side view thereof.
 FIG. 5 is a left side view thereof.
 FIG. 6 is a top view thereof.
 FIG. 7 is a bottom view thereof; and,
 FIG. 8 is a front perspective view thereof, with the garment duffle bag shown in a closed configuration.
 The short broken lines showing a shoulder strap are for the purposes of illustrating environment and form no part of the claimed design. The long broken lines illustrate stitching and are part of the claimed design.

1 Claim, 6 Drawing Sheets

(56) **References Cited**

U.S. PATENT DOCUMENTS

3,777,862 A * 12/1973 Zipper A45C 3/004
 190/107
 D267,522 S * 1/1983 Stark D3/289
 D328,389 S * 8/1992 Pardo D3/290
 6,334,519 B1 * 1/2002 Tong A45C 3/004
 190/107
 D626,332 S * 11/2010 Guyon D3/245
 D685,184 S * 7/2013 Gerbi D3/245
 D696,862 S * 1/2014 Guyon D3/245
 D698,147 S * 1/2014 Deneve D3/245
 D778,049 S * 2/2017 Kogelnik D3/274



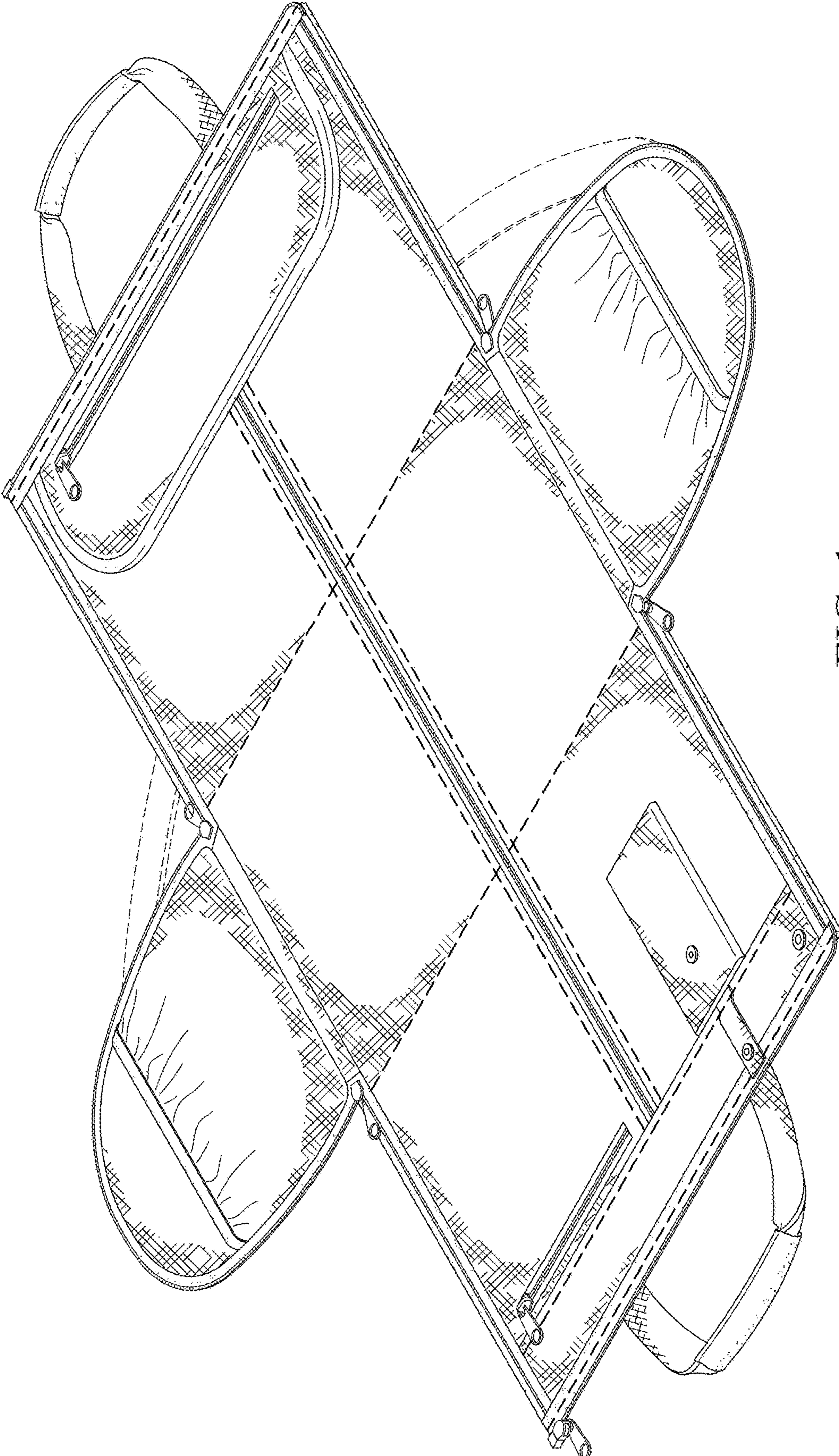


FIG. 1

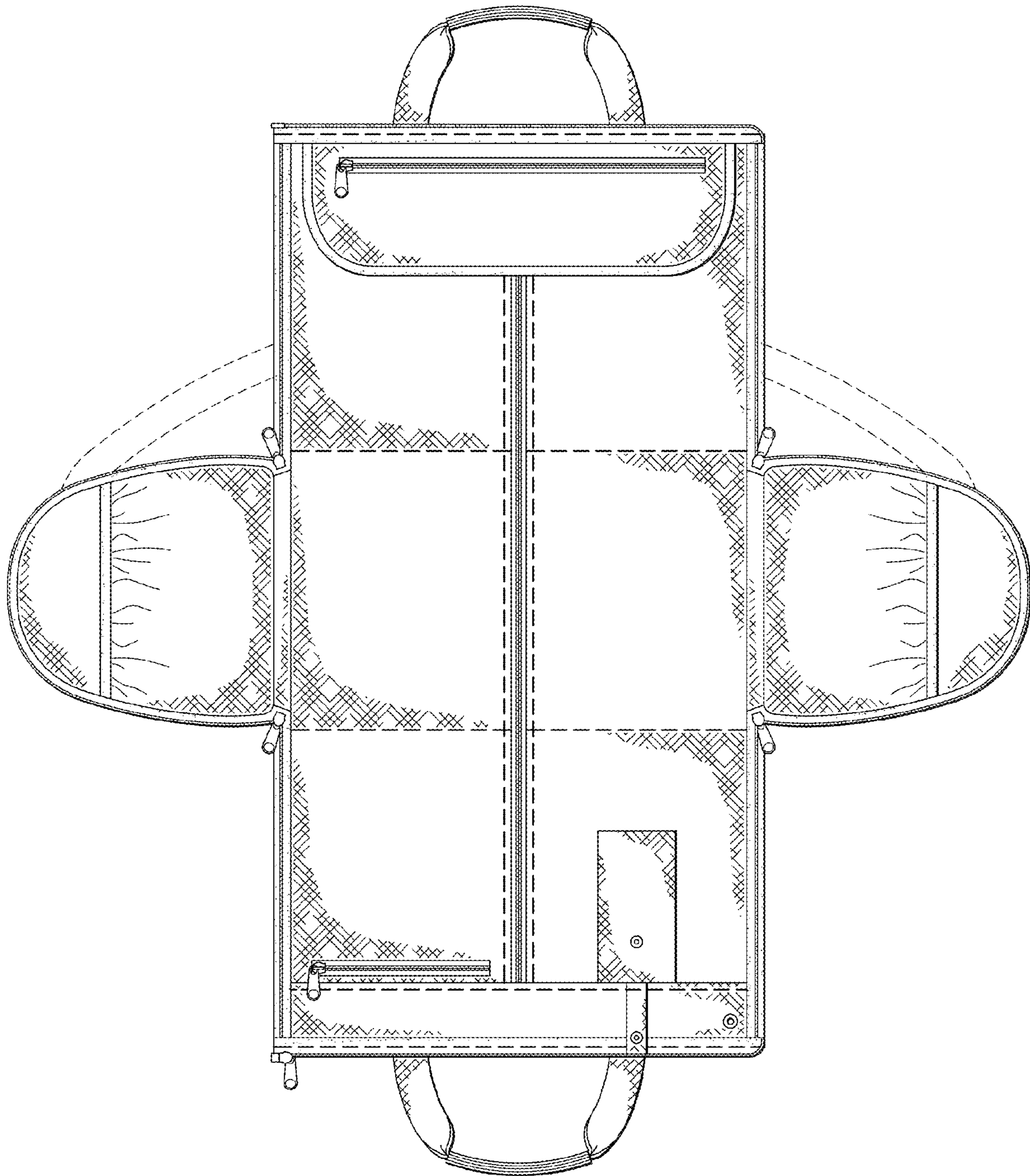


FIG. 2

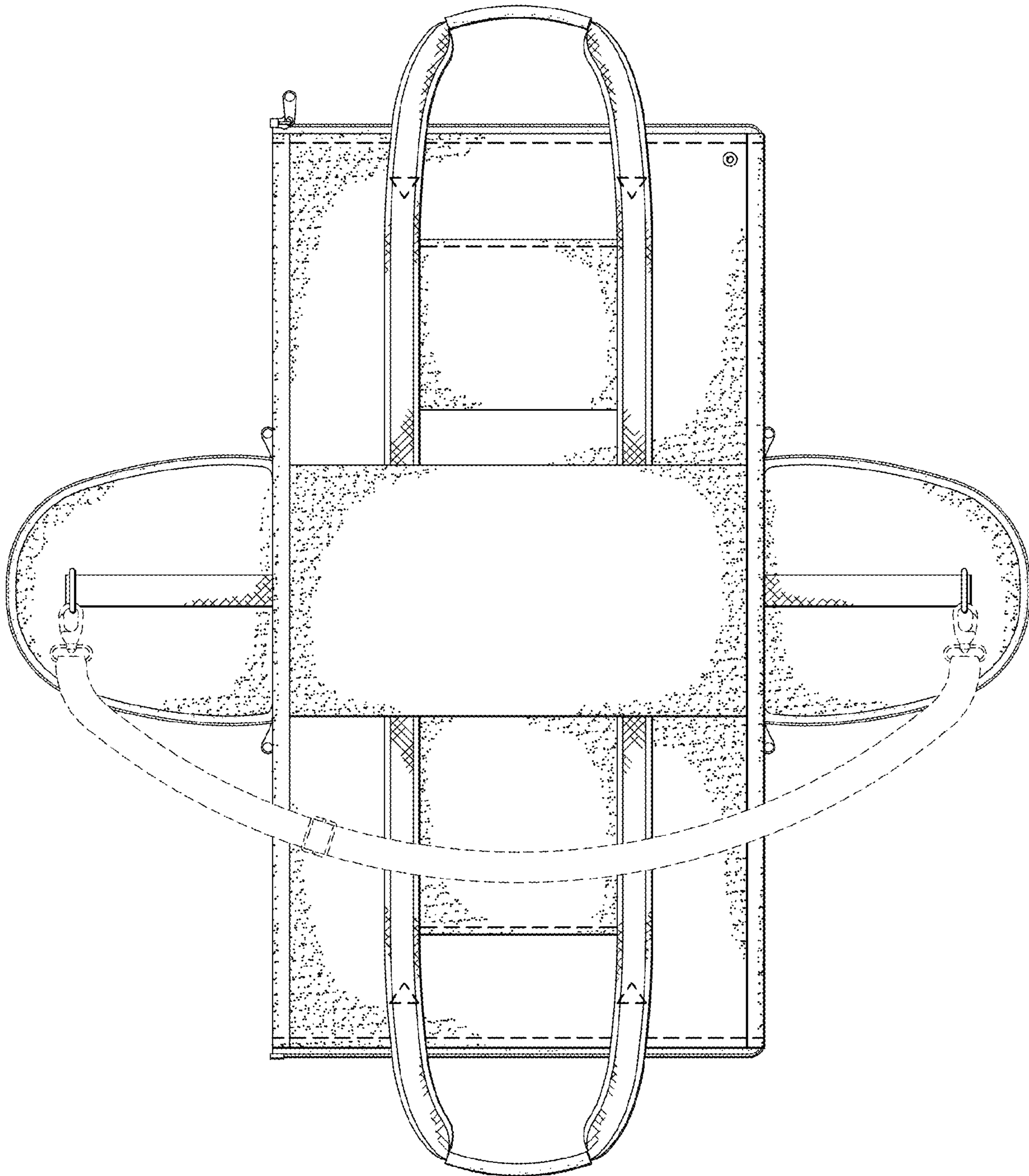


FIG. 3

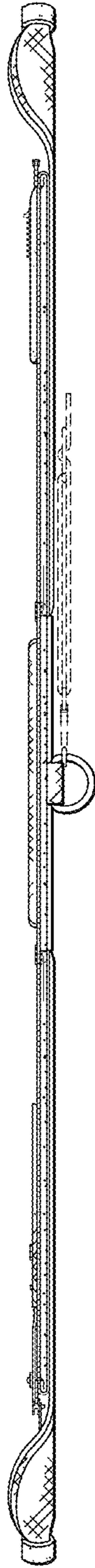


FIG. 4

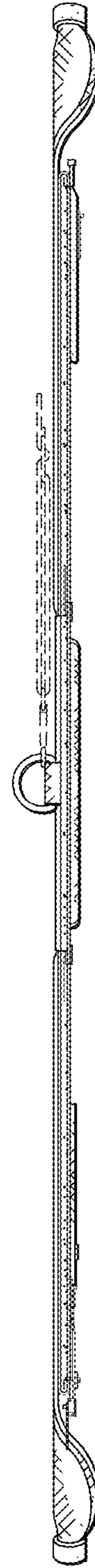


FIG. 5

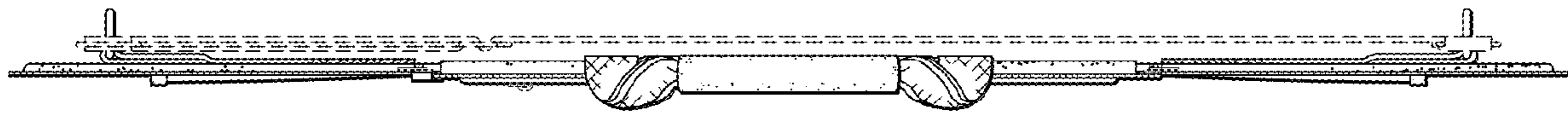


FIG. 6

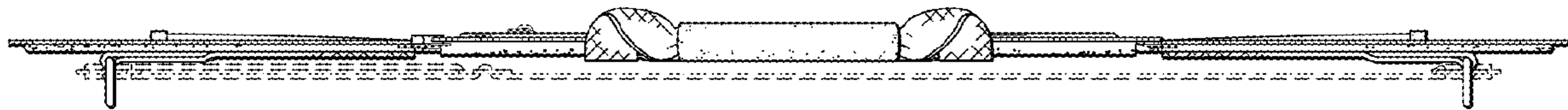


FIG. 7



FIG. 8