



US00D906670S

(12) **United States Design Patent**
Kuhls

(10) **Patent No.:** **US D906,670 S**
(45) **Date of Patent:** **** Jan. 5, 2021**

(54) **STORAGE BOX**

(71) Applicant: **TANOS GmbH Verpacken Ordnen Präsentieren**, Illertissen (DE)

(72) Inventor: **Timo Kuhls**, Stuttgart (DE)

(73) Assignee: **TANOS GMBH VERPACKEN ORDNEN PRÄSENTIEREN**, Illertissen (DE)

(**) Term: **15 Years**

(21) Appl. No.: **29/682,746**

(22) Filed: **Mar. 7, 2019**

(30) **Foreign Application Priority Data**

Sep. 14, 2018 (WO) 8913801

(51) **LOC (13) Cl.** **03-01**

(52) **U.S. Cl.**

USPC **D3/276; D3/905**

(58) **Field of Classification Search**

USPC D3/272, 273, 276, 279, 282, 284, 291, D3/294, 302, 900, 905, 903; D19/106, D19/81, 83

(Continued)

(56) **References Cited**

U.S. PATENT DOCUMENTS

D627,967 S 11/2010 Kuhls
8,590,704 B2* 11/2013 Koenig B65D 45/20
206/508

(Continued)

FOREIGN PATENT DOCUMENTS

WO DM/072 788 12/2009
WO DM/087 078 7/2015

OTHER PUBLICATIONS

Facebook, “@Festool User Photo Post”, Posted on Nov. 28, 2019. (<https://www.facebook.com/Festool/posts/2757665594320642/>) (Year: 2019).*

(Continued)

Primary Examiner — April Rivas

(74) *Attorney, Agent, or Firm* — Hoffmann & Baron, LLP

(57) **CLAIM**

The ornamental design for a storage box, as shown and described.

DESCRIPTION

FIG. 1 is a top perspective view of a storage box showing my new design;

FIG. 2 is a front view thereof;

FIG. 3 is a rear view thereof;

FIG. 4 is a left side view thereof;

FIG. 5 is a right side view thereof;

FIG. 6 is a top plan view thereof;

FIG. 7 is a bottom plan view thereof;

FIG. 8 is a top perspective view of an alternative embodiment of a storage box showing my new design;

FIG. 9 is a front view thereof;

FIG. 10 is a rear view thereof;

FIG. 11 is a left side view thereof;

FIG. 12 is a right side view thereof;

FIG. 13 is a top plan view thereof;

FIG. 14 is a bottom plan view thereof;

FIG. 15 is a top perspective view of another alternative embodiment of a storage box showing my new design;

FIG. 16 is a front view thereof;

FIG. 17 is a rear view thereof;

FIG. 18 is a left side view thereof;

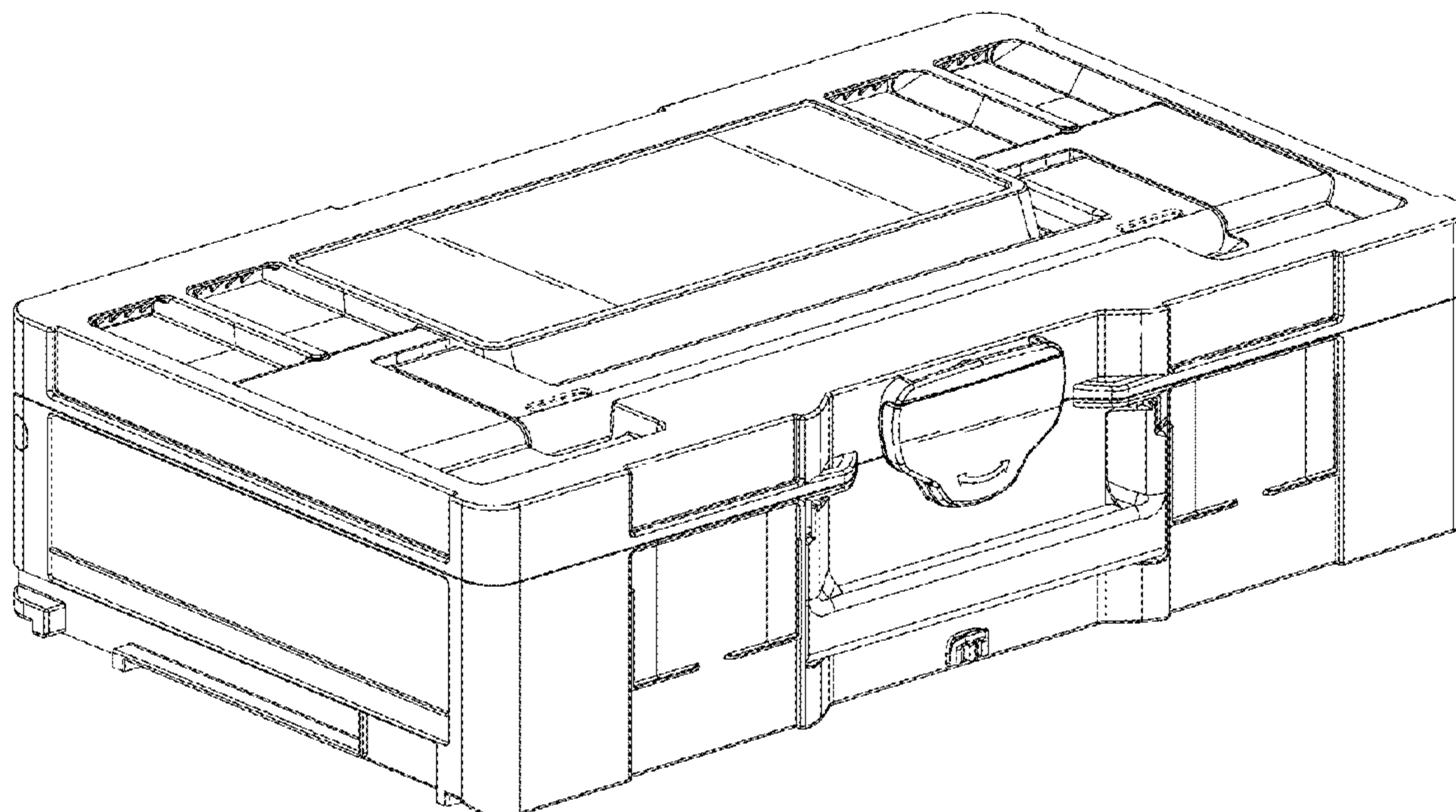
FIG. 19 is a right side view thereof;

FIG. 20 is a top plan view thereof; and,

FIG. 21 is a bottom plan view thereof.

The broken lines are included for illustrating portions of the storage box and form no part of the claimed design.

1 Claim, 21 Drawing Sheets



(58) **Field of Classification Search**

CPC B25H 3/02

See application file for complete search history.

D882,952 S * 5/2020 Austin D3/294
2011/0155613 A1* 6/2011 Koenig B25H 3/02
206/503
2011/0233096 A1* 9/2011 Michels B25H 3/02
206/459.5

(56)

References Cited

U.S. PATENT DOCUMENTS

D731,183 S 6/2015 Kuhls
D735,995 S * 8/2015 Lin D3/294
D757,435 S * 5/2016 Damberg B25H 3/021
D3/284
D803,561 S 11/2017 Kuhls
10,286,542 B2* 5/2019 Wolle B25H 3/02
10,293,476 B2* 5/2019 Fleischmann B25H 3/02
10,293,477 B2* 5/2019 Wolle B25H 3/02
D873,004 S * 1/2020 Shpitzer D3/276

OTHER PUBLICATIONS

Systainer Catalog, Published Apr. 2015. (https://www.tanos.de/pics/Service/Downloads/Katalog_systainer_20115_DE.pdf) (Year: 2015).*
Amazon, "Festool 204534 Limited Edition Blue Systainer 2", First on sale Nov. 6, 2018. (<https://www.amazon.com/Festool-204534-Limited-Blue-Systainer/dp/B07G9VG8W9>) (Year: 2018).*
Amazon, "Festool 497566 Systainer SYS 4 Tool and Accessory Storage Unit", First on sale Apr. 28, 2011. (<https://www.amazon.com/Festool-Systainer-SYS-Accessory-Storage/dp/B004KR5HPC>) (Year: 2011).*

* cited by examiner

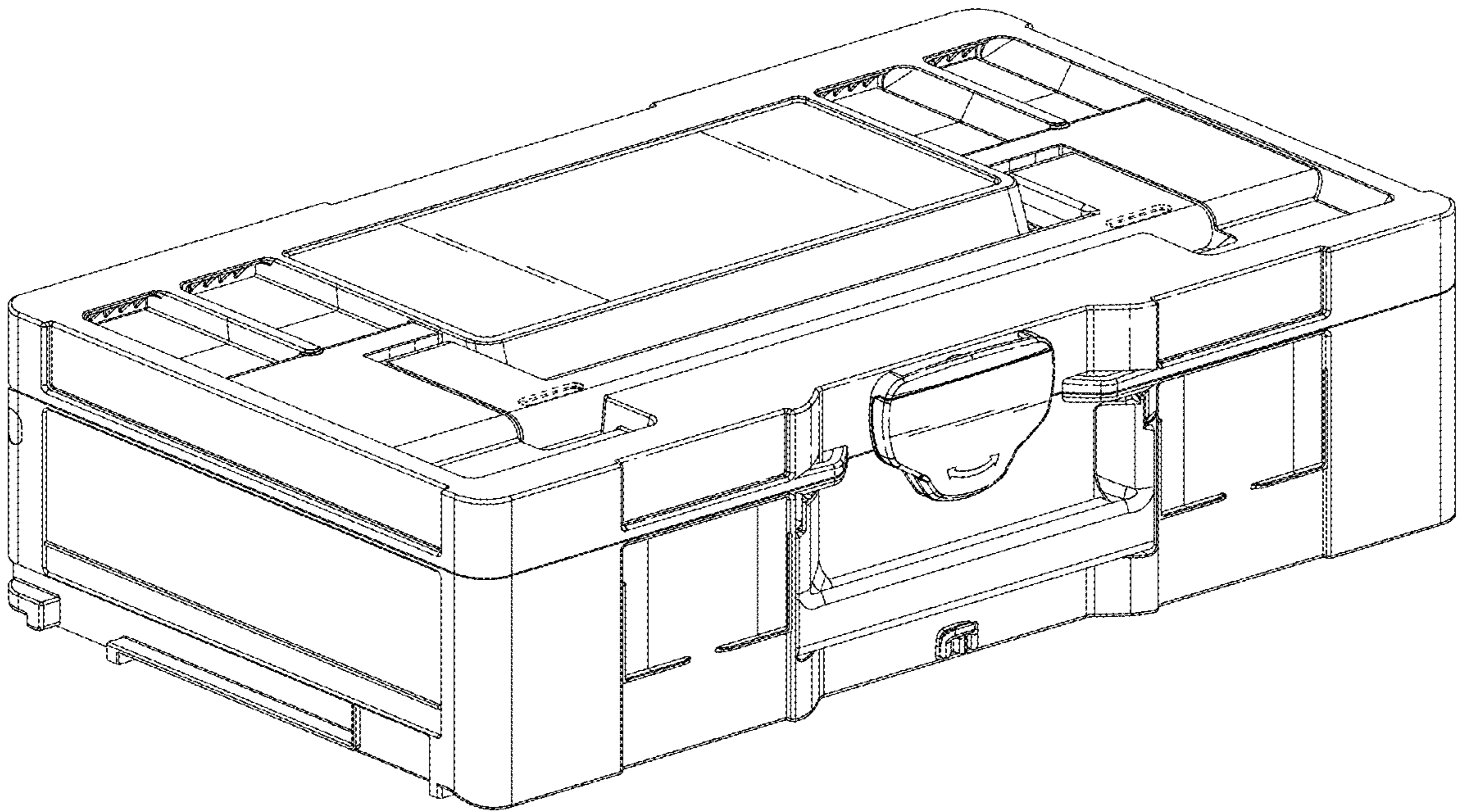


Fig. 1

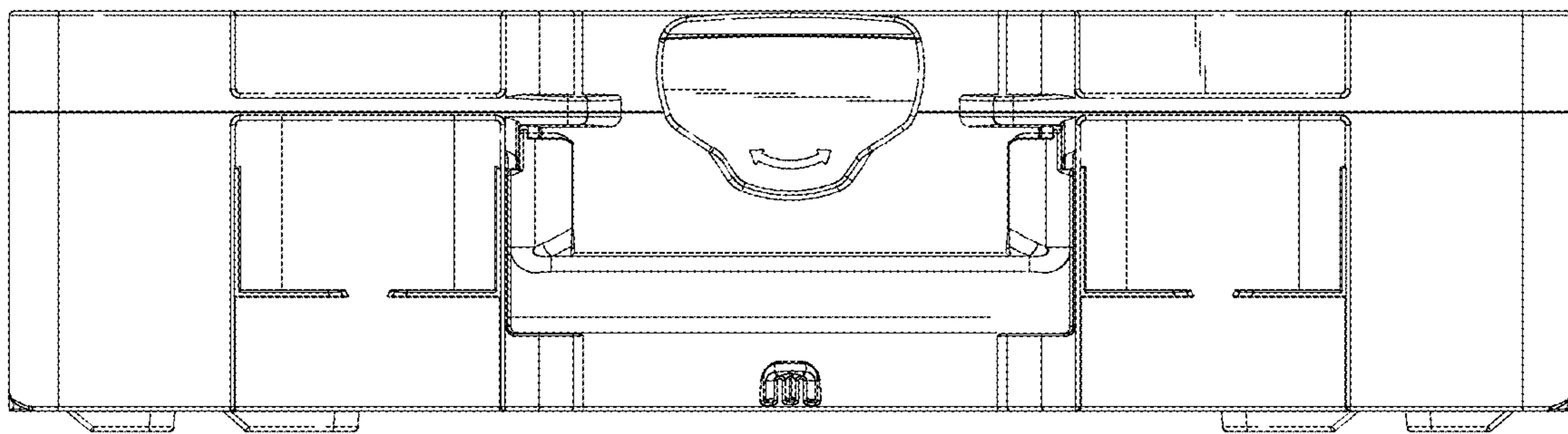


Fig. 2

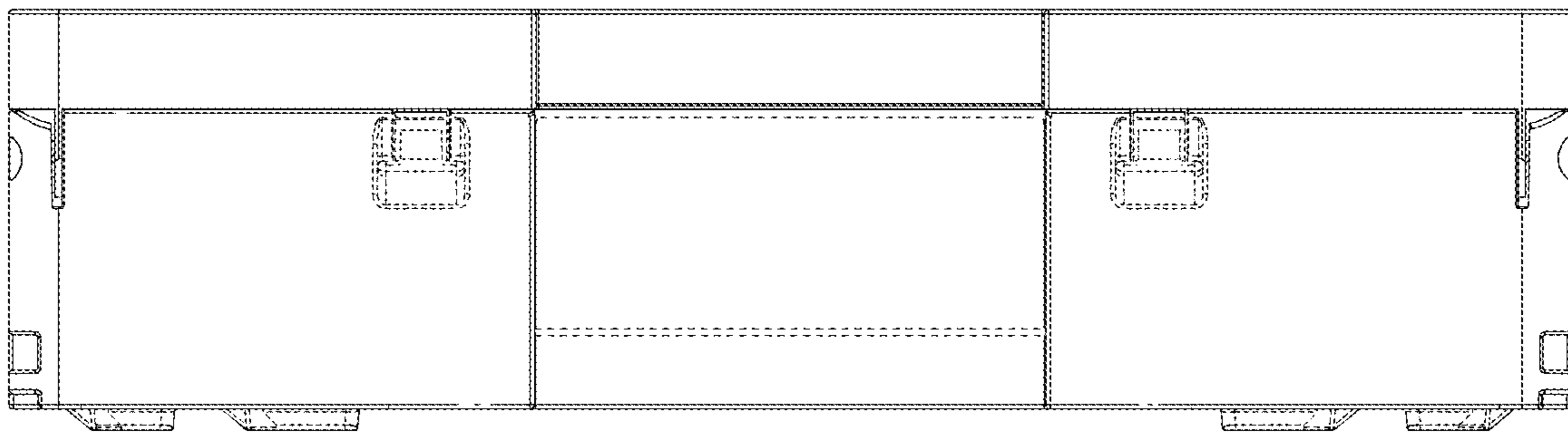


Fig. 3

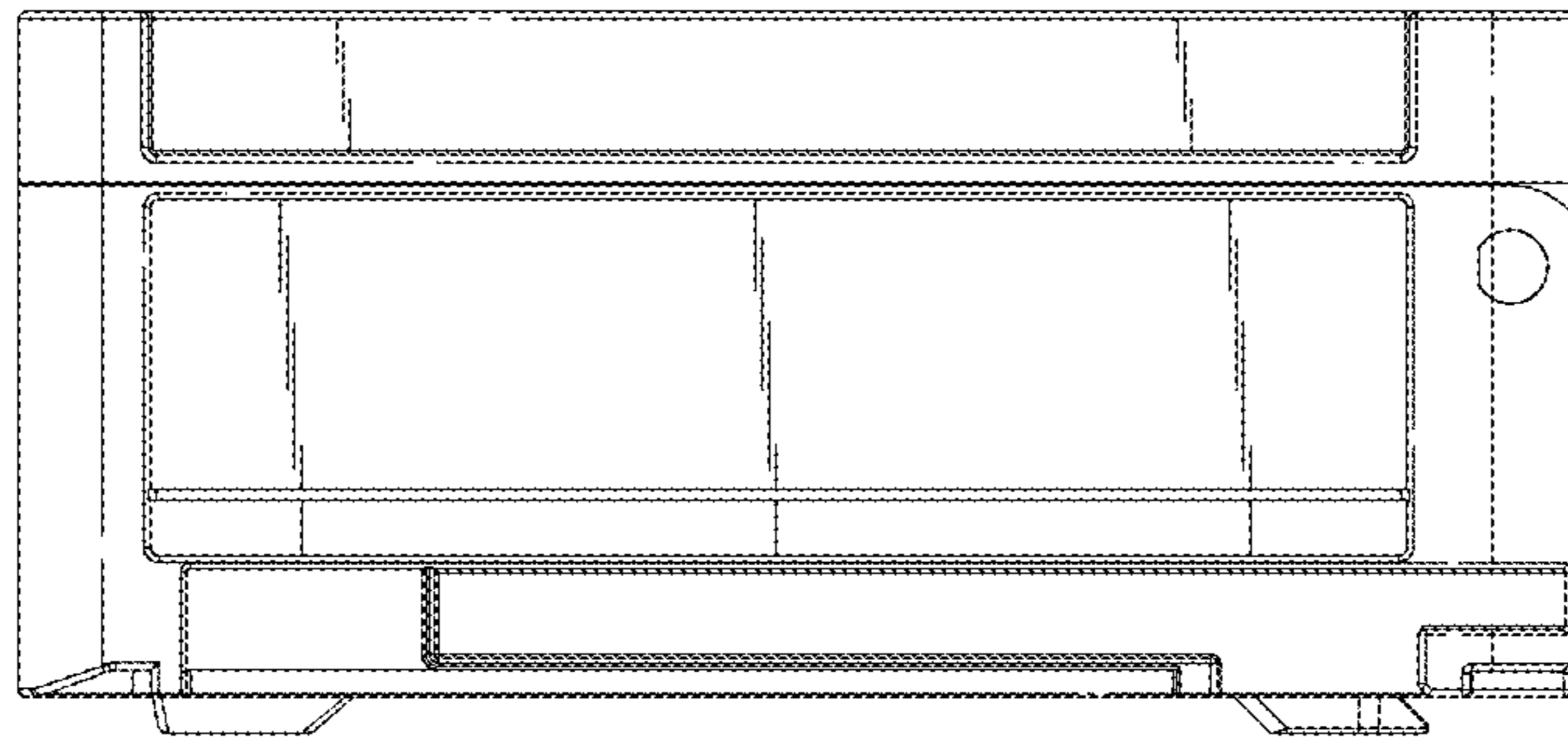


Fig. 4

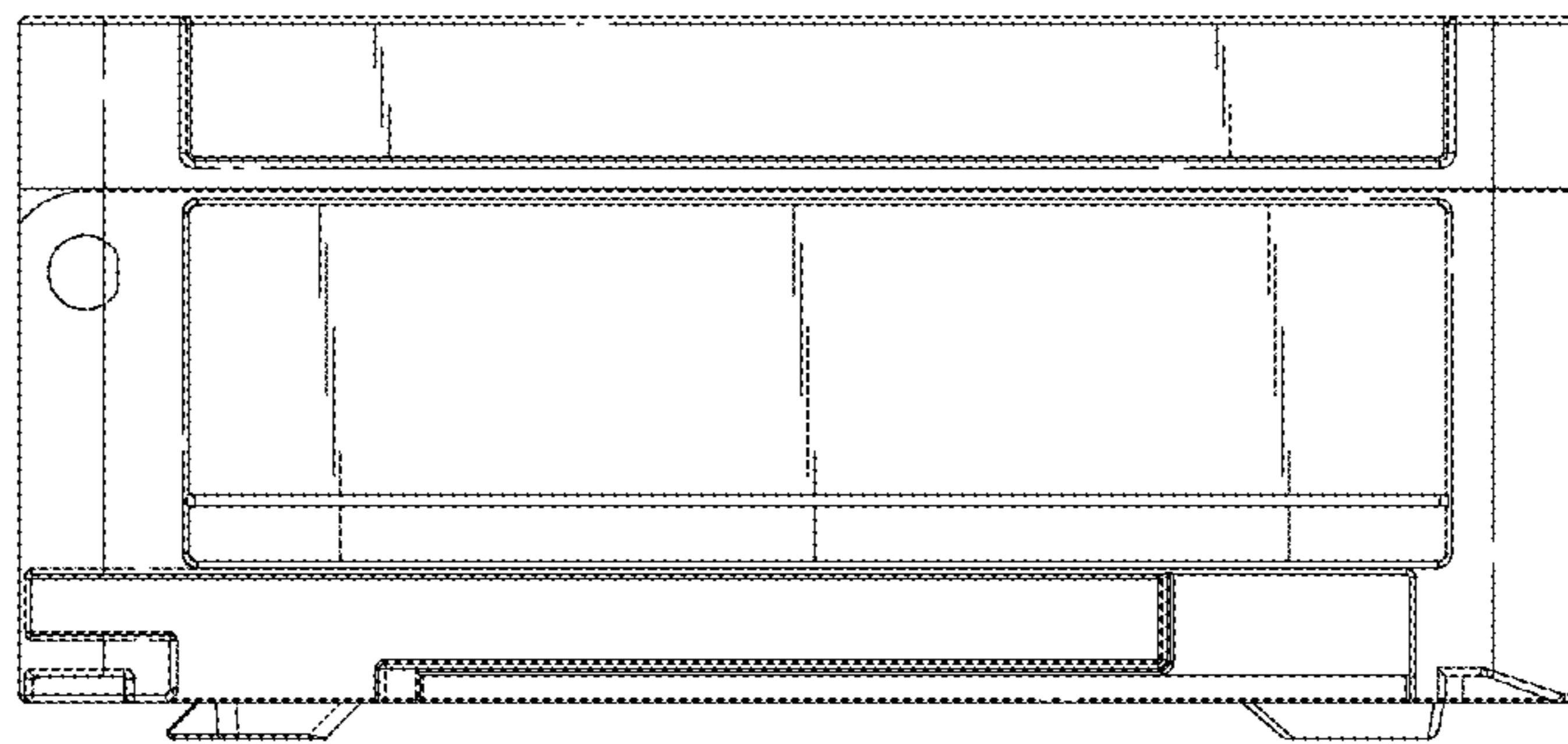


Fig. 5

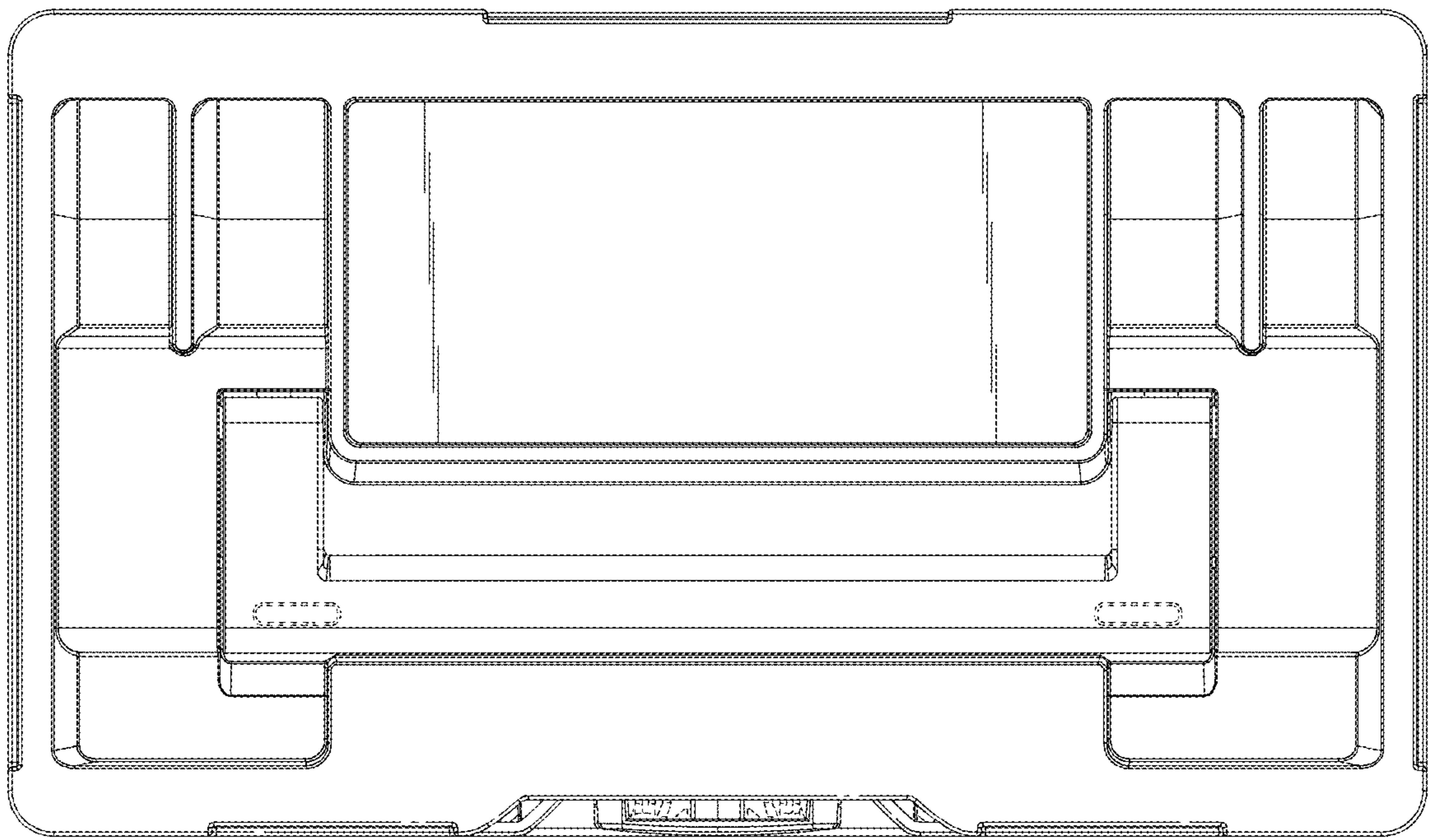


Fig. 6

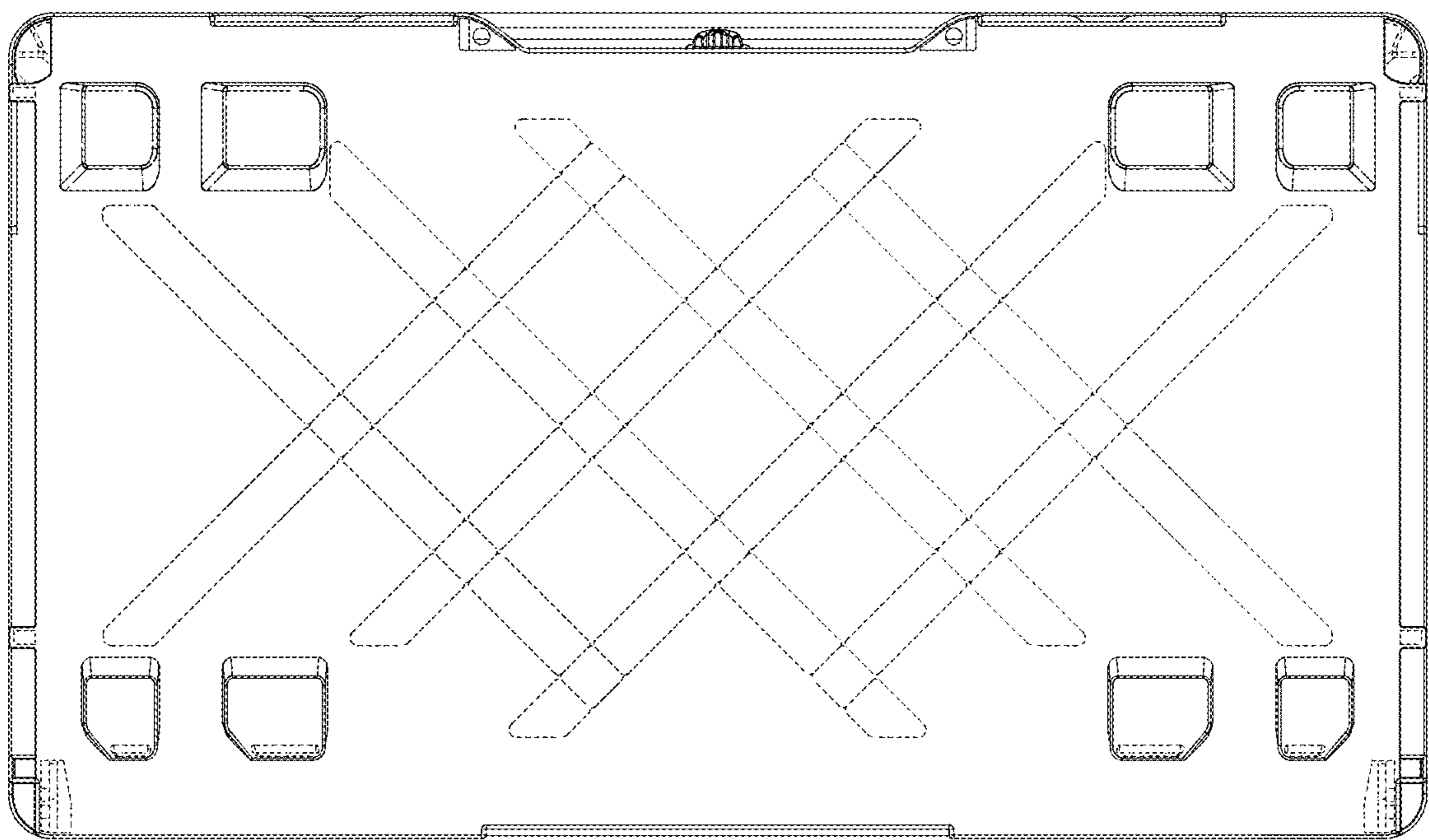


Fig. 7

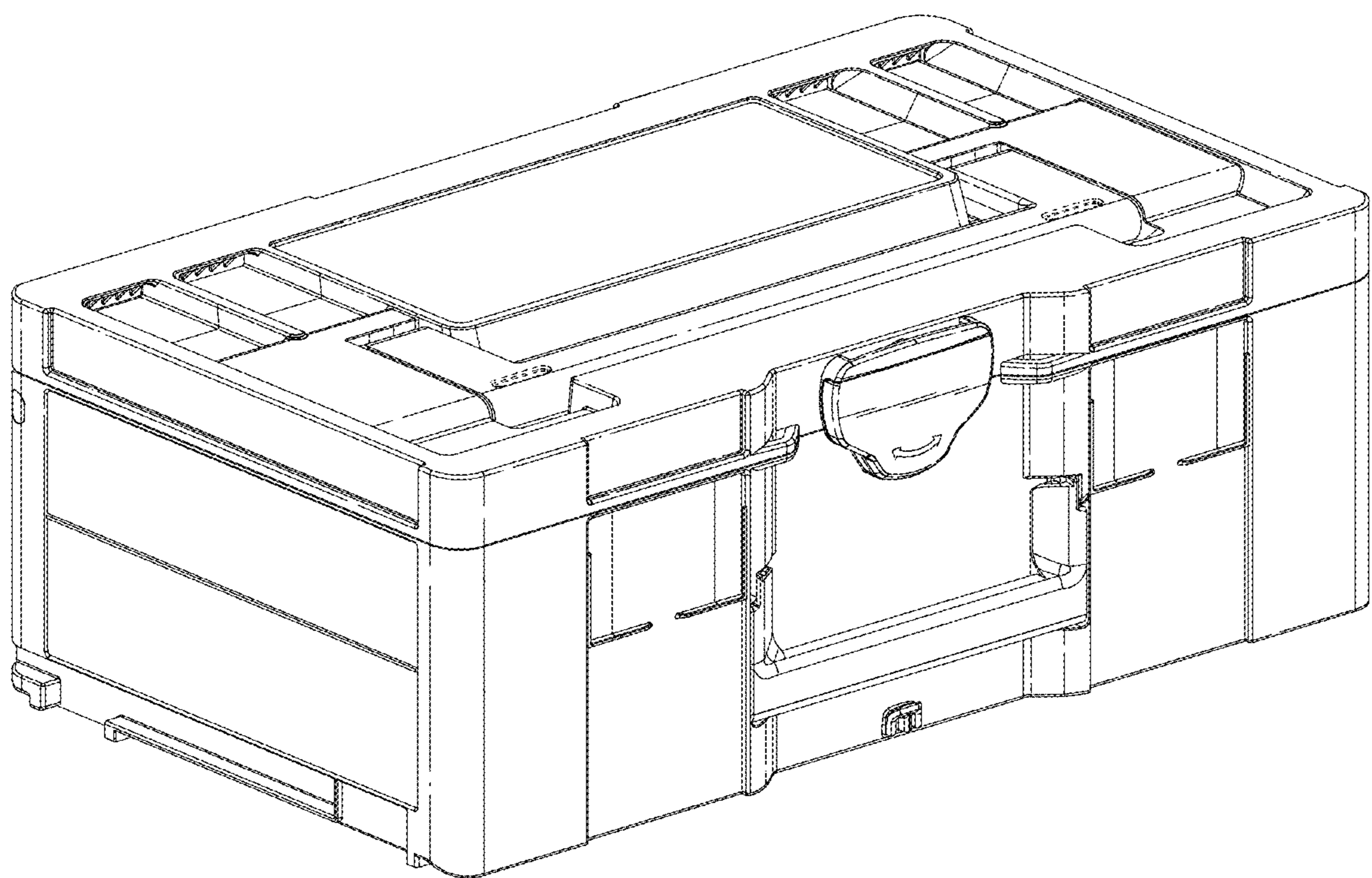


Fig. 8

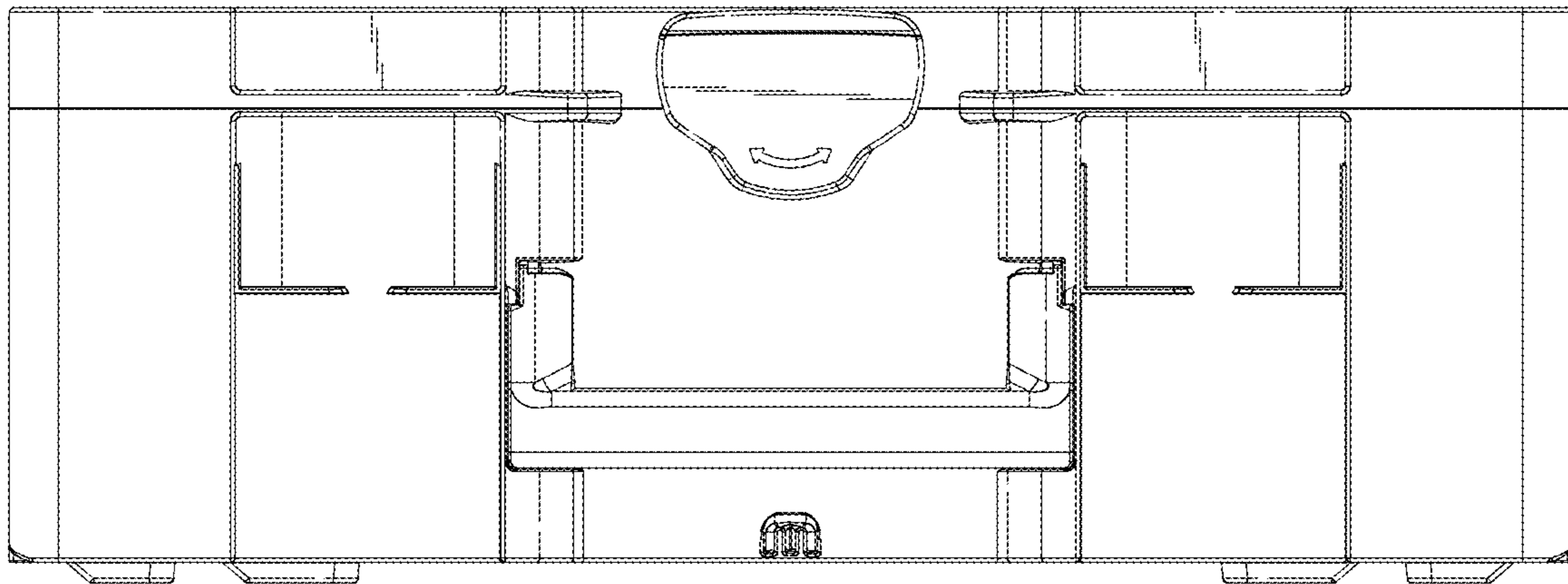


Fig. 9

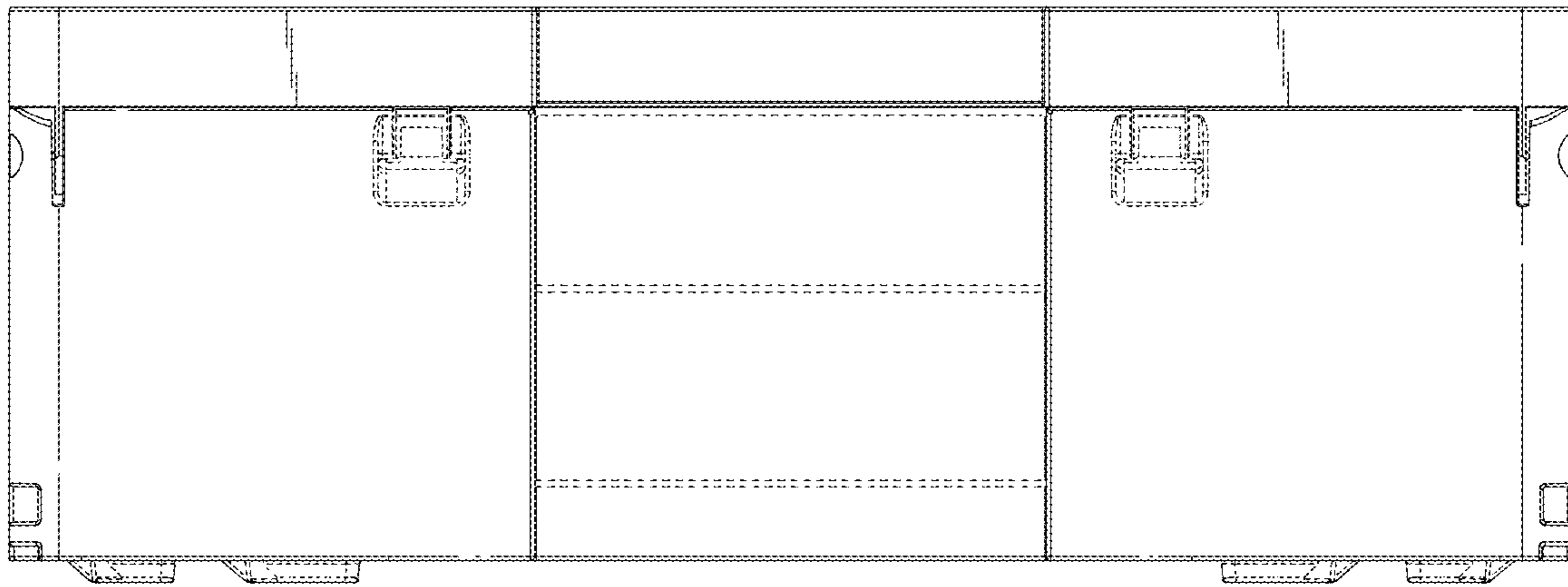


Fig. 10

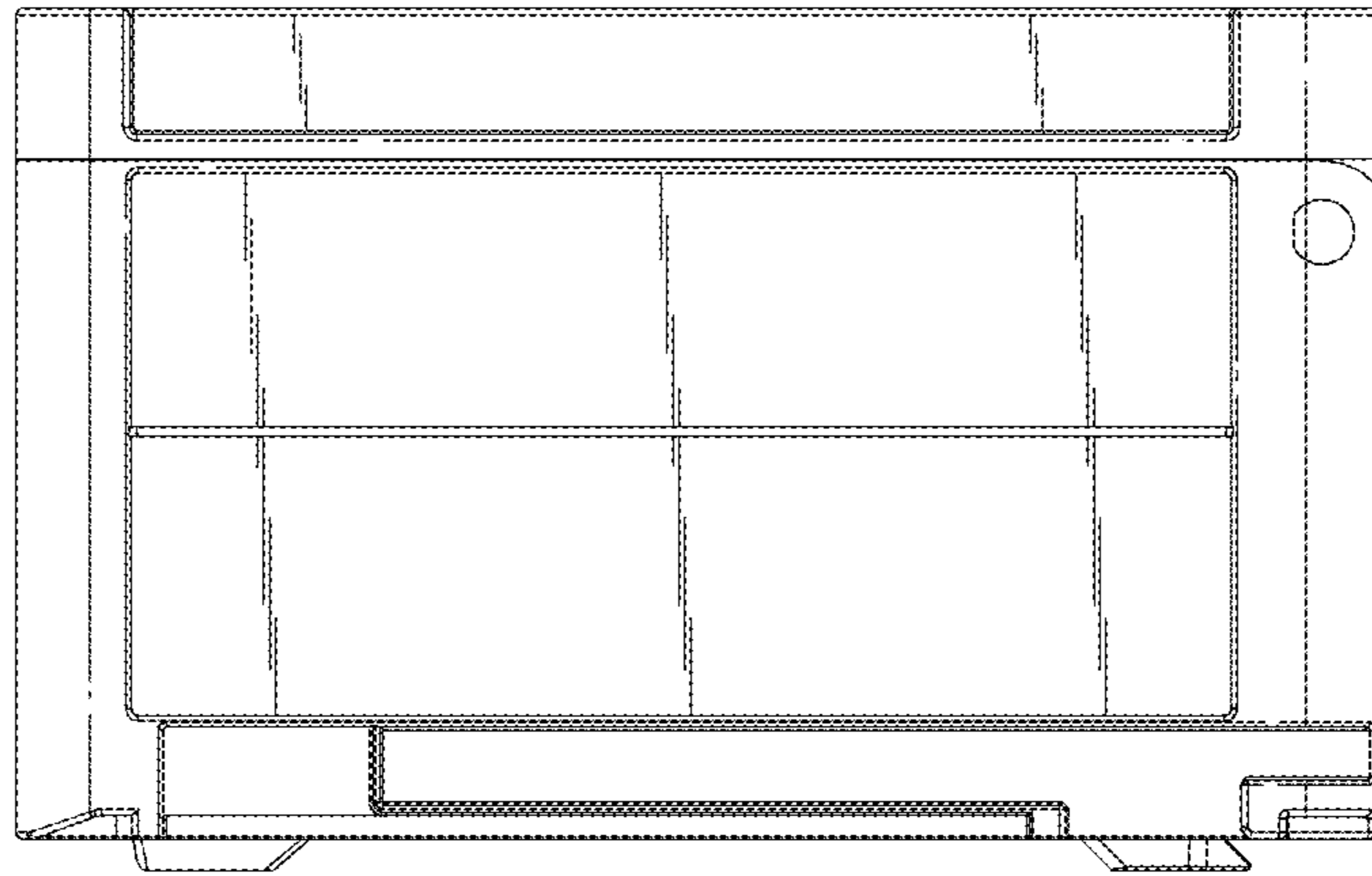


Fig. 11

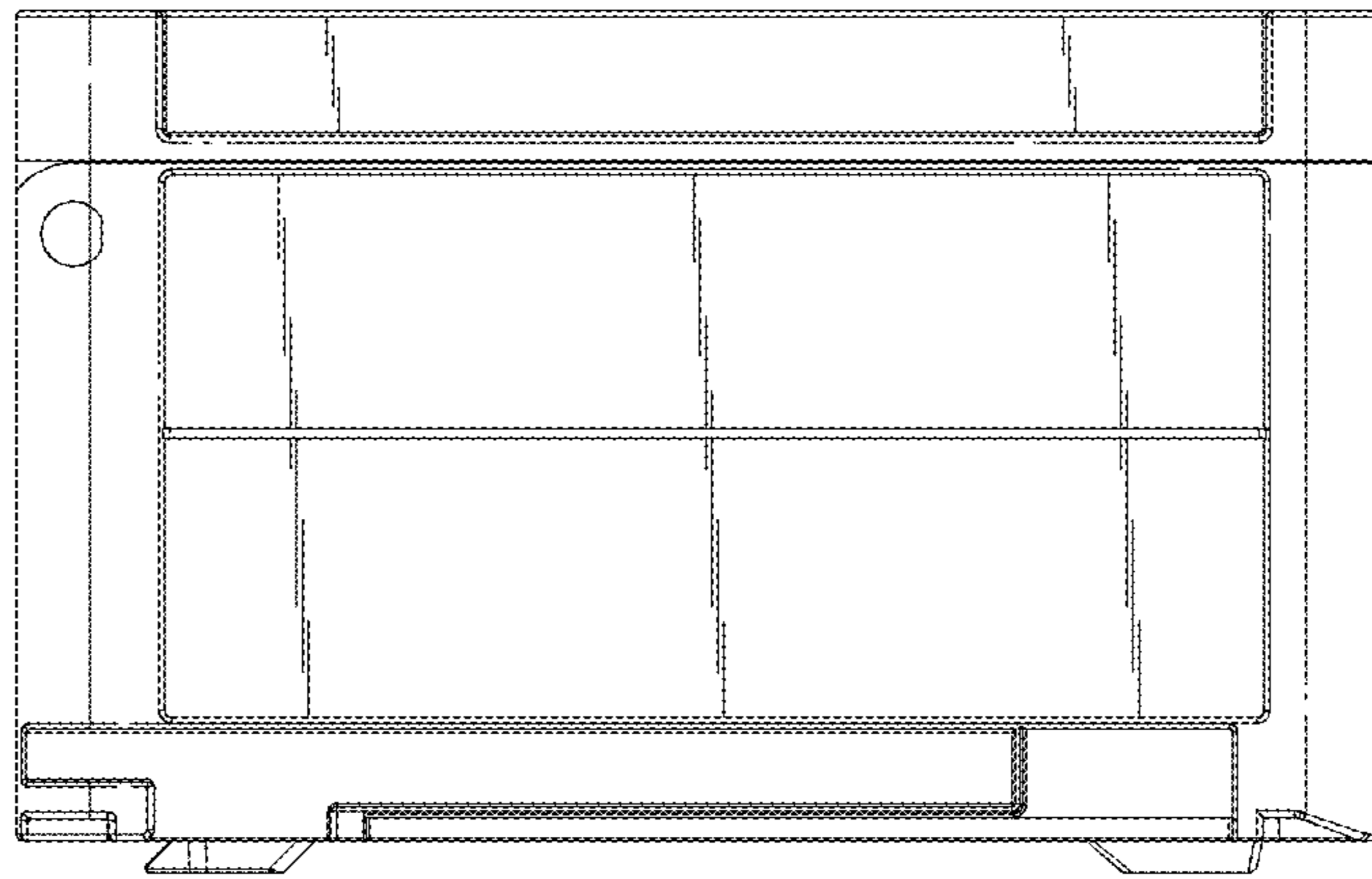


Fig. 12

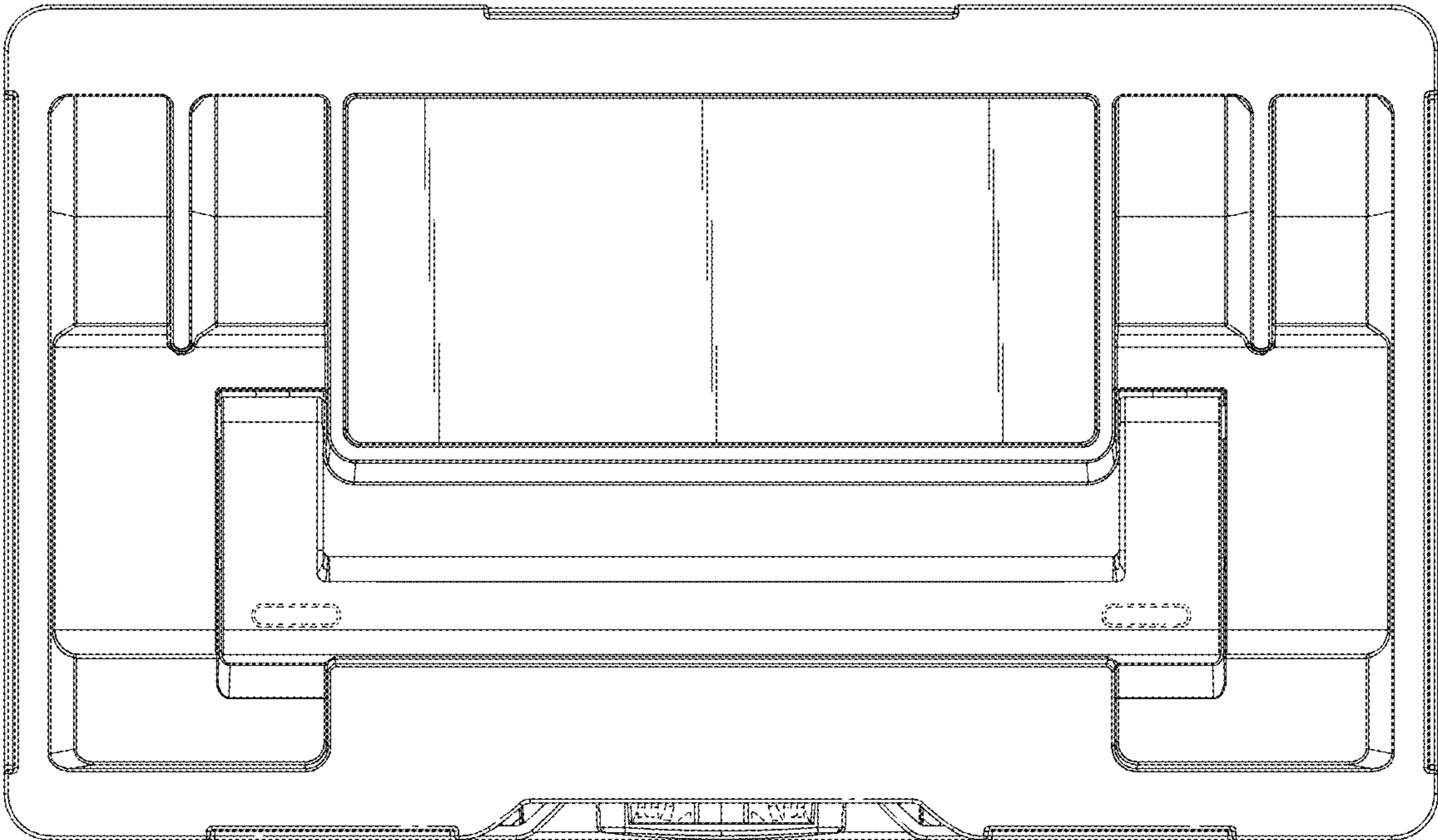


Fig. 13

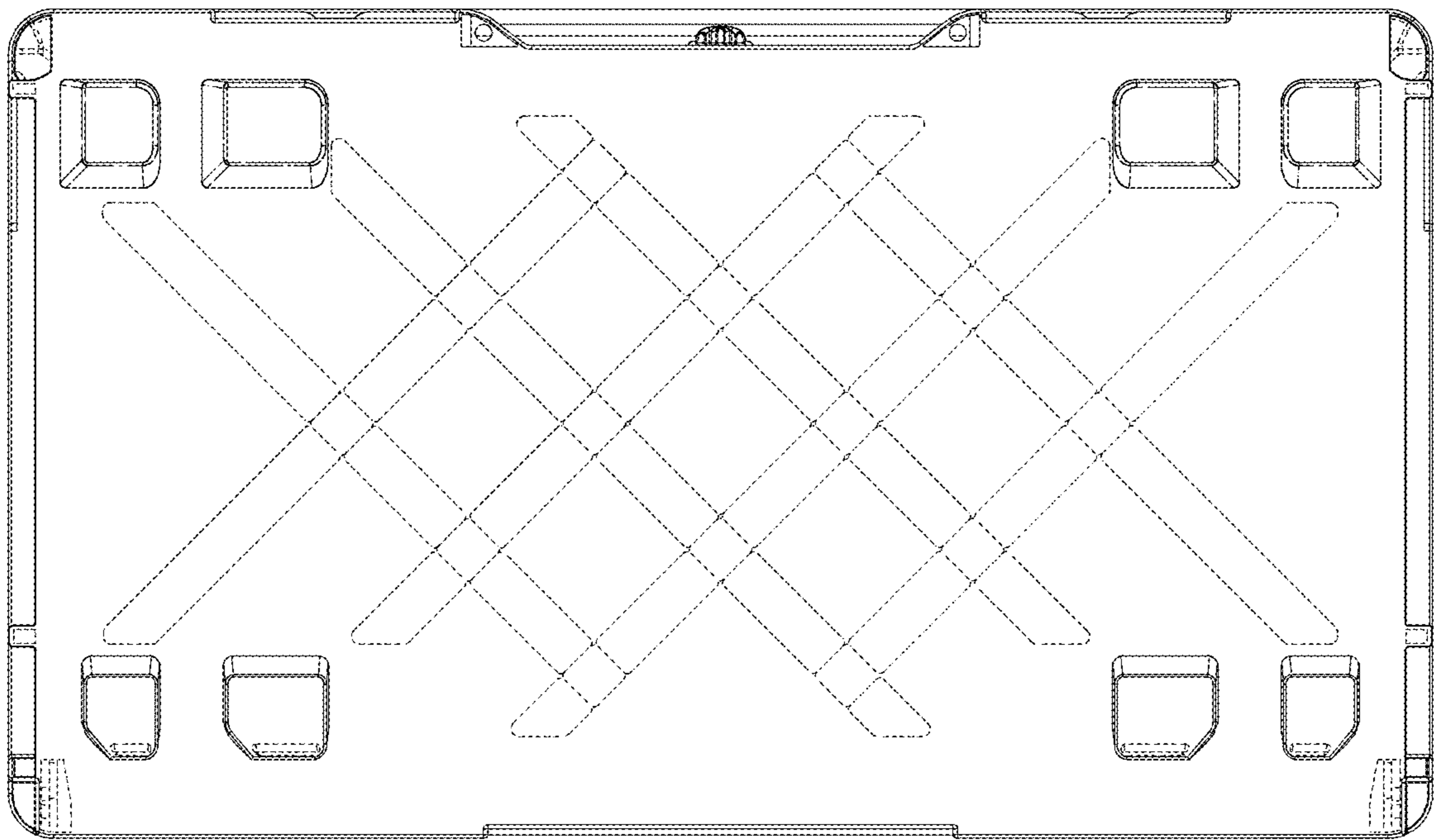


Fig. 14

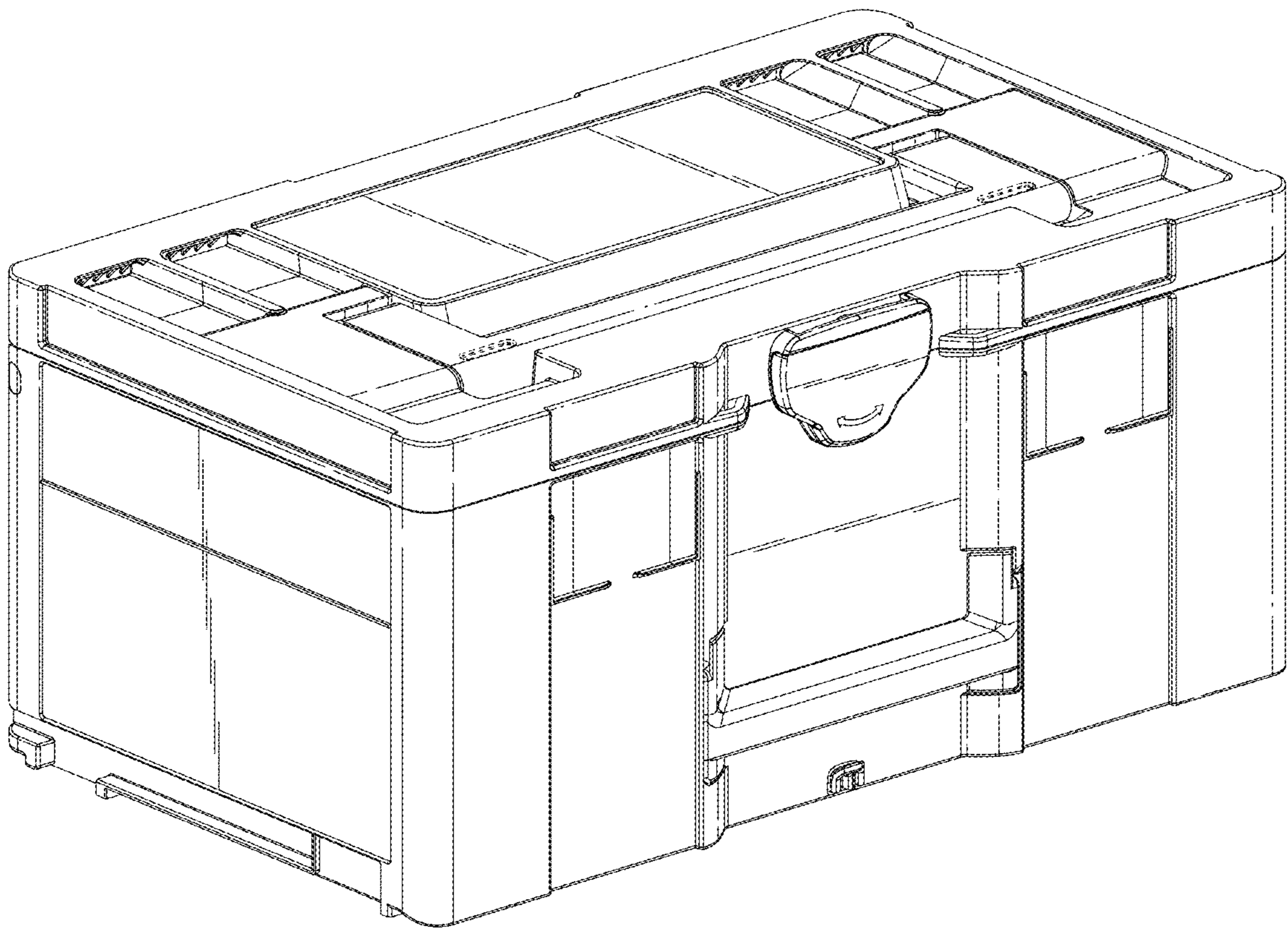


Fig. 15

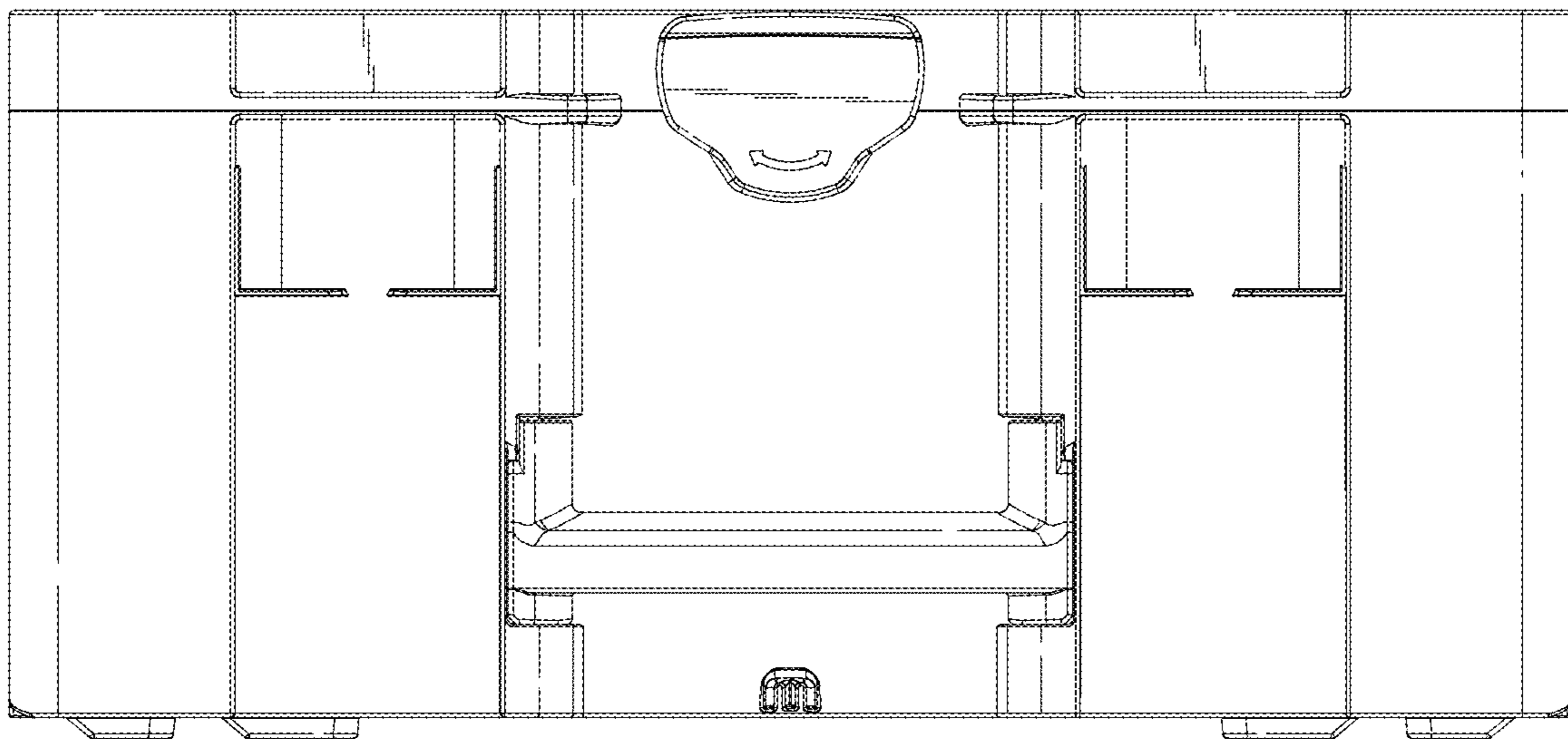


Fig. 16

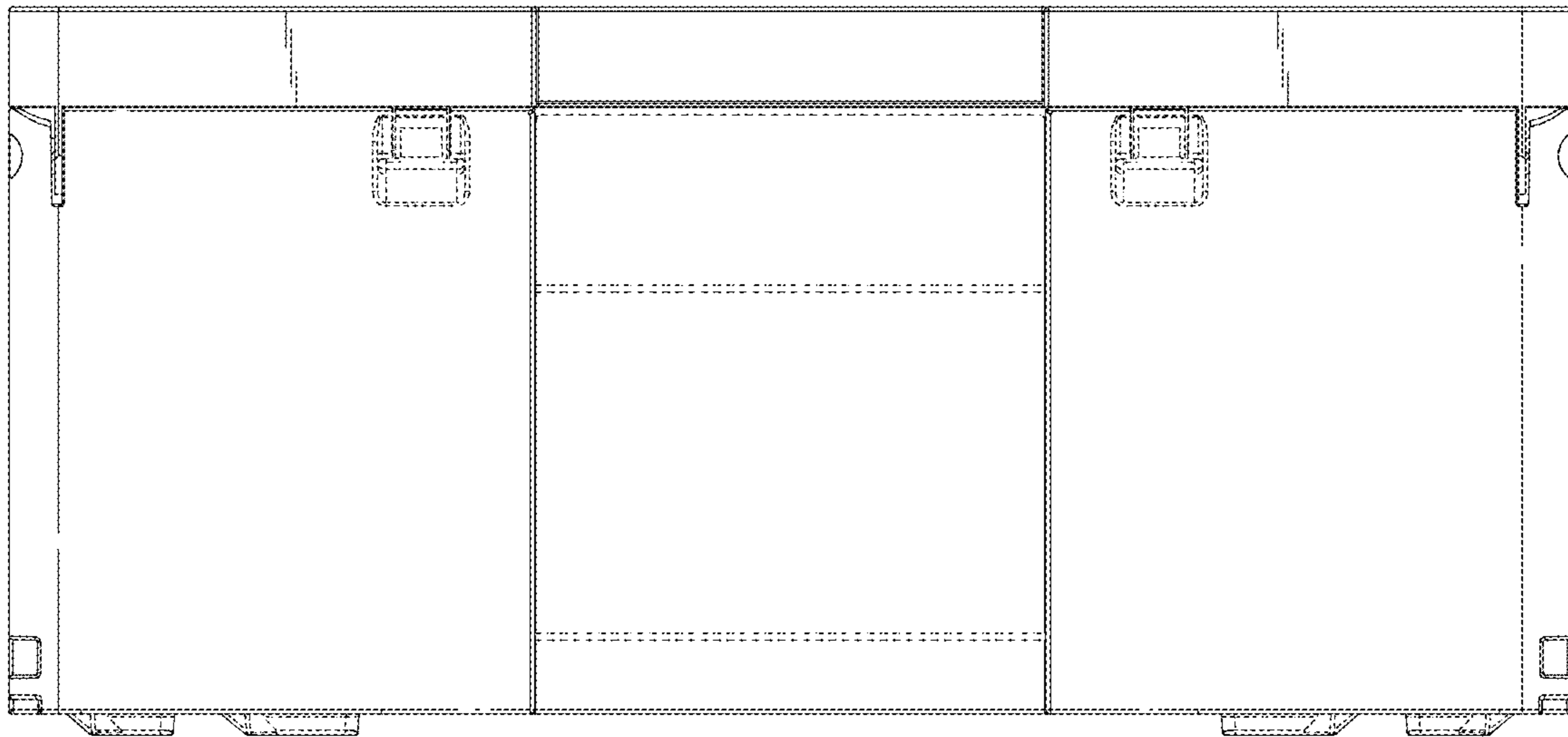


Fig. 17

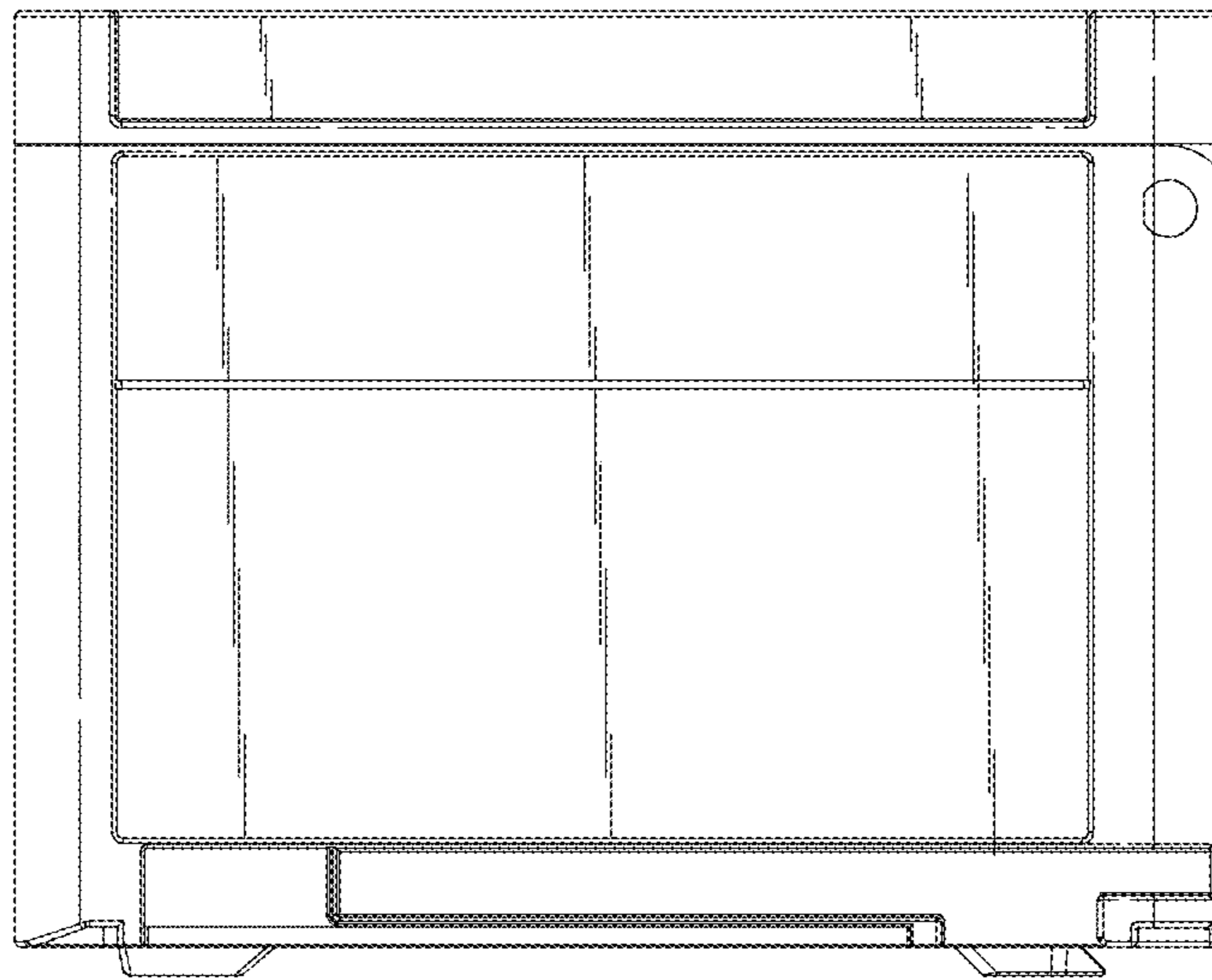


Fig. 18

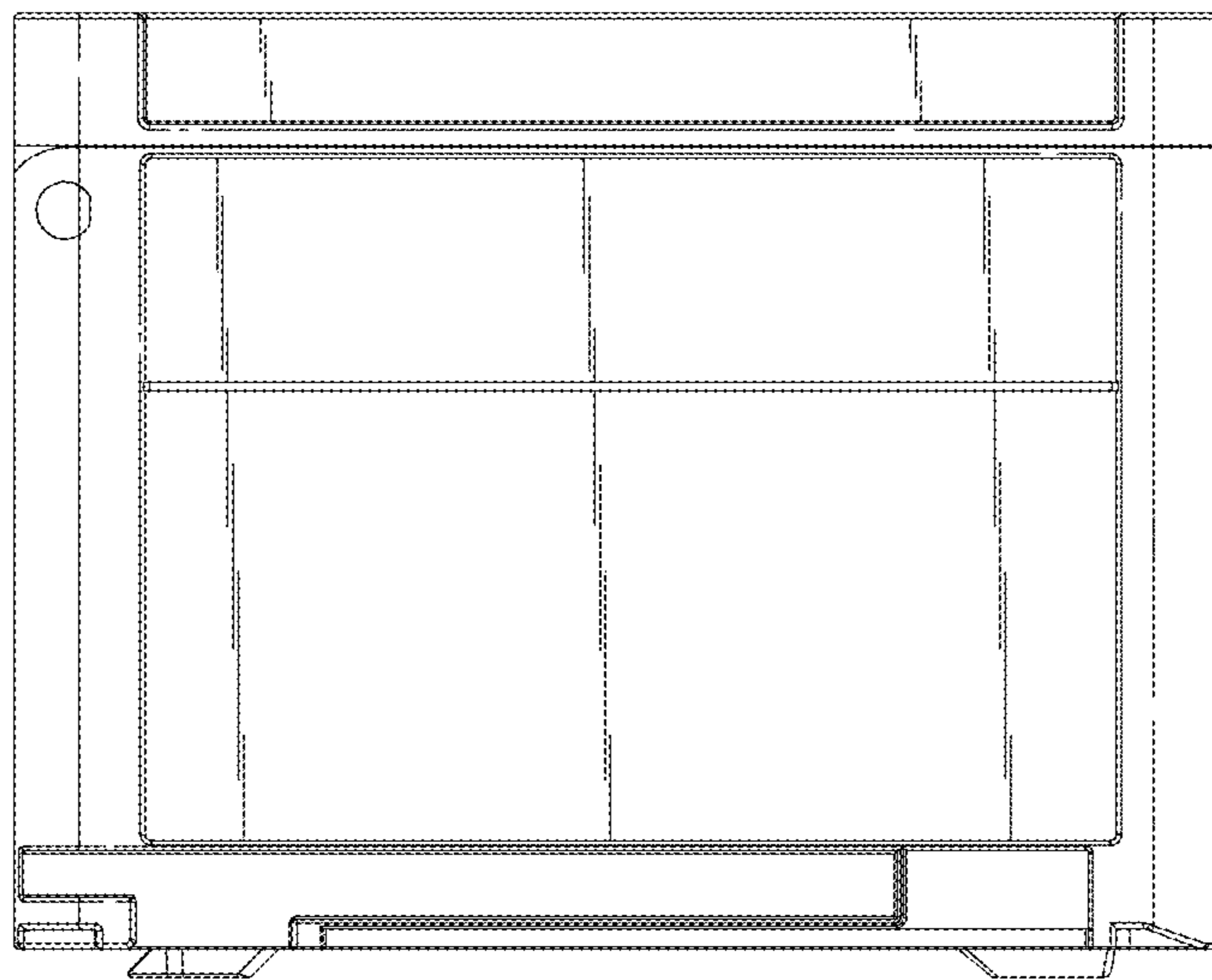


Fig. 19

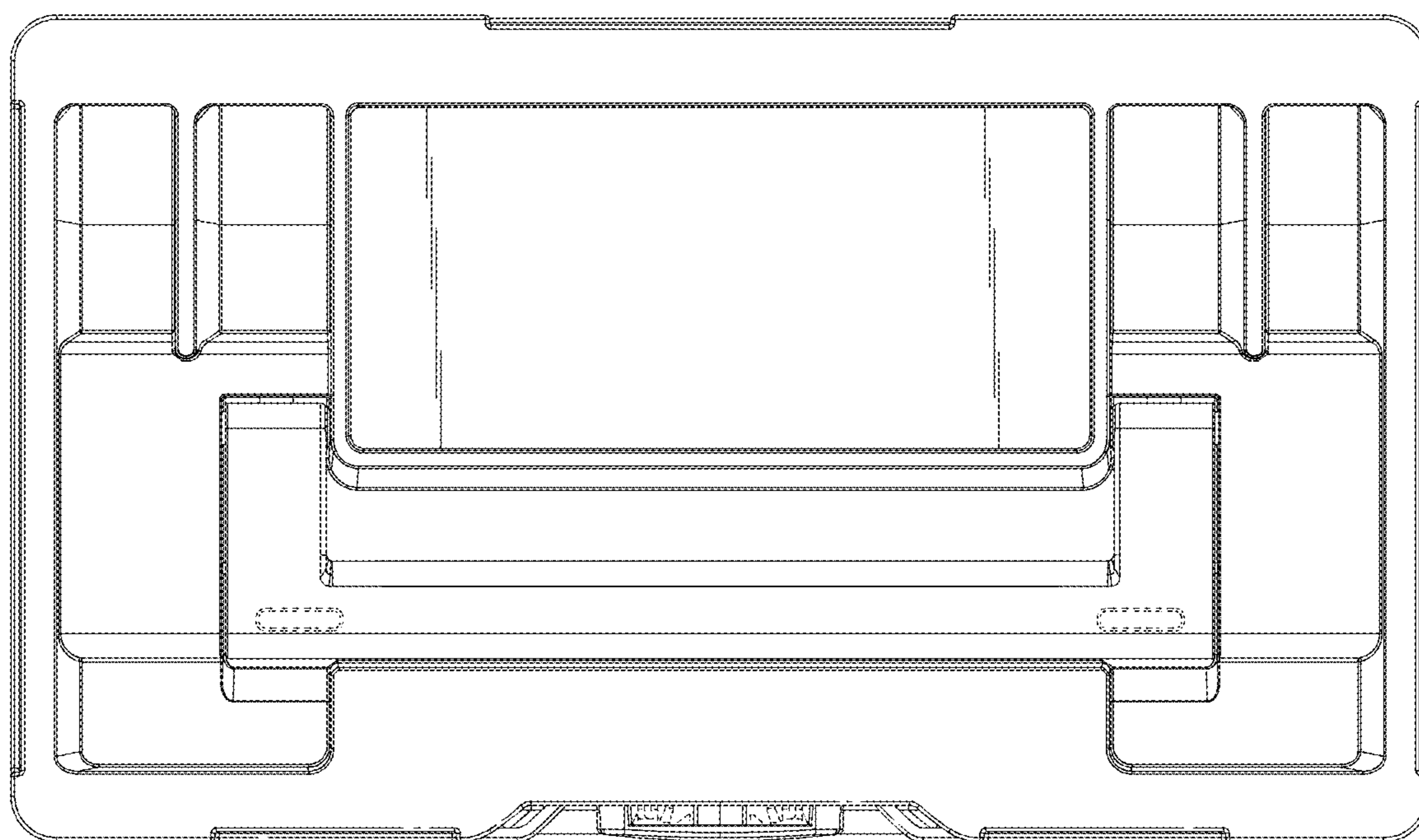


Fig. 20

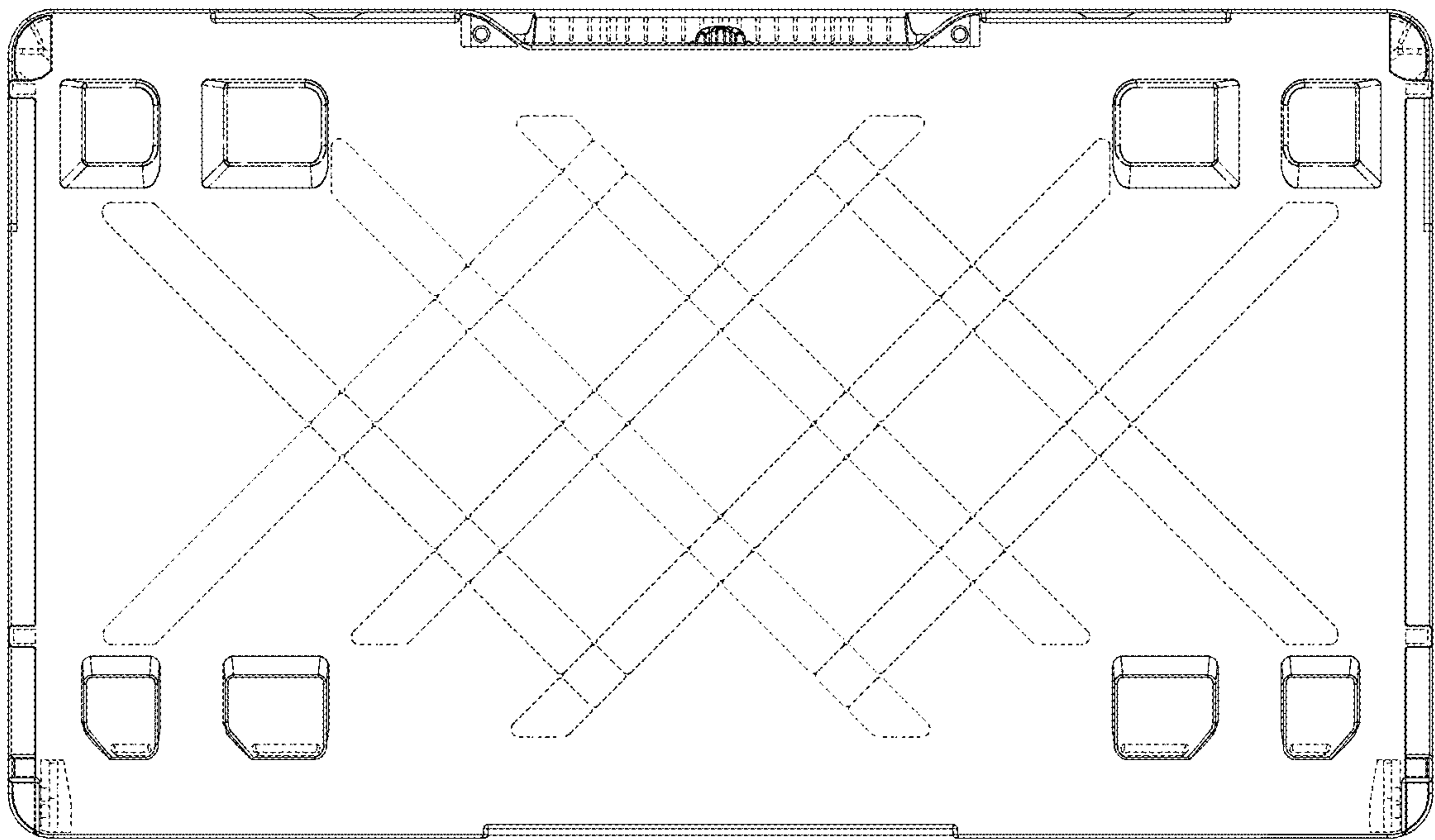


Fig. 21