



US00D906669S

(12) **United States Design Patent** (10) **Patent No.:** **US D906,669 S**
Kuhls (45) **Date of Patent:** **** Jan. 5, 2021**

(54) **STORAGE BOX**
(71) Applicant: **TANOS GmbH Verpacken Ordnen Präsentieren**, Illertissen (DE)
(72) Inventor: **Timo Kuhls**, Stuttgart (DE)
(73) Assignee: **TANOS GMBH VERPACKEN ORDNNEN PRÄSENTIEREN**, Illertissen (DE)

Primary Examiner — April Rivas
(74) *Attorney, Agent, or Firm* — Hoffmann & Baron, LLP

(**) Term: **15 Years**
(21) Appl. No.: **29/682,738**
(22) Filed: **Mar. 7, 2019**

(57) **CLAIM**
The ornamental design for a storage box, as shown and described.

(30) **Foreign Application Priority Data**
Sep. 14, 2018 (WO) 8913801
(51) **LOC (13) Cl.** **03-01**
(52) **U.S. Cl.**
USPC **D3/276; D3/905**
(58) **Field of Classification Search**
USPC D3/272, 273, 276, 279, 282, 284, 291,
D3/294, 302, 900, 905, 903; D19/106,
D19/81, 83

DESCRIPTION

FIG. 1 is a top perspective view of a storage box showing my new design;
FIG. 2 is a front view thereof;
FIG. 3 is a rear view thereof;
FIG. 4 is a left side view thereof;
FIG. 5 is a right side view thereof;
FIG. 6 is a top plan view thereof;
FIG. 7 is a bottom plan view thereof;
FIG. 8 is a top perspective view of an alternative embodiment of a storage box showing my new design;
FIG. 9 is a front view thereof;
FIG. 10 is a rear view thereof;
FIG. 11 is a left side view thereof;
FIG. 12 is a right side view thereof;
FIG. 13 is a top plan view thereof;
FIG. 14 is a bottom plan view thereof;
FIG. 15 is a top perspective view of another alternative embodiment of a storage box showing my new design;
FIG. 16 is a front view thereof;
FIG. 17 is a rear view thereof;
FIG. 18 is a left side view thereof;
FIG. 19 is a right side view thereof;
FIG. 20 is a top plan view thereof;
FIG. 21 is a bottom plan view thereof;
FIG. 22 is a top perspective view of still another alternative embodiment of a storage box showing my new design;
FIG. 23 is a front view thereof;
FIG. 24 is a rear view thereof;
FIG. 25 is a left side view thereof;
FIG. 26 is a right side view thereof;

(Continued)
(56) **References Cited**
U.S. PATENT DOCUMENTS
D627,967 S 11/2010 Kuhls
8,590,704 B2* 11/2013 Koenig B65D 45/20
206/508
(Continued)

FOREIGN PATENT DOCUMENTS
WO DM/072 788 12/2009
WO DM/087 078 7/2015

OTHER PUBLICATIONS
Facebook, “@Festool User Photo Post”, Posted on Nov. 28, 2019.
(<https://www.facebook.com/Festool/posts/2757665594320642/>)(Year: 2019).*

(Continued)

(Continued)

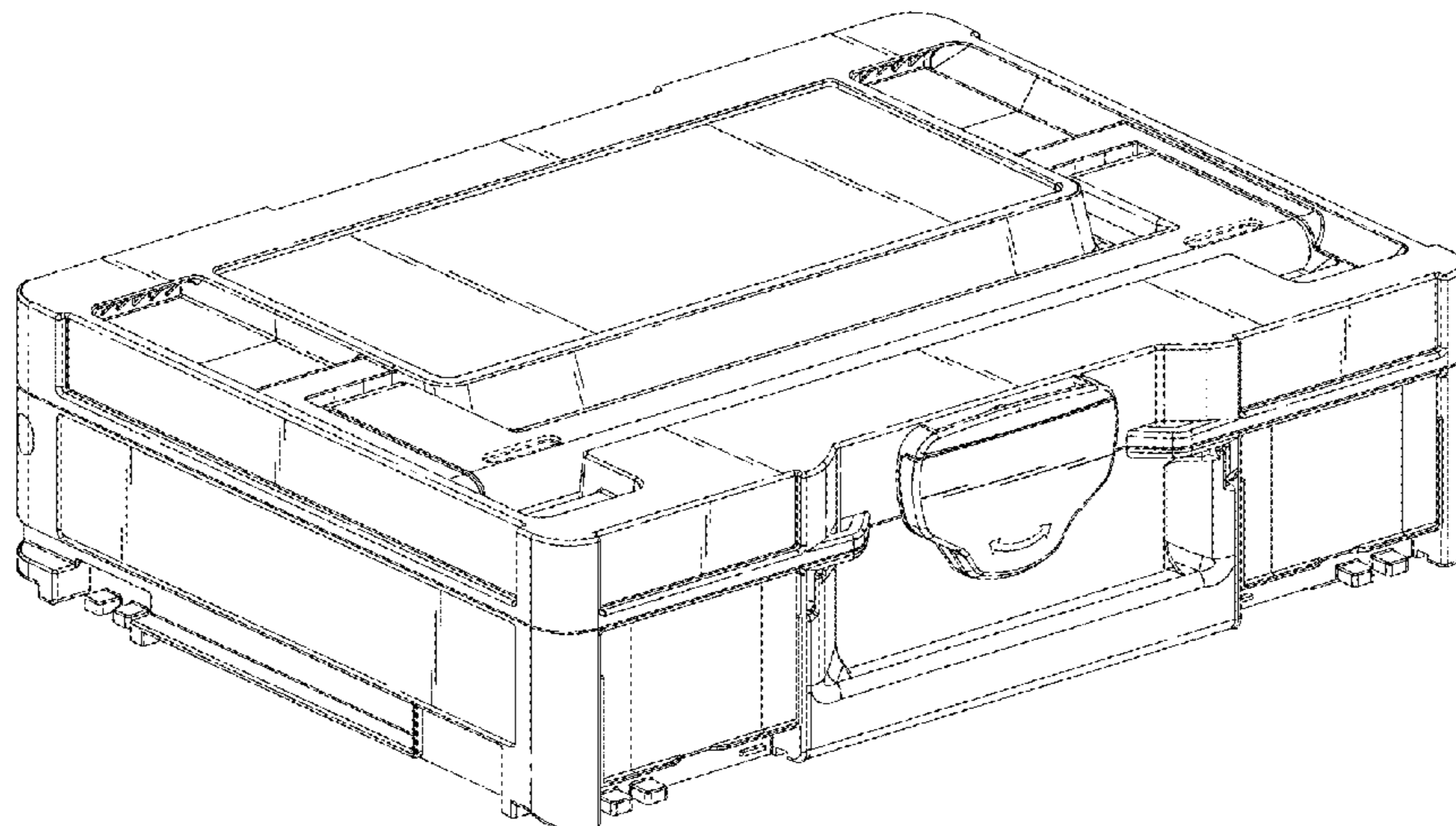


FIG. 27 is a top plan view thereof;
 FIG. 28 is a bottom plan view thereof;
 FIG. 29 is a top perspective view of yet another alternative embodiment of a storage box showing my new design;
 FIG. 30 is a front view thereof;
 FIG. 31 is a rear view thereof;
 FIG. 31 is a left side view thereof;
 FIG. 33 is a right side view thereof;
 FIG. 34 is a top plan view thereof;
 FIG. 35 is a bottom plan view thereof;
 FIG. 36 is a top perspective view of yet still another alternative embodiment of a storage box showing my new design;
 FIG. 37 is a front view thereof;
 FIG. 38 is a rear view thereof;
 FIG. 39 is a left side view thereof;
 FIG. 40 is a right side view thereof;
 FIG. 41 is a top plan view thereof; and,
 FIG. 42 is a bottom plan view thereof.
 The broken lines are included for illustrating portions of the storage box and form no part of the claimed design.

1 Claim, 42 Drawing Sheets

(58) **Field of Classification Search**
 CPC B25H 3/02
 See application file for complete search history.

(56)

References Cited

U.S. PATENT DOCUMENTS

D731,183	S	6/2015	Kuhls	
D735,995	S *	8/2015	Lin	D3/294
D757,435	S *	5/2016	Damberg	B25H 3/021 D3/284
D803,561	S	11/2017	Kuhls	
10,286,542	B2 *	5/2019	Wolle	B25H 3/02
10,293,476	B2 *	5/2019	Fleischmann	B25H 3/02
10,293,477	B2 *	5/2019	Wolle	B25H 3/02
D873,004	S *	1/2020	Shpitzer	D3/276
D882,952	S *	5/2020	Austin	D3/294
2011/0155613	A1 *	6/2011	Koenig	B25H 3/02 206/503
2011/0233096	A1 *	9/2011	Michels	B25H 3/02 206/459.5

OTHER PUBLICATIONS

Systainer Catalog, Published Apr. 2015. (https://www.tanos.de/pics/Service/Downloads/Katalog_systainer_2015_DE.pdf) (Year: 2015).*
 Amazon, "Festool 204534 Limited Edition Blue Systainer 2", First on sale Nov. 6, 2018. (<https://www.amazon.com/Festool-204534-Limited-Blue-Systainer/dp/B07G9VG8W9>) (Year: 2018).*
 Amazon, "Festool 497566 Systainer SYS 4 Tool and Accessory Storage Unit", First on sale Apr. 28, 2011. (<https://www.amazon.com/Festool-Systainer-SYS-Accessory-Storage/dp/B004KR5HPC>) (Year: 2011).*

* cited by examiner

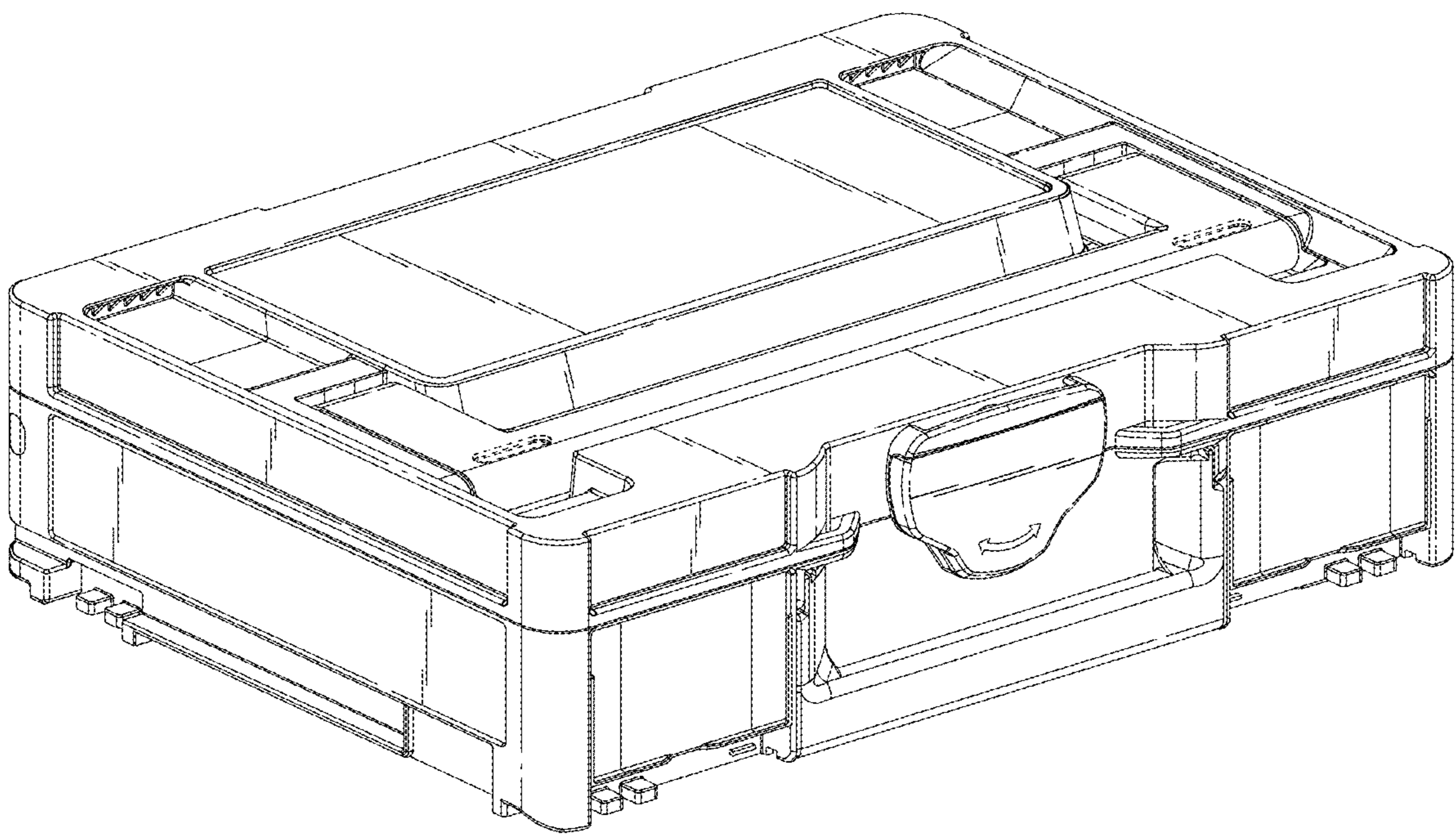


FIG. 1

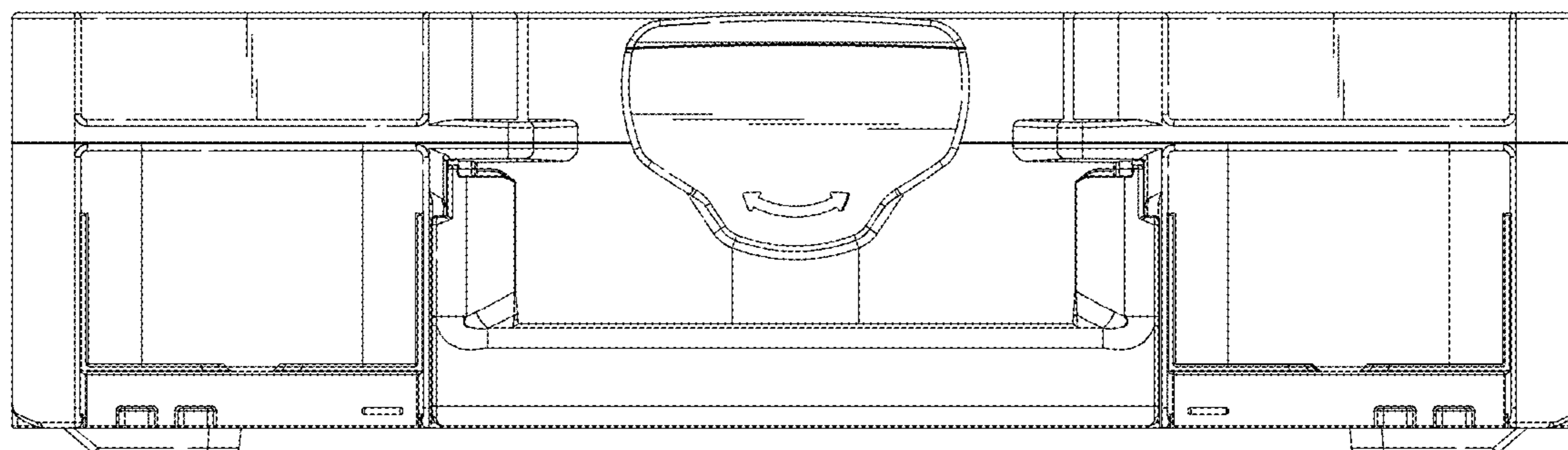


FIG. 2

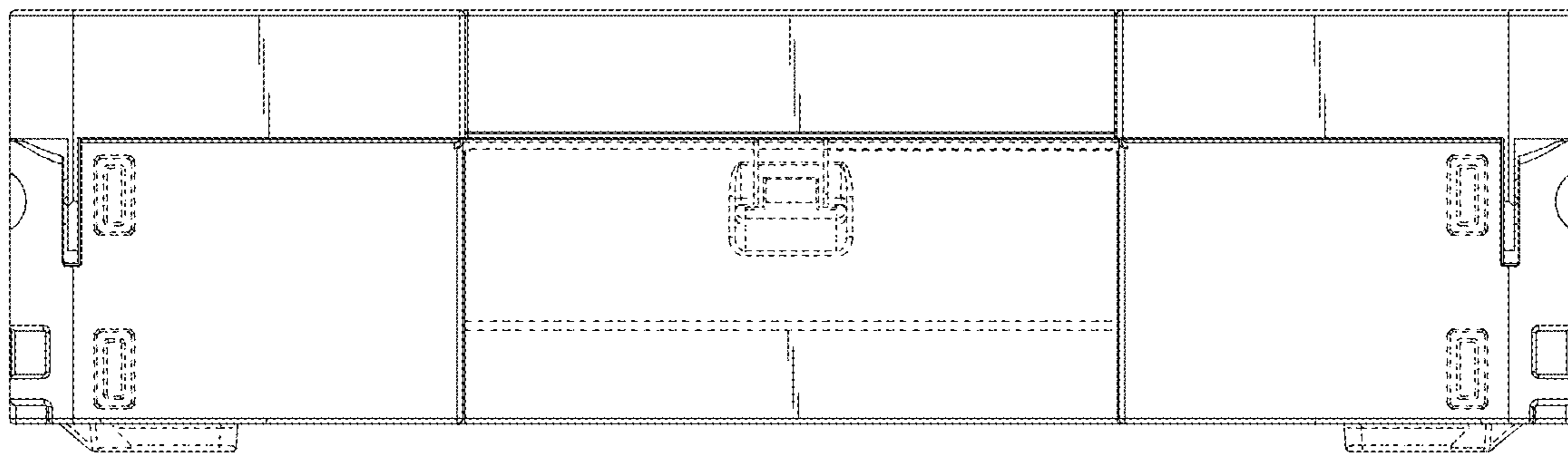


FIG. 3

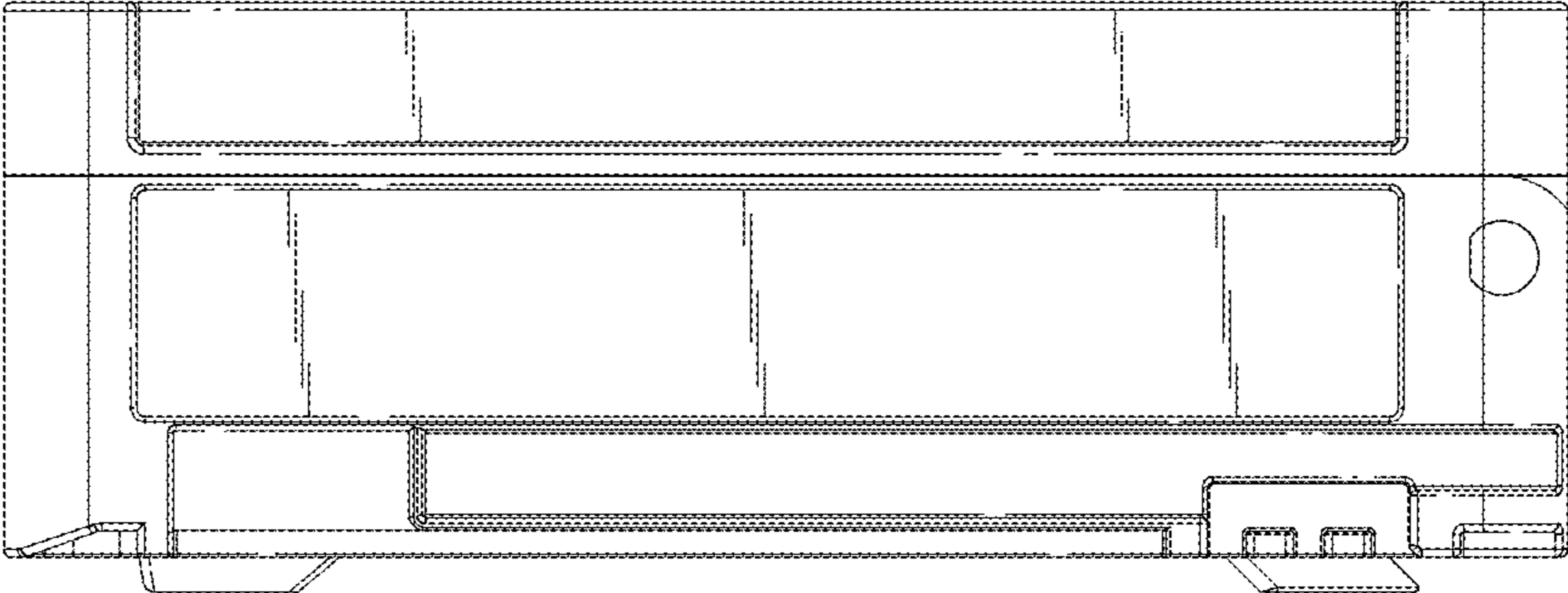


FIG. 4

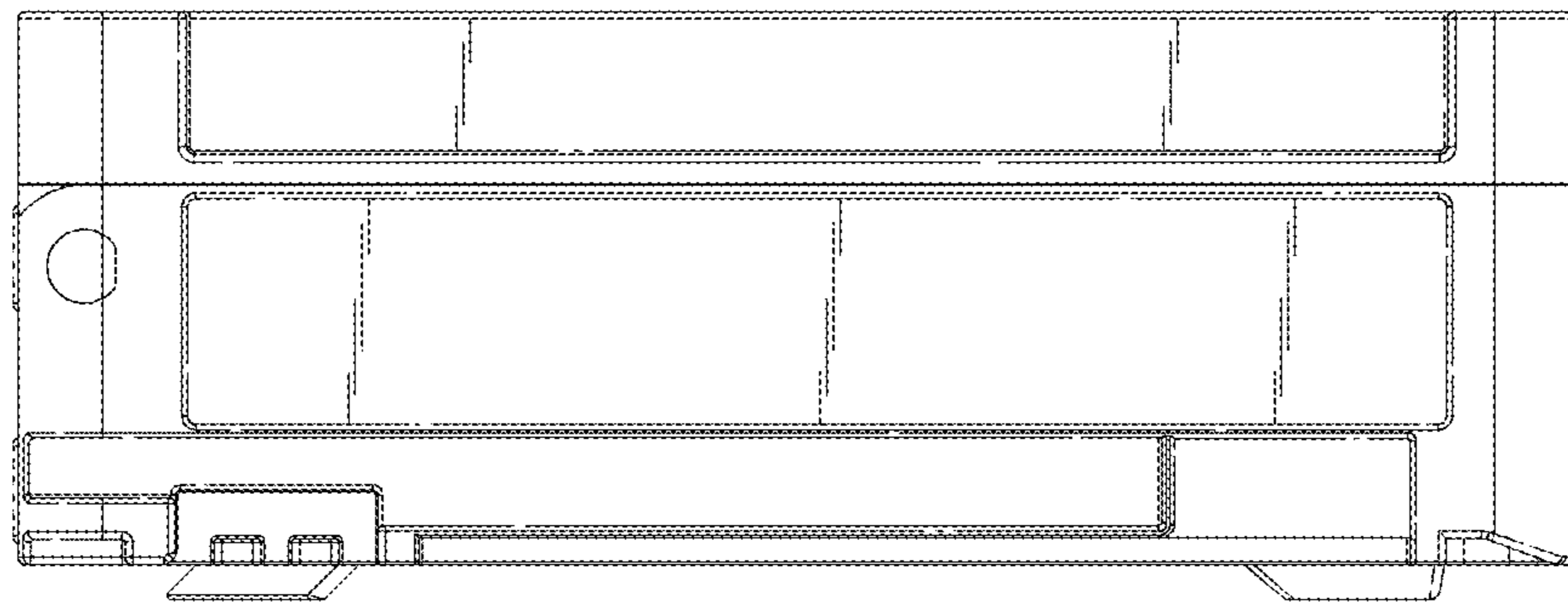


FIG. 5

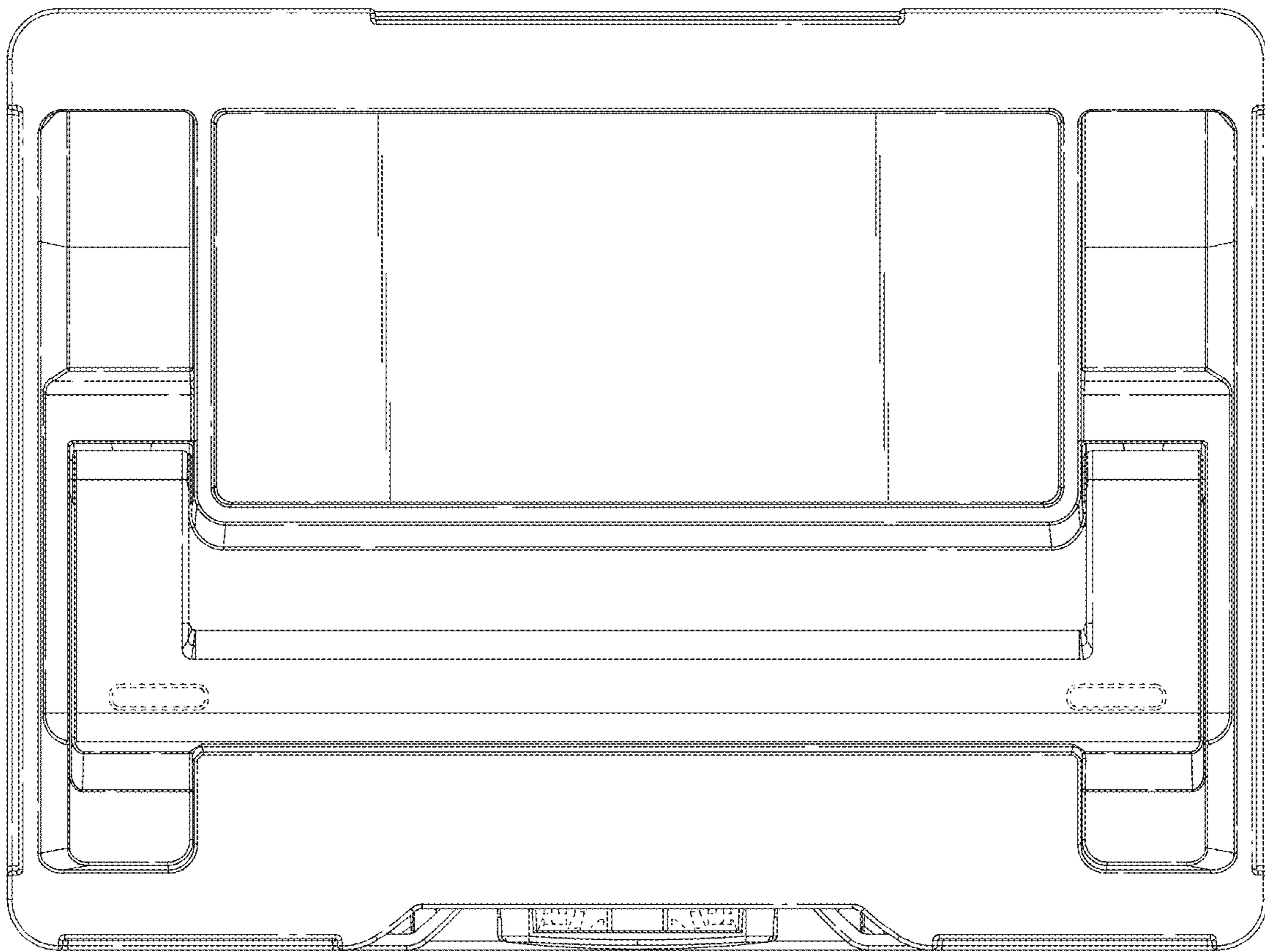


FIG. 6

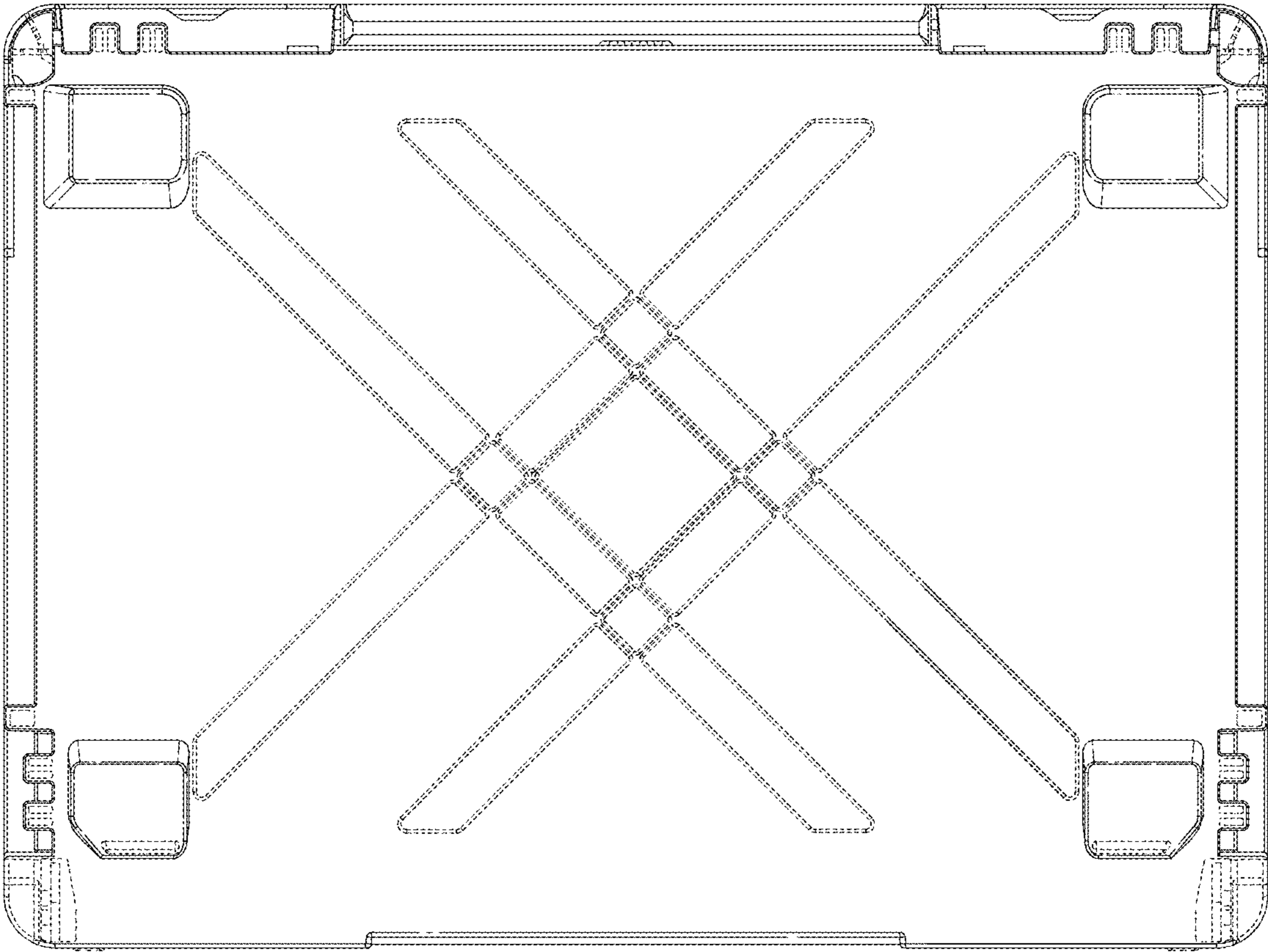


FIG. 7

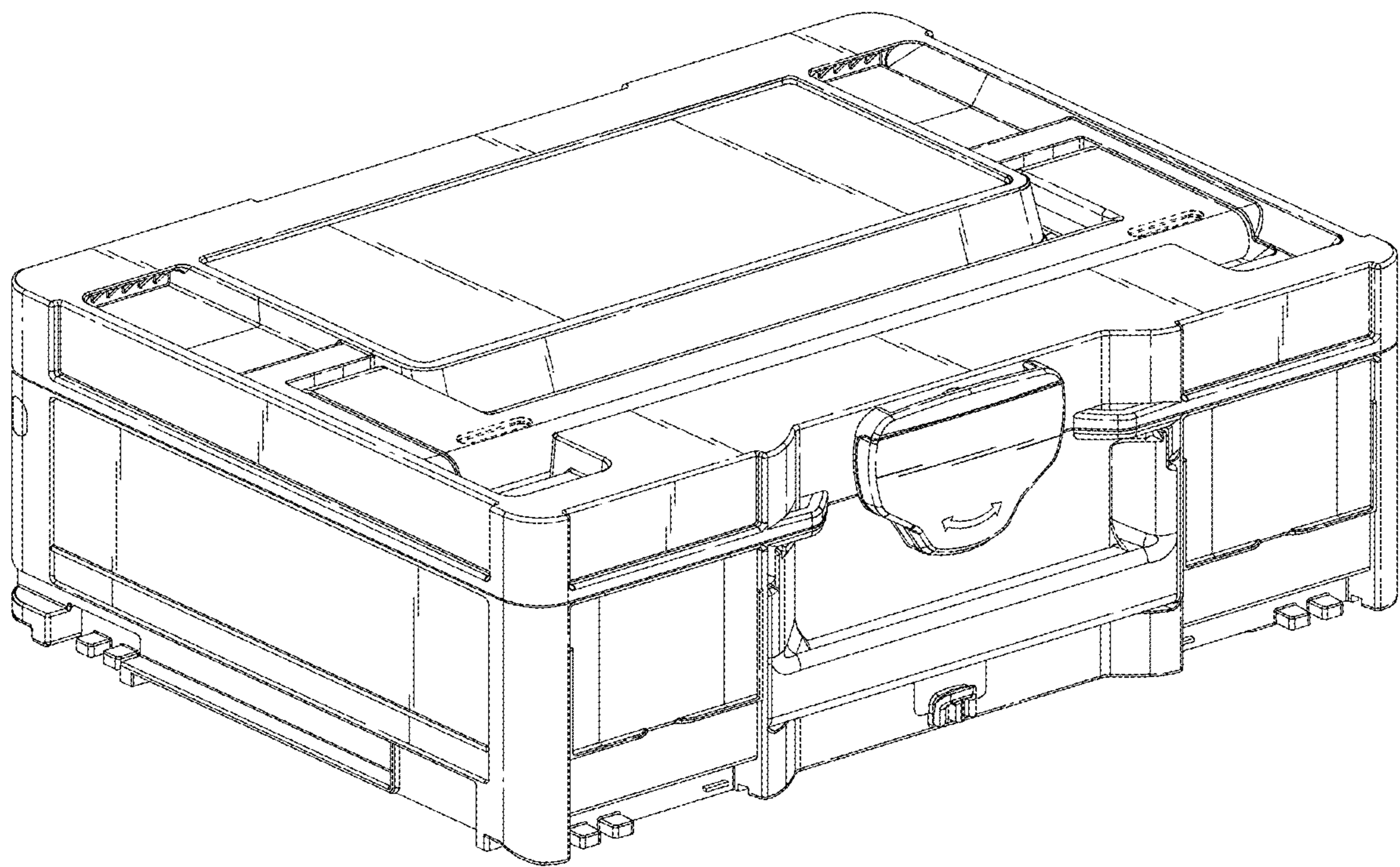


FIG. 8

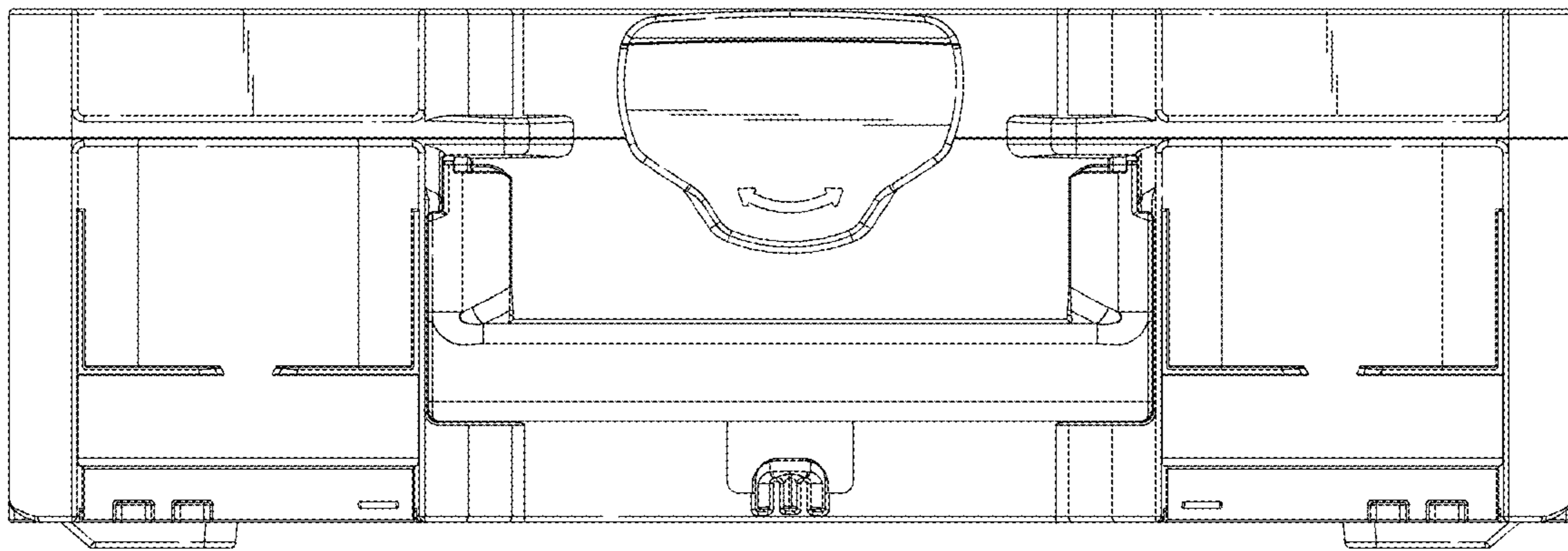


FIG. 9

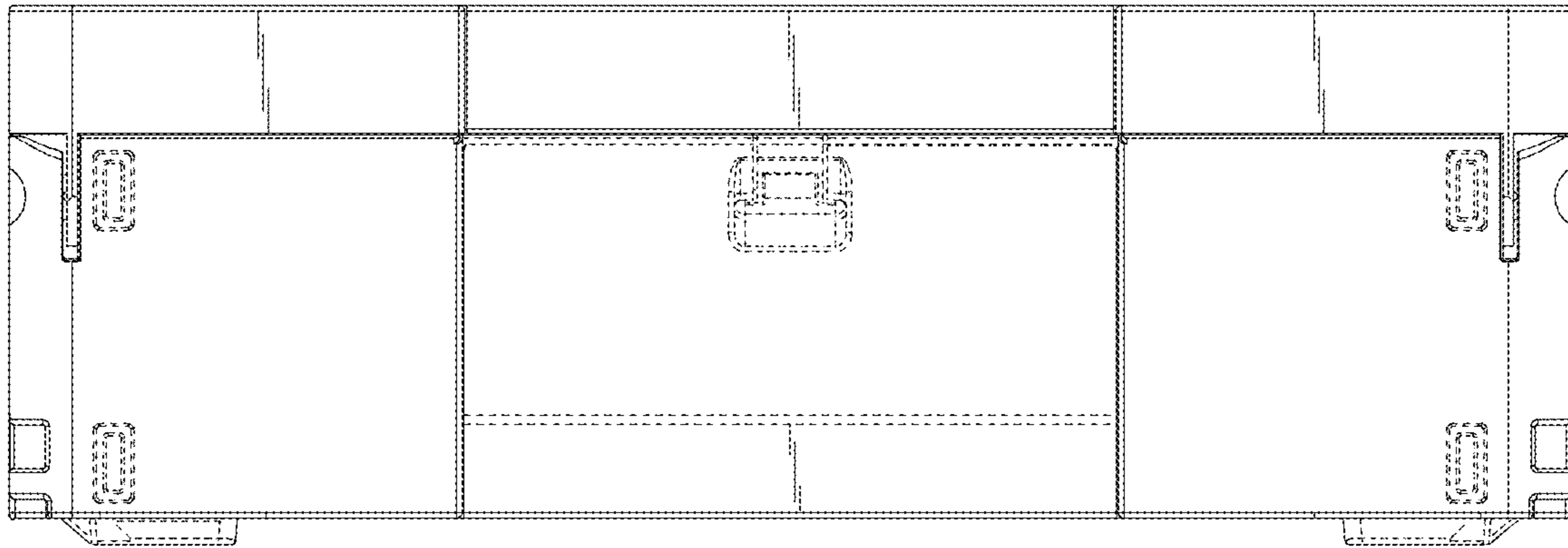


FIG. 10

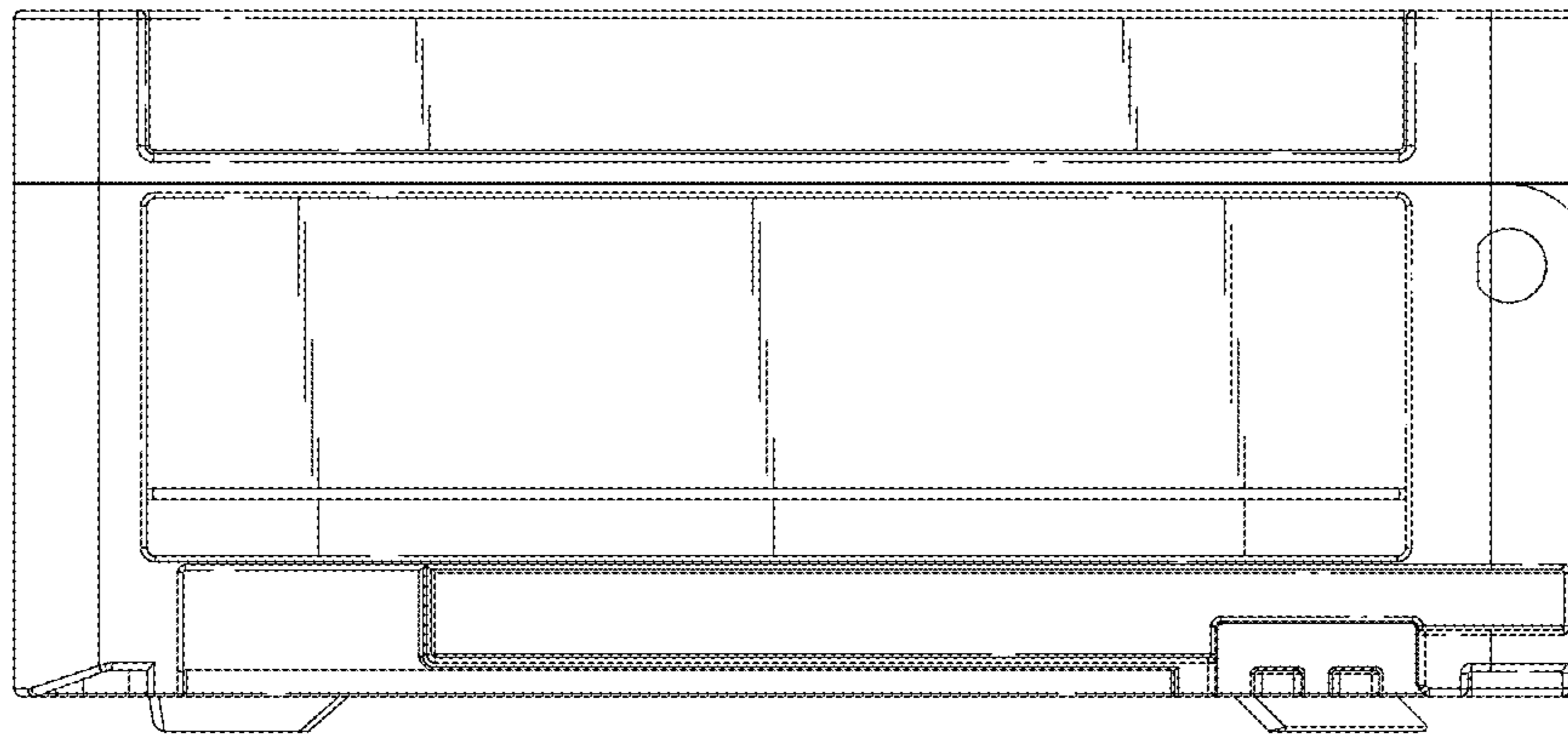


FIG. 11

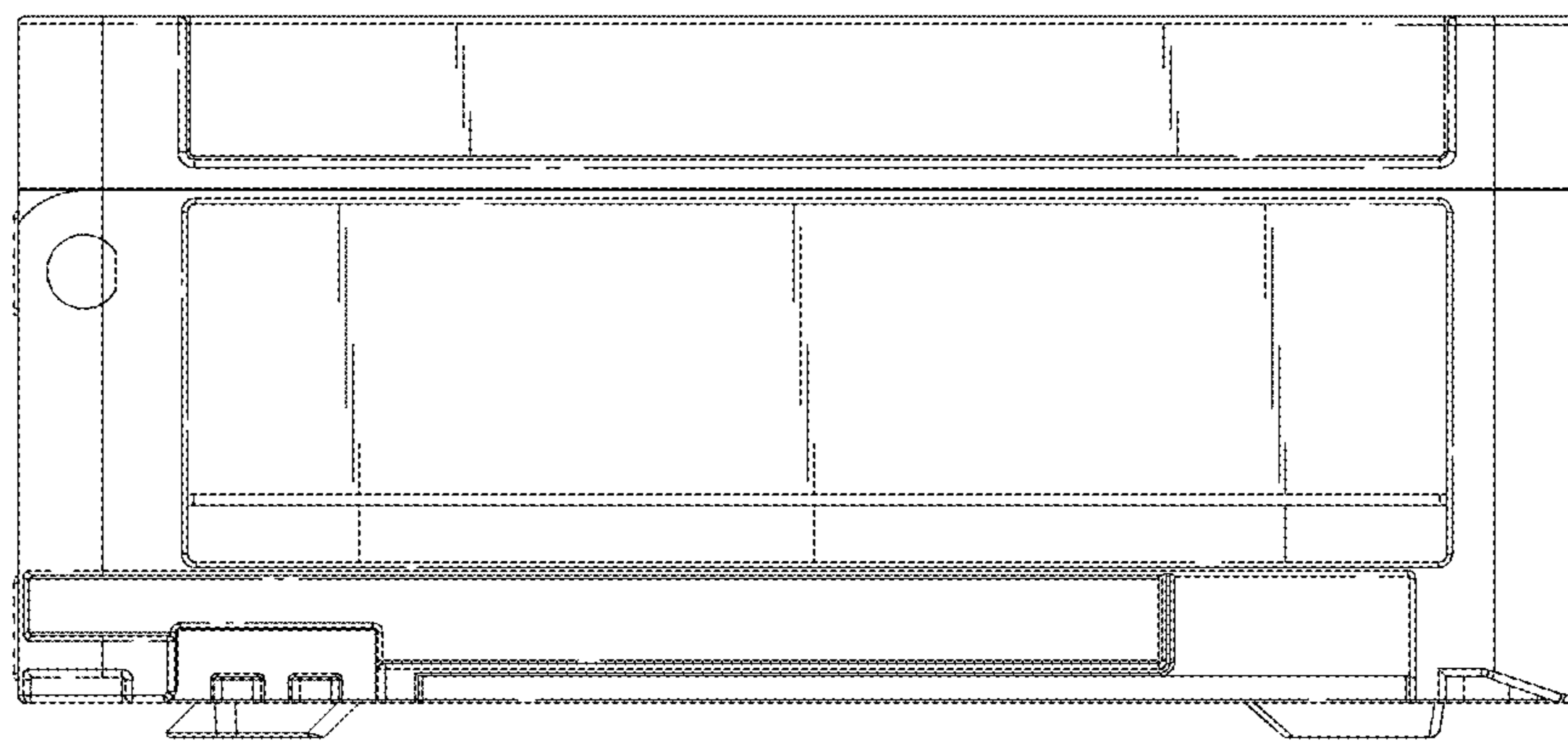


FIG. 12

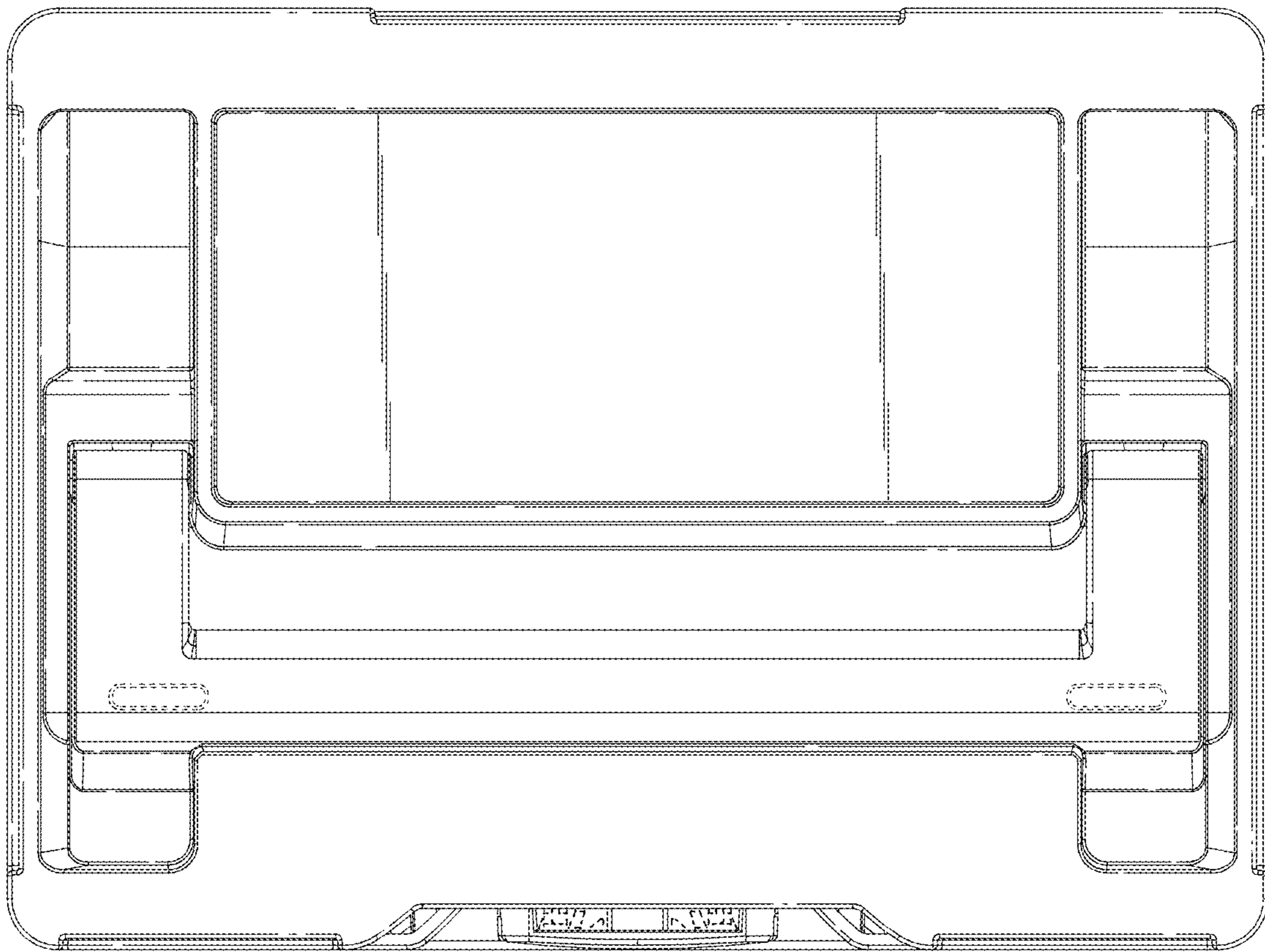


FIG. 13

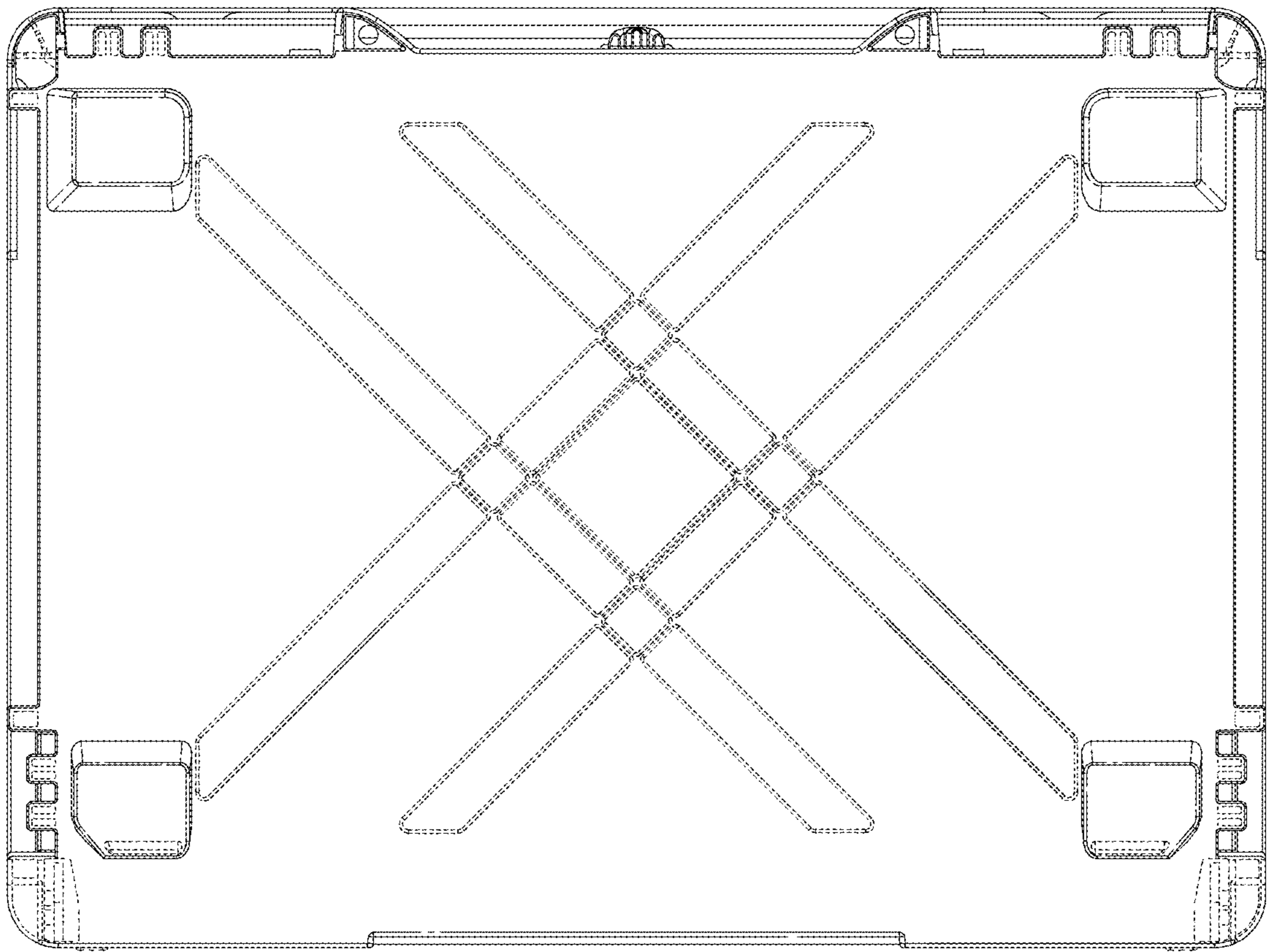


FIG. 14

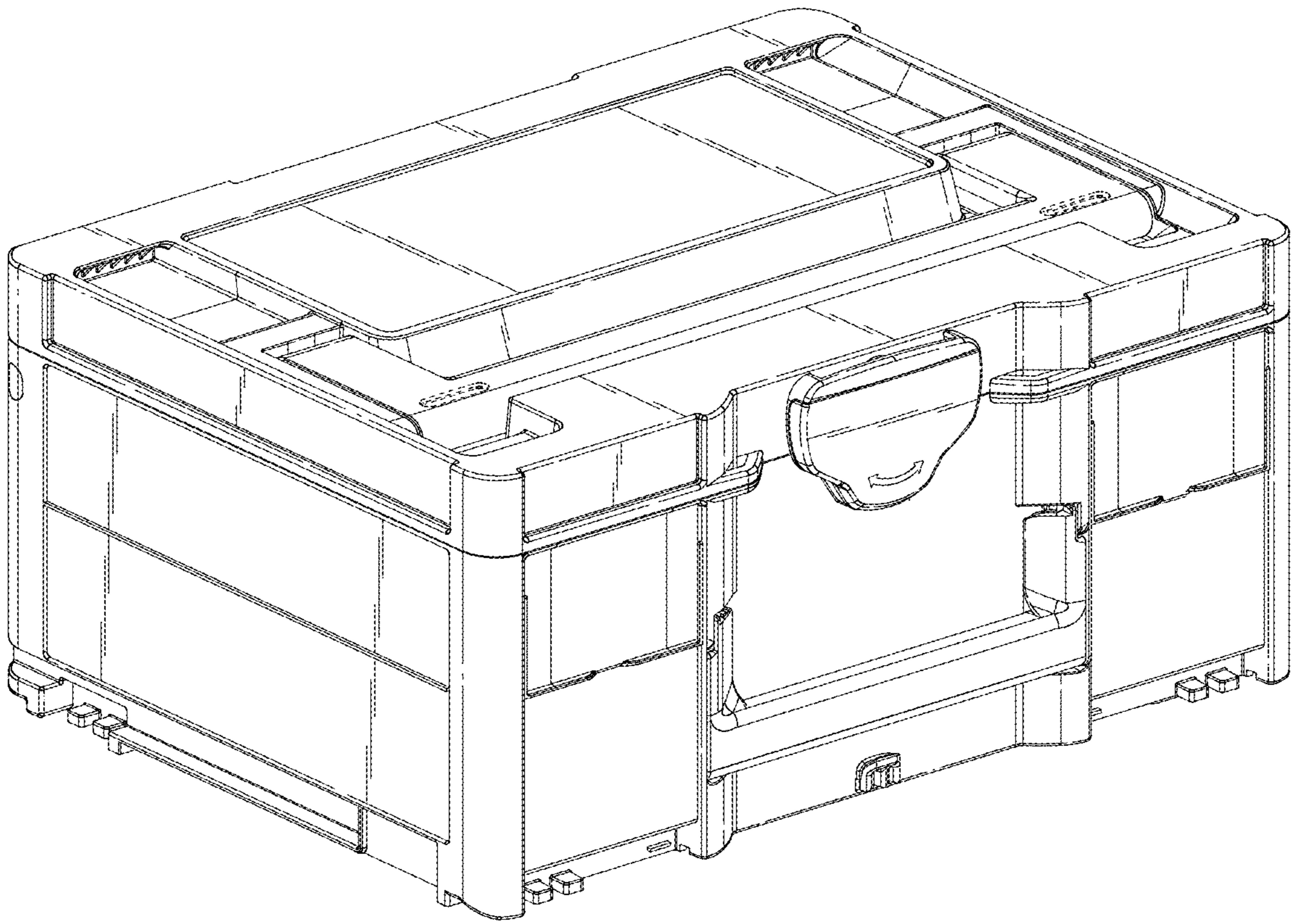


Fig. 15

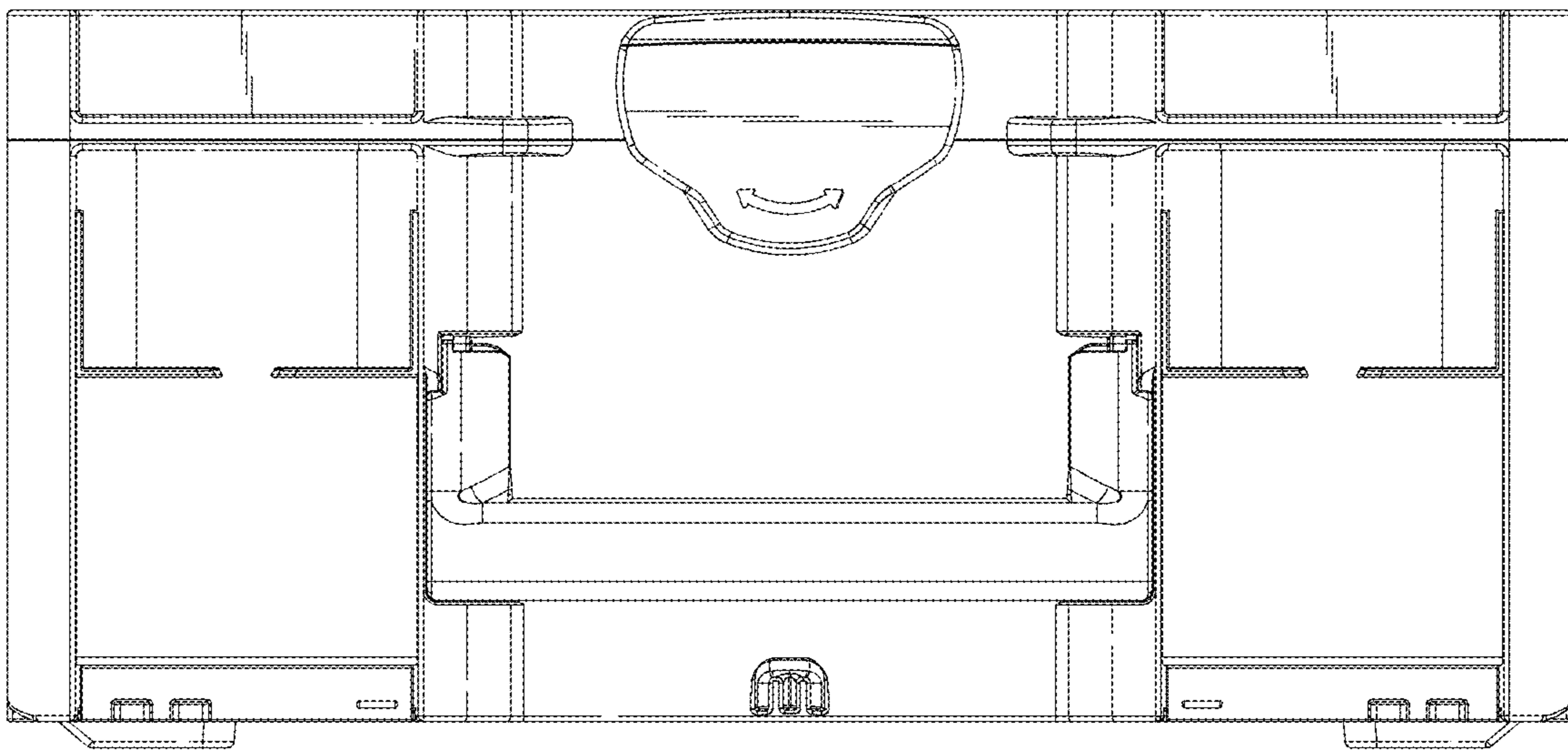


Fig. 16

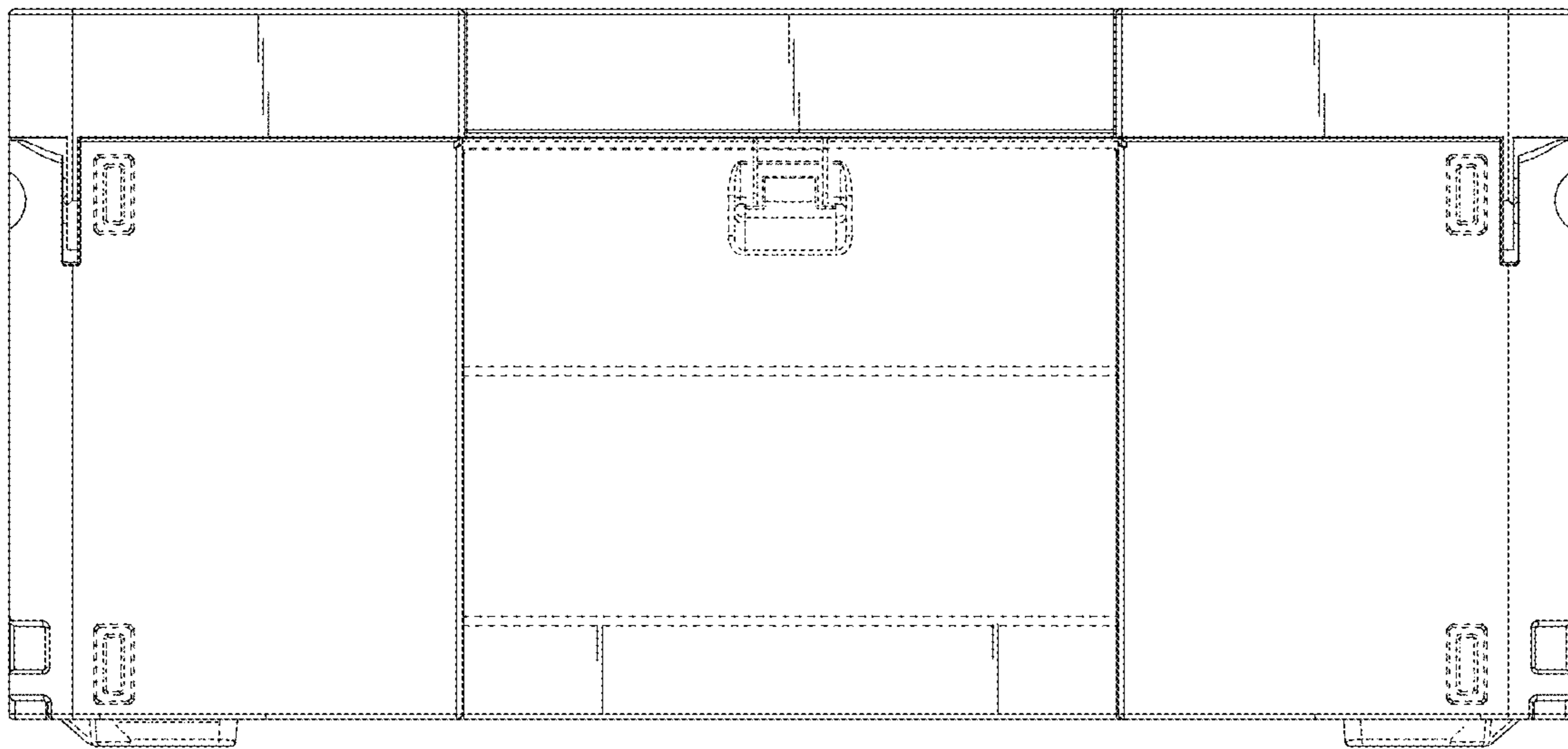


Fig. 17

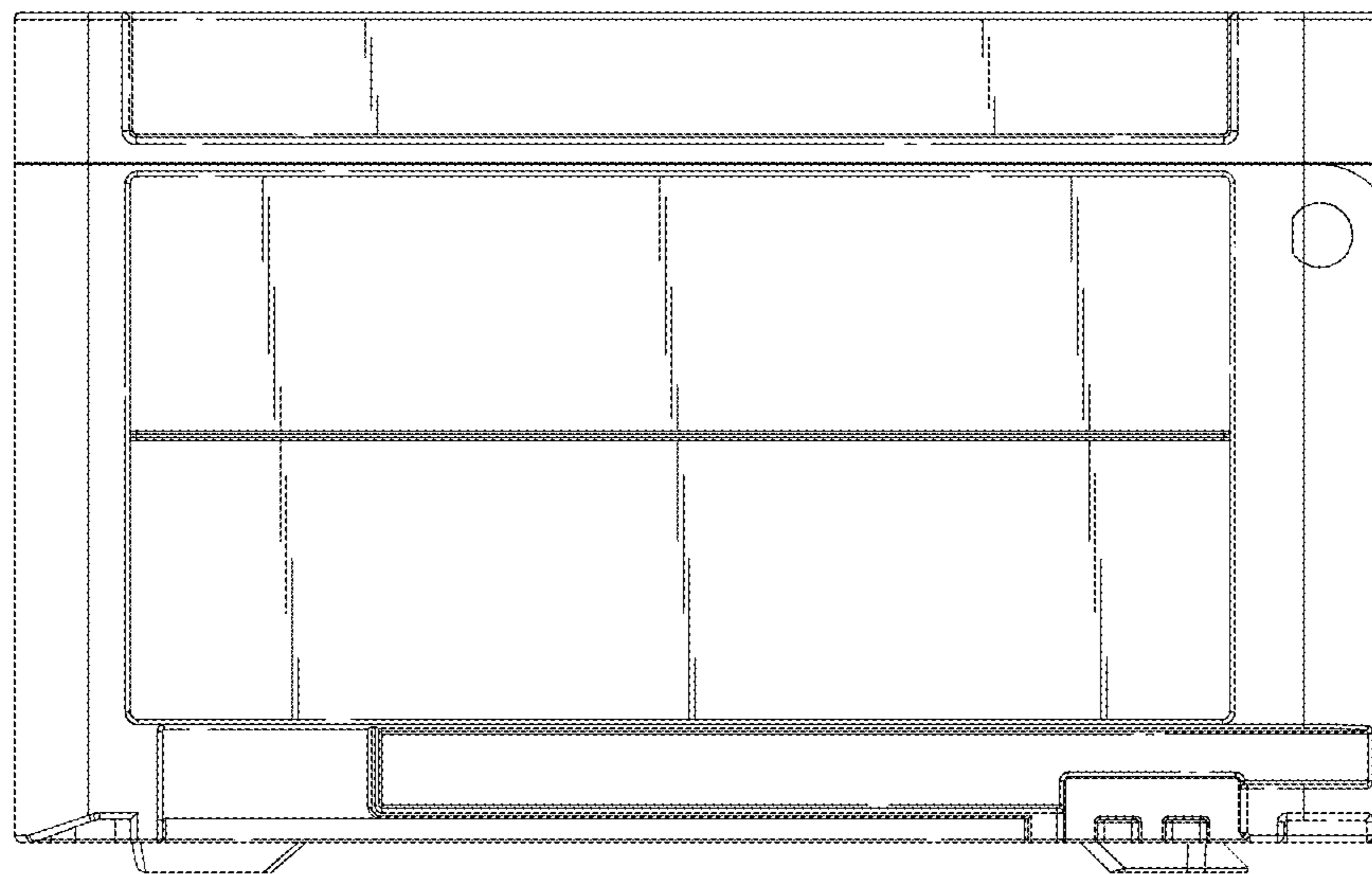


Fig. 18

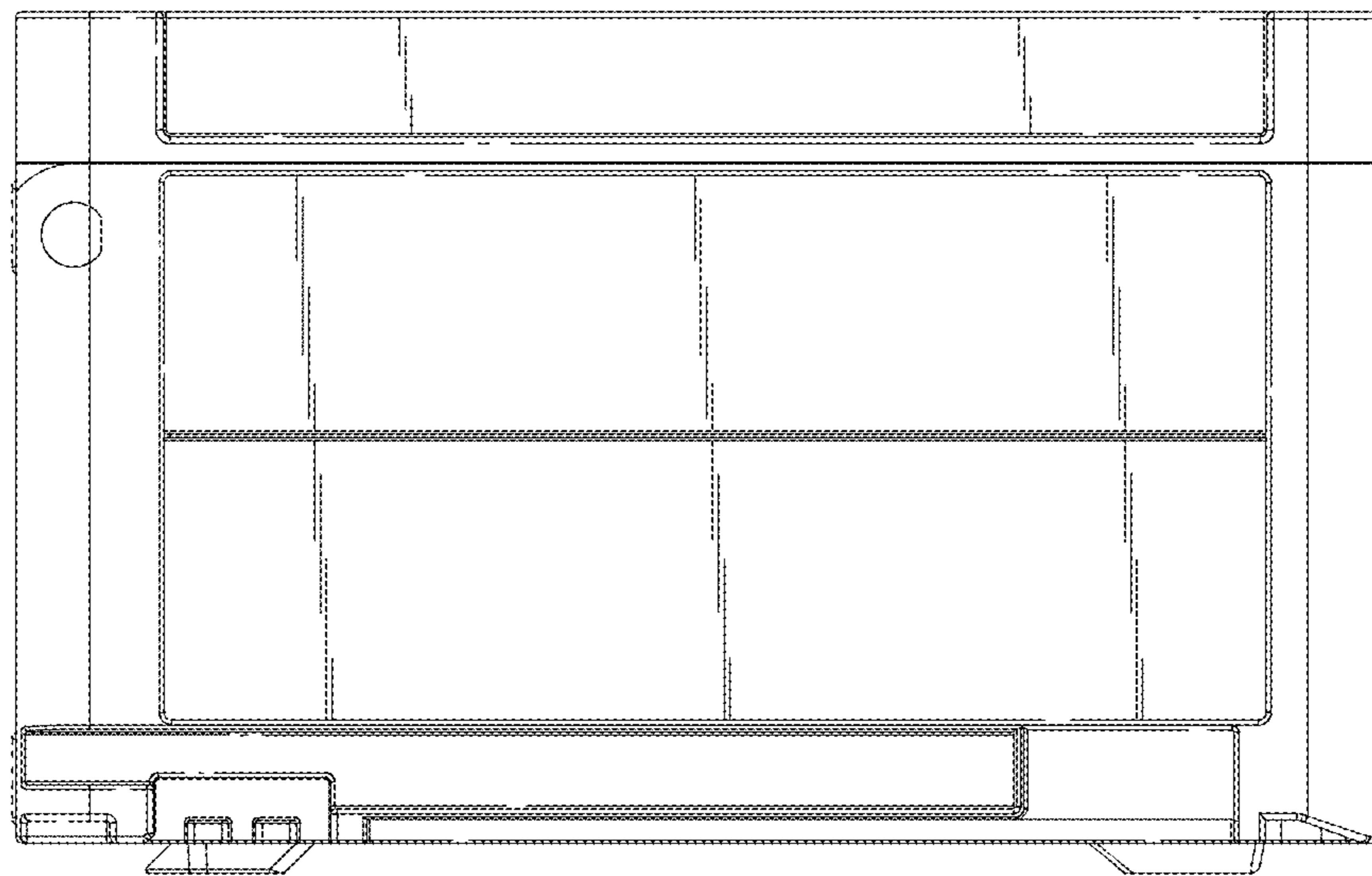


Fig. 19

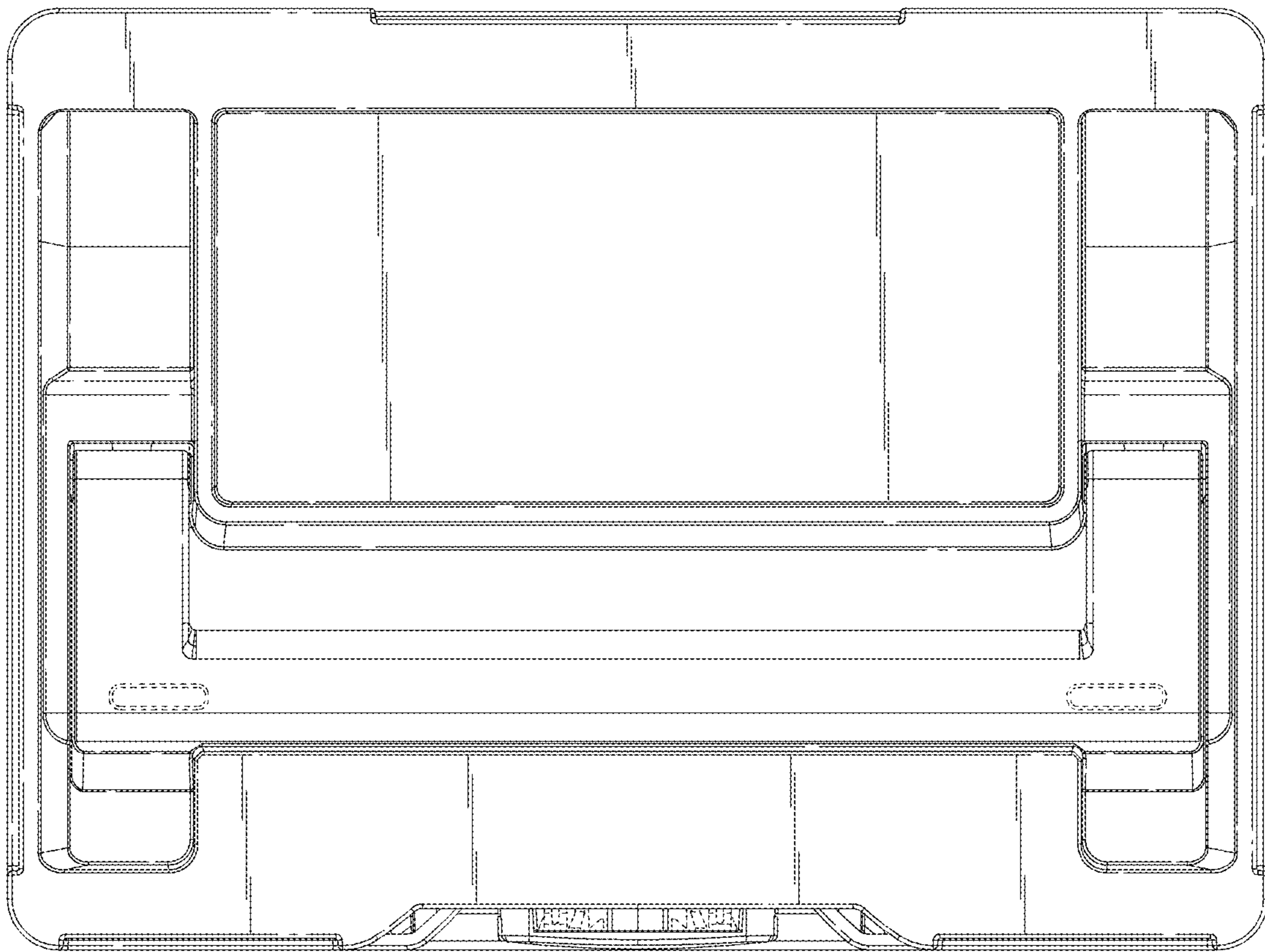


Fig. 20

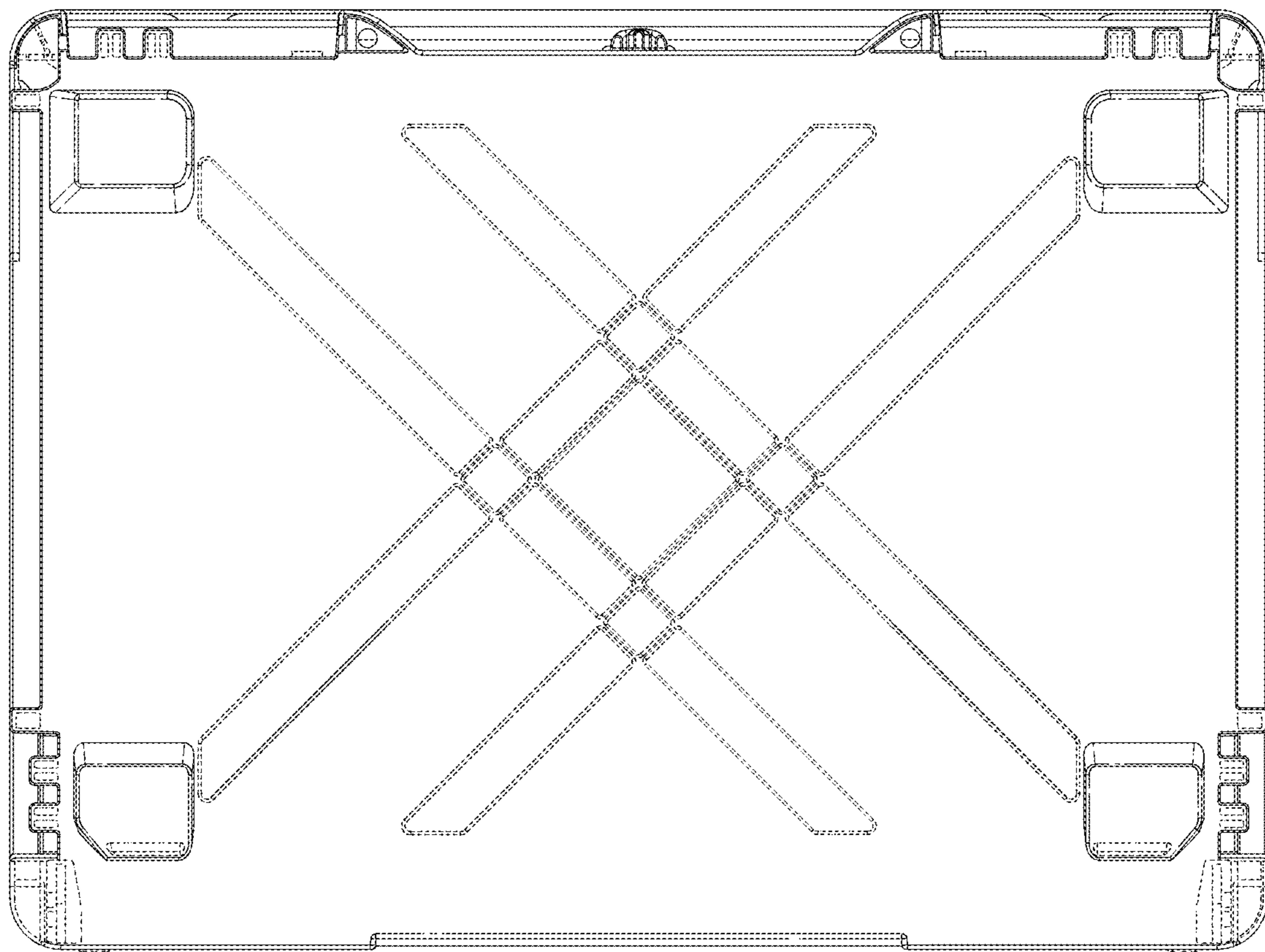


Fig. 21

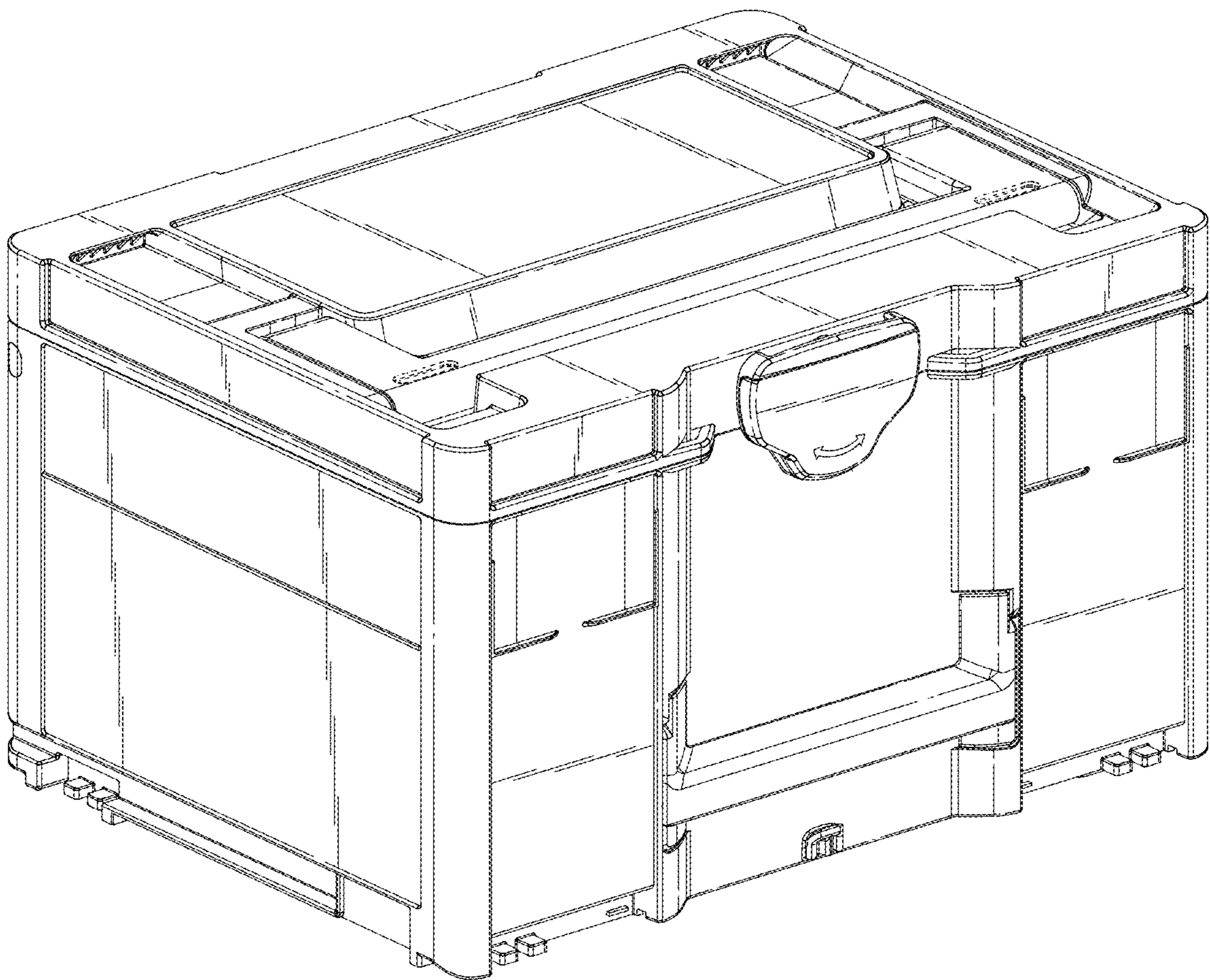


Fig. 22

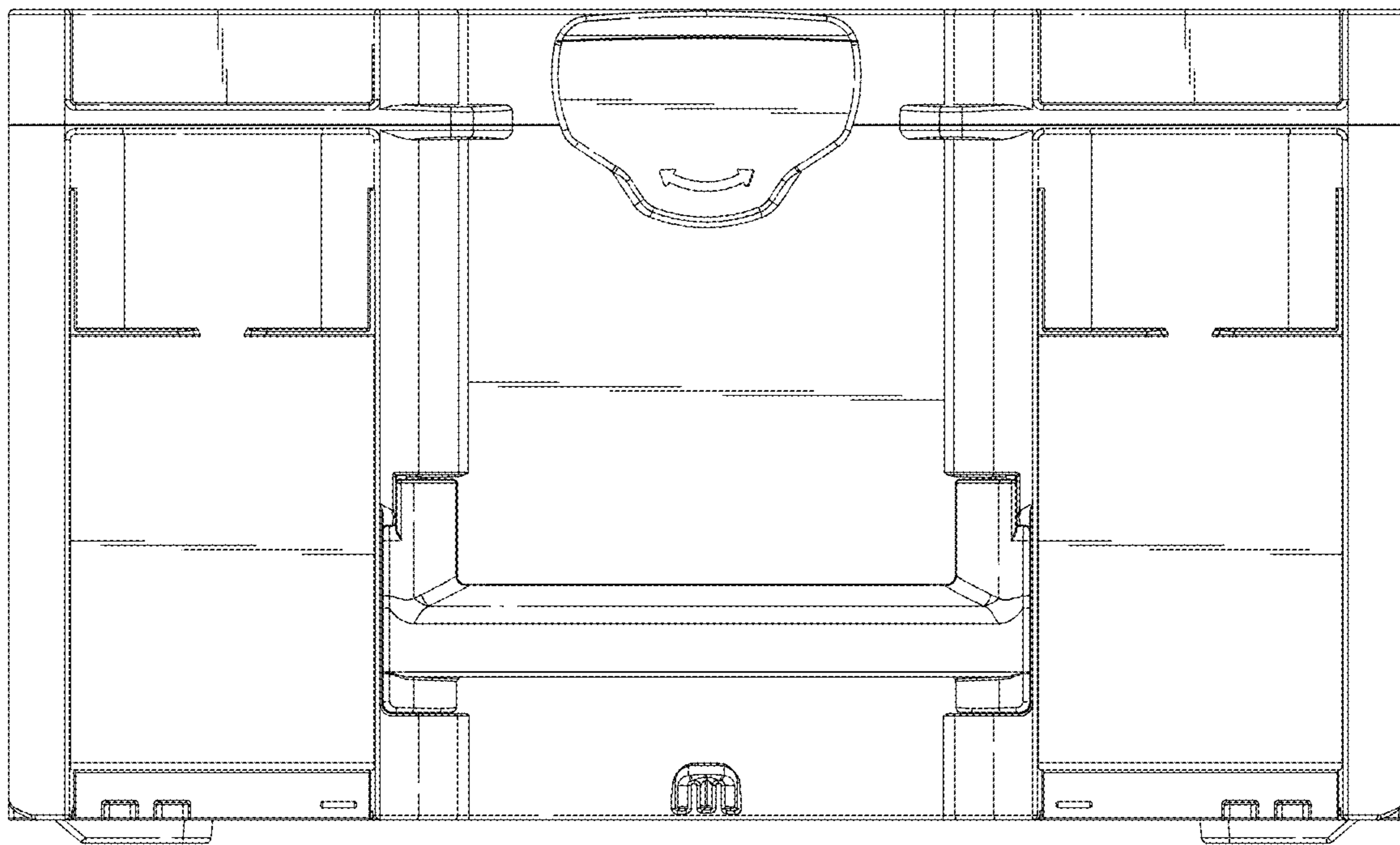


Fig. 23

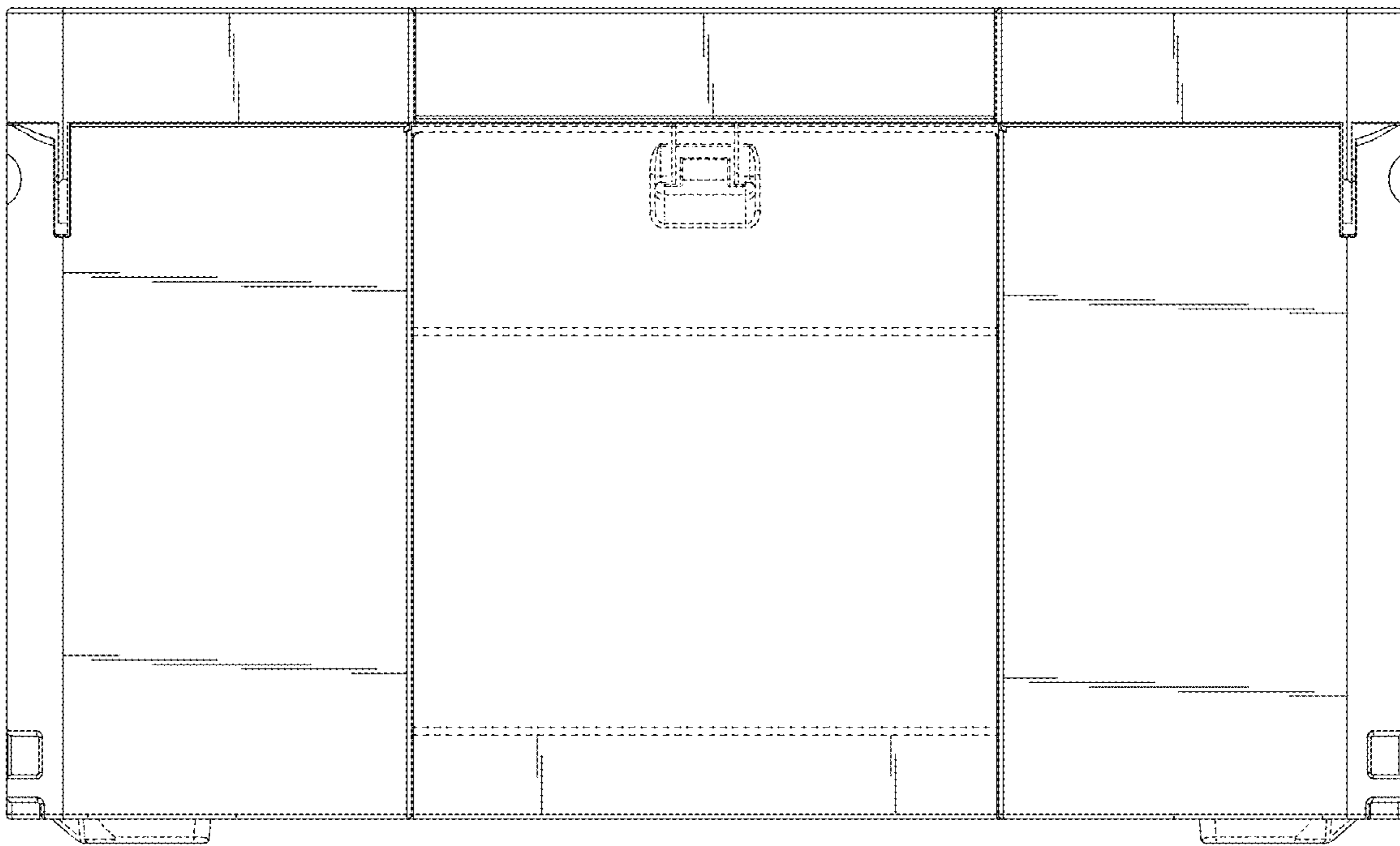


Fig. 24

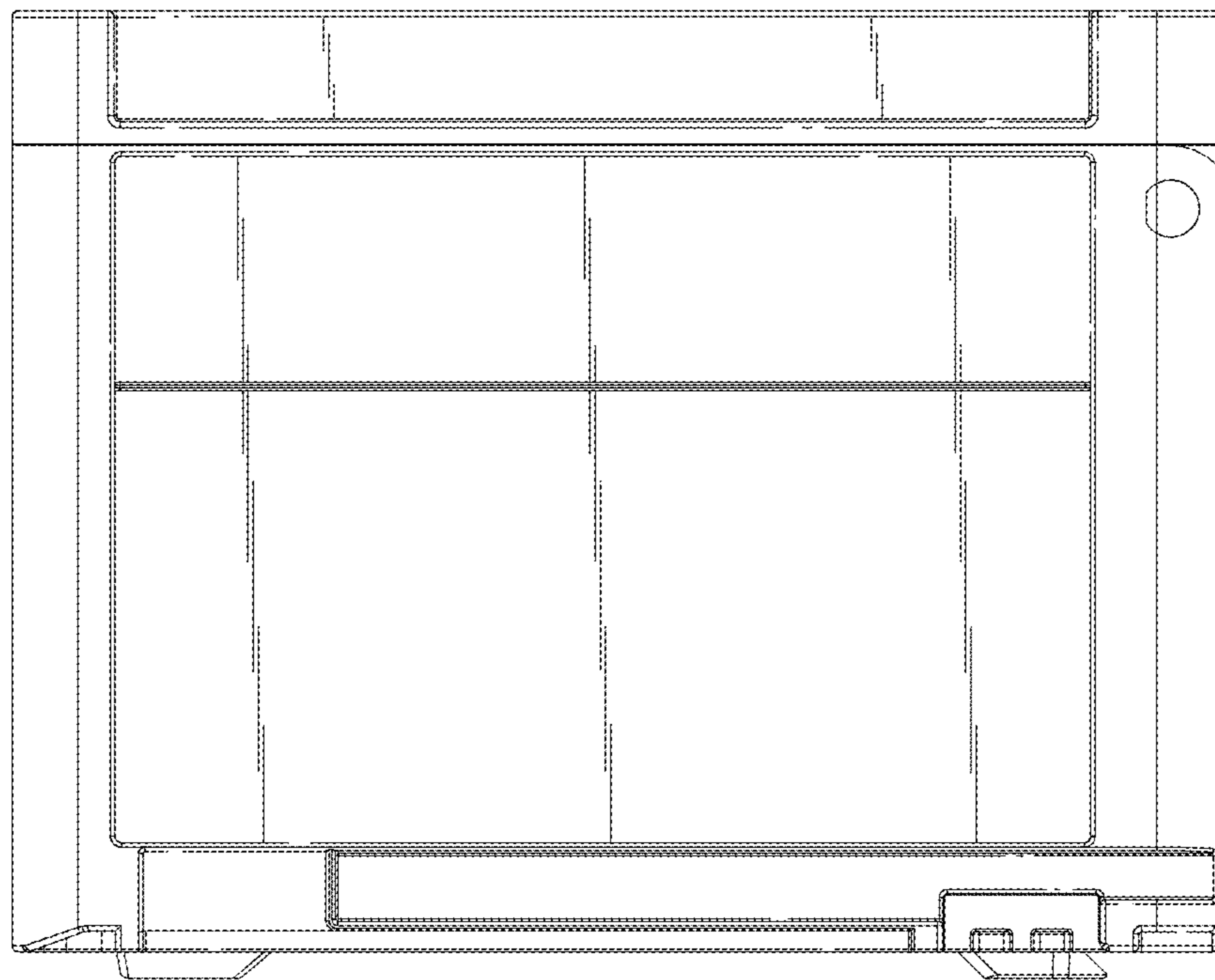


Fig. 25

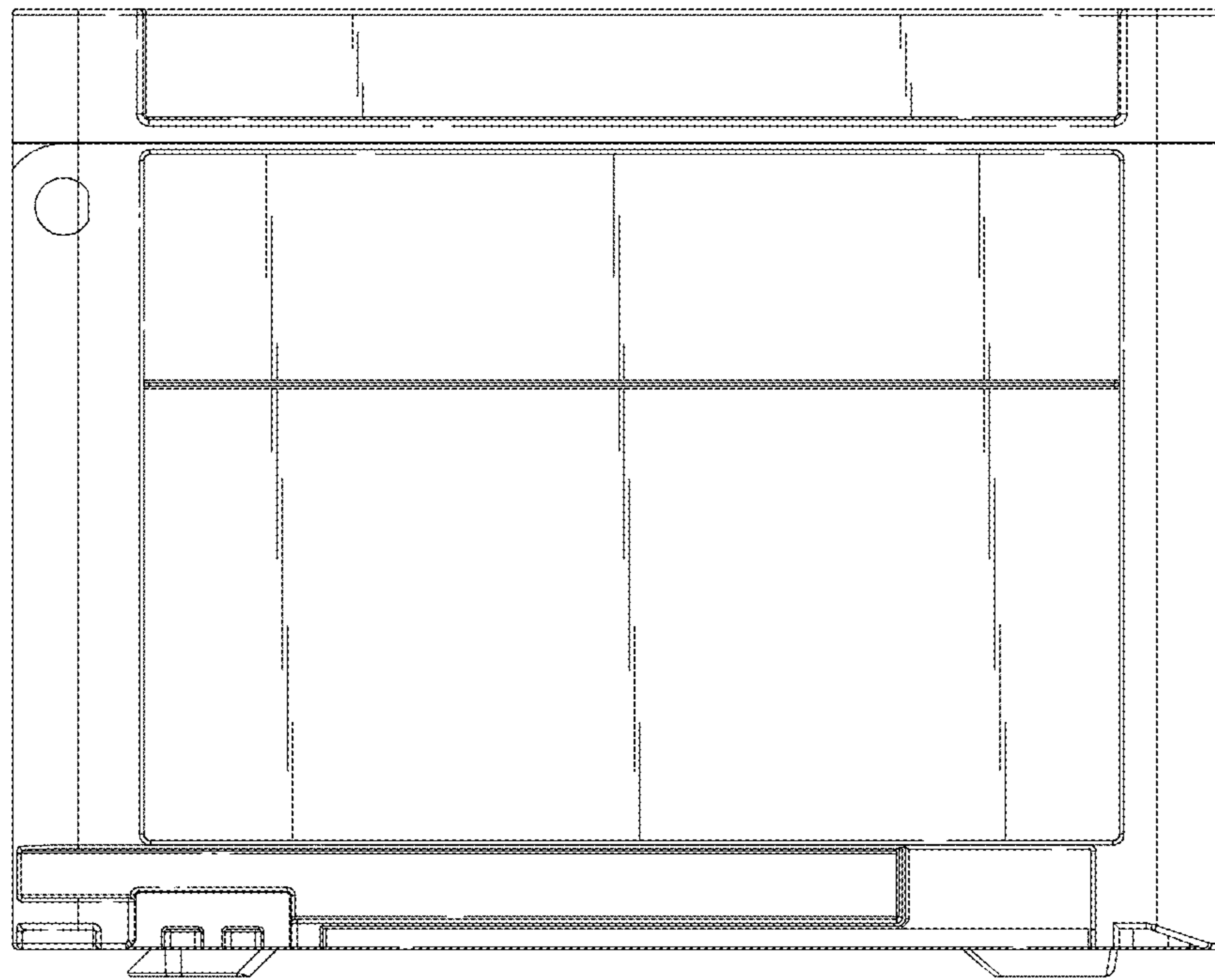


Fig. 26

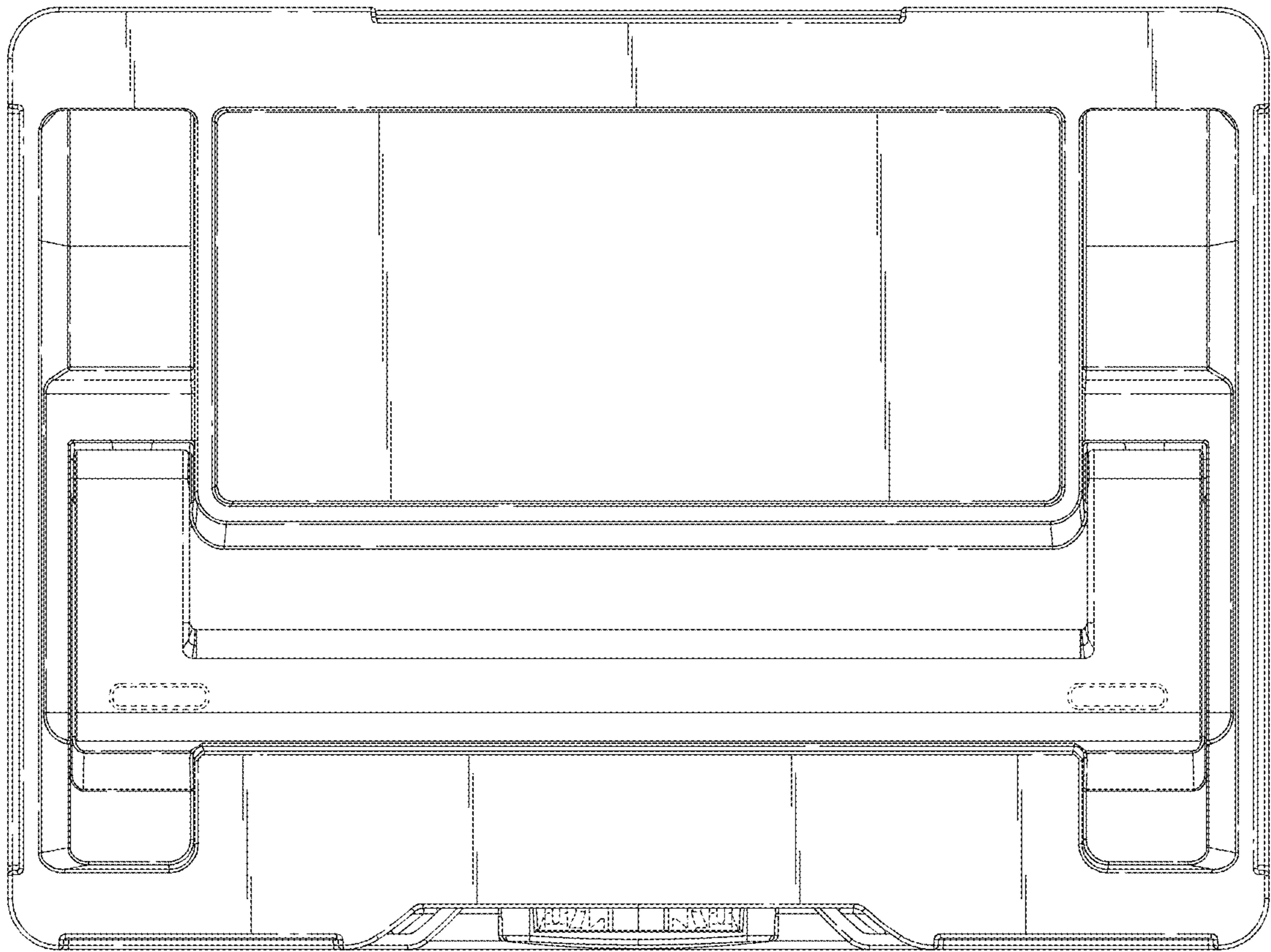


Fig. 27

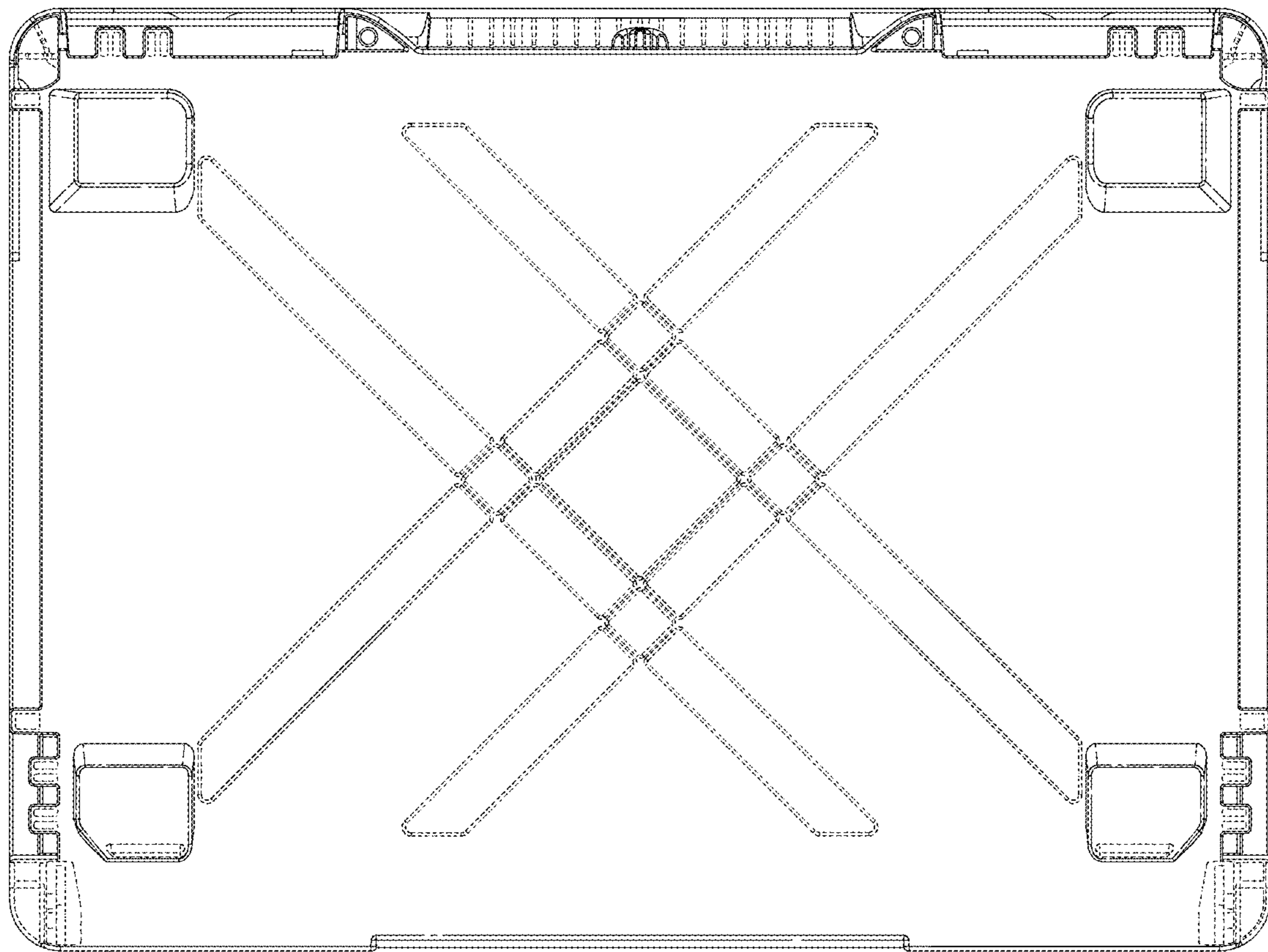


Fig. 28

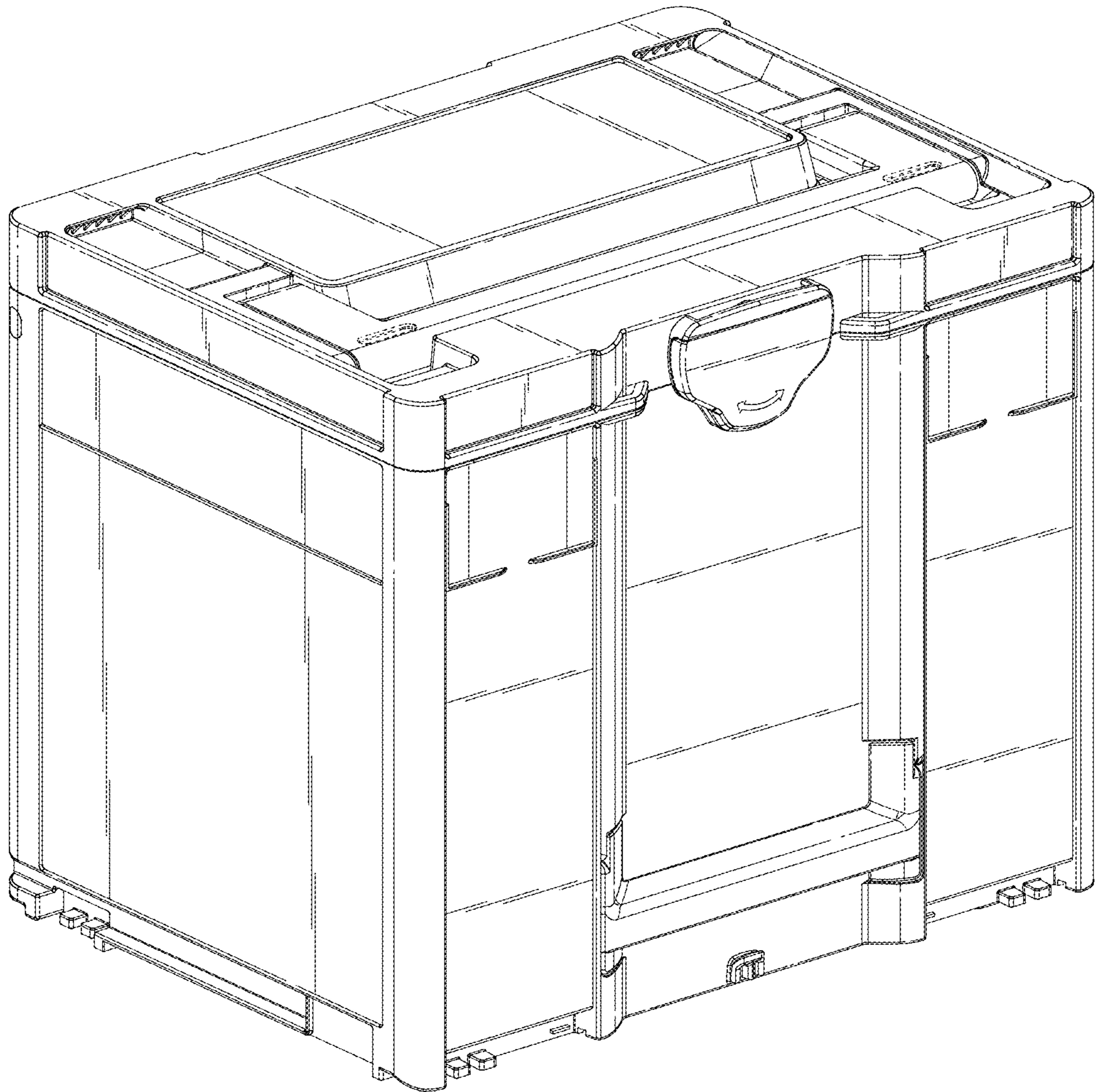


Fig. 29

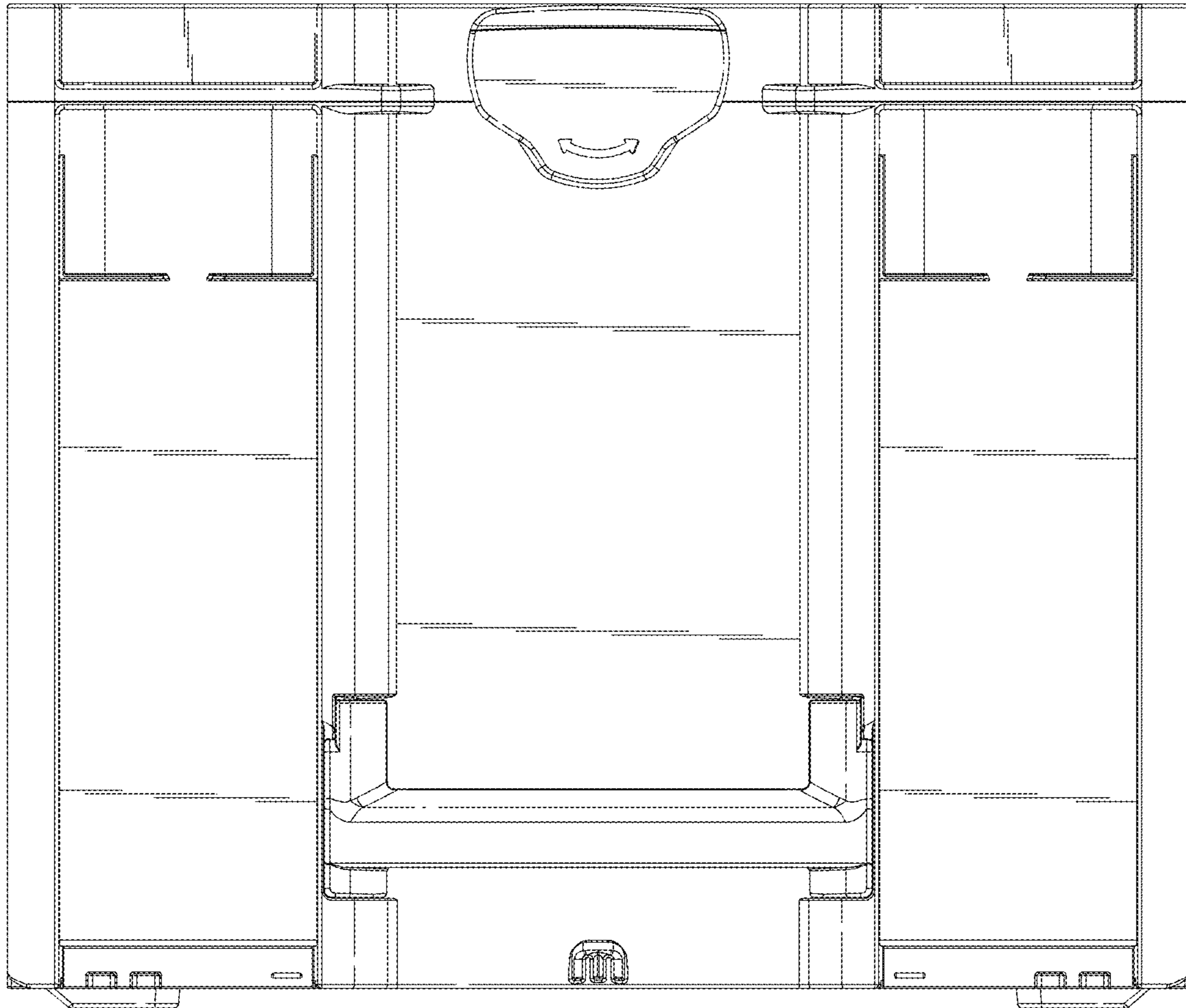


Fig. 30

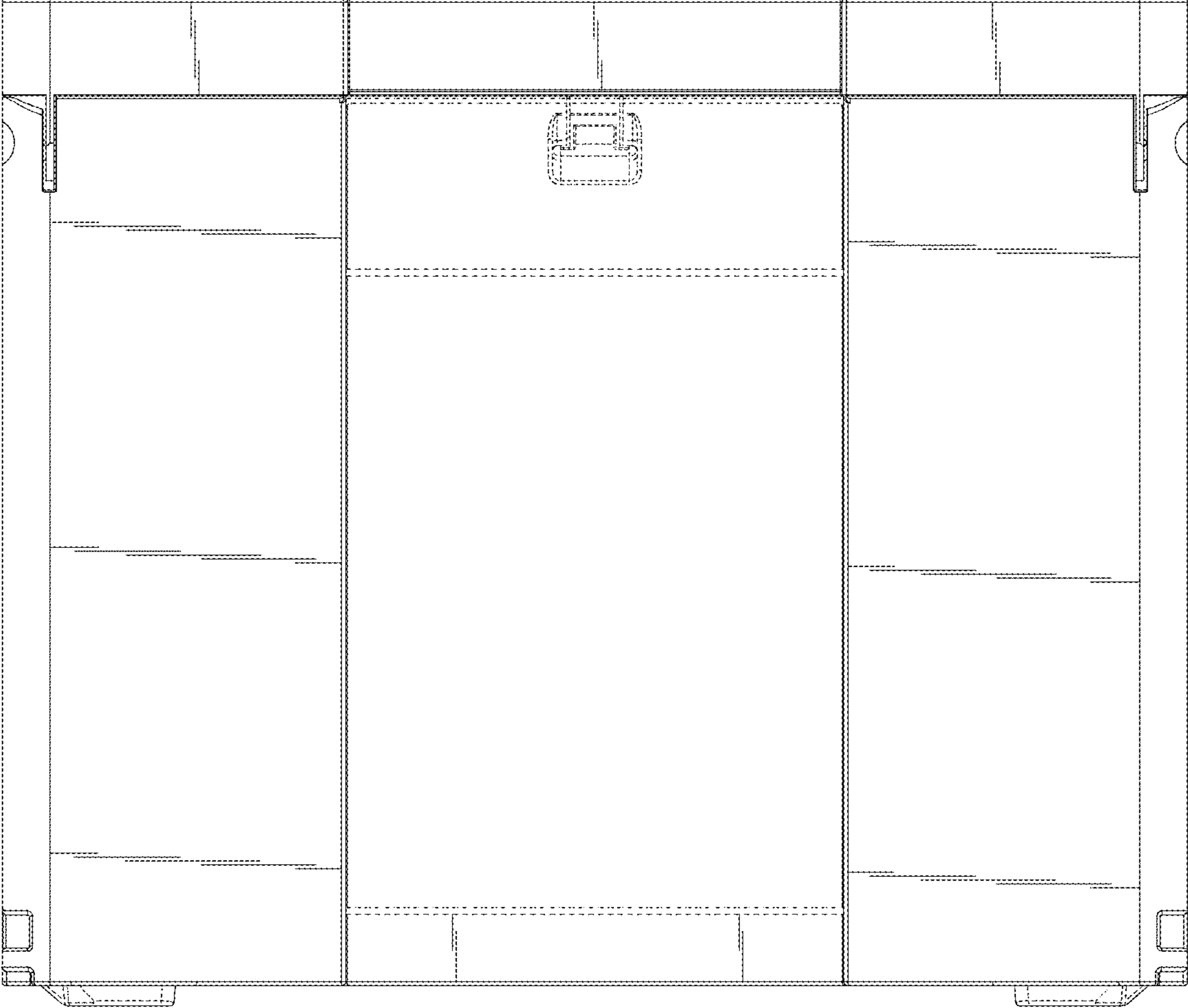


Fig. 31

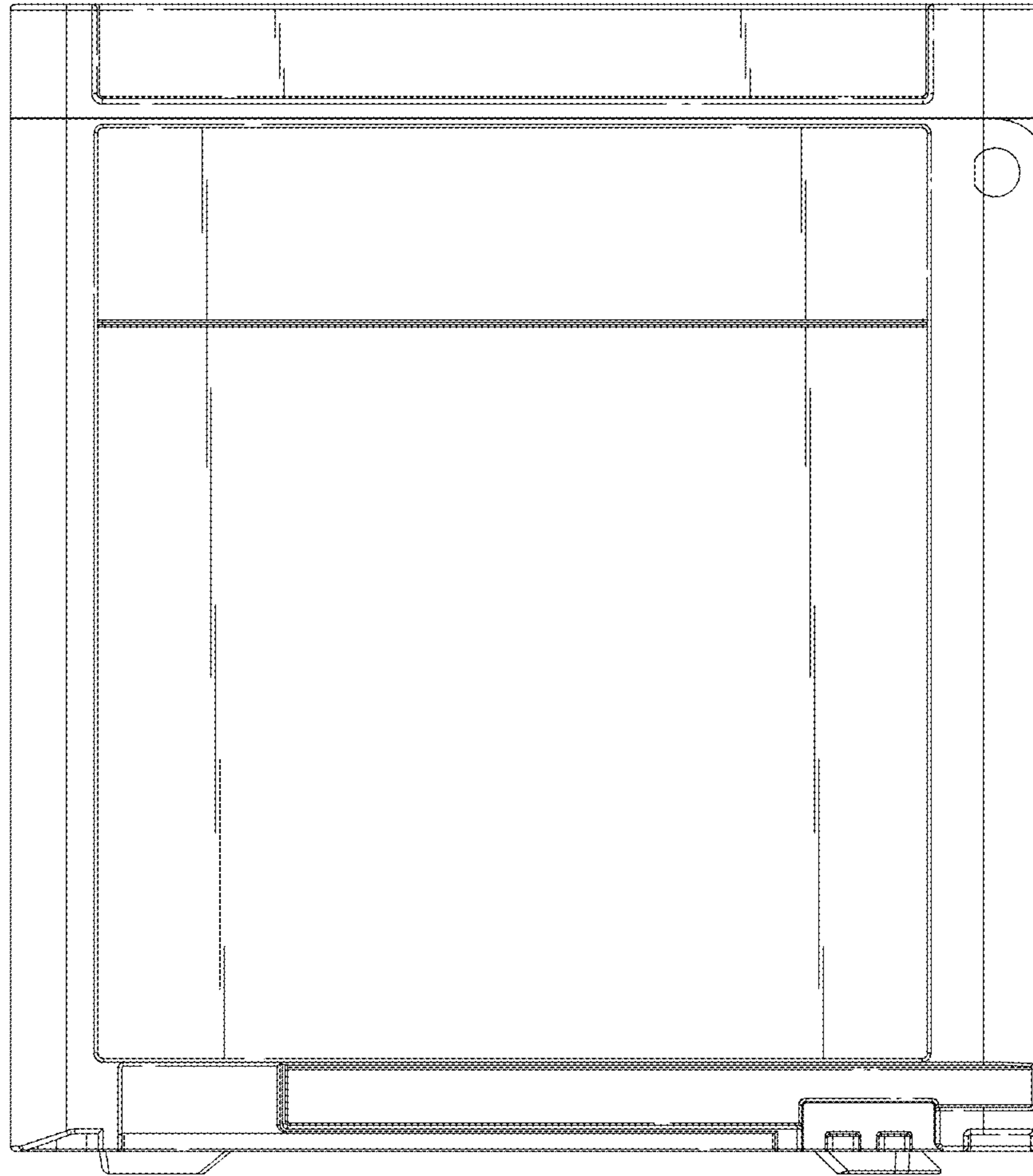


Fig. 32

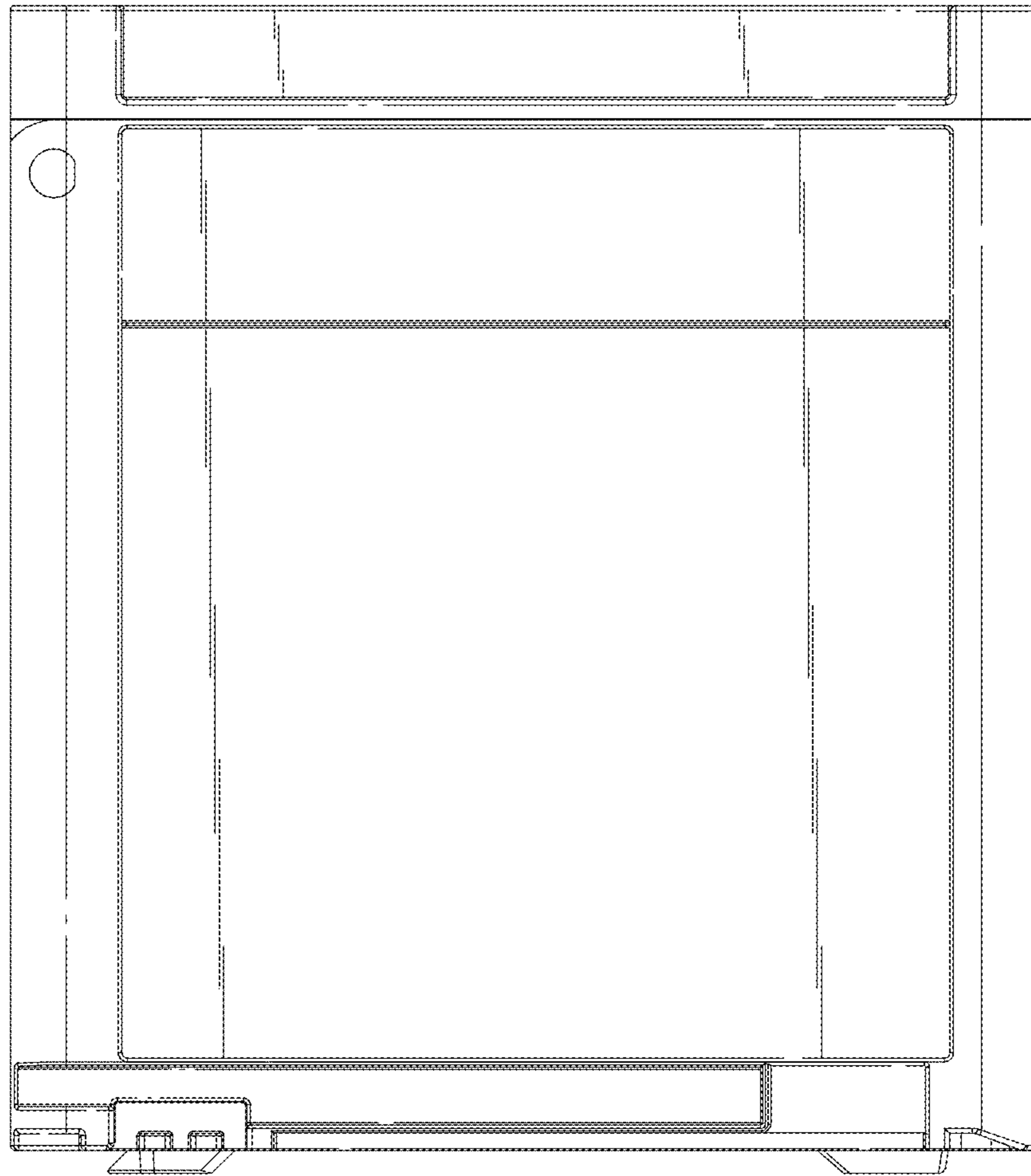


Fig. 33

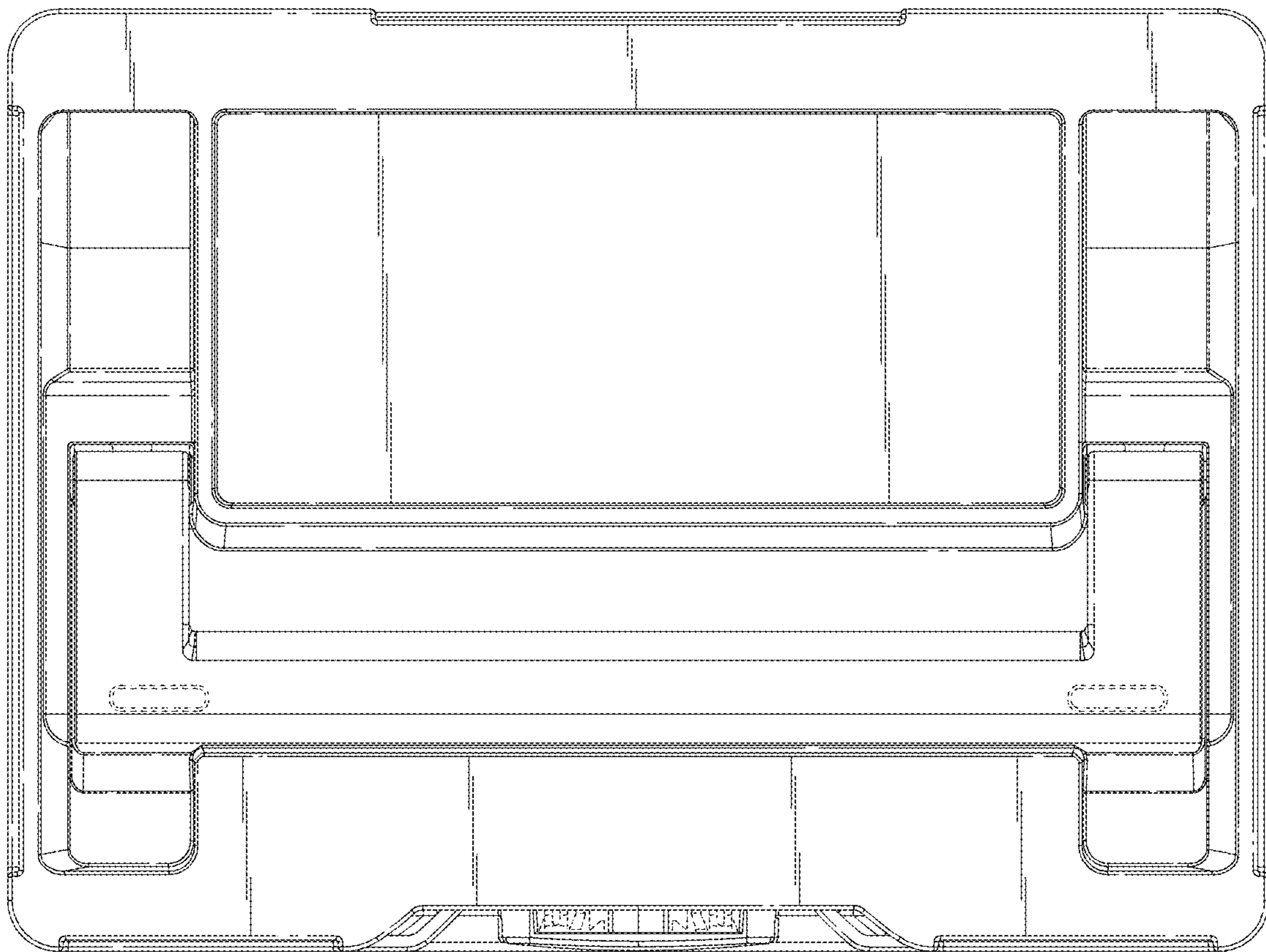


Fig. 34

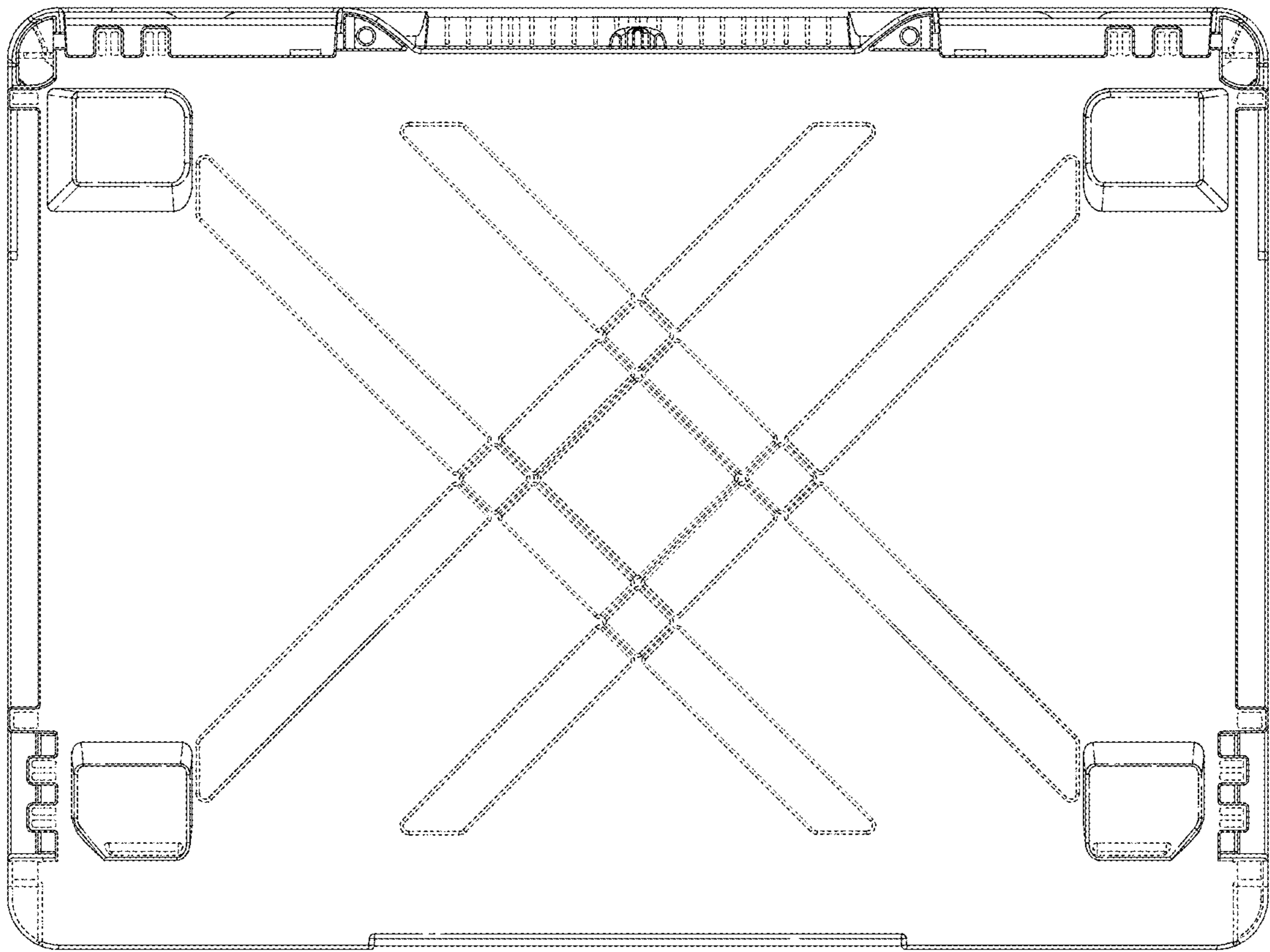


Fig. 35

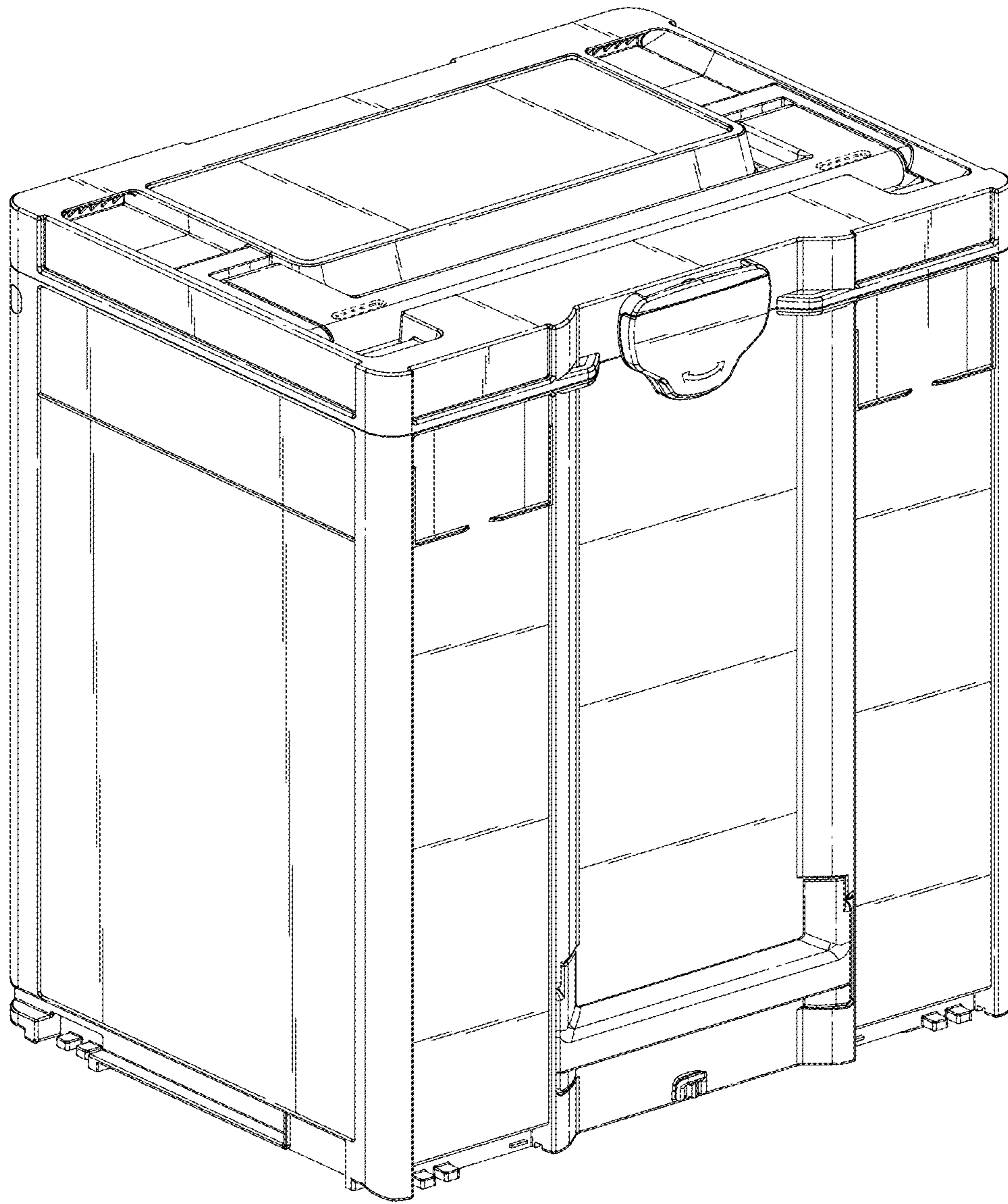


Fig. 36

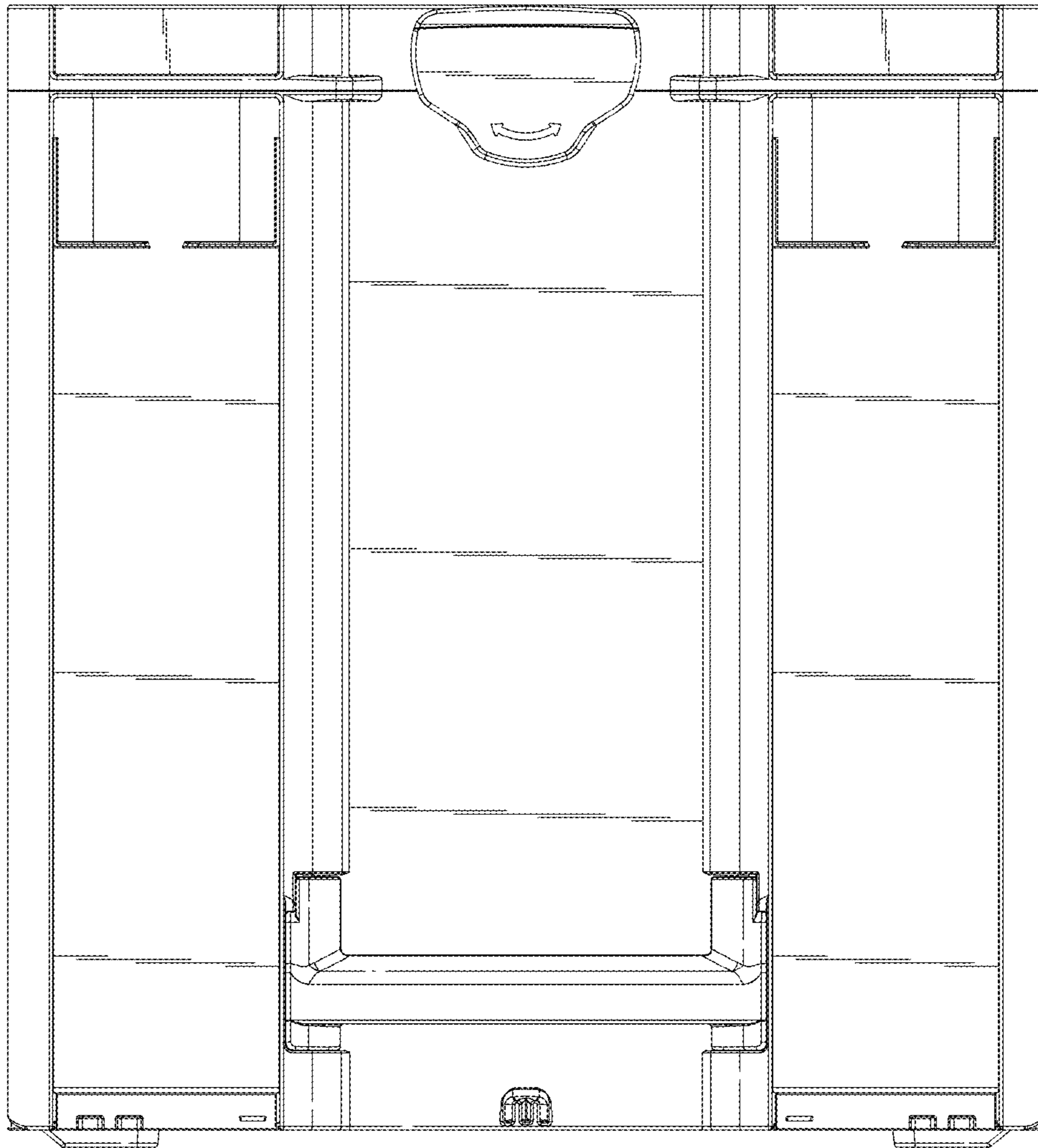


Fig. 37

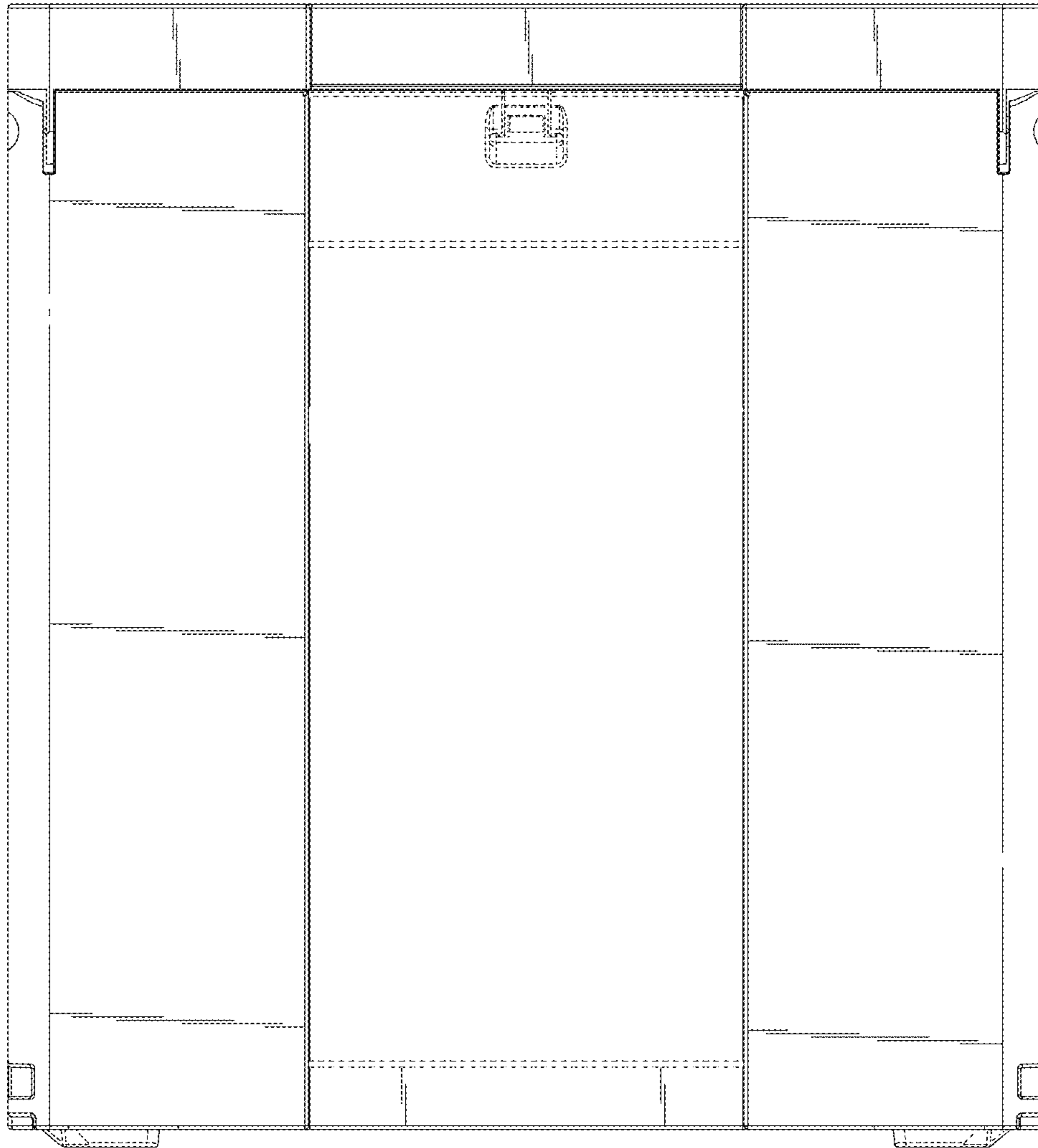


Fig. 38

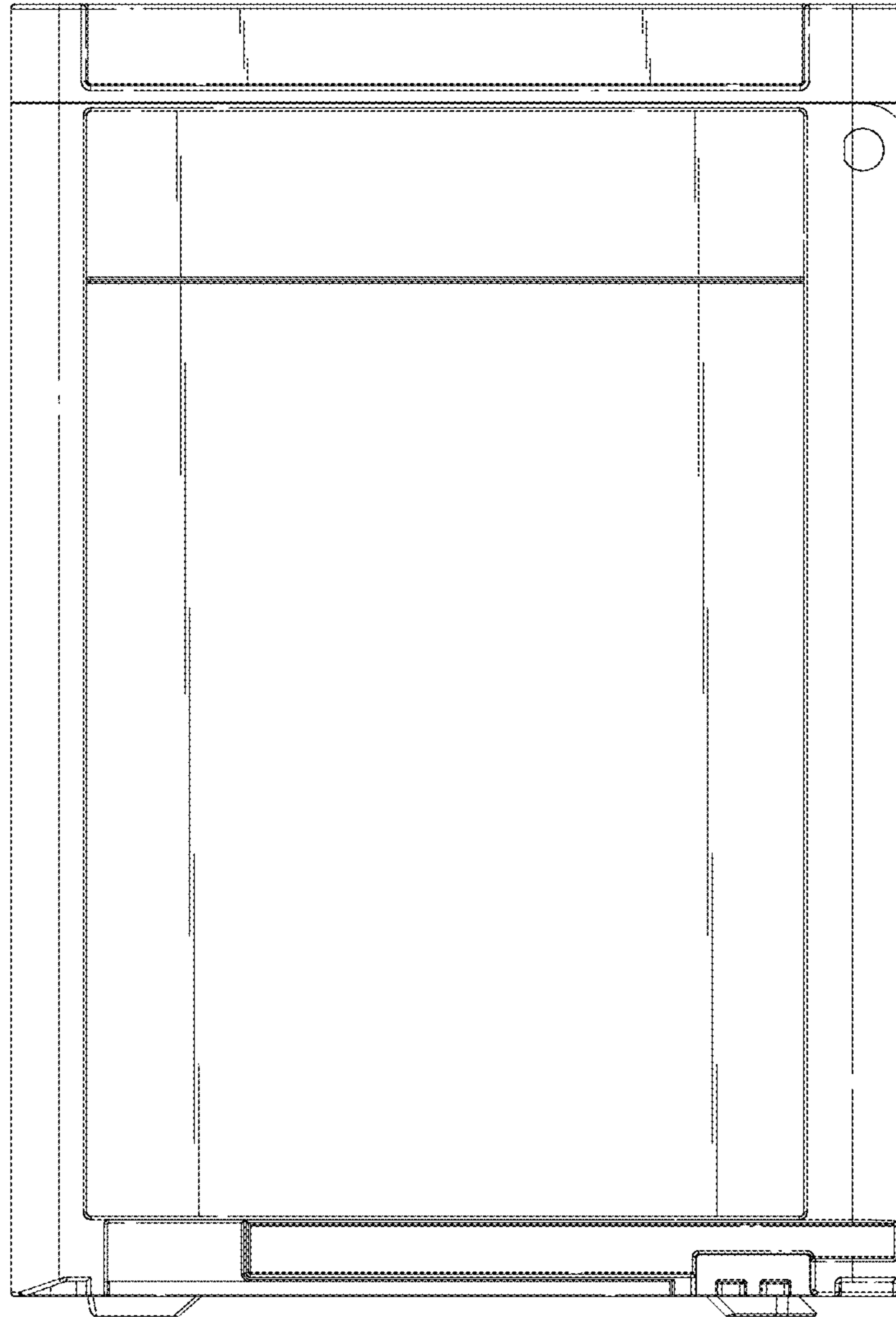


Fig. 39

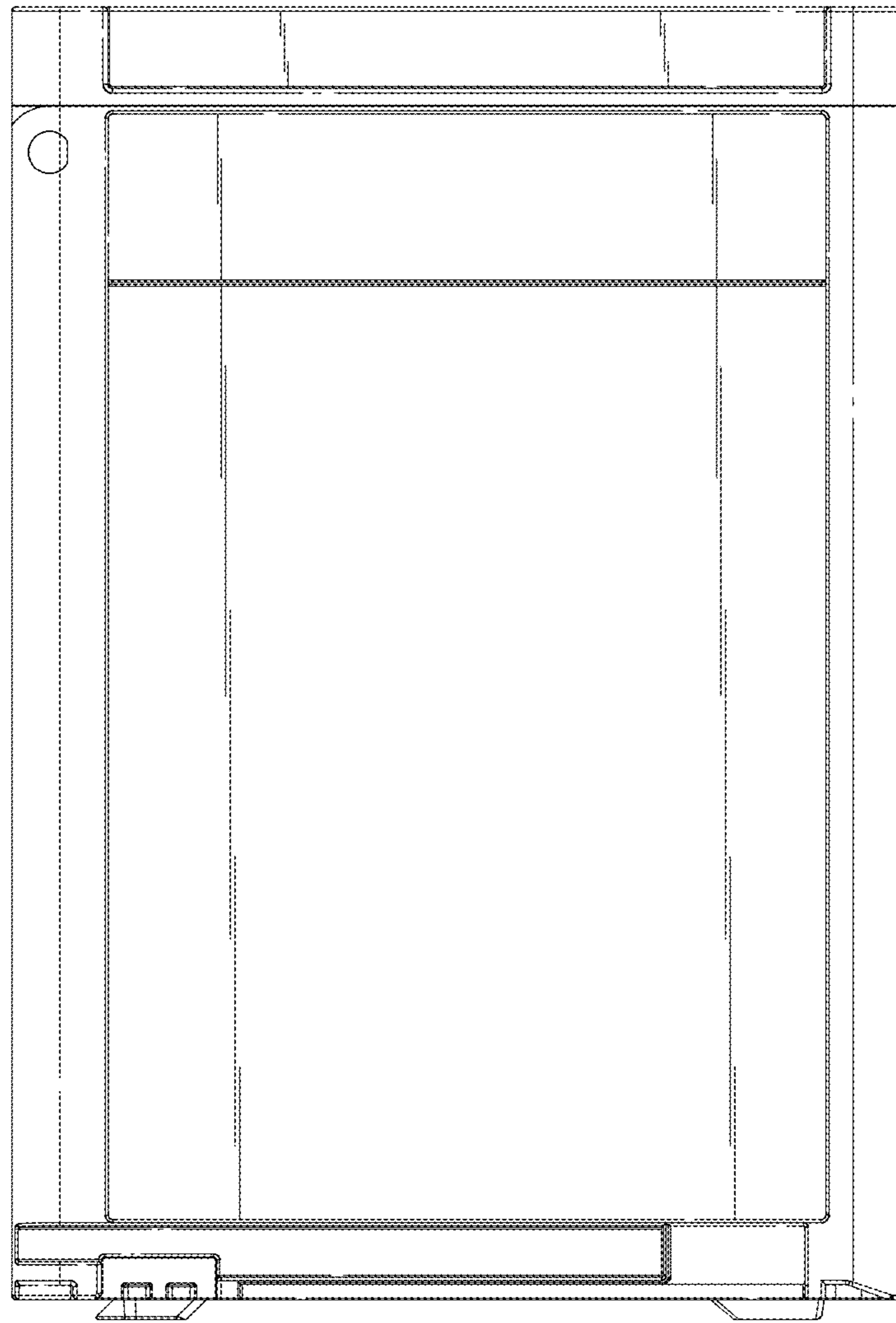


Fig. 40

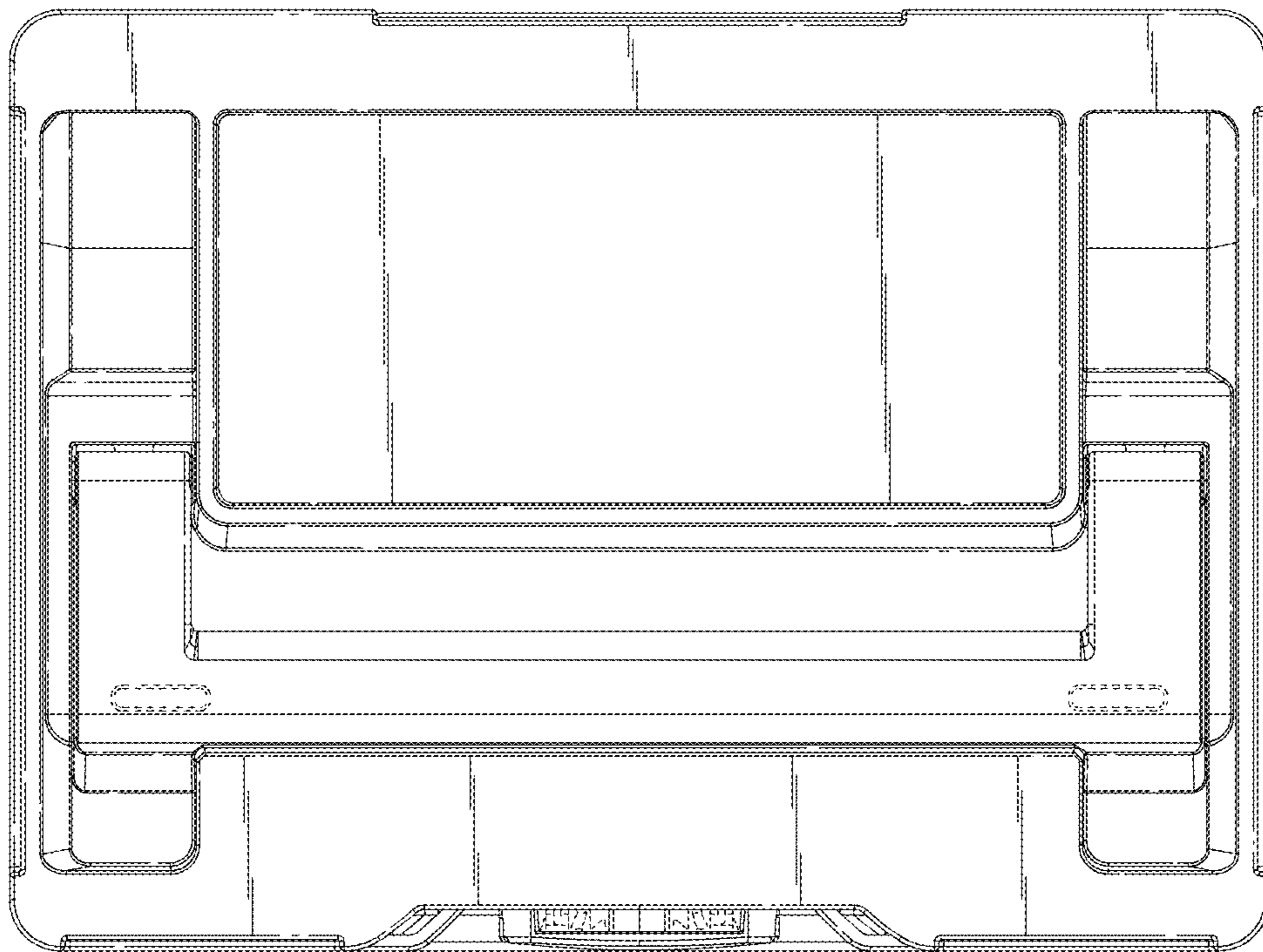


Fig. 41

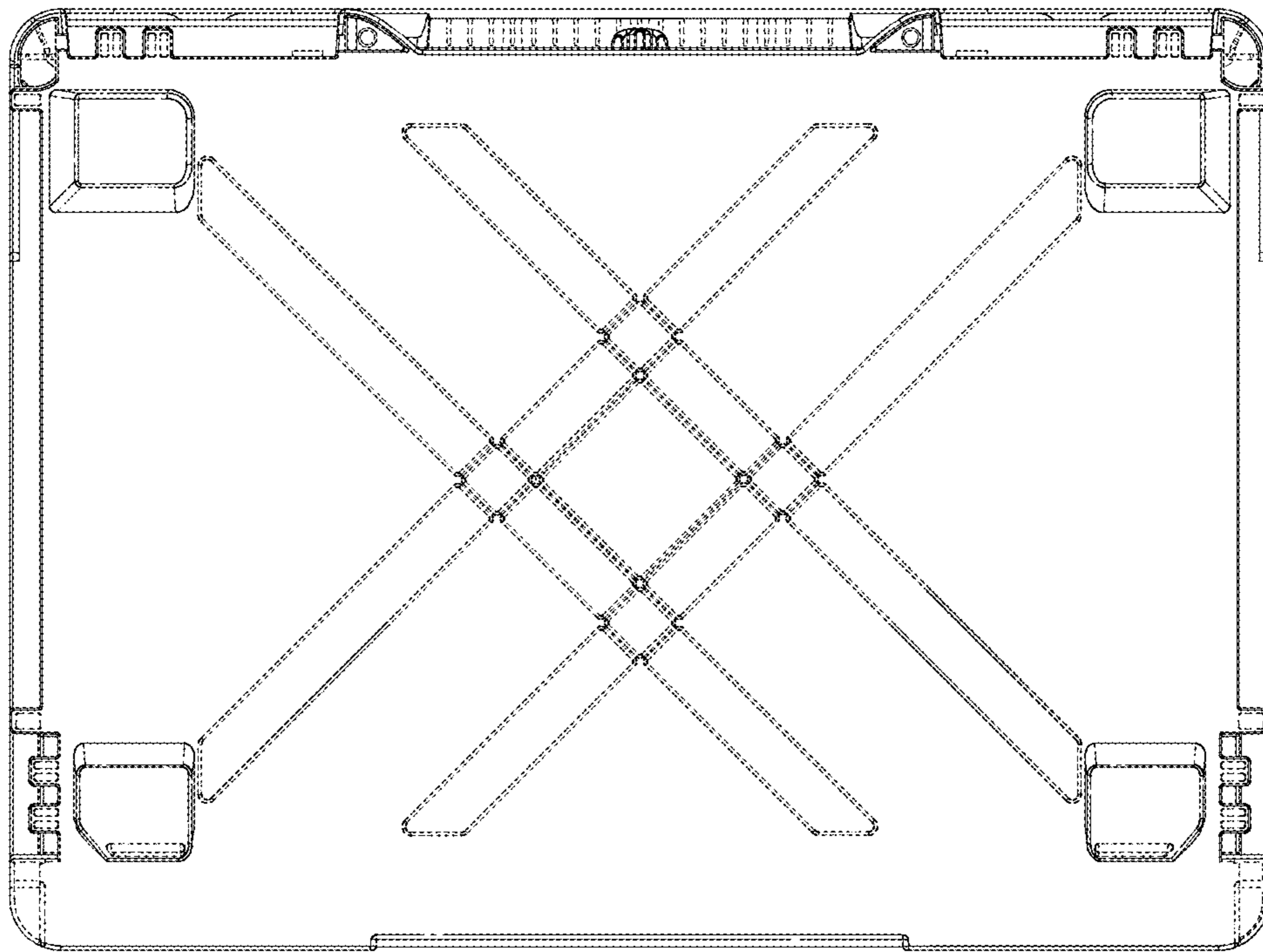


Fig. 42