



US00D906668S

(12) **United States Design Patent**
Abel

(10) **Patent No.:** **US D906,668 S**

(45) **Date of Patent:** **** Jan. 5, 2021**

(54) **HANDBAG**

(71) Applicant: **LOUIS VUITTON MALLETIER**,
Paris (FR)

(72) Inventor: **Antoine Abel**, Paris (FR)

(73) Assignee: **Louis Vuitton Malletier**, Paris (FR)

(**) Term: **15 Years**

(21) Appl. No.: **29/703,405**

(22) Filed: **Aug. 27, 2019**

(51) **LOC (13) Cl.** **03-01**

(52) **U.S. Cl.**
USPC **D3/246**

(58) **Field of Classification Search**
USPC D3/232-233, 240-243, 245-246
CPC A45C 1/024; A45C 3/06; A45C 3/08
See application file for complete search history.

(56) **References Cited**

U.S. PATENT DOCUMENTS

D659,393 S *	5/2012	Hermann	D3/245
D791,475 S *	7/2017	Hannon	D3/232
D799,209 S *	10/2017	Spaziani	D3/245
D831,345 S *	10/2018	Molnar	D3/233

* cited by examiner

Primary Examiner — Holly H Baynham

(74) *Attorney, Agent, or Firm* — Fross Zelnick Lehrman
& Zissu, P.C.; Charles T. J. Weigell, Esq.

(57) **CLAIM**

The ornamental design for a handbag, as shown and described.

DESCRIPTION

FIG. 1 is a perspective view of a handbag showing my new design;
FIG. 2 is a front view thereof;
FIG. 3 is a back view thereof;
FIG. 4 is a right side view thereof;
FIG. 5 is a left side view thereof;
FIG. 6 is a top view thereof; and,
FIG. 7 is a bottom view thereof.

The stitching in the drawings form no part of the claimed design.

1 Claim, 7 Drawing Sheets



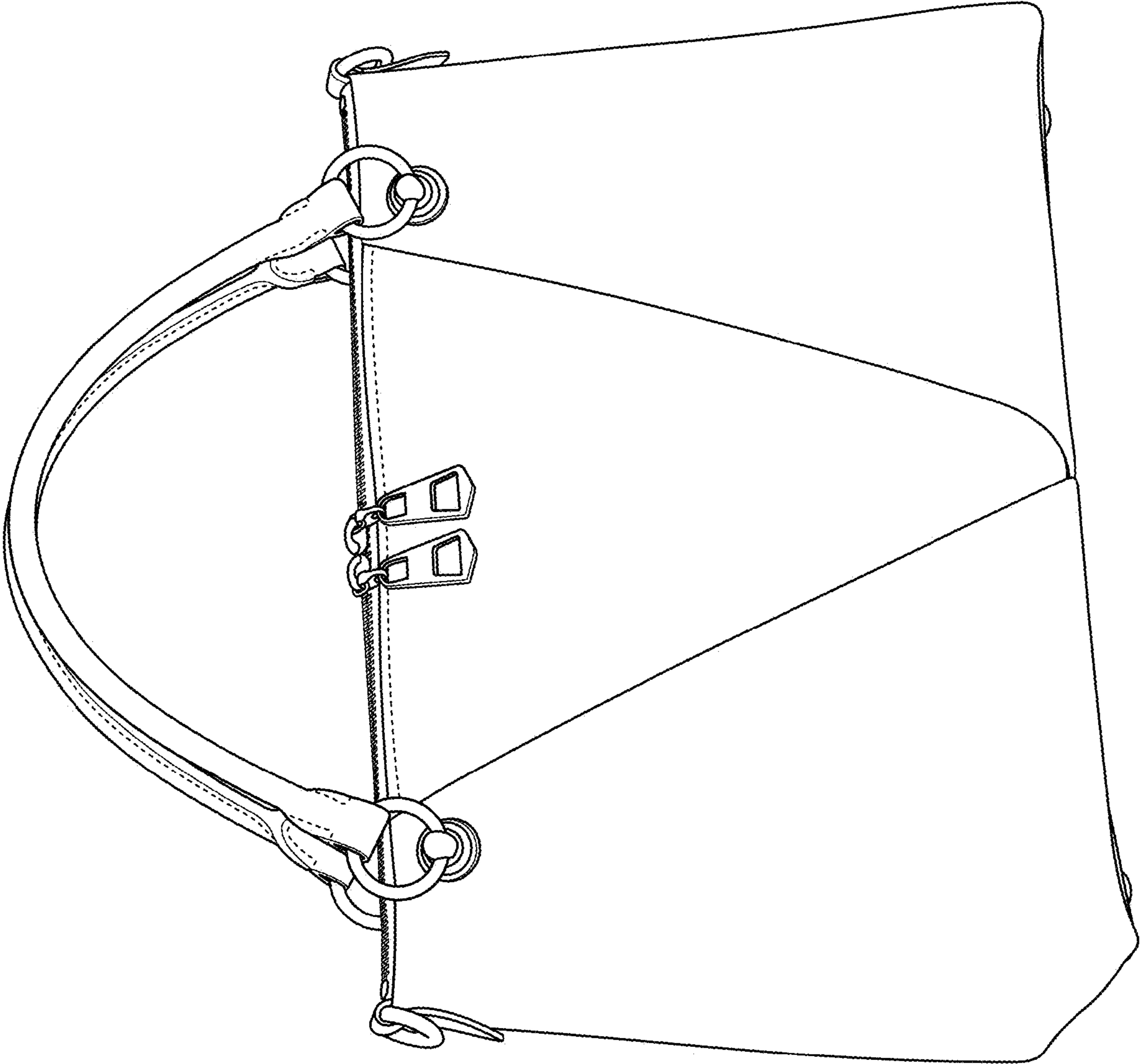


FIG. 1

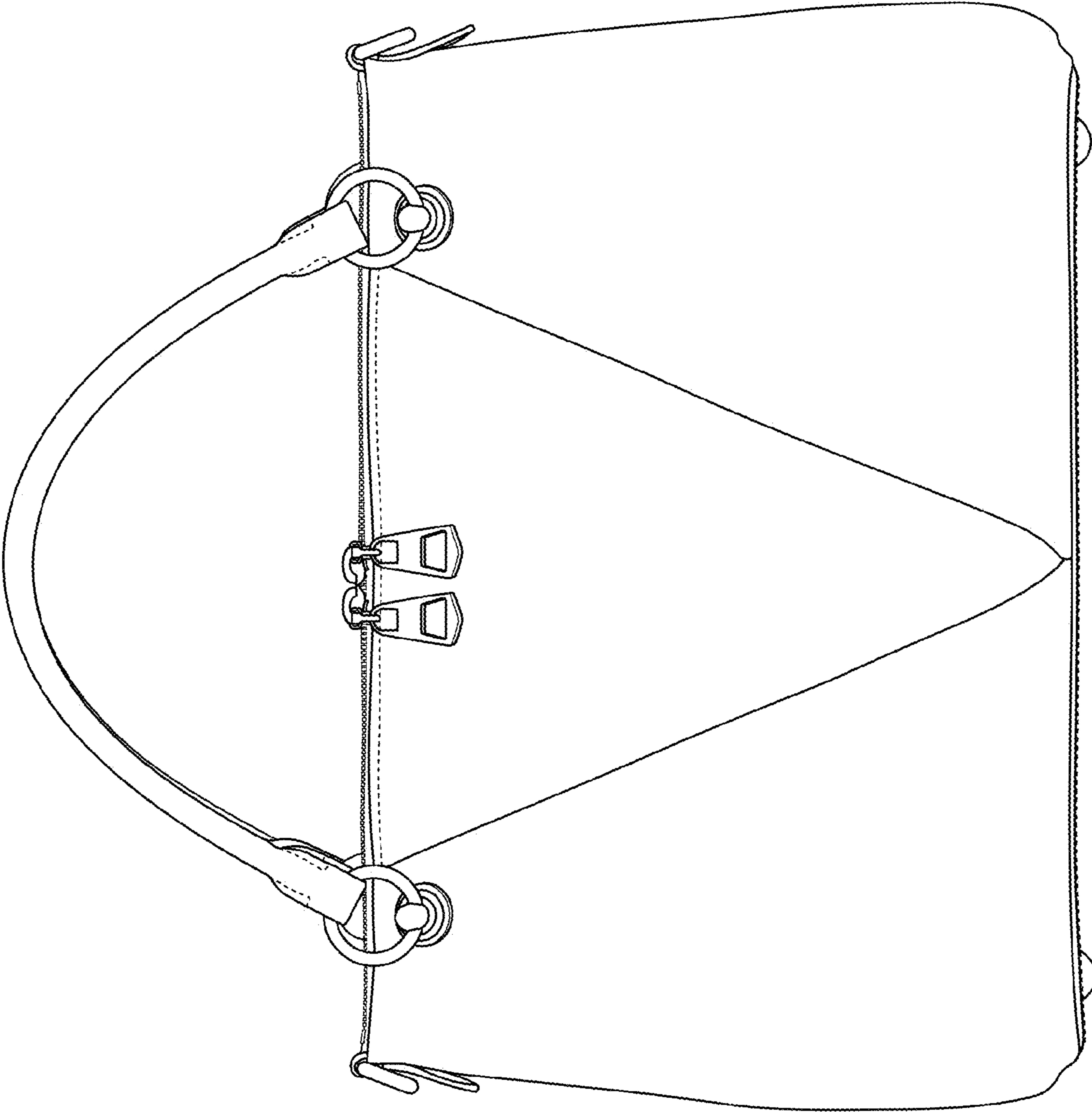


FIG. 2

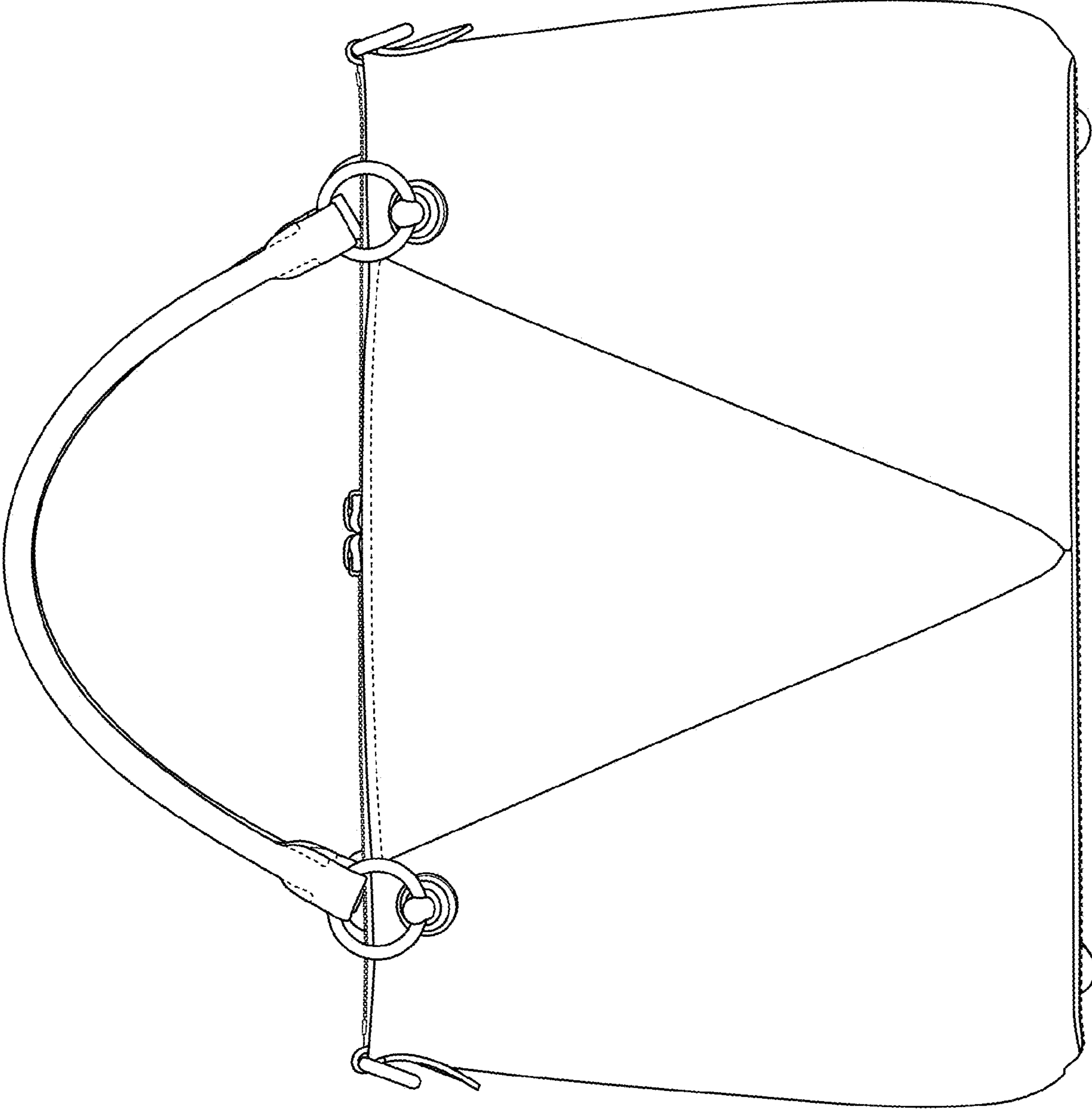


FIG. 3

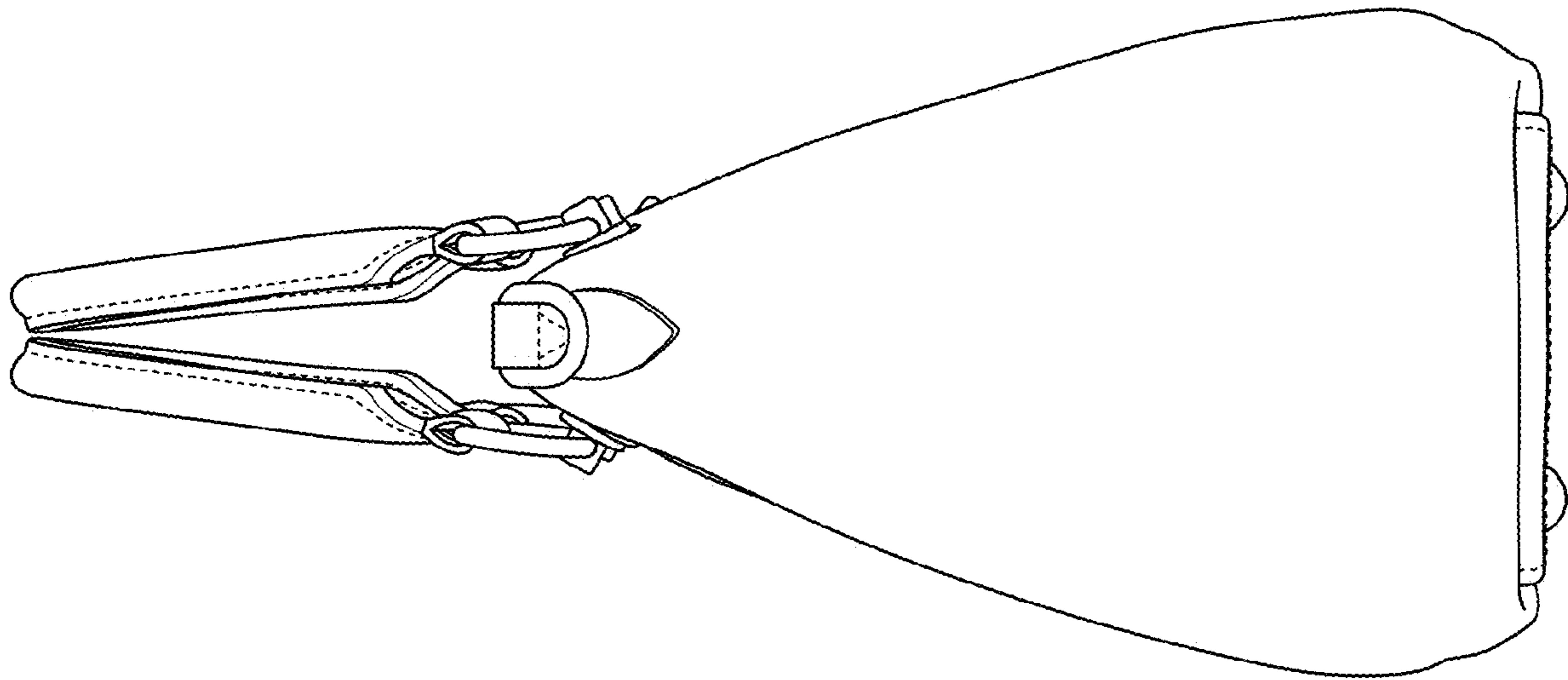


FIG. 4

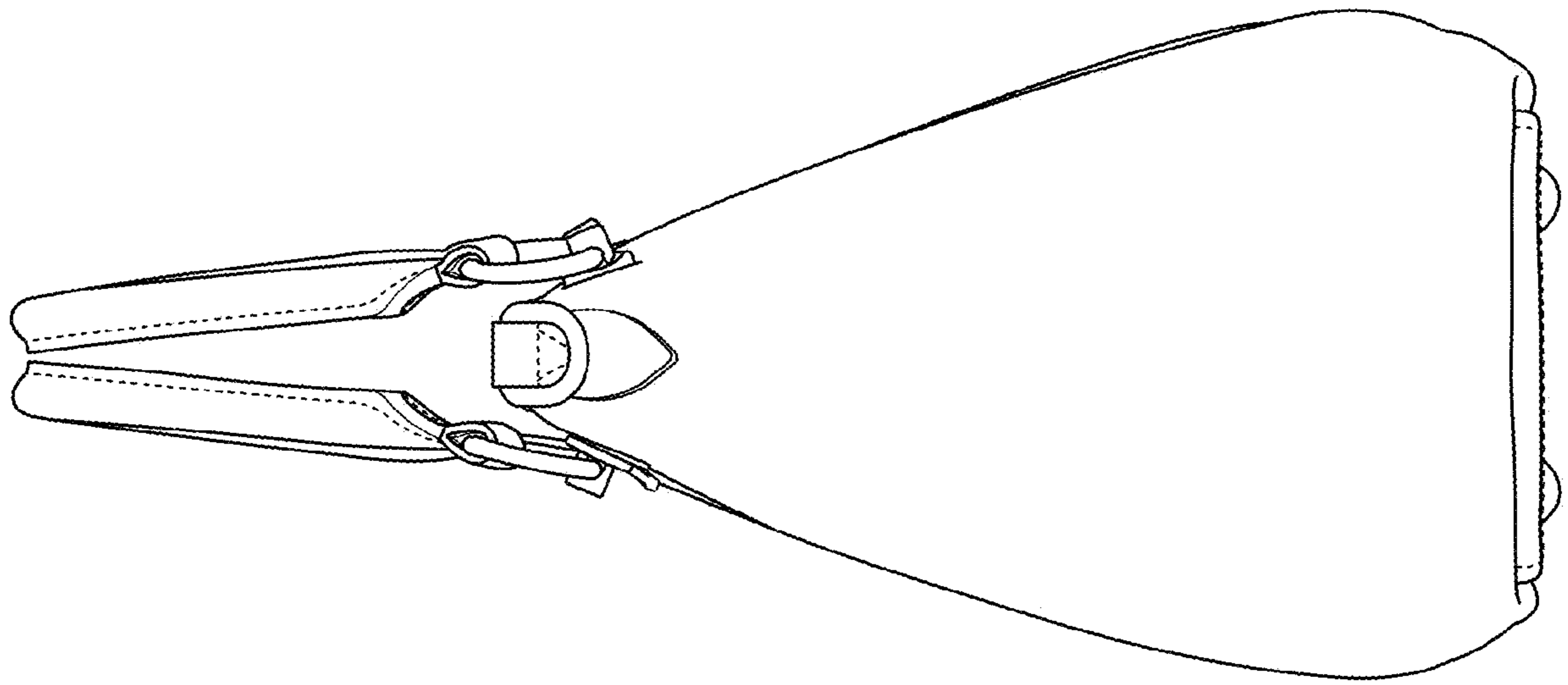


FIG. 5

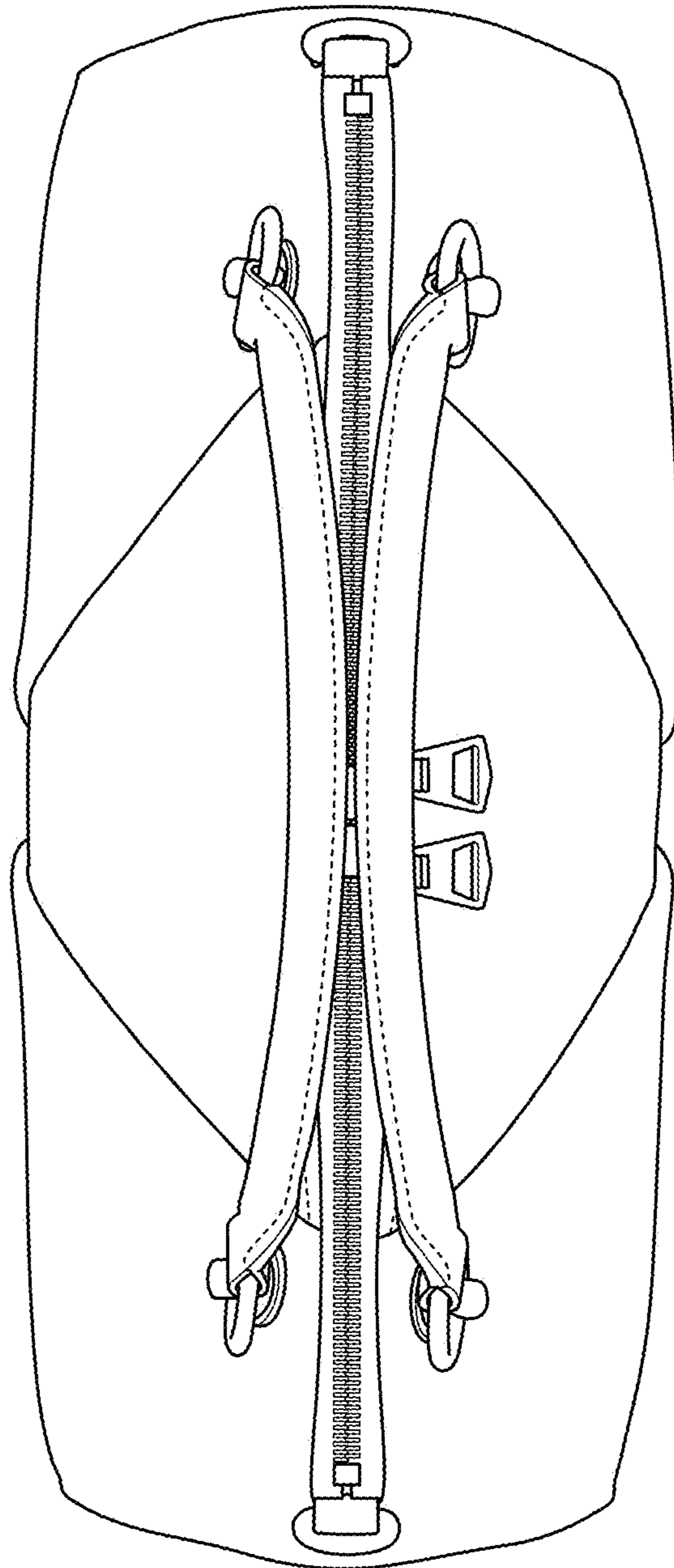


FIG. 6

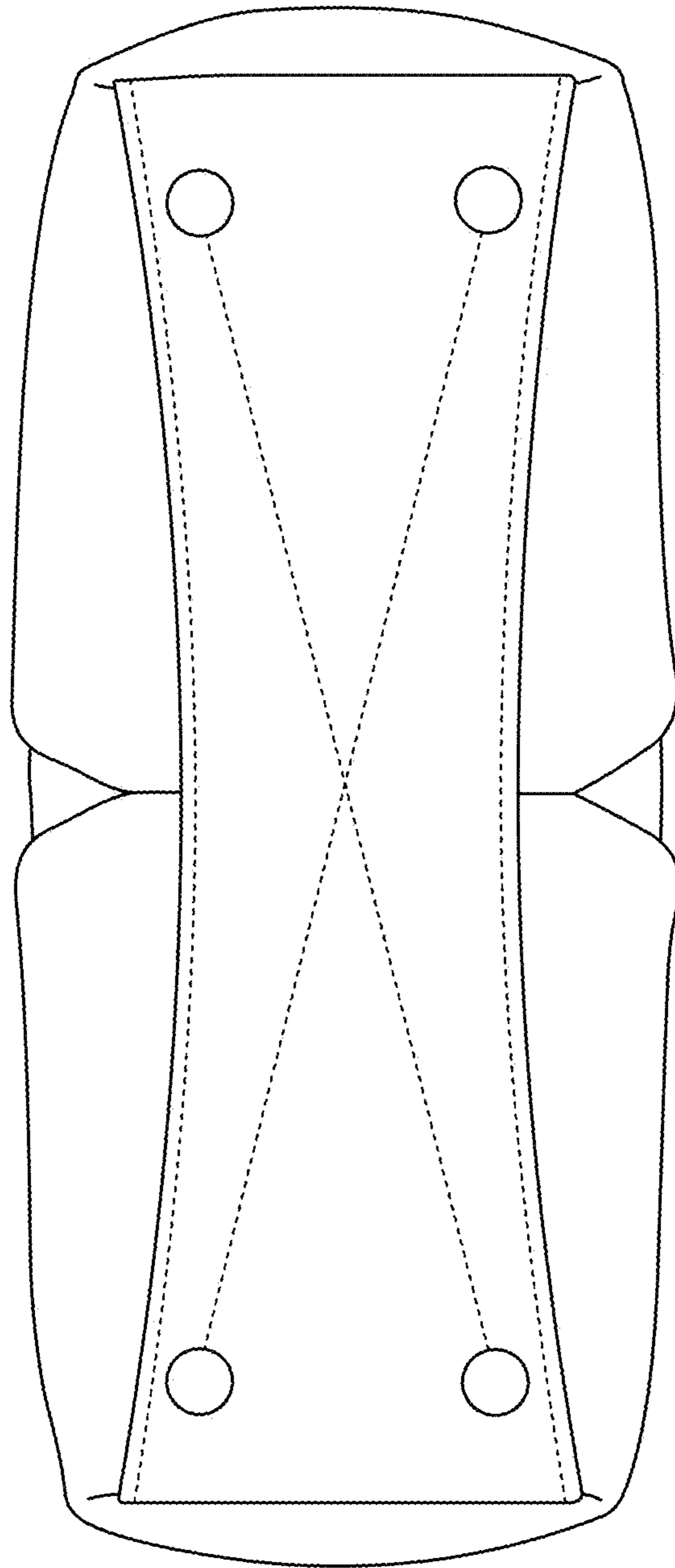


FIG. 7