



US00D906667S

(12) **United States Design Patent**  
**Tomasetta**

(10) **Patent No.:** **US D906,667 S**

(45) **Date of Patent:** **\*\* Jan. 5, 2021**

(54) **HANDBAG**

(71) Applicant: **Givenchy (Société Anonyme)**, Paris (FR)

(72) Inventor: **Marco Tomasetta**, Paris (FR)

(73) Assignee: **Givenchy (Société Anonyme)**, Paris (FR)

(\*\*) Term: **15 Years**

(21) Appl. No.: **29/702,705**

(22) Filed: **Aug. 21, 2019**

(30) **Foreign Application Priority Data**

Mar. 2, 2019 (EM) ..... 006273074

(51) **LOC (13) Cl.** ..... **03-01**

(52) **U.S. Cl.**  
USPC ..... **D3/243**

(58) **Field of Classification Search**  
USPC ..... D3/232-233, 240-243, 245-246  
CPC ..... A45C 1/024; A45C 3/06; A45C 3/08  
See application file for complete search history.

(56) **References Cited**

U.S. PATENT DOCUMENTS

D688,450 S *	8/2013	Philo .....	D3/243
D809,789 S *	2/2018	Fusi .....	D3/243
D838,103 S *	1/2019	Philo .....	D3/243
D855,975 S *	8/2019	Fusi .....	D3/232
D857,382 S *	8/2019	Fusi .....	D3/232

\* cited by examiner

*Primary Examiner* — Holly H Baynham

(74) *Attorney, Agent, or Firm* — Cantor Colburn LLP

(57) **CLAIM**

The ornamental design for a handbag, as shown and described.

**DESCRIPTION**

FIG. 1 is a top, front, left perspective view of a handbag showing my new design;  
FIG. 2 is a front elevation view thereof;  
FIG. 3 is a rear elevation view thereof;  
FIG. 4 is right side elevation view thereof;  
FIG. 5 is a left side elevation view thereof;  
FIG. 6 is a bottom plan view thereof; and,  
FIG. 7 is a top plan view thereof.

**1 Claim, 7 Drawing Sheets**





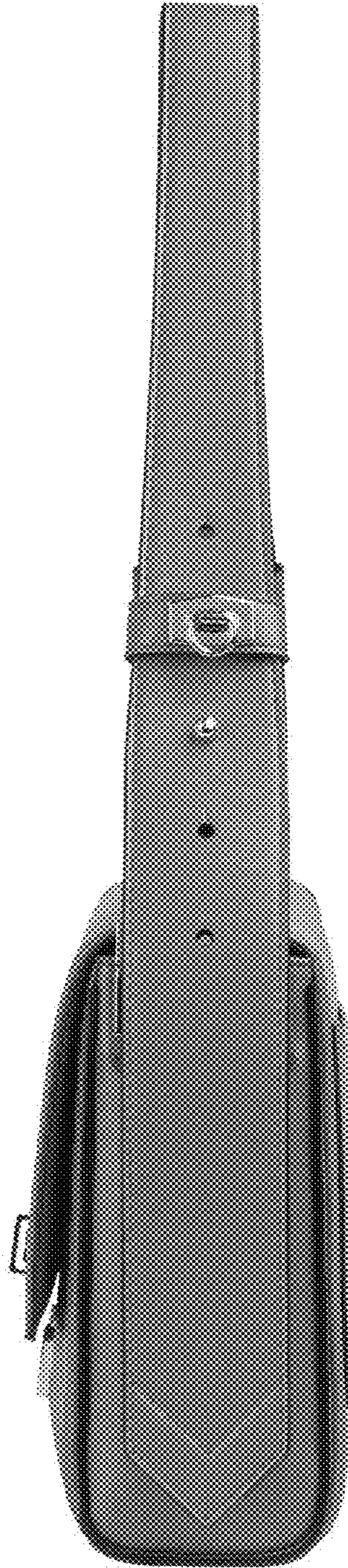
**FIG. 1**



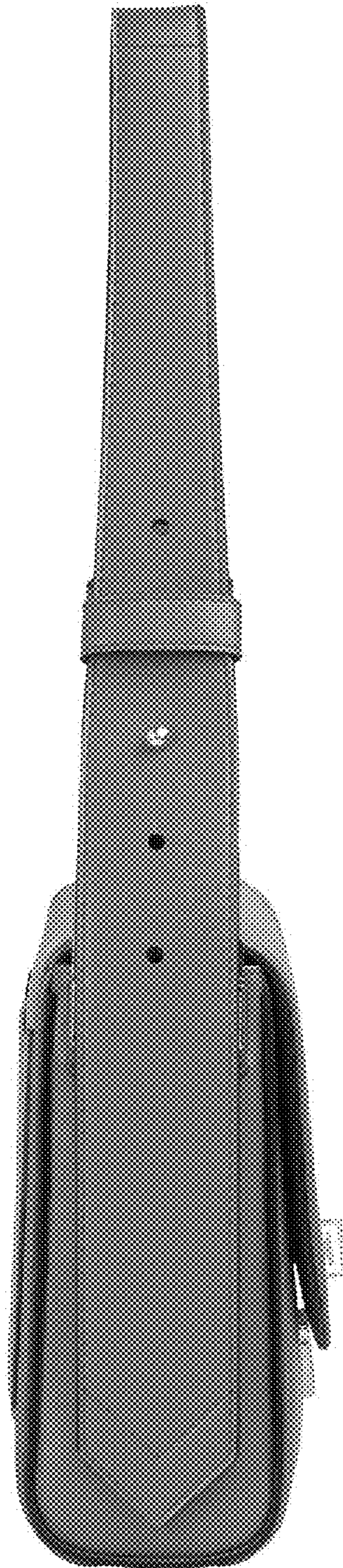
**FIG. 2**



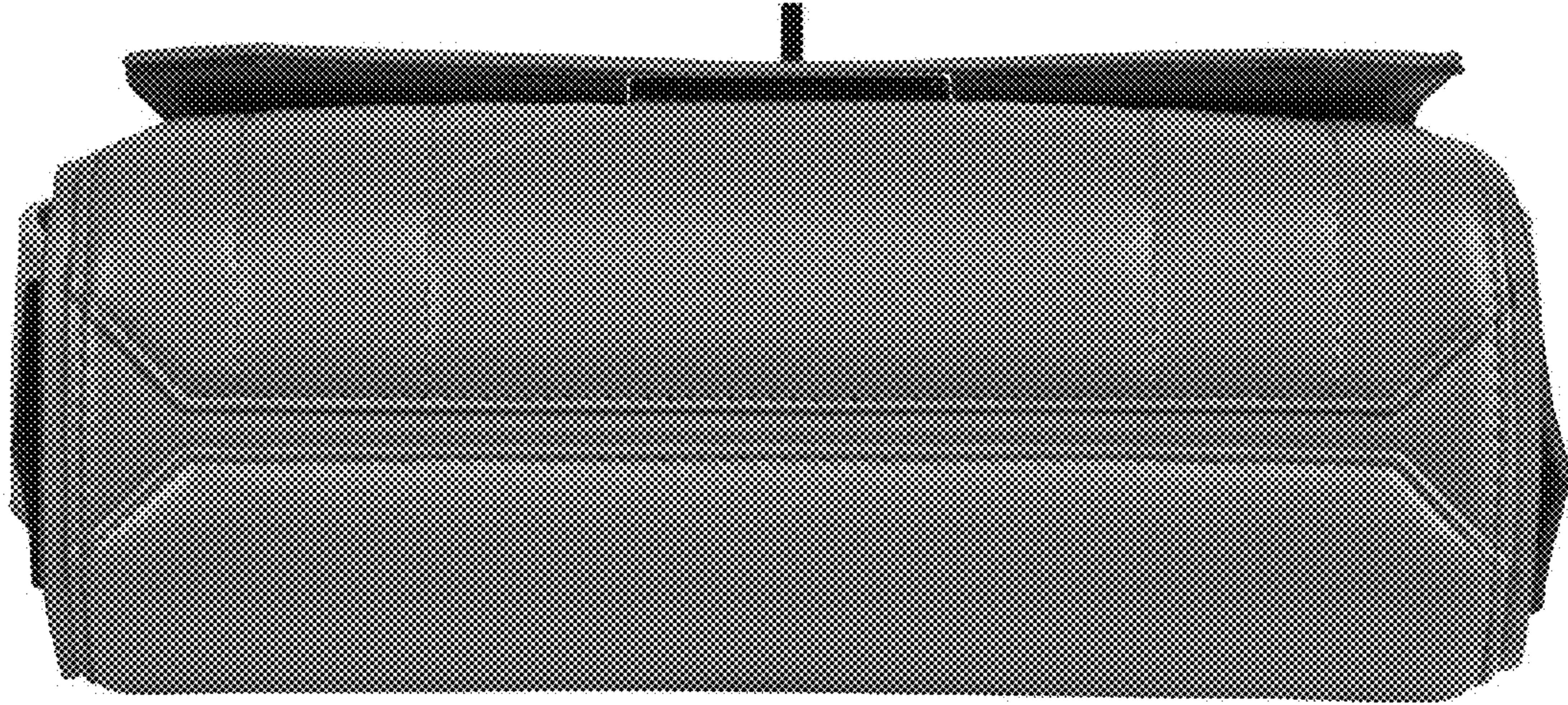
**FIG. 3**



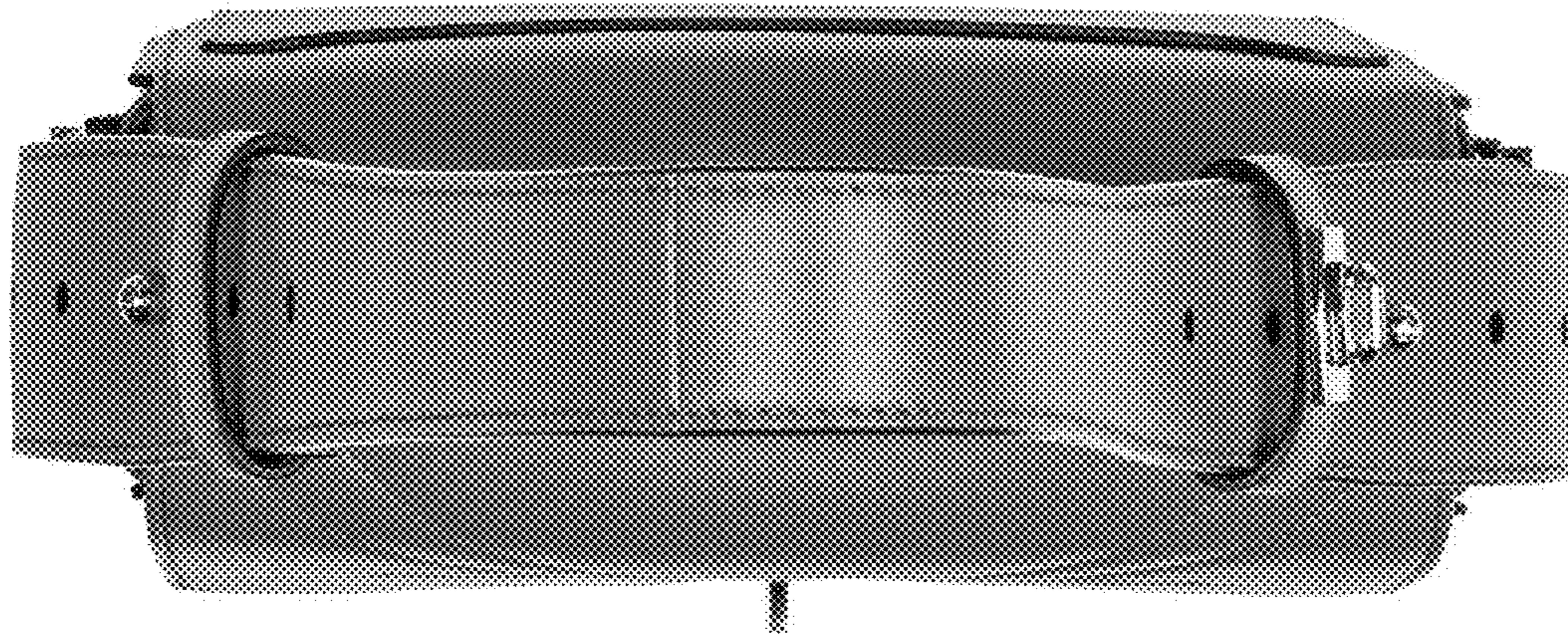
**FIG. 4**



**FIG. 5**



**FIG. 6**



**FIG. 7**