



US00D906665S

(12) **United States Design Patent** (10) **Patent No.:** **US D906,665 S**
Wilson (45) **Date of Patent:** **** Jan. 5, 2021**

(54) **RETAINING DEVICE FOR HOLDING A GUN IN A HOLSTER**

(71) Applicant: **Brian Wilson**, Boca Raton, FL (US)

(72) Inventor: **Brian Wilson**, Boca Raton, FL (US)

(**) Term: **15 Years**

(21) Appl. No.: **29/745,020**

(22) Filed: **Aug. 3, 2020**

Related U.S. Application Data

(63) Continuation of application No. 16/443,605, filed on Jun. 17, 2019.

(51) **LOC (13) Cl.** **03-01**

(52) **U.S. Cl.**
USPC **D3/222**

(58) **Field of Classification Search**
USPC D3/222-223; 224/191-193, 198, 238,
224/243-244, 911-912

(Continued)

(56) **References Cited**

U.S. PATENT DOCUMENTS

4,303,185 A * 12/1981 Shoemaker F41C 33/0227
224/193
4,925,075 A * 5/1990 Rogers F41C 33/0245
224/192

(Continued)

Primary Examiner — Catherine R Oliver-Garcia

(74) *Attorney, Agent, or Firm* — Nancy J. Flint, Attorney at Law, P.A.; Nancy J. Flint, Esq.

(57) **CLAIM**

The ornamental design for a retaining device for holding a gun in a holster, as shown and described.

DESCRIPTION

FIG. 1 is a perspective view of a first embodiment of a retaining device for holding a gun in a holster showing my new design;

FIG. 2 is an exploded view thereof;
FIG. 3 is a top plan view thereof;
FIG. 4 is a right side view thereof;
FIG. 5 is a rear view thereof;
FIG. 6 is a front view thereof;
FIG. 7 is a cross-section of the front view of FIG. 6 shown along lines 7-7 of FIG. 6;
FIG. 8 is a cross-section of the front view of FIG. 6 shown along lines 8-8 of FIG. 6;
FIG. 9 is a cross-section of the top view of FIG. 3 showing the first step in a process of inserting the trigger guard of a gun into the first embodiment of the retaining device for holding a gun in a holster prior to insertion of the trigger guard into the device;
FIG. 10 is a cross-section of the top view of FIG. 3 showing the second step in a process of inserting the trigger guard of a gun into the first embodiment of the retaining device for holding a gun in a holster wherein the trigger guard forces the two opposing sides of the retaining device apart;
FIG. 11 is a cross-section of the top view of FIG. 3 showing the third step in a process of inserting the trigger guard of a gun into the first embodiment of the retaining device for holding a gun in a holster wherein the trigger guard has been inserted in the retaining device and the two opposing sides of the retaining device having returned to their original positions;
FIG. 12 is a left side view of the first embodiment shown attached to a holster;
FIG. 13 is a perspective view of the first embodiment shown attached to a holster;
FIG. 14 is a perspective view of a second embodiment of a retaining device for holding a gun in a holster showing my new design;
FIG. 15 is an exploded view thereof;
FIG. 16 is a top plan view thereof;
FIG. 17 is a right side view thereof;
FIG. 18 is a rear view thereof;
FIG. 19 is a front view thereof;
FIG. 20 is a cross-section of the front view of FIG. 19 shown along lines 20-20 of FIG. 19;
FIG. 21 is a cross-section of the front view of FIG. 19 shown along lines 21-21 of FIG. 19;

(Continued)

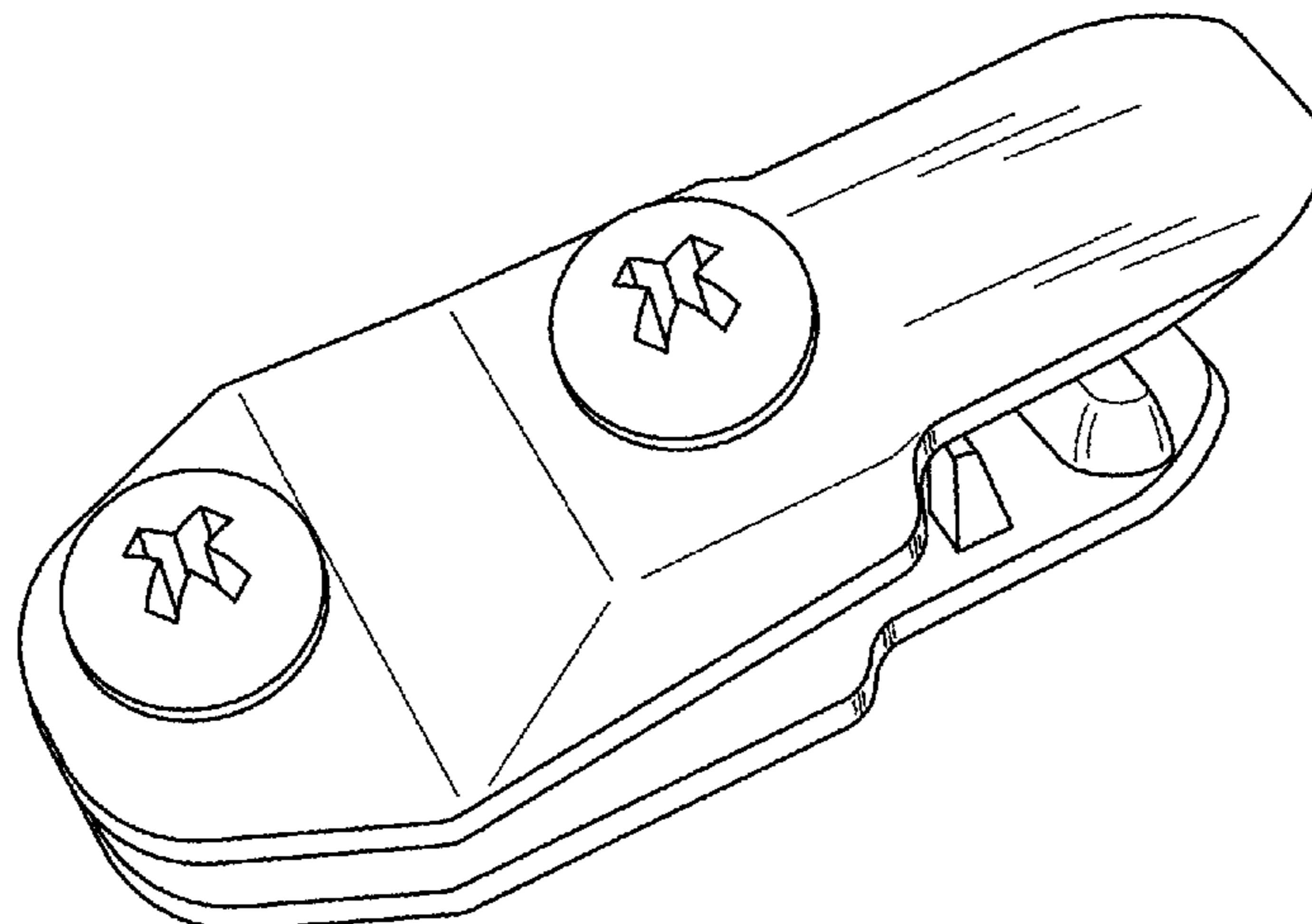


FIG. 22 is a cross-section of the top view of FIG. 16 showing the first step in a process of inserting the trigger guard of a gun into the second embodiment of the retaining device for holding a gun in a holster prior to insertion of the trigger guard into the device;

FIG. 23 is a cross-section of the top view of FIG. 16 showing the second step in a process of inserting the trigger guard of a gun into the second embodiment of the retaining device for holding a gun in a holster wherein the trigger guard forces the two opposing sides of the retaining device apart;

FIG. 24 is a cross-section of the top view of FIG. 16 showing the third step in a process of inserting the trigger guard of a gun into the second embodiment of the retaining device for holding a gun in a holster wherein the trigger guard has been inserted in the retaining device and the two opposing sides of the retaining device having returned to their original positions;

FIG. 25 is a left side view of the second embodiment shown attached to a holster; and,

FIG. 26 is a perspective view of the second embodiment shown attached to a holster.

Left side views not shown are mirror images of right side views. Hatch lines in FIGS. 7-11 and 20-24 depict internal structure not visible from the exterior that do not form part of the design sought to be patented. Broken lines in FIGS. 9-13 and 22-26 depict environment that is not part of the claimed design.

1 Claim, 18 Drawing Sheets

(58) **Field of Classification Search**

CPC A45F 5/02; A45F 2200/0591; F41C 33/02;

F41C 33/04; F41C 33/0227; F41C 33/0245; F41C 33/0254; F41C 33/0263
See application file for complete search history.

(56)

References Cited

U.S. PATENT DOCUMENTS

4,934,574	A	6/1990	Salandre	
5,129,562	A	7/1992	Bianchi	
5,284,281	A	2/1994	Nichols	
5,810,222	A	9/1998	Shoemaker	
6,854,626	B2	2/2005	Liao	
D537,246	S	2/2007	Carver et al.	
D539,030	S	3/2007	Carver et al.	
D543,353	S	5/2007	Carver et al.	
D543,354	S	5/2007	Carver et al.	
D567,501	S *	4/2008	Zusman	D3/222
D568,043	S *	5/2008	Zusman	D3/222
7,950,552	B2	5/2011	Fan	
8,851,344	B2	10/2014	Baumann et al.	
8,910,839	B2 *	12/2014	Clifton	F41C 33/0209 224/243
9,086,254	B1	7/2015	Plappert	
D784,008	S *	4/2017	Rogers	D3/222
D801,041	S *	10/2017	Lance	F41C 33/0254 D3/222
D838,474	S *	1/2019	Tang	D3/222
2007/0108242	A1 *	5/2007	Rassias	F41C 33/0263 224/243
2012/0286005	A1 *	11/2012	Farnlacher	F41C 33/0245 224/244
2014/0291363	A1 *	10/2014	Clifton, Jr.	F41C 33/0263 224/244
2014/0305975	A1 *	10/2014	Ribas	F41C 33/0263 224/244
2019/0049214	A1 *	2/2019	Courtney	A45F 5/021
2020/0240744	A1 *	7/2020	Rogers	F41C 33/0227

* cited by examiner

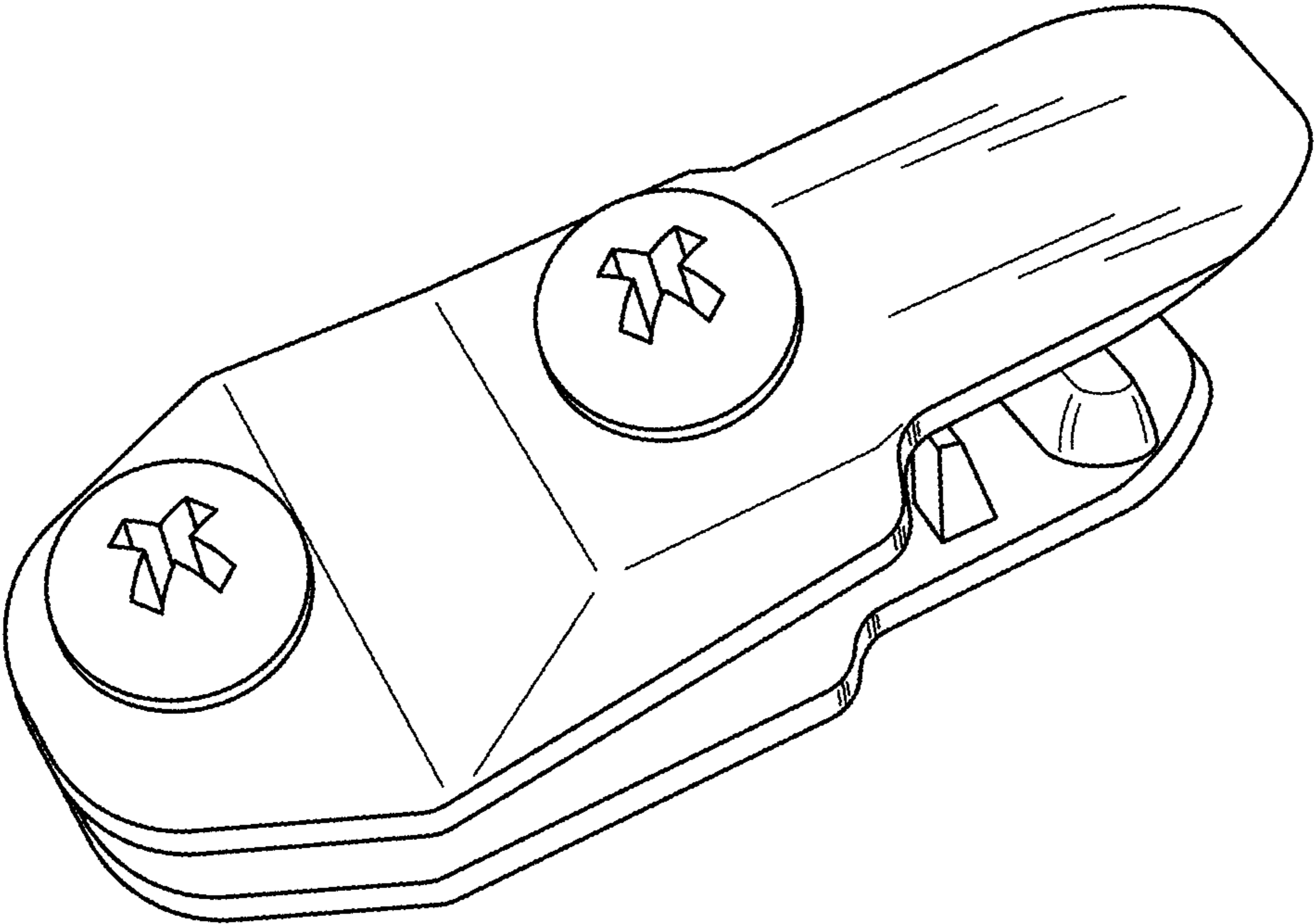


FIG. 1

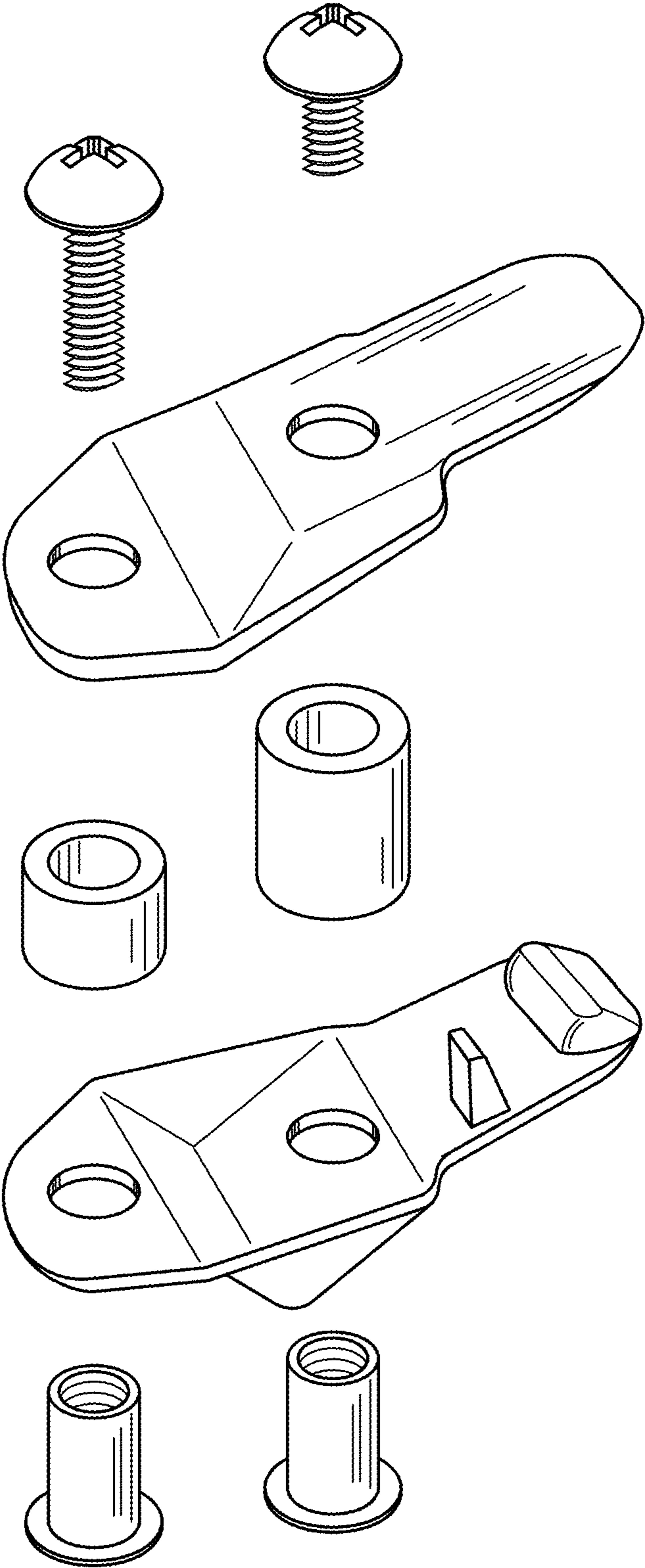
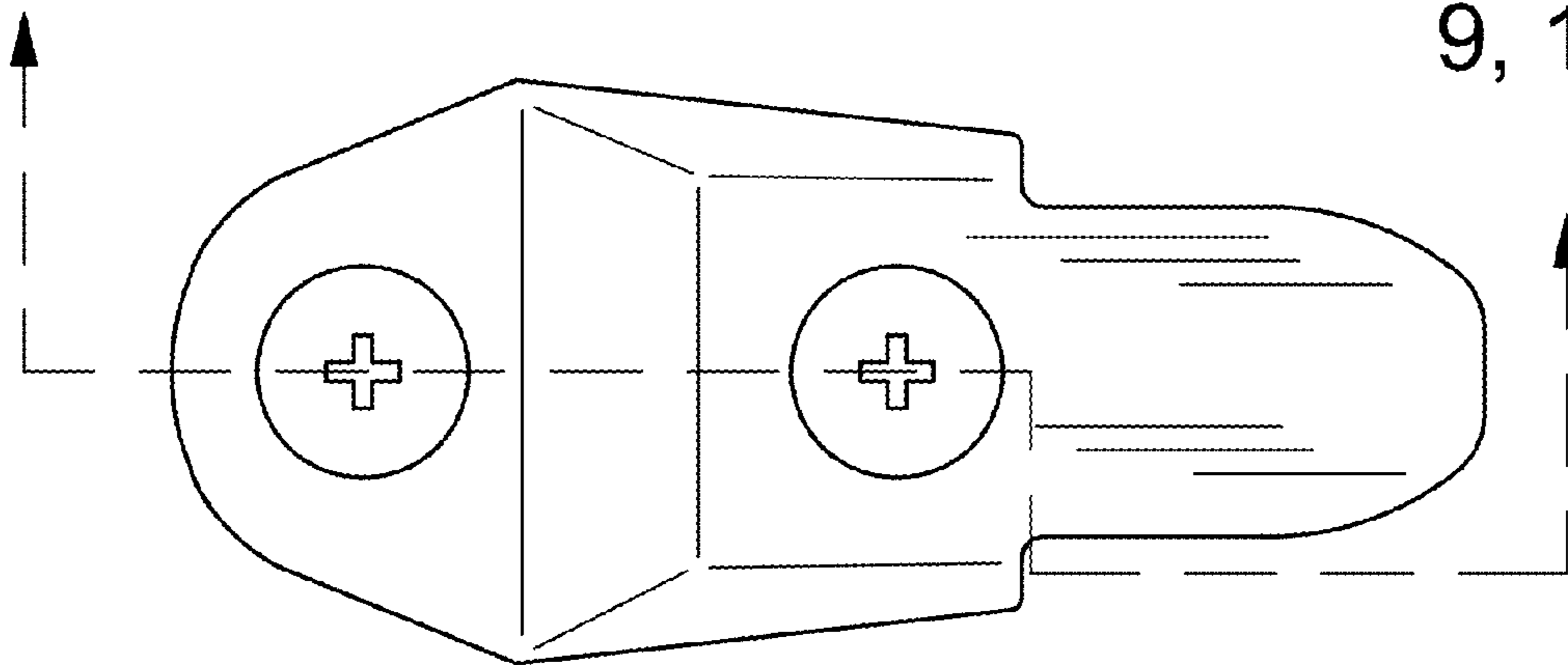


FIG. 2

9, 10, 11



9, 10, 11

FIG. 3

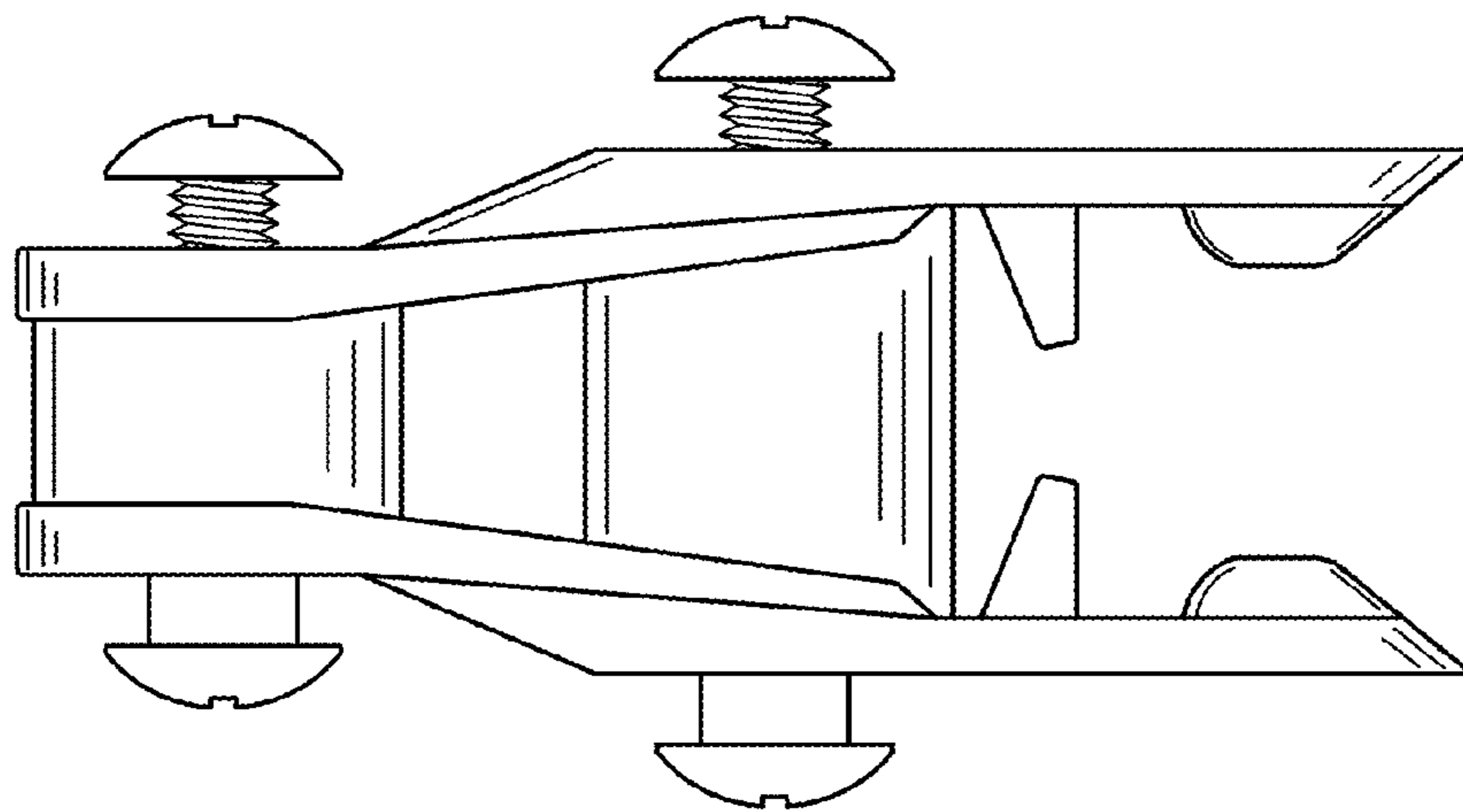


FIG. 4

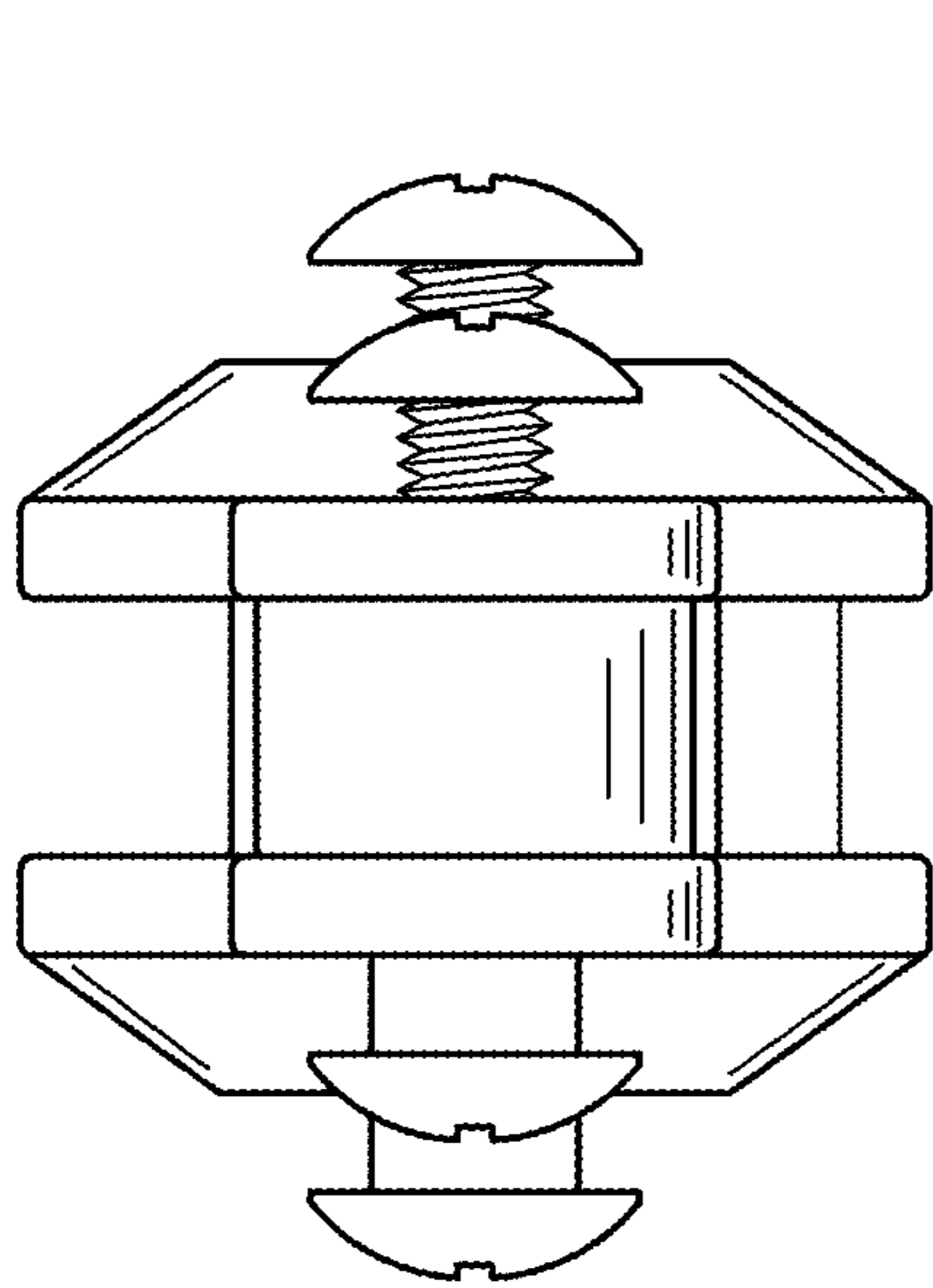


FIG. 5

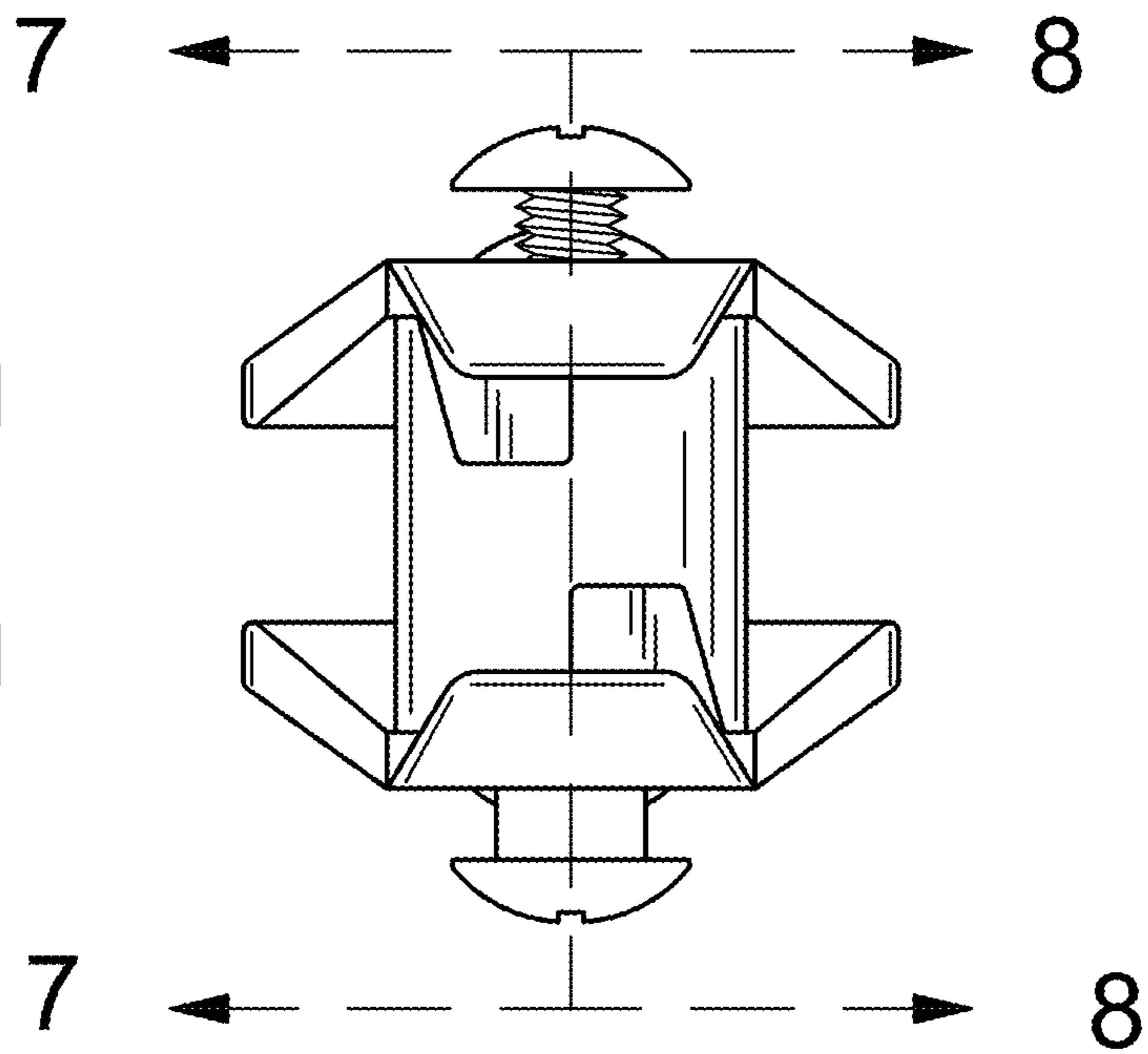


FIG. 6

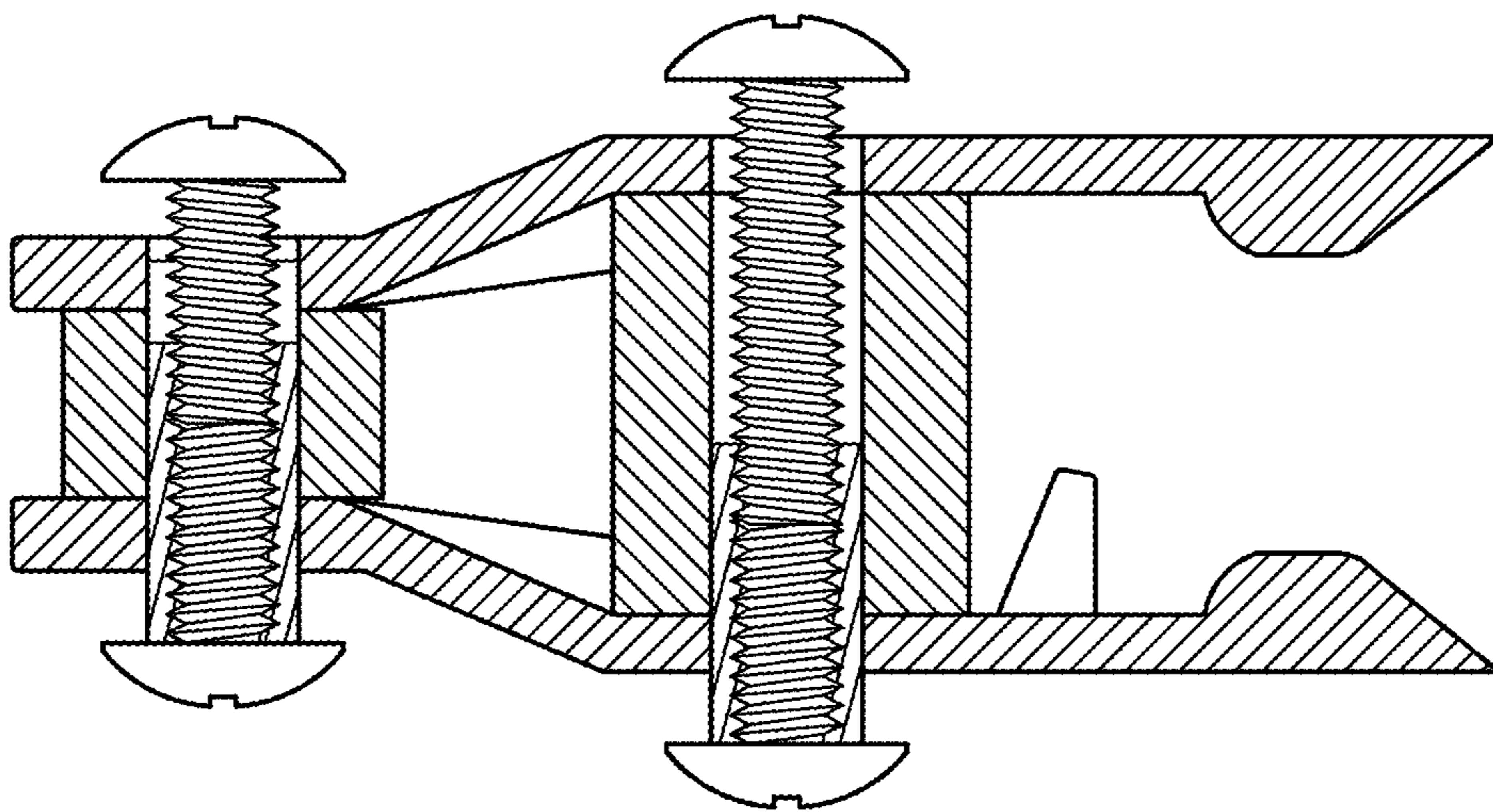


FIG. 7

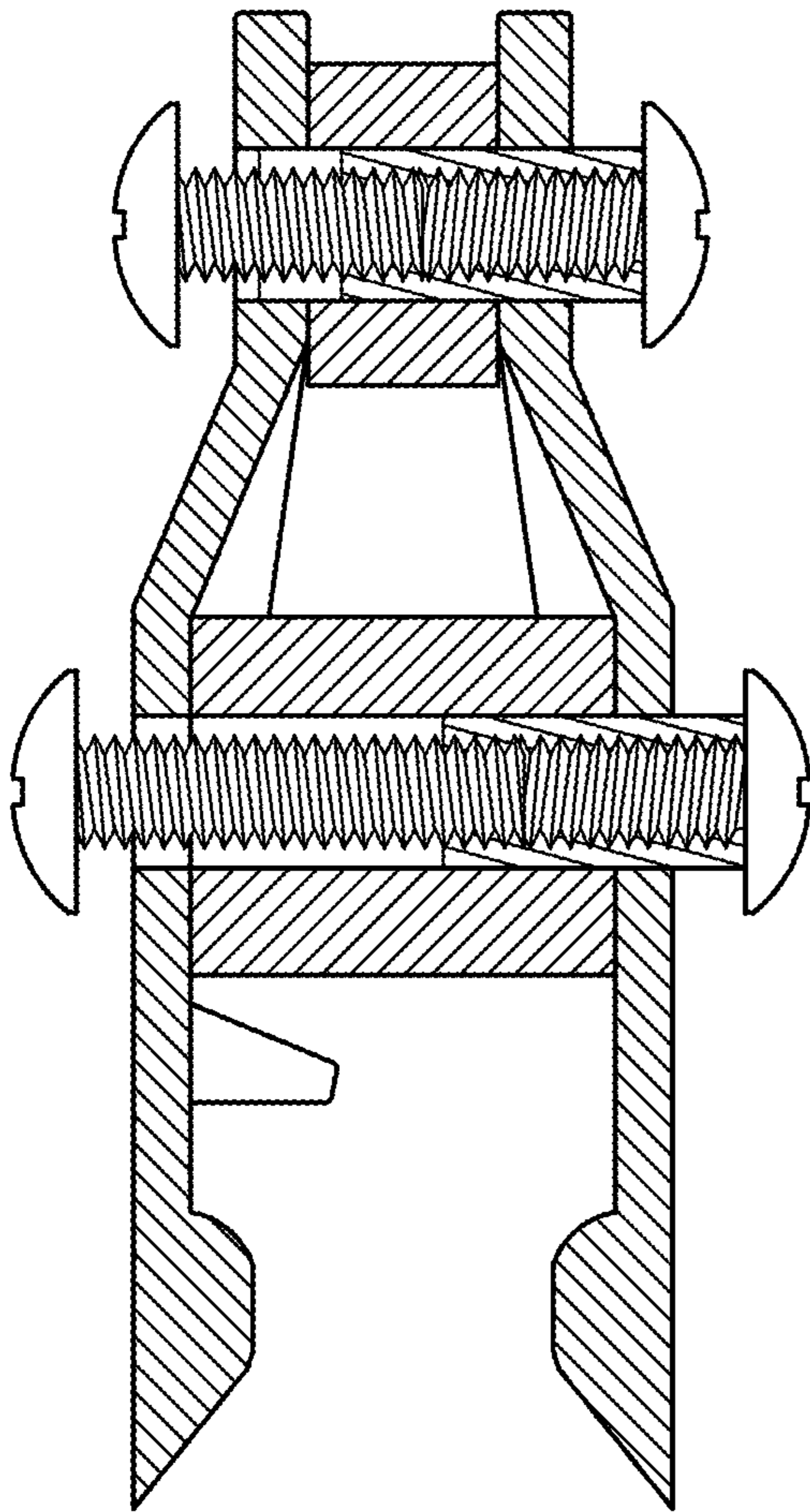


FIG. 8

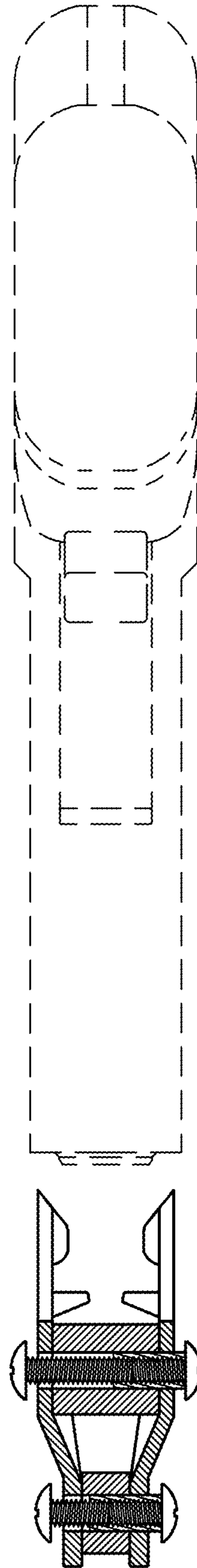


FIG. 9

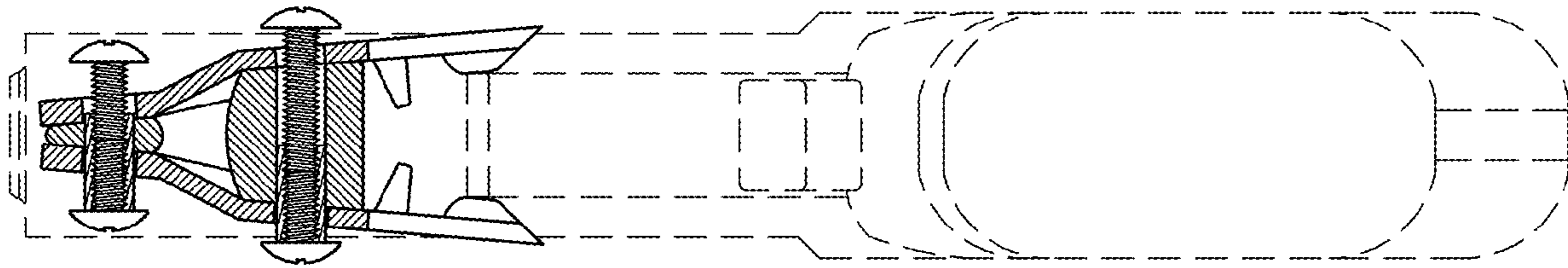


FIG. 10

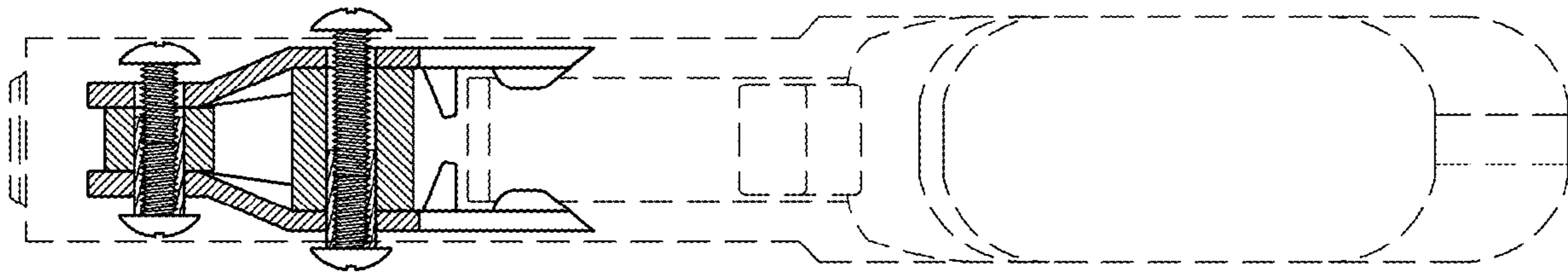


FIG. 11

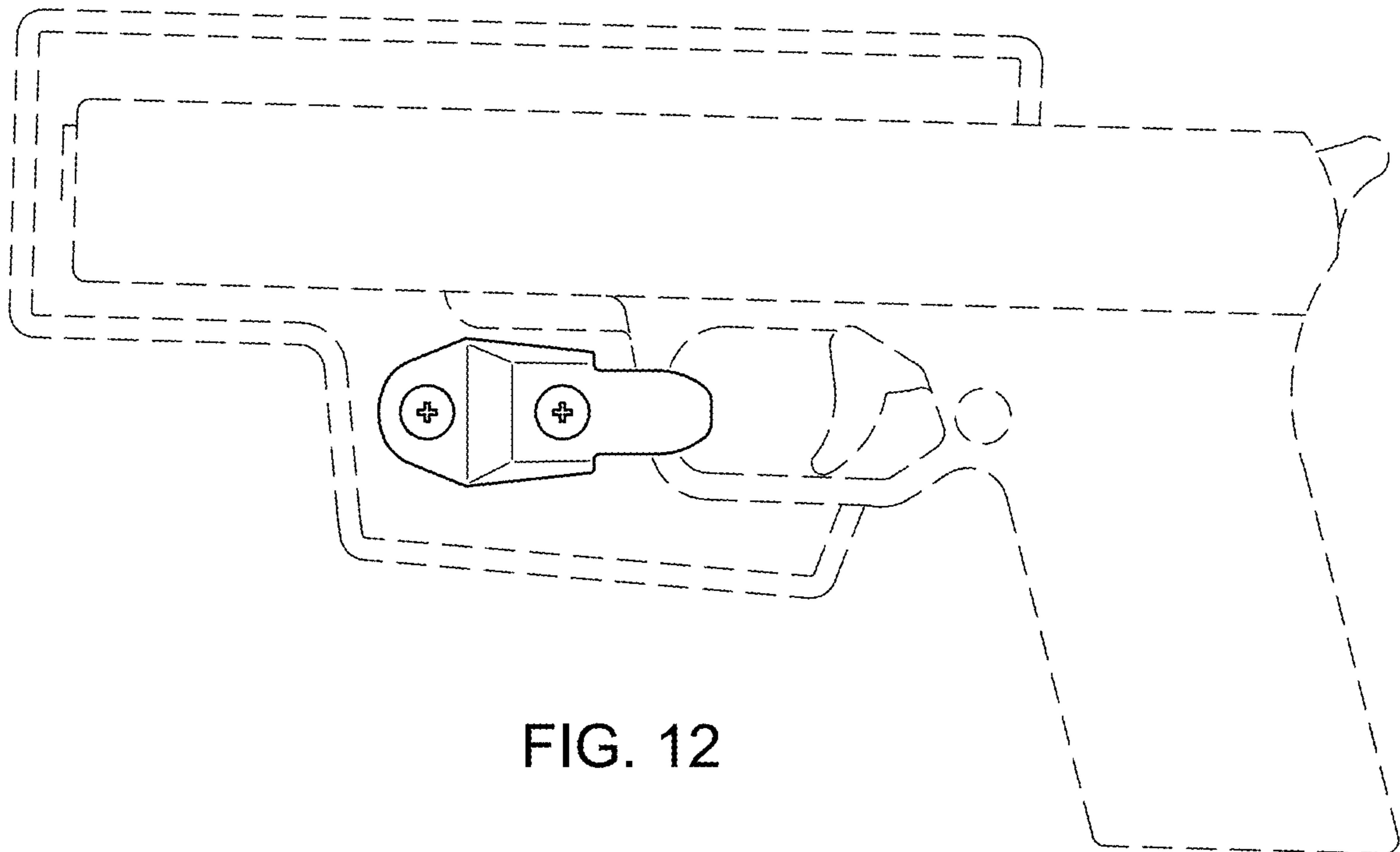


FIG. 12

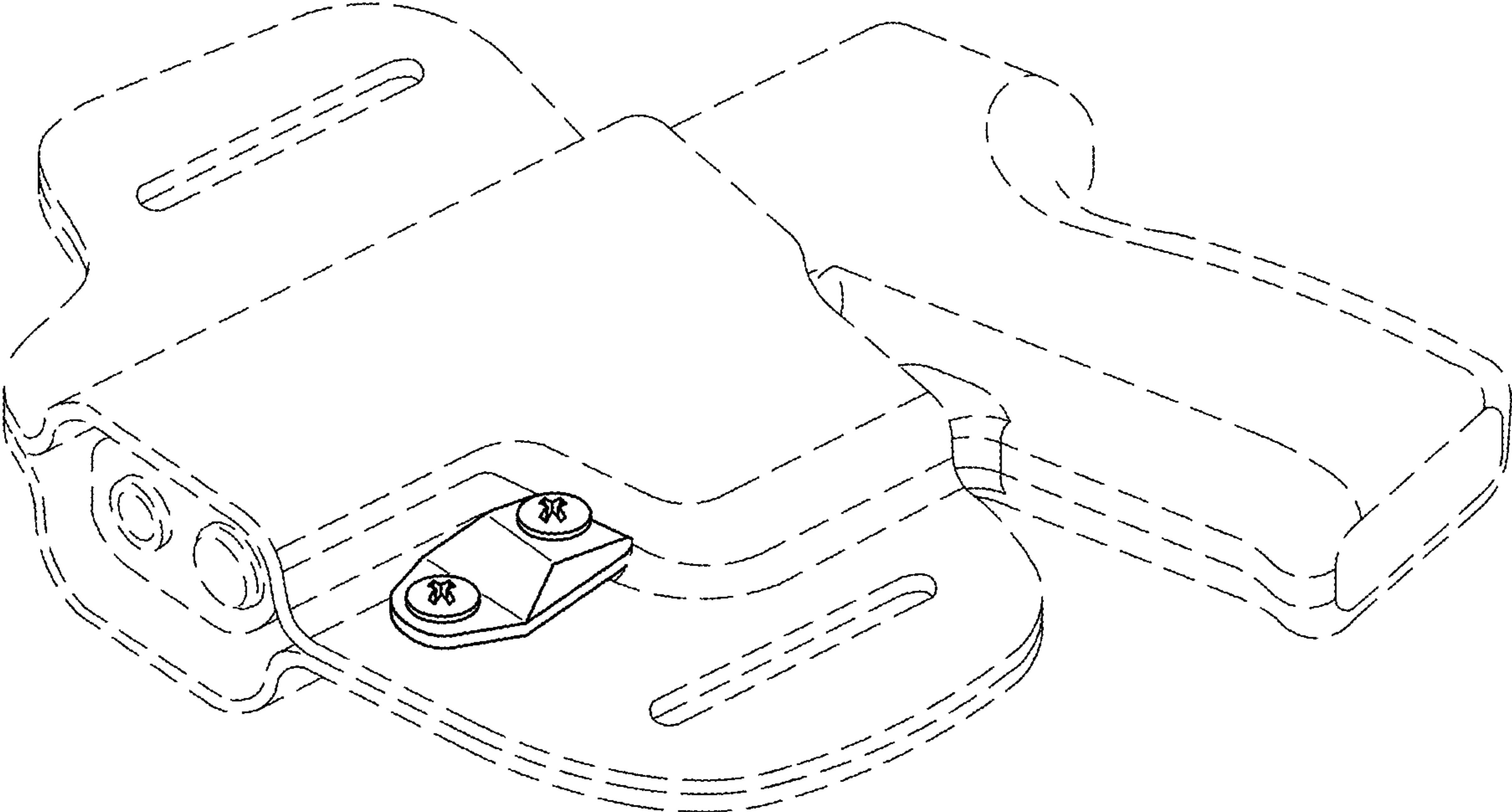


FIG. 13

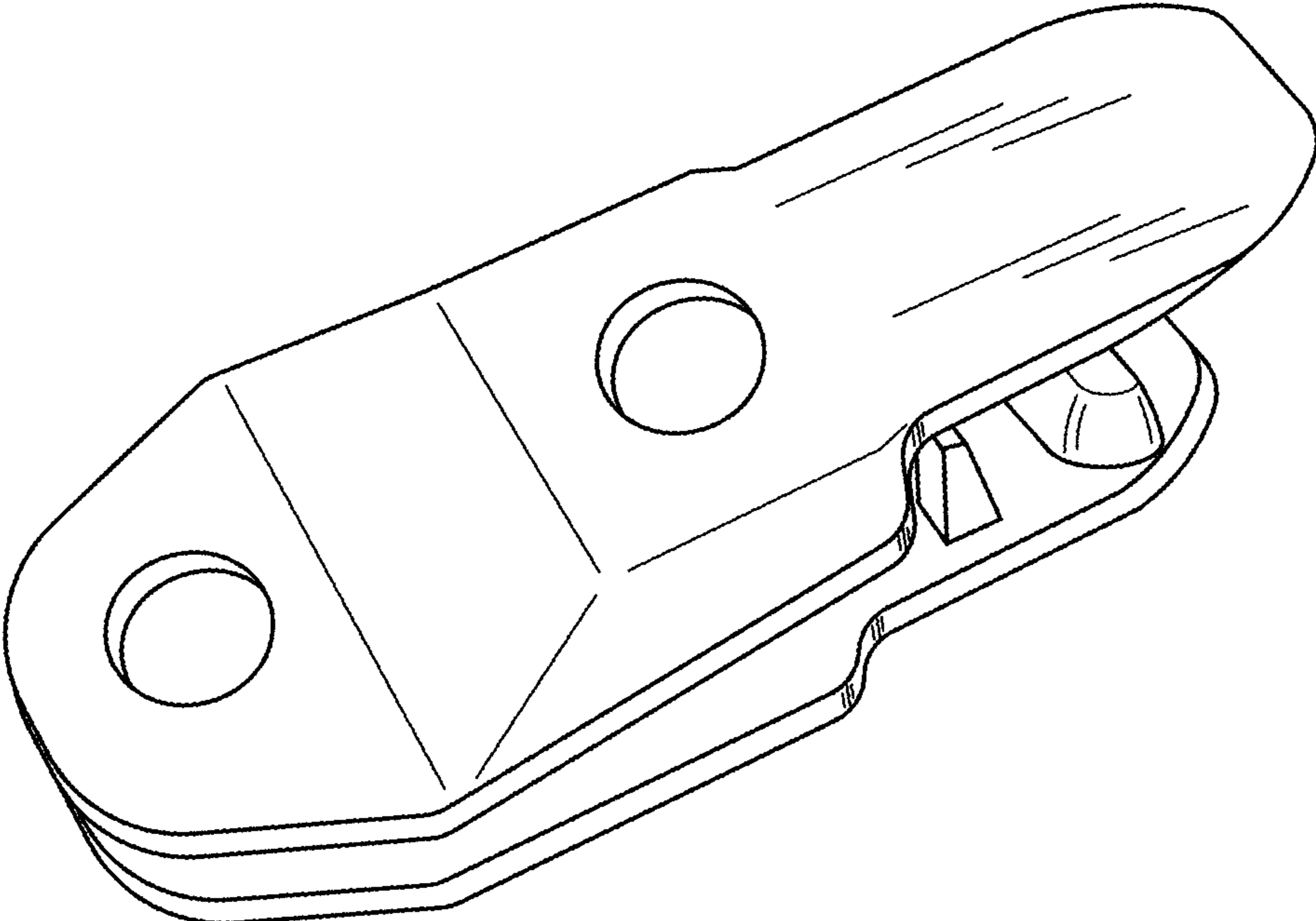
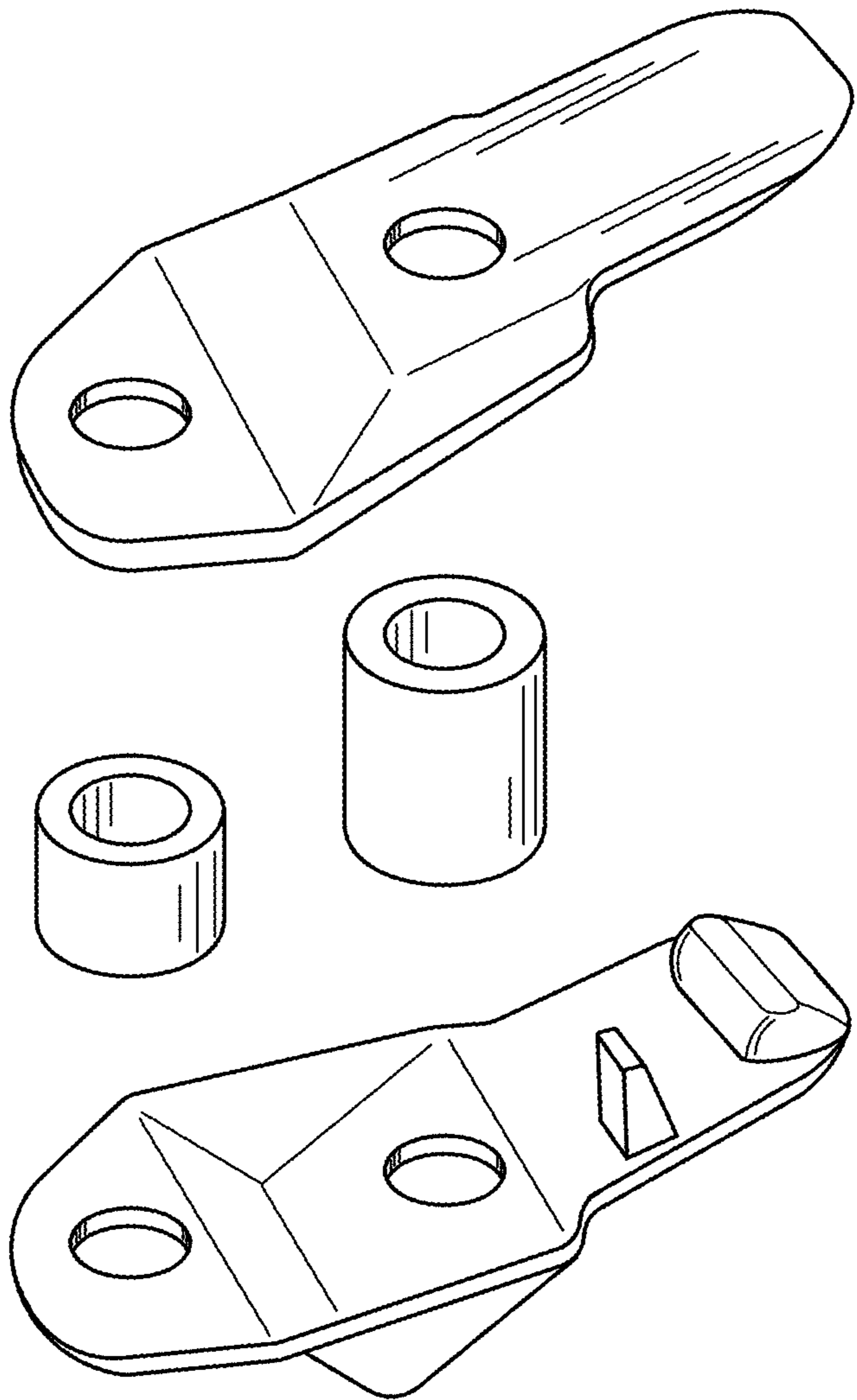


FIG. 14

FIG. 15



22, 23, 24

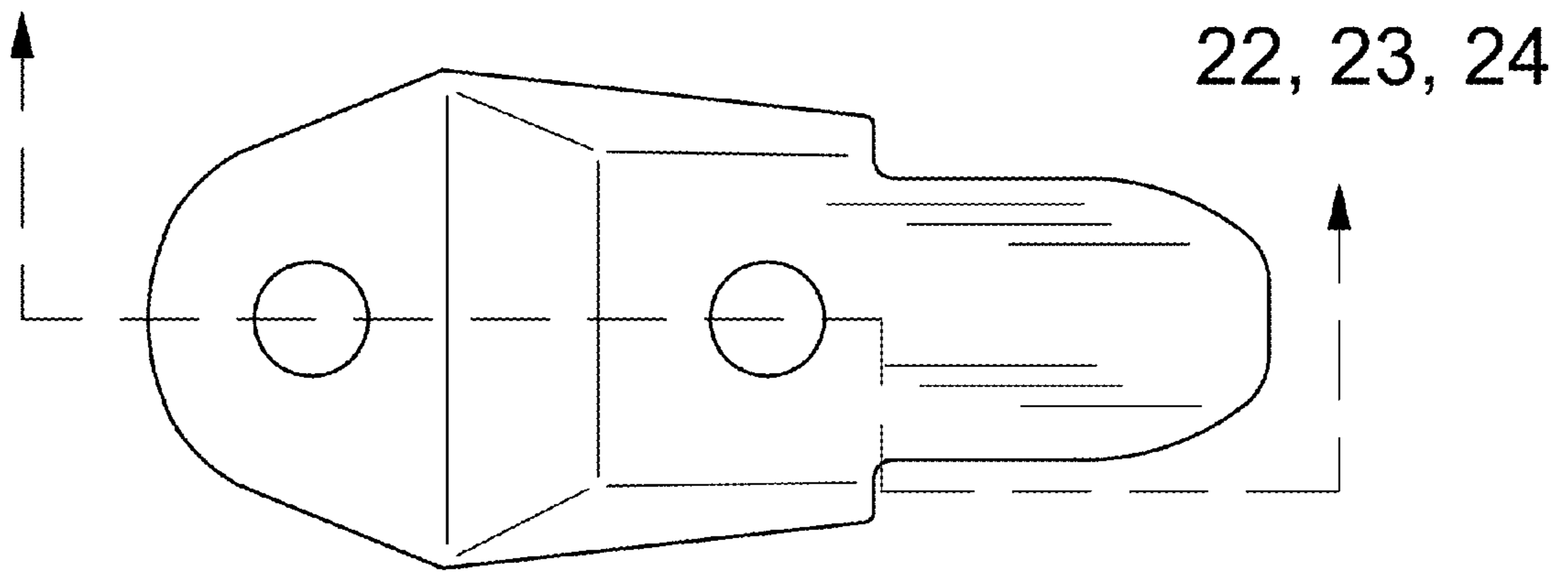


FIG. 16

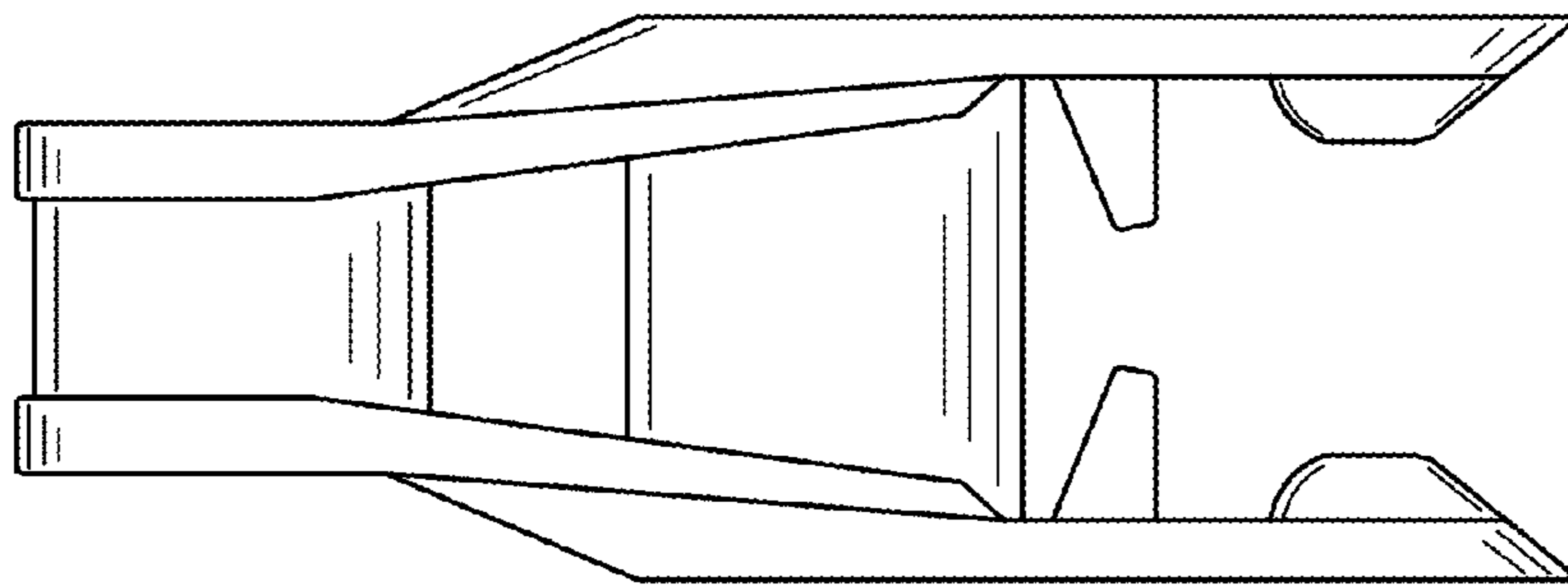


FIG. 17

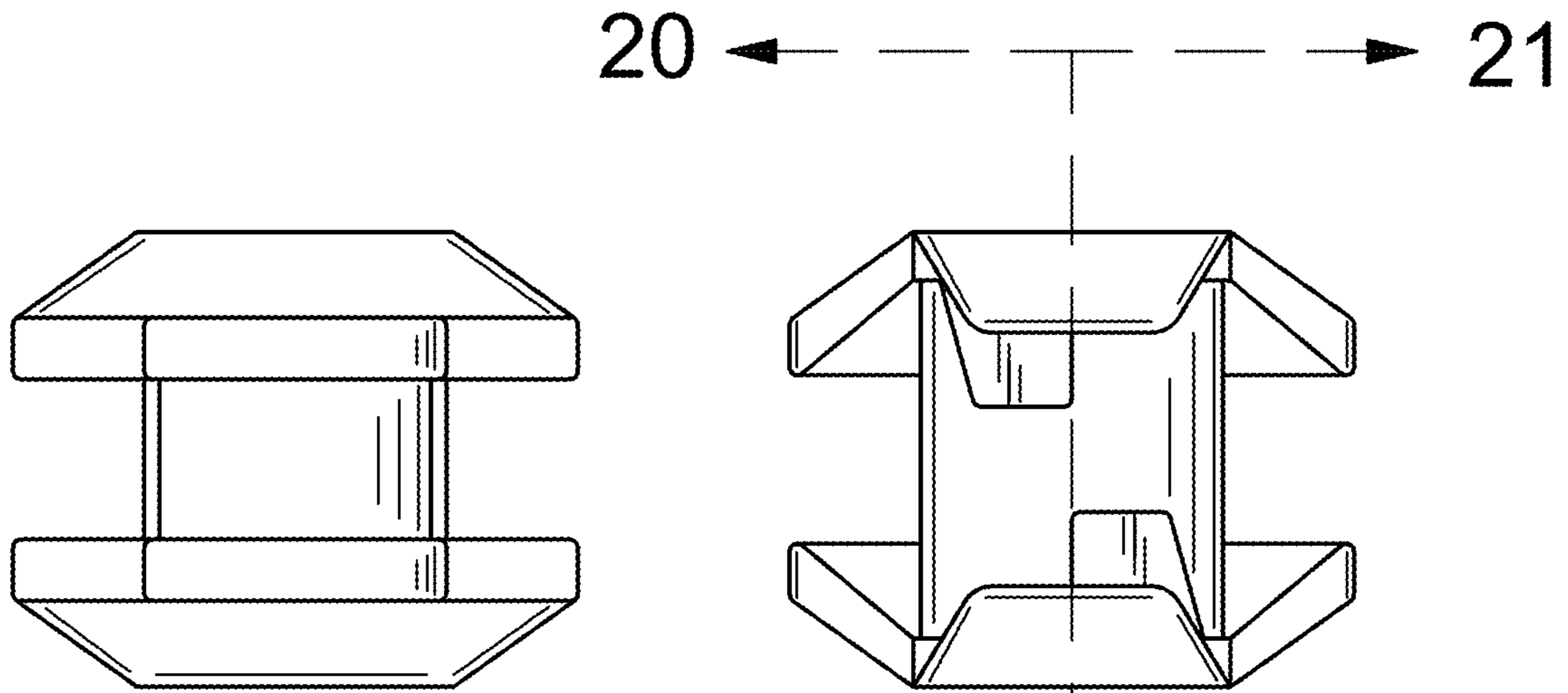


FIG. 18

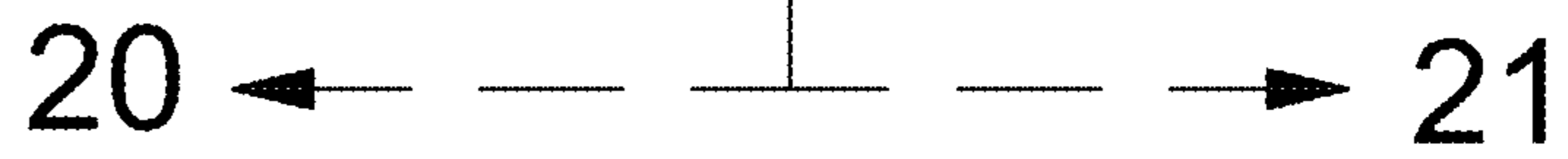


FIG. 19

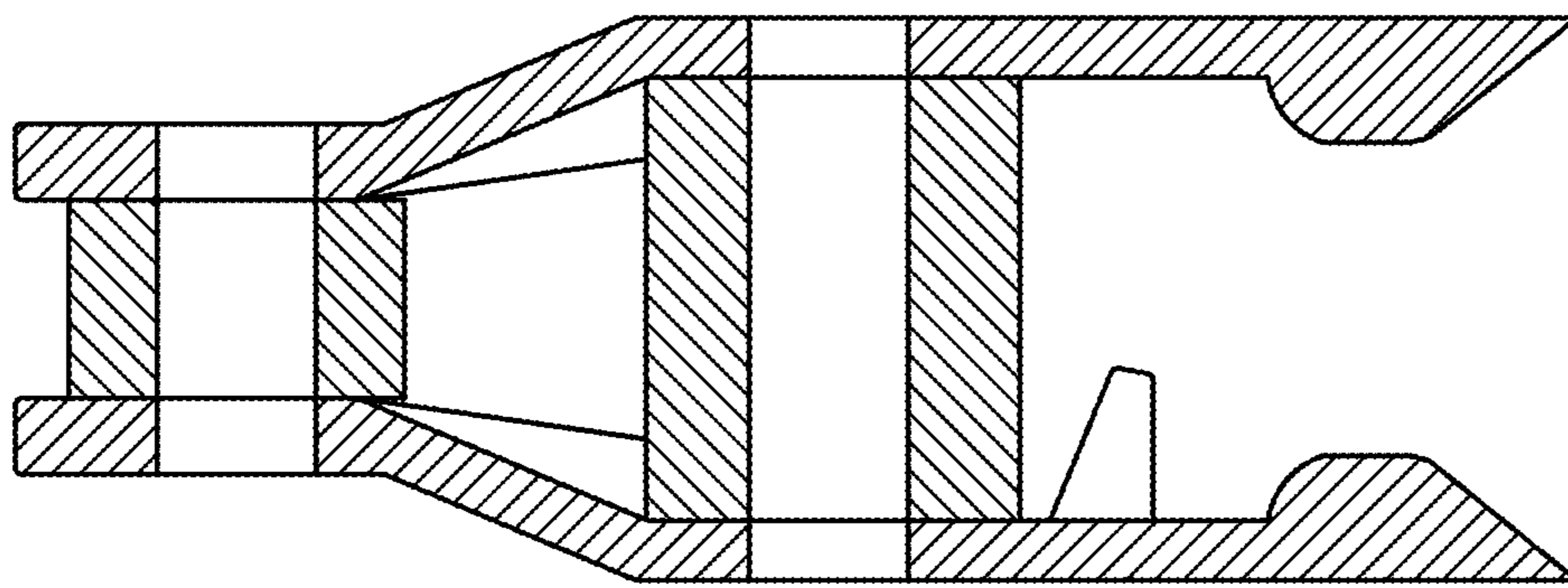


FIG. 20

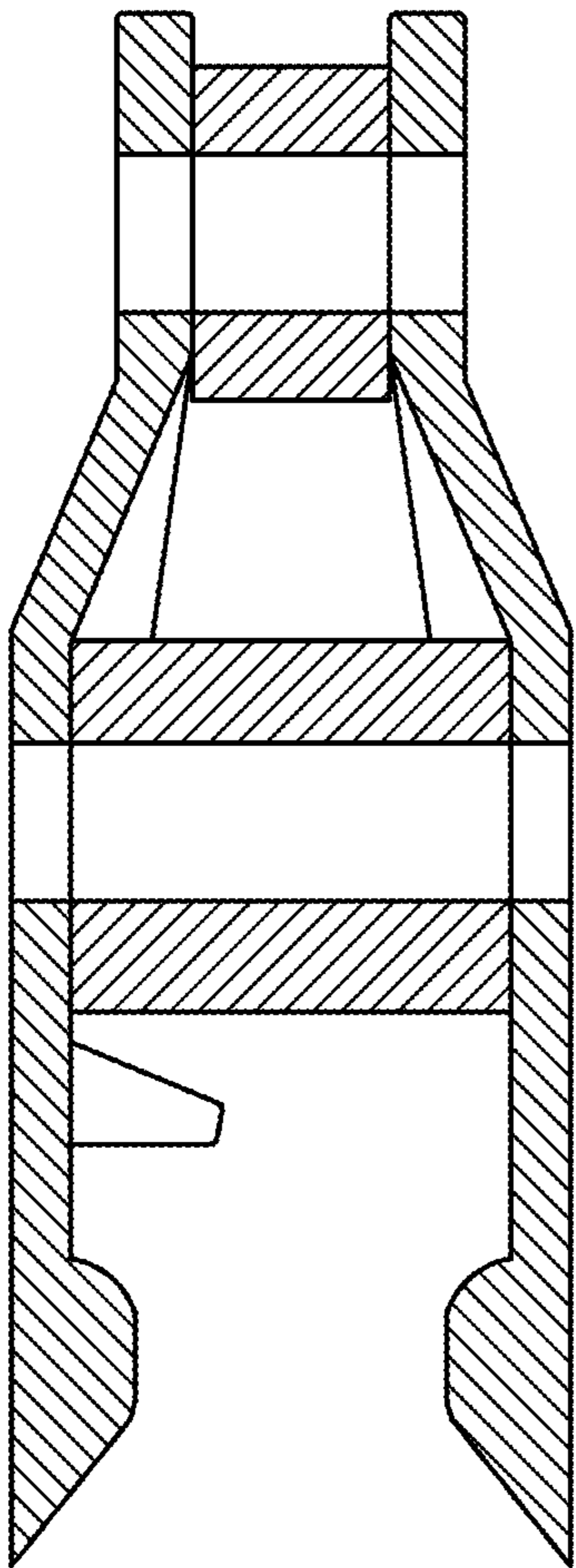


FIG. 21

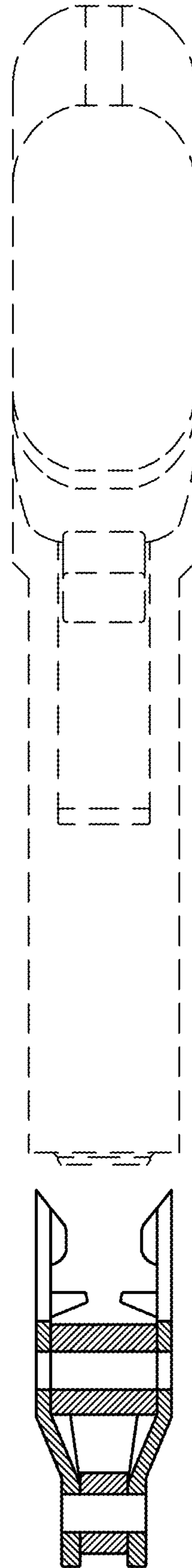


FIG. 22

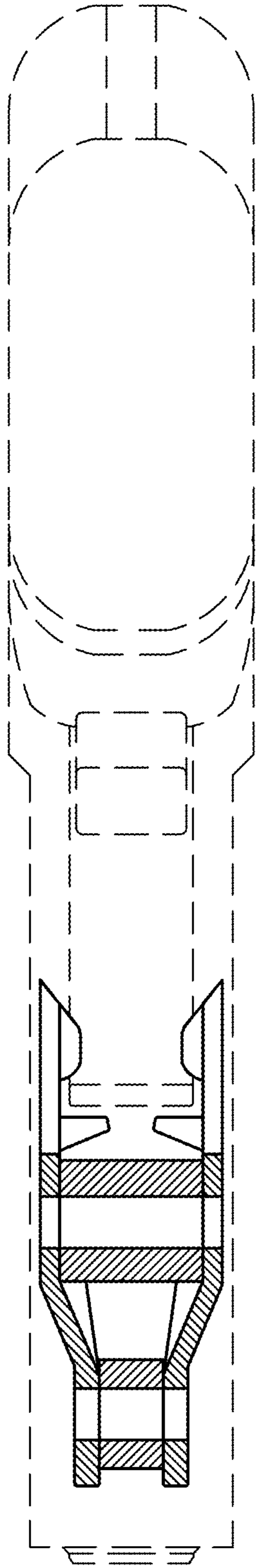


FIG. 24

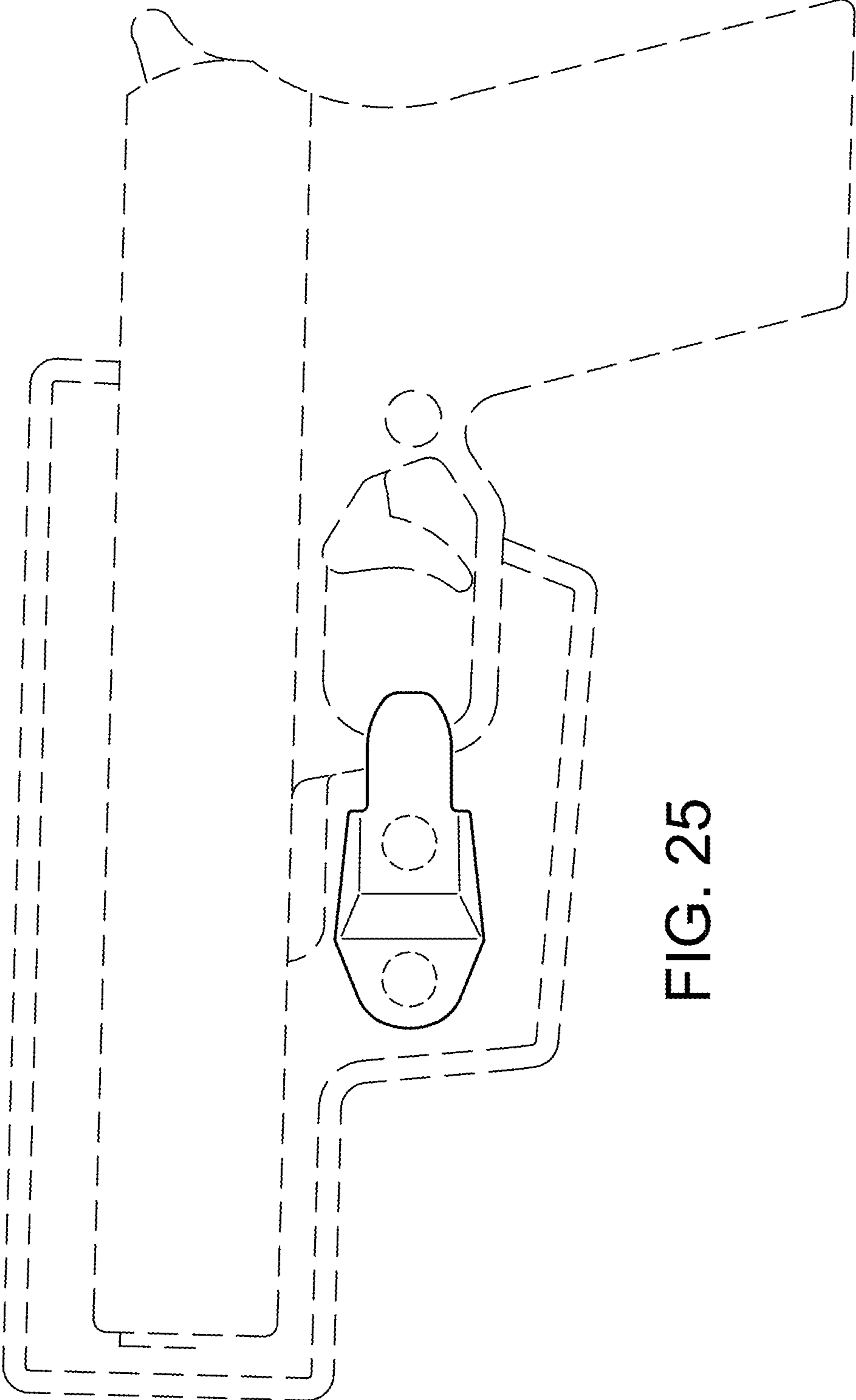


FIG. 25

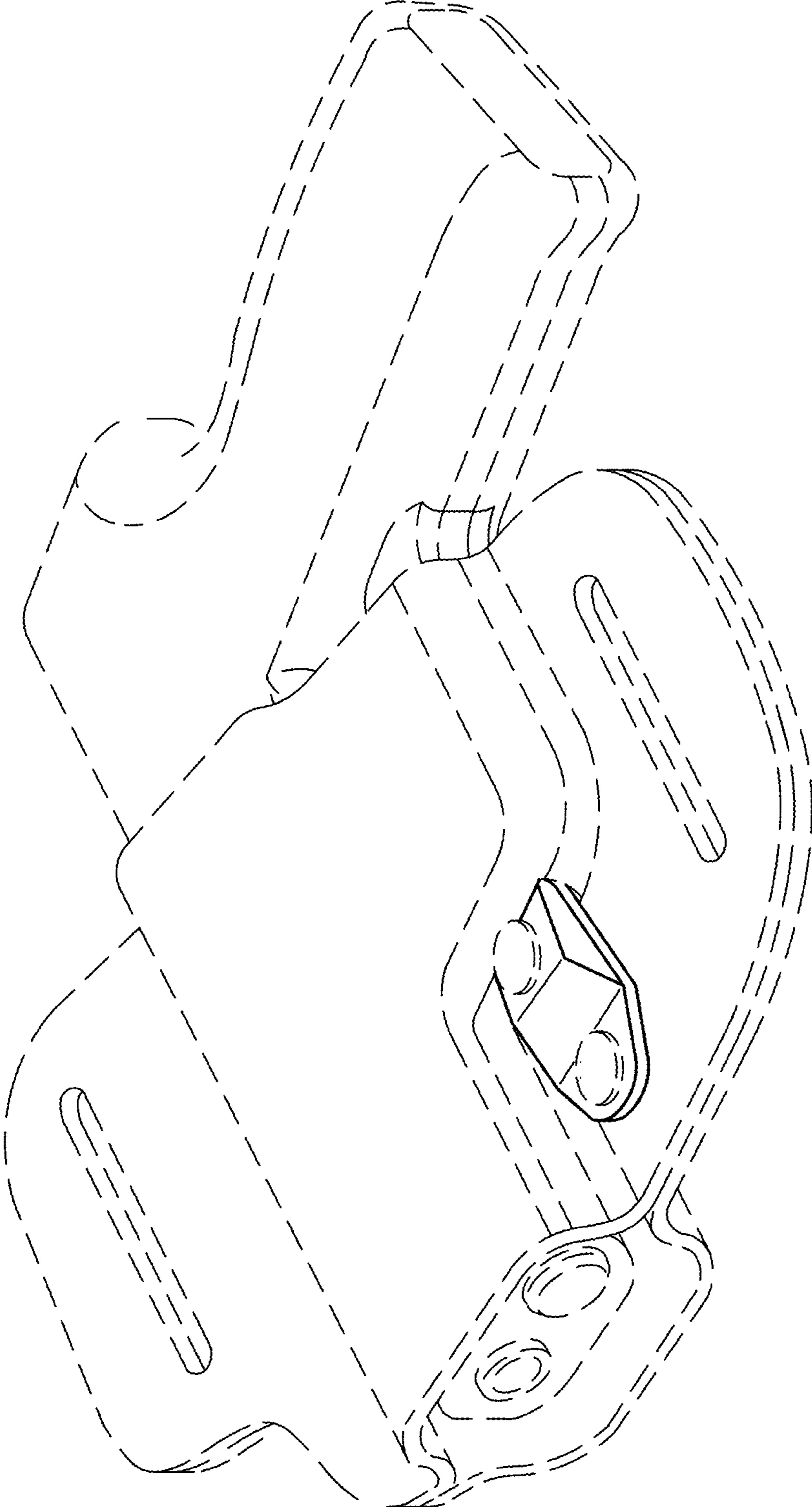


FIG. 26