



US00D906662S

(12) **United States Design Patent**  
**Desset-Brethes et al.**

(10) **Patent No.:** **US D906,662 S**  
(45) **Date of Patent:** **\*\* Jan. 5, 2021**

- (54) **PILL DISPENSER**
- (71) Applicant: **Phillips-Medisize A/S**, Struer (DK)
- (72) Inventors: **Sabine Desset-Brethes**, Attenschwiller (FR); **Regis Frelon**, Loerrach (DE); **Stefan Hirsch**, Loerrach (DE); **Hans Jensen**, Holstebro (DK); **Esben Johansen**, Struer (DK); **Peter Mathiasen**, Aarhus C (DK); **Jan Olesen**, Holstebro (DK)
- (73) Assignee: **Phillips-Medisize A/S**, Struer (DK)
- (\*\*) Term: **15 Years**
- (21) Appl. No.: **29/710,341**
- (22) Filed: **Oct. 22, 2019**

**Related U.S. Application Data**

- (63) Continuation of application No. 16/385,279, filed on Apr. 16, 2019, which is a continuation of application No. 14/399,991, filed on Nov. 10, 2014, now Pat. No. 10,294,010.
- (51) **LOC (13) Cl.** ..... **03-01**
- (52) **U.S. Cl.**  
USPC ..... **D3/203.2**
- (58) **Field of Classification Search**  
USPC ..... D3/201, 203.1–203.8; D9/435, 436, 440, D9/447, 454  
CPC ..... B65D 83/04; B65D 2583/0409; B65D 2583/0472; A61J 1/03; A61J 7/04; A61J 1/1418; A61J 7/0076  
See application file for complete search history.

(56) **References Cited**  
U.S. PATENT DOCUMENTS

- D481,313 S \* 10/2003 Archer ..... D9/436
- D489,610 S \* 5/2004 Miceli ..... D9/435

- D555,893 S \* 11/2007 Mulaw ..... D3/203.1
- D571,199 S \* 6/2008 Petrosino ..... D9/435
- D573,460 S \* 7/2008 Kawaguchi ..... D9/434
- D608,084 S \* 1/2010 Anson ..... D3/203.3
- D625,911 S \* 10/2010 Lee ..... D3/203.2
- D633,292 S \* 3/2011 Anson ..... D3/203.3
- D637,806 S \* 5/2011 Anson ..... D3/203.3
- D643,209 S \* 8/2011 Rein ..... D3/203.1
- D651,897 S \* 1/2012 Miceli ..... D7/387
- D656,818 S \* 4/2012 Dunwoody ..... D9/435
- D661,185 S \* 6/2012 Battat ..... D9/435
- D691,054 S \* 10/2013 Olsson ..... D9/435
- D696,958 S \* 1/2014 Rex ..... D9/435
- D701,763 S \* 4/2014 Chur ..... D9/435
- D711,739 S \* 8/2014 Priebe ..... D9/435
- D799,958 S \* 10/2017 Butruille ..... D9/440
- 9,815,611 B2 \* 11/2017 Reinhold ..... B65D 83/0409
- D827,364 S \* 9/2018 Rummel ..... D7/392.1
- D828,013 S \* 9/2018 Van Wijngaarden ..... D3/203.3
- D828,014 S \* 9/2018 Van Wijngaarden ..... D3/203.3
- D829,065 S \* 9/2018 Marantis ..... D7/700
- 10,131,475 B2 \* 11/2018 Babineau ..... B65D 1/40
- 10,144,574 B2 \* 12/2018 Williams ..... A61J 1/03
- 10,159,627 B2 \* 12/2018 Milante ..... A61J 1/1425
- D842,105 S \* 3/2019 Willemstyn ..... D9/436
- 10,358,272 B2 \* 7/2019 Brotzel ..... A61J 7/0418
- 10,364,089 B2 \* 7/2019 Daniels, Jr. .... A61J 7/0084

(Continued)

Primary Examiner — Steven J Czyn

(74) Attorney, Agent, or Firm — Banner & Witcoff, Ltd.

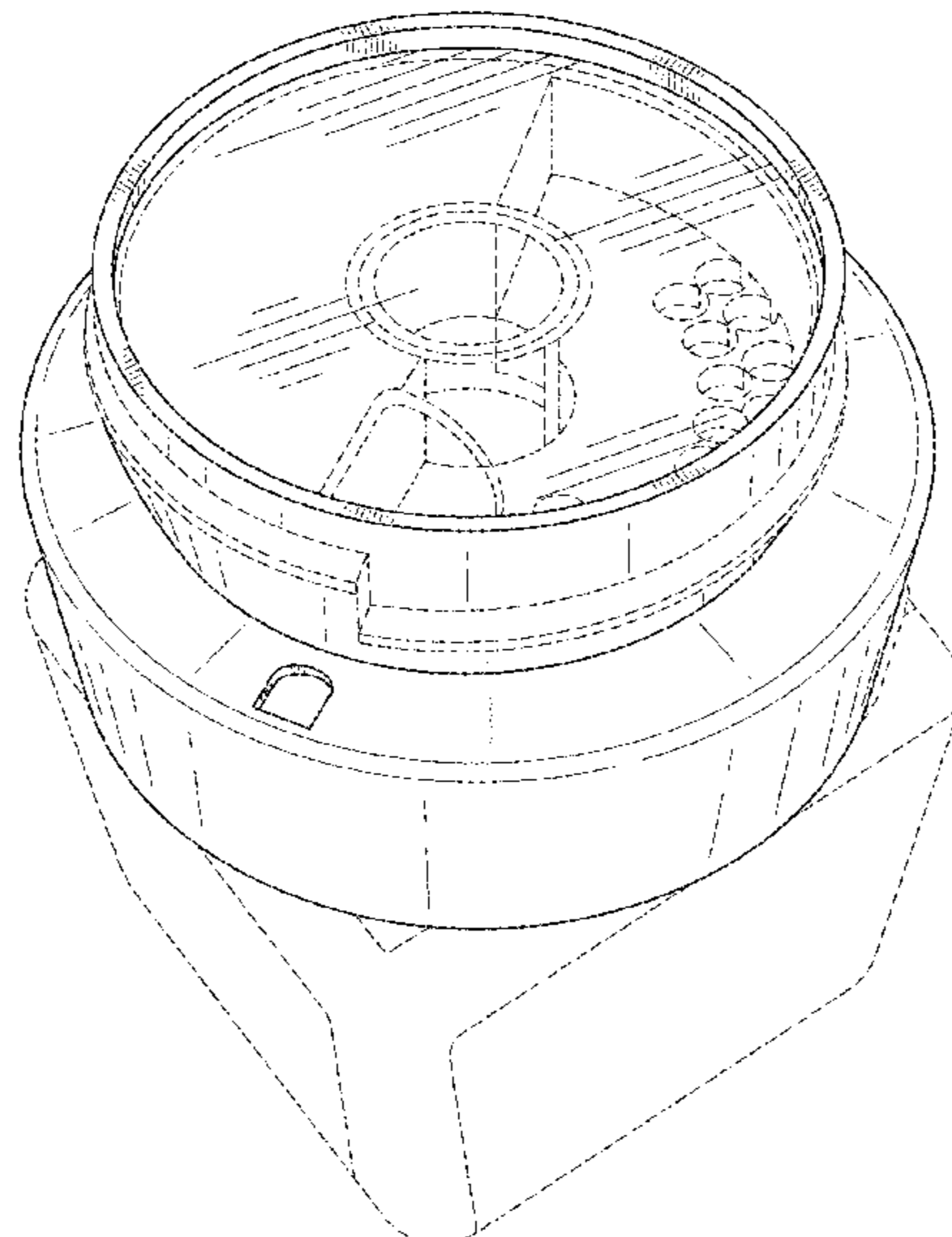
(57) **CLAIM**

The ornamental design for a pill dispenser, as shown and described.

**DESCRIPTION**

The sole FIGURE is a front perspective view of a pill dispenser showing our new design. The broken lines depicting the remainder of the pill dispenser form no part of the claimed design.

**1 Claim, 1 Drawing Sheet**



(56)

**References Cited**

U.S. PATENT DOCUMENTS

D855,309	S *	8/2019	Patel	.....	D3/203.1
D856,136	S *	8/2019	Marshall	.....	D9/435
D861,053	S *	9/2019	Tally	.....	D15/152
D862,225	S *	10/2019	Horn	.....	B43K 23/001
					D9/436
10,532,861	B2 *	1/2020	Kimmel	.....	B65B 5/067
D876,186	S *	2/2020	Marantis	.....	D7/700
10,569,937	B2 *	2/2020	Giraud	.....	A61J 1/03
10,610,456	B2 *	4/2020	Gosselin	.....	A61J 1/1418
2014/0202978	A1 *	7/2014	Hwang	.....	A61J 7/04
					215/230

\* cited by examiner

