



US00D906661S

(12) **United States Design Patent** (10) **Patent No.:** **US D906,661 S**
Harwood (45) **Date of Patent:** **** *Jan. 5, 2021**

(54) **WALL MOUNTABLE STORAGE CASE**
(71) Applicant: **Craig Harwood**, Melbourne (AU)
(72) Inventor: **Craig Harwood**, Melbourne (AU)
(*) Notice: This patent is subject to a terminal disclaimer.
(**) Term: **15 Years**
(21) Appl. No.: **29/636,522**
(22) Filed: **Aug. 13, 2018**
(51) **LOC (13) Cl.** **03-01**
(52) **U.S. Cl.**
USPC **D3/203.1**
(58) **Field of Classification Search**
USPC D3/201, 203.1, 203.6, 273, 274, 294;
D24/185
CPC A61F 17/00; Y10S 206/803; A47B 81/00;
A47B 46/005
See application file for complete search history.

D566,484 S * 4/2008 George D3/294
7,481,014 B2 * 1/2009 Milburn A47B 46/005
312/245
D592,398 S * 5/2009 Roesler D3/294
D593,316 S * 6/2009 Ruwiel D3/203.2
7,762,635 B2 * 7/2010 Spoljaric A61F 17/00
312/245
D632,477 S * 2/2011 Coleman D3/203.6
D651,393 S * 1/2012 Coleman D3/203.6
D675,434 S * 2/2013 Vernall D3/294
D681,937 S * 5/2013 Peterson D3/203.6
D707,446 S * 6/2014 Svahn D3/273
D728,218 S * 5/2015 Goldstein D12/417
D739,270 S * 9/2015 Miller D10/50
D795,874 S * 8/2017 Szeremeta D14/432
9,901,497 B2 * 2/2018 Colvin, Sr. A61F 17/00
D824,330 S * 7/2018 Hao D13/110
D829,213 S * 9/2018 Szeremeta D14/432
D839,583 S * 2/2019 Cao D3/201
D846,264 S * 4/2019 Wu D3/201

* cited by examiner

Primary Examiner — Steven J Czyz
(74) *Attorney, Agent, or Firm* — Florek & Endres PLLC

(56) **References Cited**
U.S. PATENT DOCUMENTS

3,504,787 A * 4/1970 Brockway A61F 17/00
206/570
D333,727 S * 3/1993 Schurman D3/292
D367,211 S * 2/1996 Cautereels D3/294
D383,306 S * 9/1997 Pennoyer D3/294
5,850,630 A * 12/1998 Wilson G06F 19/3481
704/270
D426,996 S * 6/2000 Kourembanas D6/559
D458,127 S * 6/2002 de Groote D3/294
D458,751 S * 6/2002 Hsieh D3/273
D459,886 S * 7/2002 Jones D3/294
D487,192 S * 3/2004 Farnham D3/294
D527,182 S * 8/2006 Ham D3/274
D540,536 S * 4/2007 Lam D3/203.6
D566,395 S * 4/2008 Langer D3/294

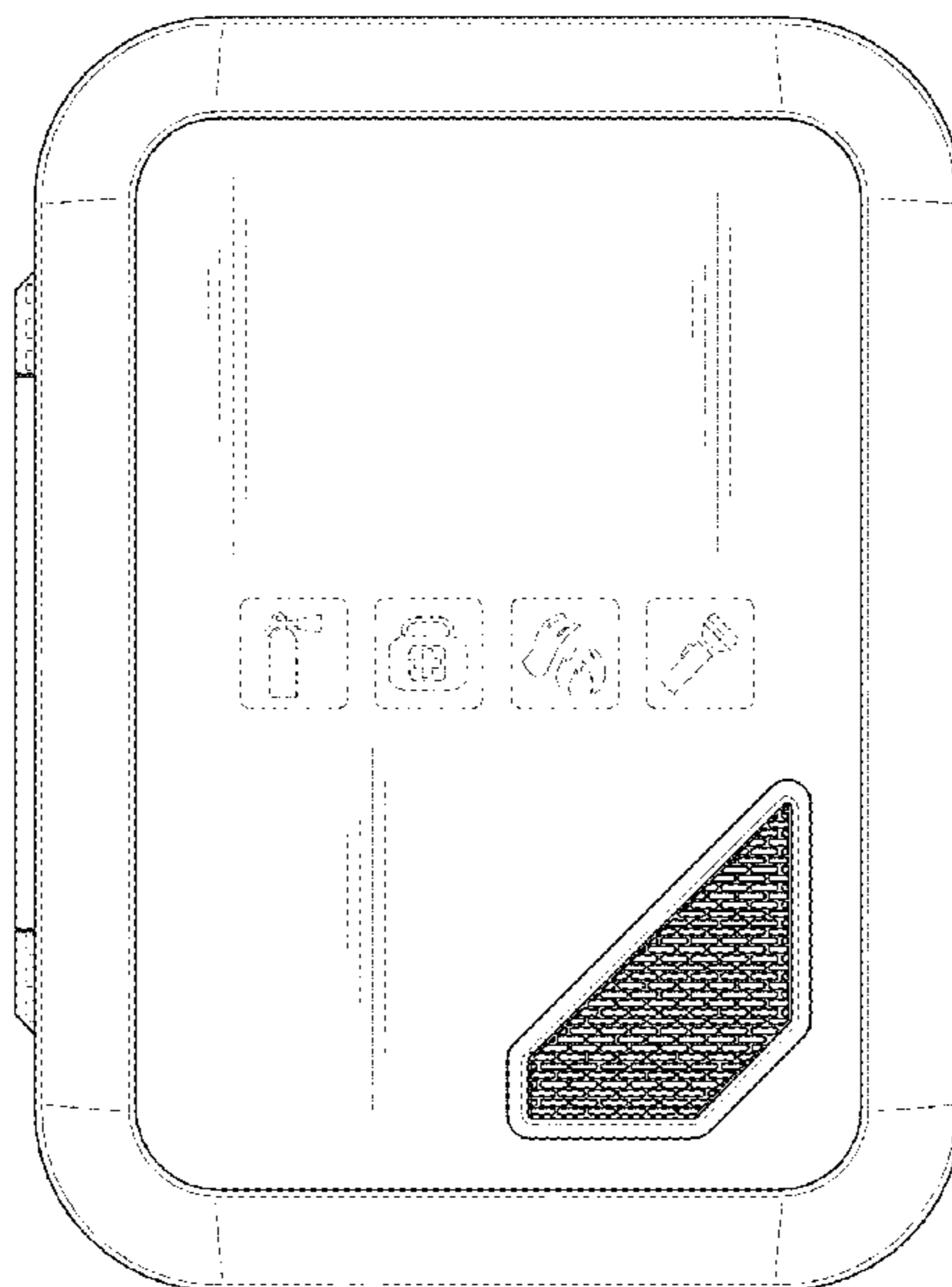
(57) **CLAIM**

The ornamental design for a wall mountable storage case, as shown.

DESCRIPTION

FIG. 1 is a front view of a wall mountable storage case.
FIG. 2 is a rear view thereof.
FIG. 3 is a perspective view thereof.
FIG. 4 is a right side view thereof.
FIG. 5 is a left side view thereof.
FIG. 6 is a top view thereof; and,
FIG. 7 is a bottom view thereof.
The broken lines depict portions of the article that form no part of the claimed design.

1 Claim, 7 Drawing Sheets



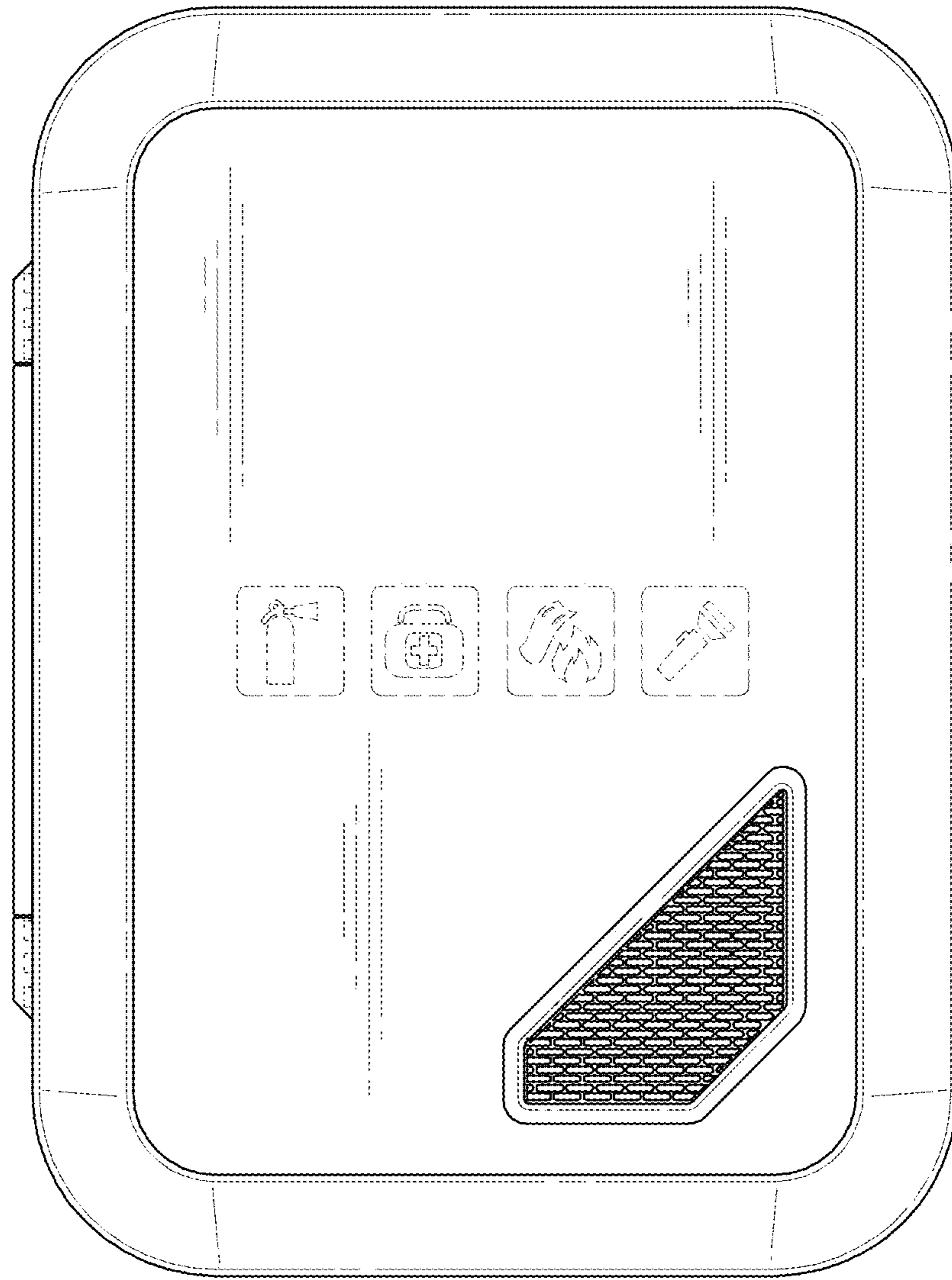


FIG. 1

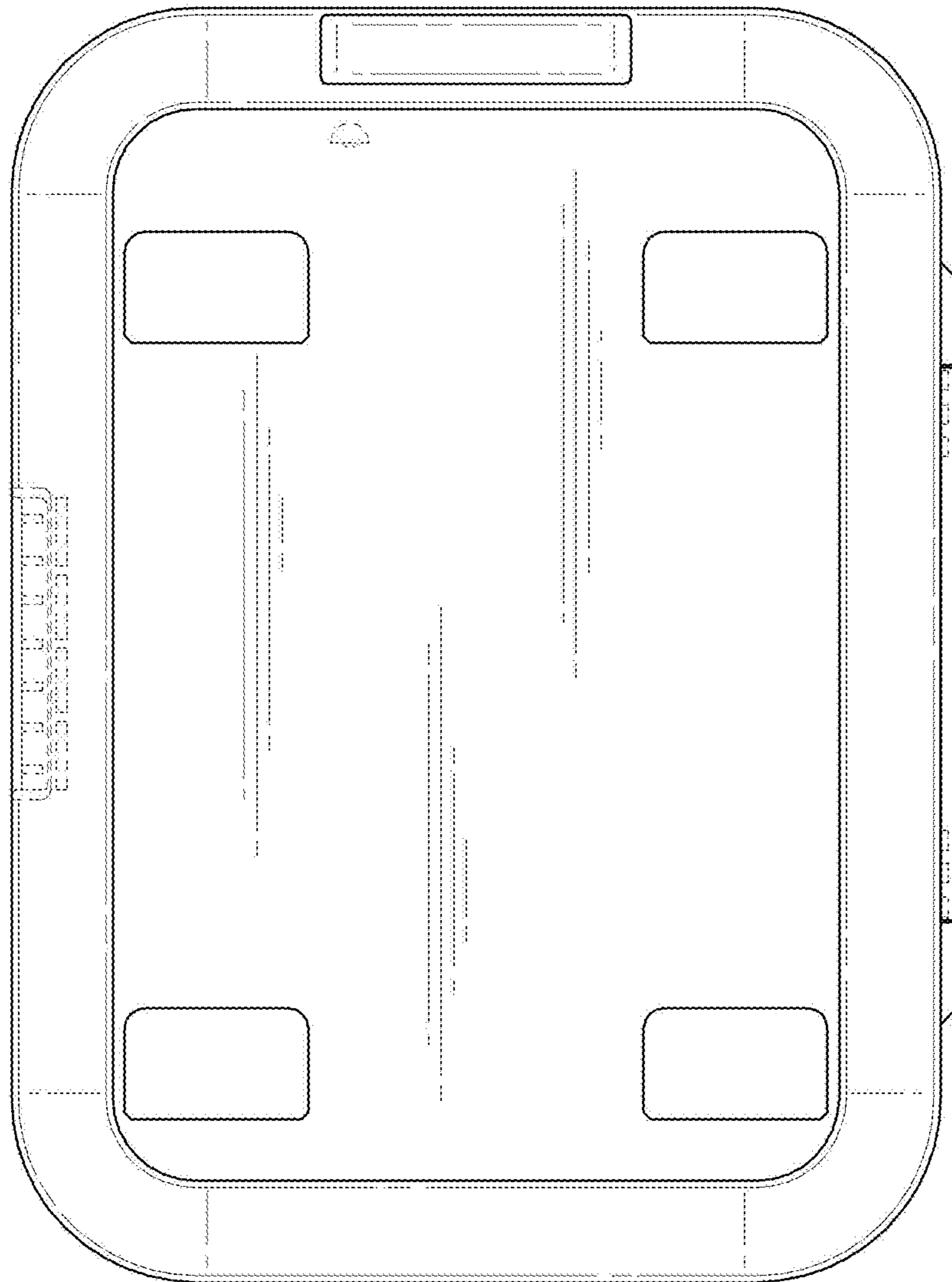


FIG. 2

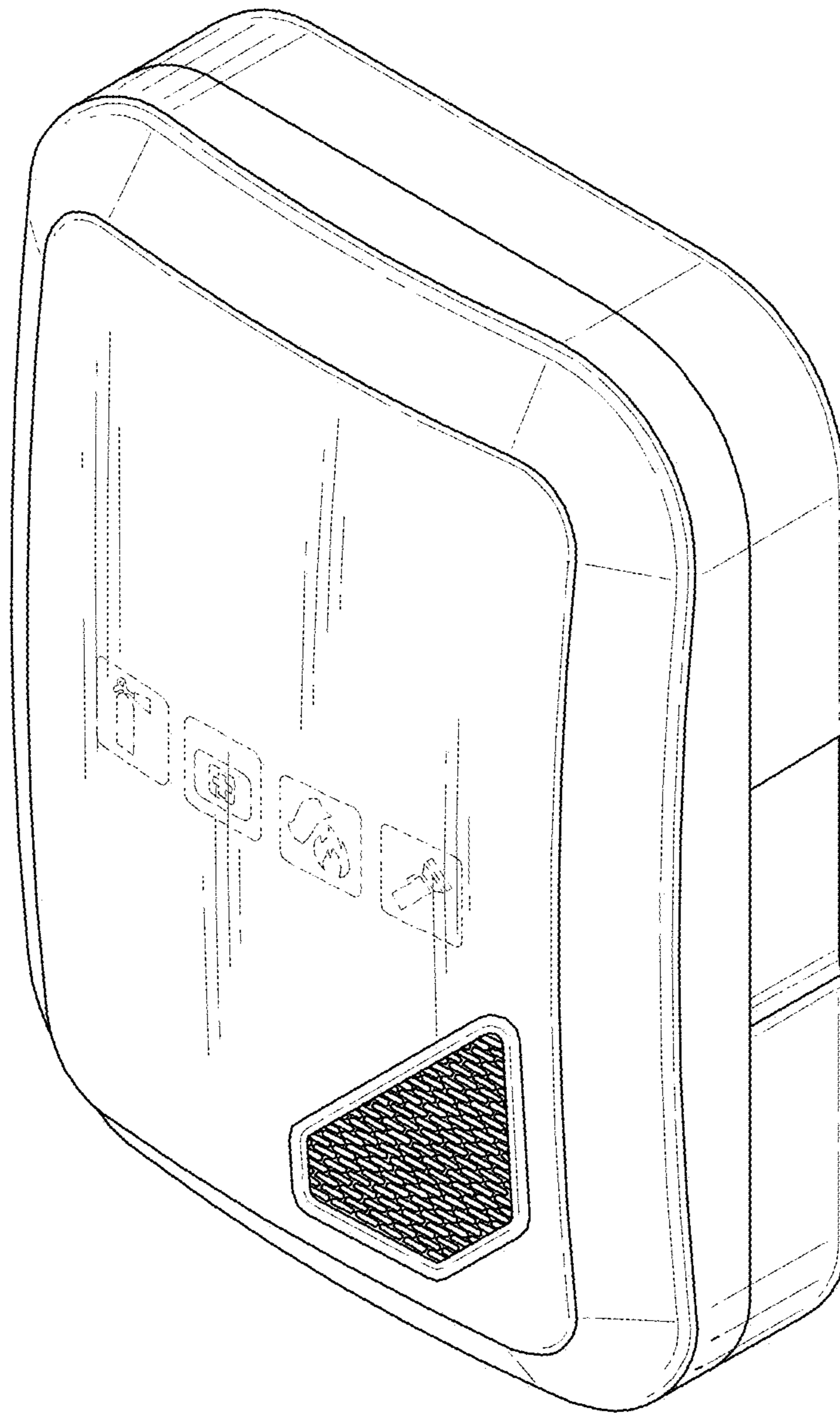


FIG. 3

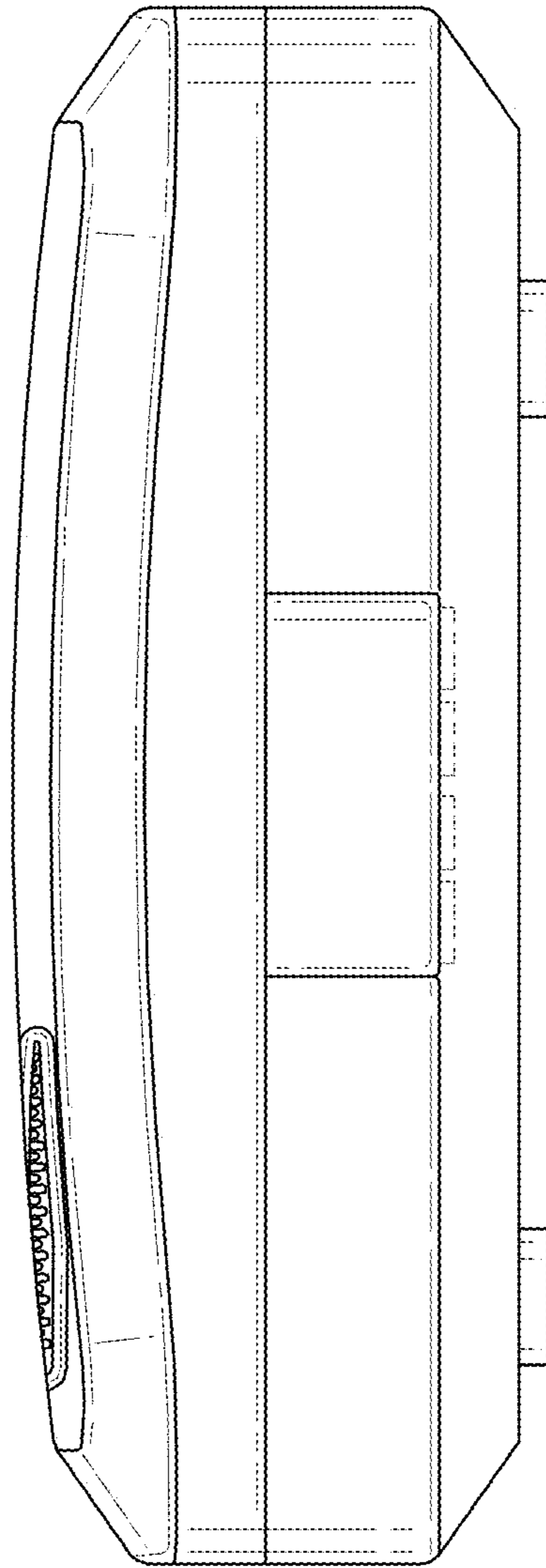


FIG. 4

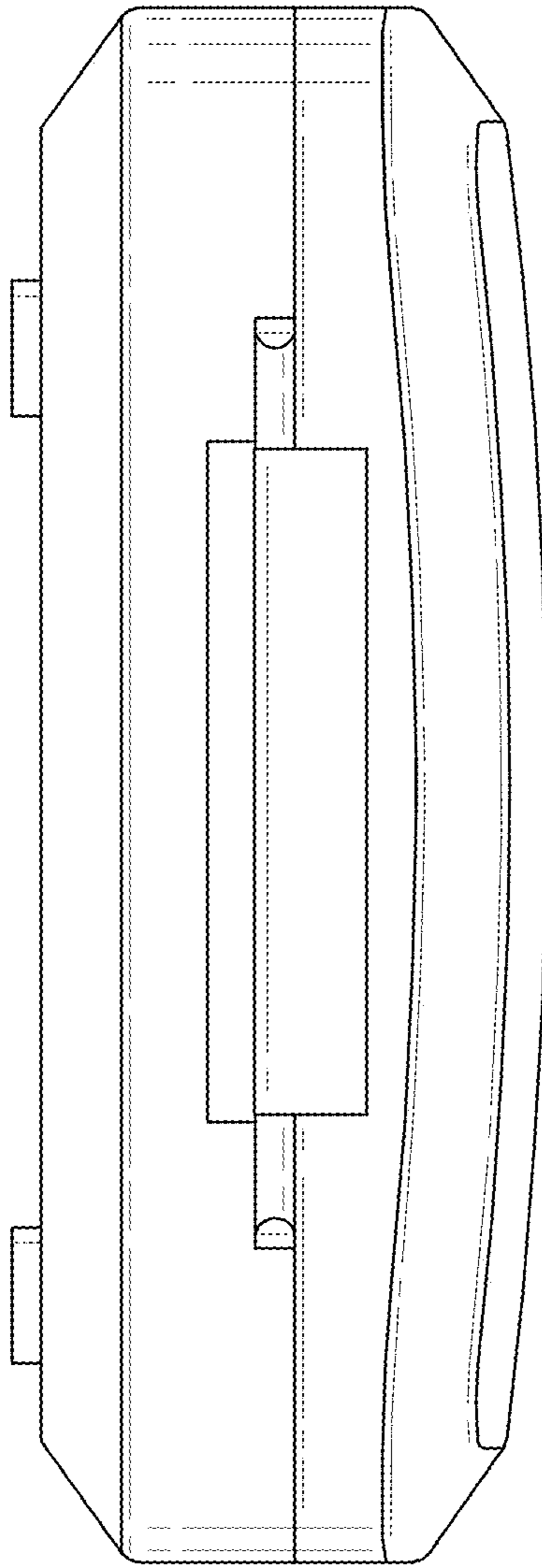


FIG. 5

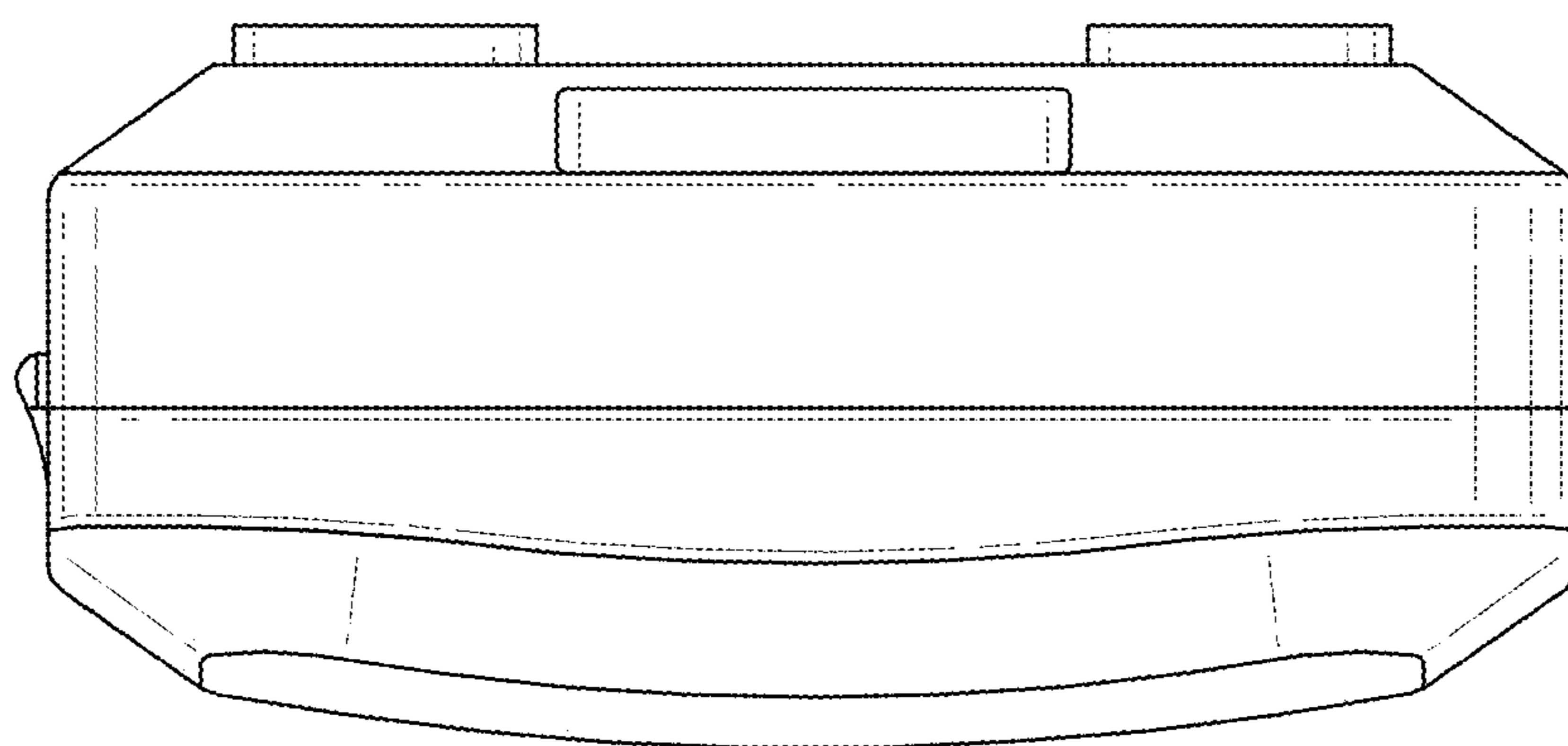


FIG. 6

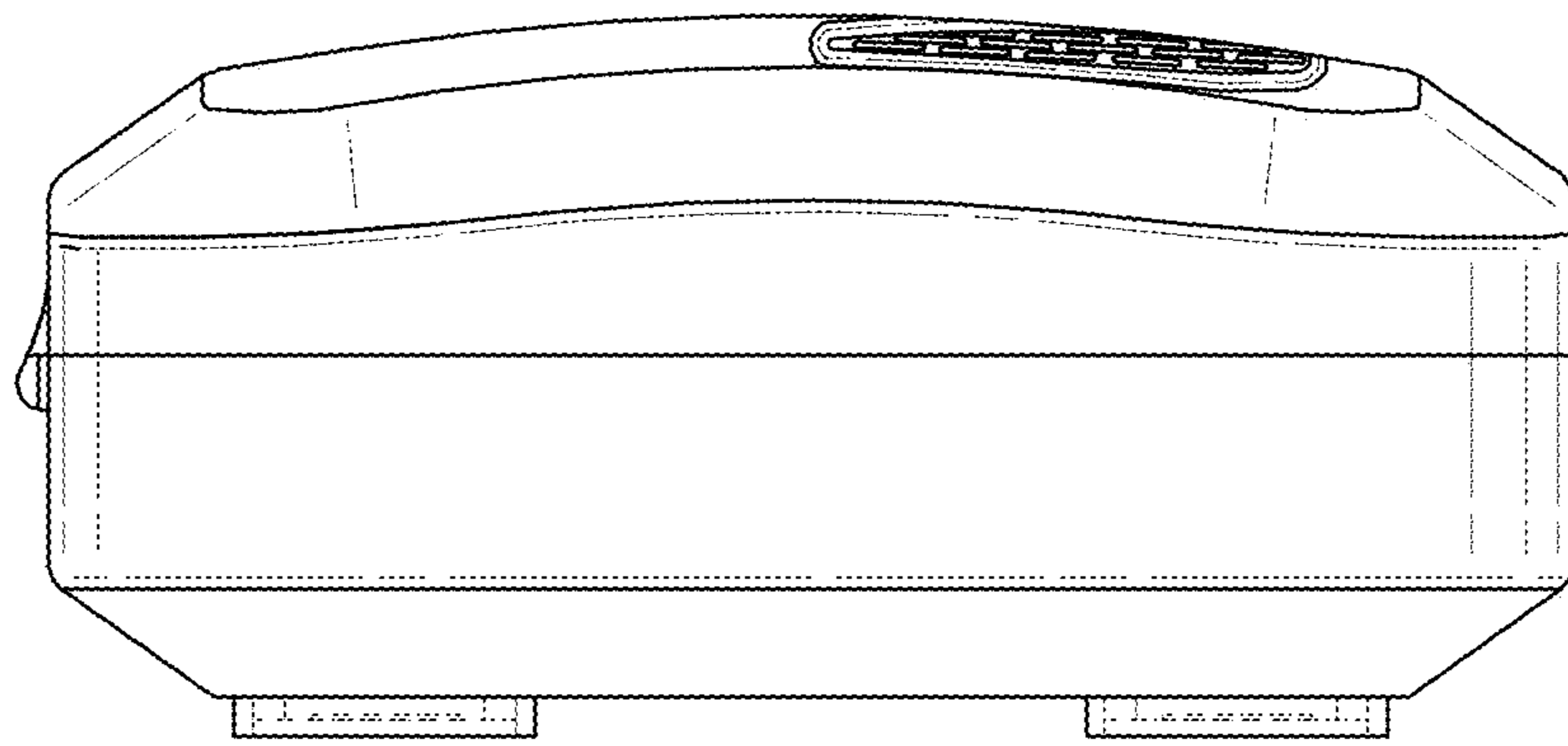


FIG. 7