



US00D906656S

(12) **United States Design Patent**
Montross et al.

(10) **Patent No.:** **US D906,656 S**
(45) **Date of Patent:** **** Jan. 5, 2021**

(54) **SHOE**

A43B 13/18; A43B 13/181; A43B 13/184; A43B 13/186; A43B 13/187; A43B 13/188; A43B 13/32

(71) Applicant: **Reebok International Limited**, London (GB)

See application file for complete search history.

(72) Inventors: **Matthew Montross**, Middleboro, MA (US); **Toby Birkinhead**, Hertfordshire (GB); **Daniel Hobson**, Waltham, MA (US); **Daniel Buonomo**, Waltham, MA (US)

(56) **References Cited**

U.S. PATENT DOCUMENTS

2,334,719 A	11/1943	Margolin	
D164,457 S *	9/1951	Sprigg	D2/954
4,297,796 A *	11/1981	Stirtz	A43B 13/18 36/28
D275,148 S *	8/1984	Bergmans	D2/956
D299,382 S *	1/1989	Diaz	D2/956
D425,689 S *	5/2000	Jannard	D2/953
D429,411 S *	8/2000	Gillespie	D2/947
D476,141 S	6/2003	Matis	
D533,708 S *	12/2006	Earle	D2/956
D655,901 S *	3/2012	Raysse	D2/954
D659,967 S	5/2012	Miner	

(Continued)

(73) Assignee: **Reebok International Limited**, London (GB)

(**) Term: **15 Years**

(21) Appl. No.: **29/747,220**

(22) Filed: **Aug. 20, 2020**

Related U.S. Application Data

(63) Continuation of application No. 29/697,364, filed on Jul. 8, 2019, now Pat. No. Des. 893,836, which is a continuation of application No. 29/656,061, filed on Jul. 10, 2018, now Pat. No. Des. 854,305, which is a continuation of application No. 29/569,257, filed on Jun. 24, 2016, now Pat. No. Des. 825,163.

Primary Examiner — Elizabeth J Oswecki

(74) *Attorney, Agent, or Firm* — Sterne, Kessler, Goldstein & Fox P.L.L.C.

(51) **LOC (13) Cl.** **02-04**

(52) **U.S. Cl.**
USPC **D2/956**; D2/954; D2/960; D2/951; D2/959

(57) **CLAIM**

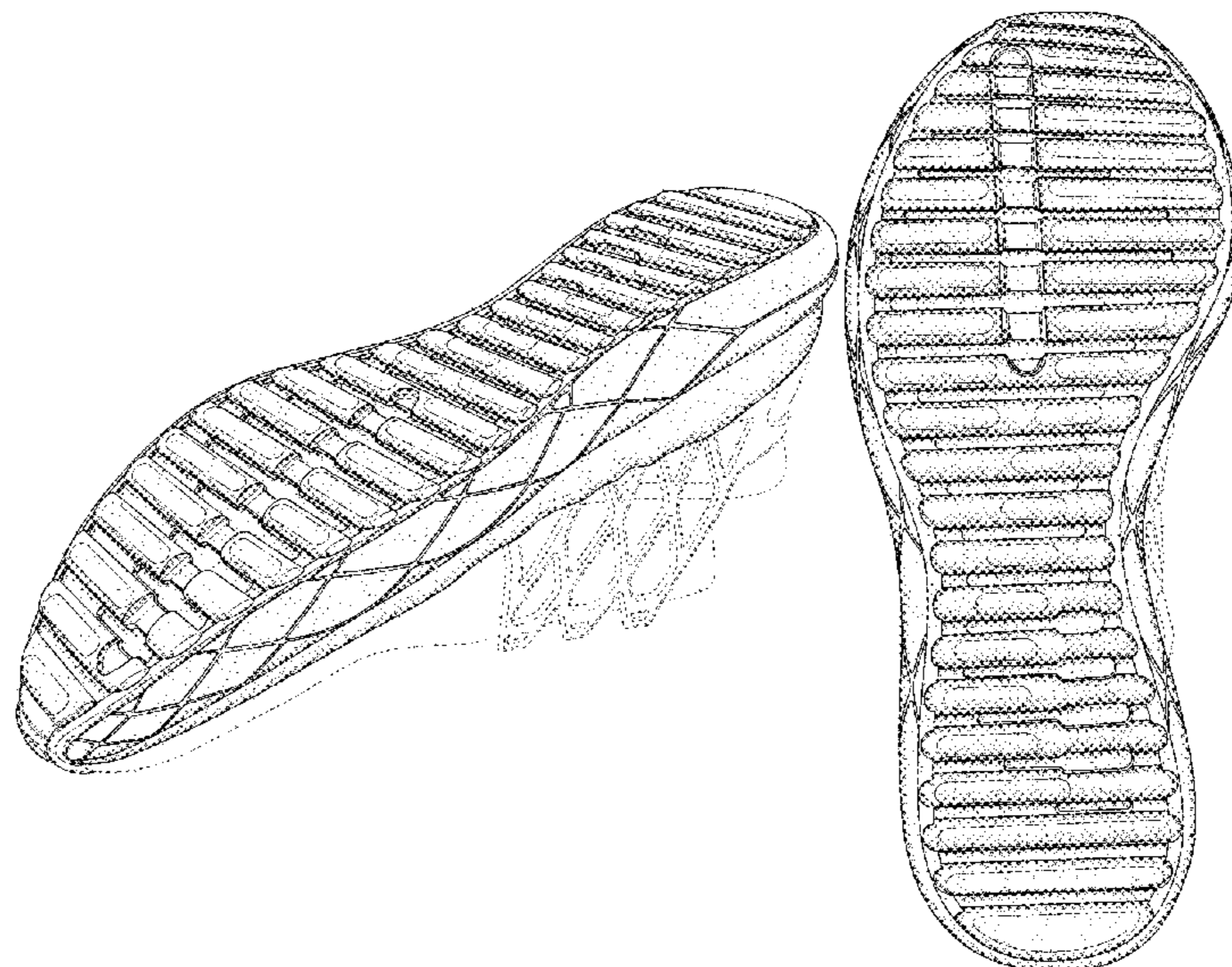
The ornamental design for a shoe, as shown and described.

DESCRIPTION

(58) **Field of Classification Search**
USPC D2/896, 902, 905, 906, 907, 908, 946, D2/947, 951, 953, 954, 955, 956, 959, D2/960, 968, 977
CPC A43B 5/00; A43B 5/001; A43B 5/002; A43B 5/003; A43B 5/007; A43B 5/008; A43B 5/02; A43B 5/025; A43B 5/06; A43B 5/08; A43B 5/10; A43B 5/14; A43B 13/00; A43B 13/02; A43B 13/023; A43B 13/04; A43B 13/14; A43B 13/141;

FIG. 1 is a top perspective view of a shoe showing our new design;
FIG. 2 is a bottom perspective view thereof;
FIG. 3 is a front view thereof;
FIG. 4 is a rear view thereof;
FIG. 5 is a left side view thereof;
FIG. 6 is a right side view thereof;
FIG. 7 is a top view thereof; and,
FIG. 8 is a bottom view thereof.
The broken lines in the figures show portions of the shoe that form no part of the claimed design.

1 Claim, 7 Drawing Sheets



(56)

References Cited

U.S. PATENT DOCUMENTS

D675,002 S	1/2013	Marvin et al.	9,615,625 B1 *	4/2017	Huard	A43B 13/122
D682,522 S *	5/2013	Raysse	D802,899 S	11/2017	Bischoff et al.	
D707,023 S	6/2014	Della Valle et al.	D804,793 S	12/2017	Lee	
D708,430 S *	7/2014	Weeks	D809,759 S	2/2018	Kanata	
D712,122 S	9/2014	Tucker et al.	D825,163 S	8/2018	Montross et al.	
D712,645 S	9/2014	Bove	D843,095 S *	3/2019	Birkinhead	D2/957
D713,135 S	9/2014	Tucker et al.	10,278,451 B2 *	5/2019	Madore	A43B 13/04
D723,784 S	3/2015	Miner	D858,066 S *	9/2019	Hatfield	D2/959
D723,785 S	3/2015	Miner	D871,038 S *	12/2019	Roulo	D2/960
D724,297 S	3/2015	Oliver	D879,437 S *	3/2020	Brosseau	D2/959
D725,359 S	3/2015	Miner	D880,130 S *	4/2020	Kaiserswerth	D2/957
D735,454 S	8/2015	Yun	D892,478 S *	8/2020	Hobson	D2/947
D748,385 S	2/2016	Birkinhead et al.	D893,836 S *	8/2020	Montross	D2/902
D753,376 S	4/2016	Birkinhead	2006/0130368 A1	6/2006	Morgan	
D781,040 S	3/2017	Scofield	2009/0139112 A1 *	6/2009	Garneau	A43B 5/14 36/131
D783,966 S	4/2017	Raasch	2011/0016746 A1	1/2011	Callahan et al.	
D784,674 S	4/2017	Raasch	2012/0222332 A1	9/2012	Greene et al.	
			2013/0152428 A1	6/2013	Bishop et al.	
			2017/0020228 A1	1/2017	Scofield et al.	

* cited by examiner

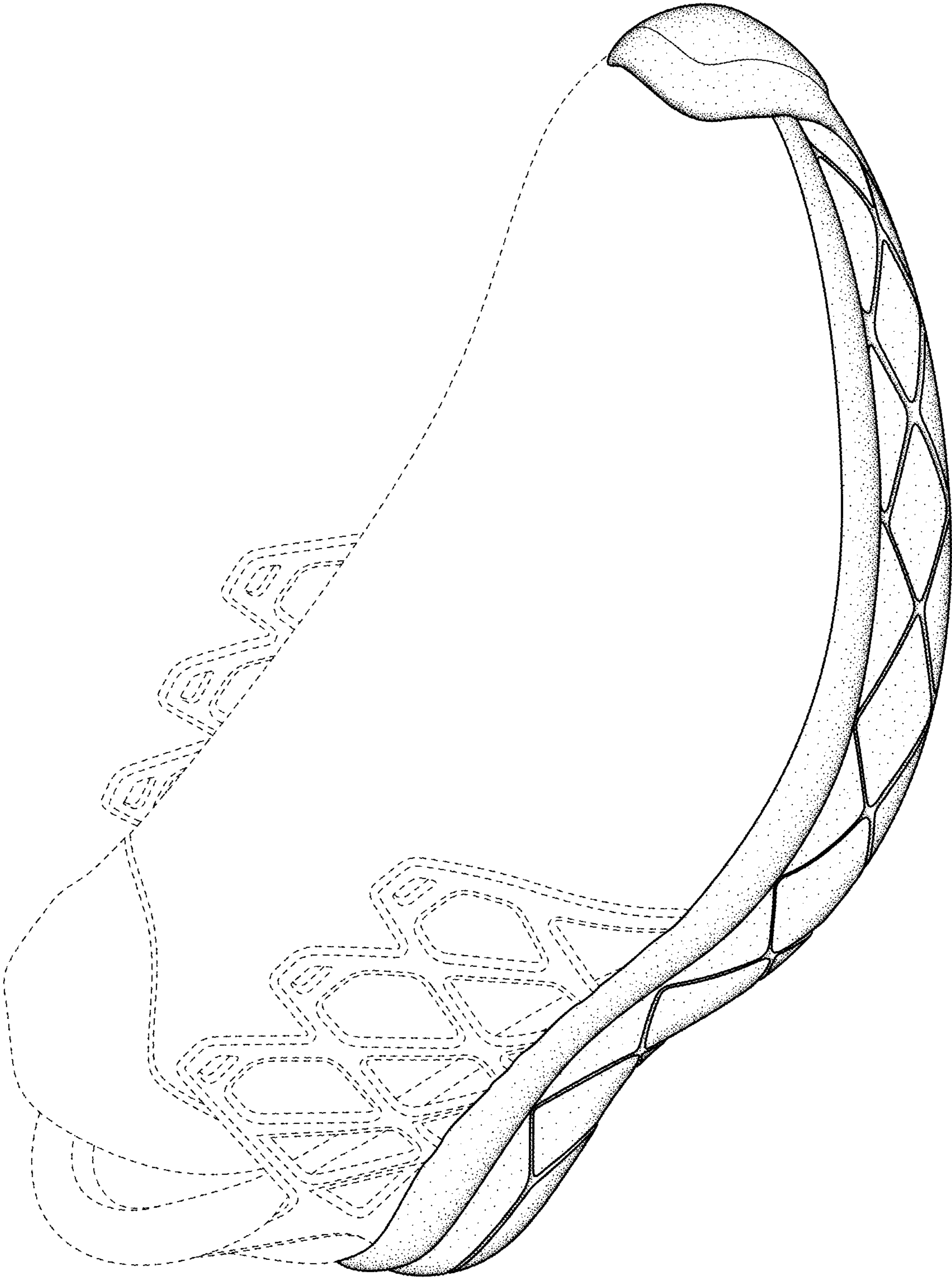


FIG. 1

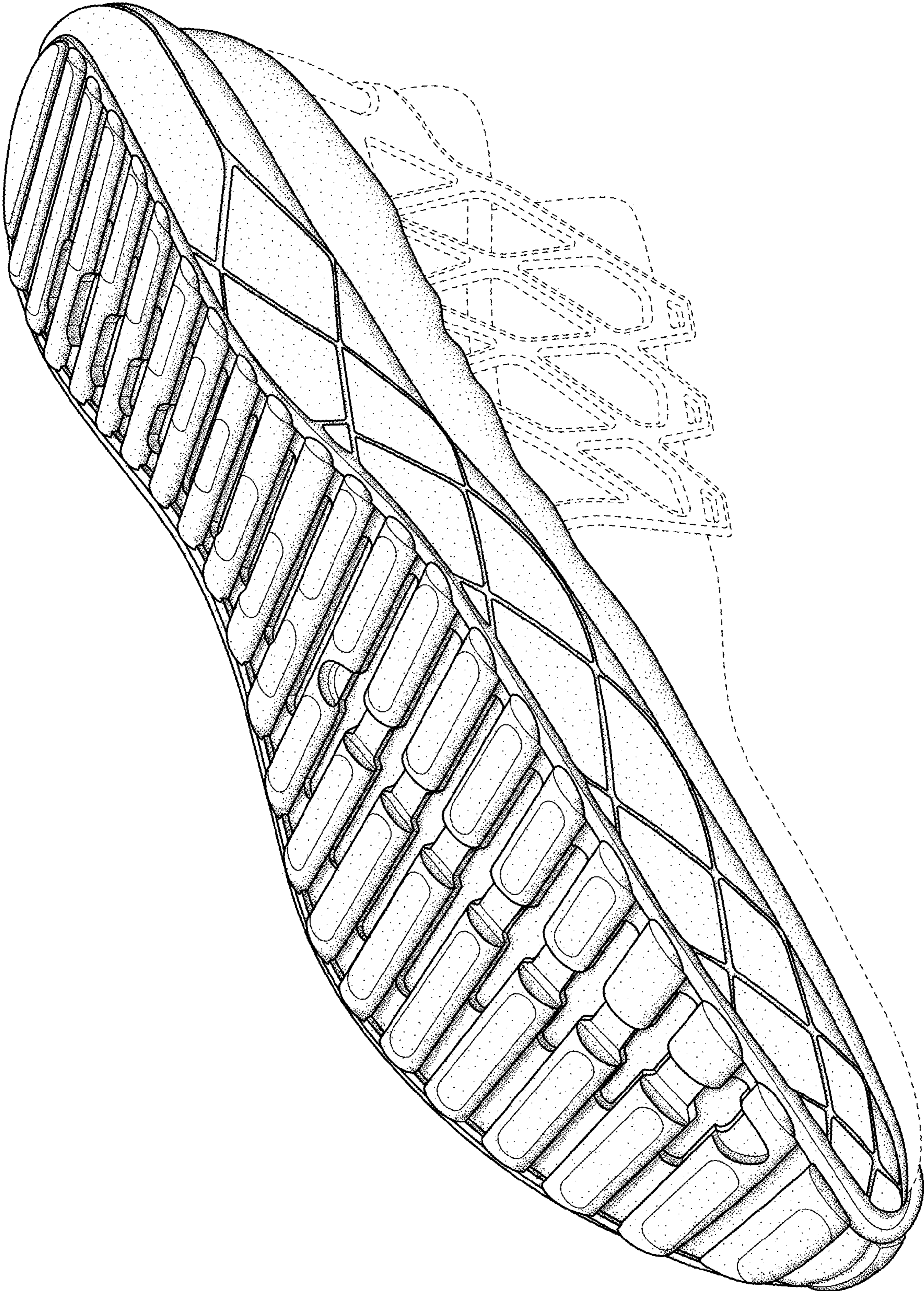


FIG. 2

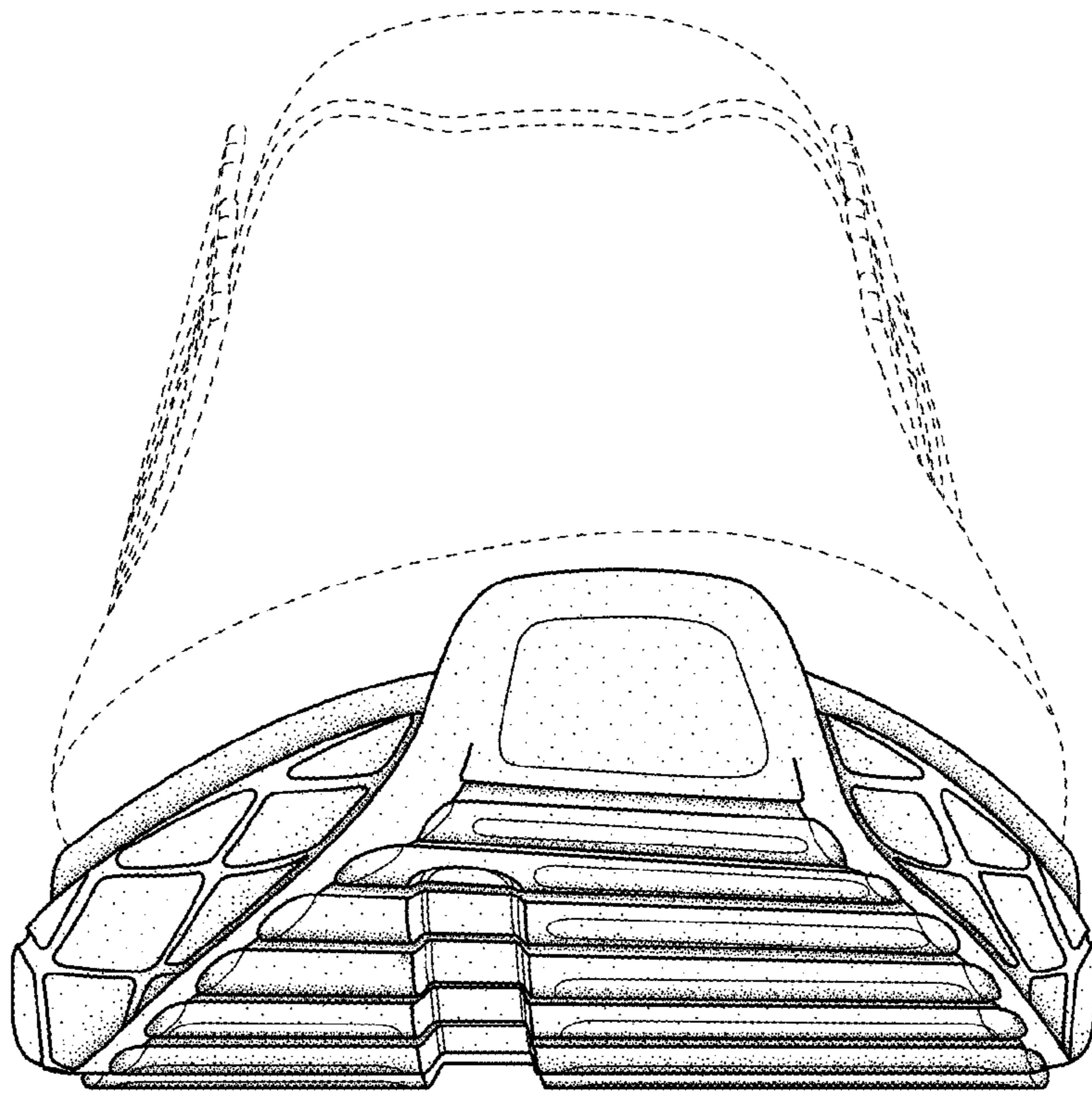


FIG. 3

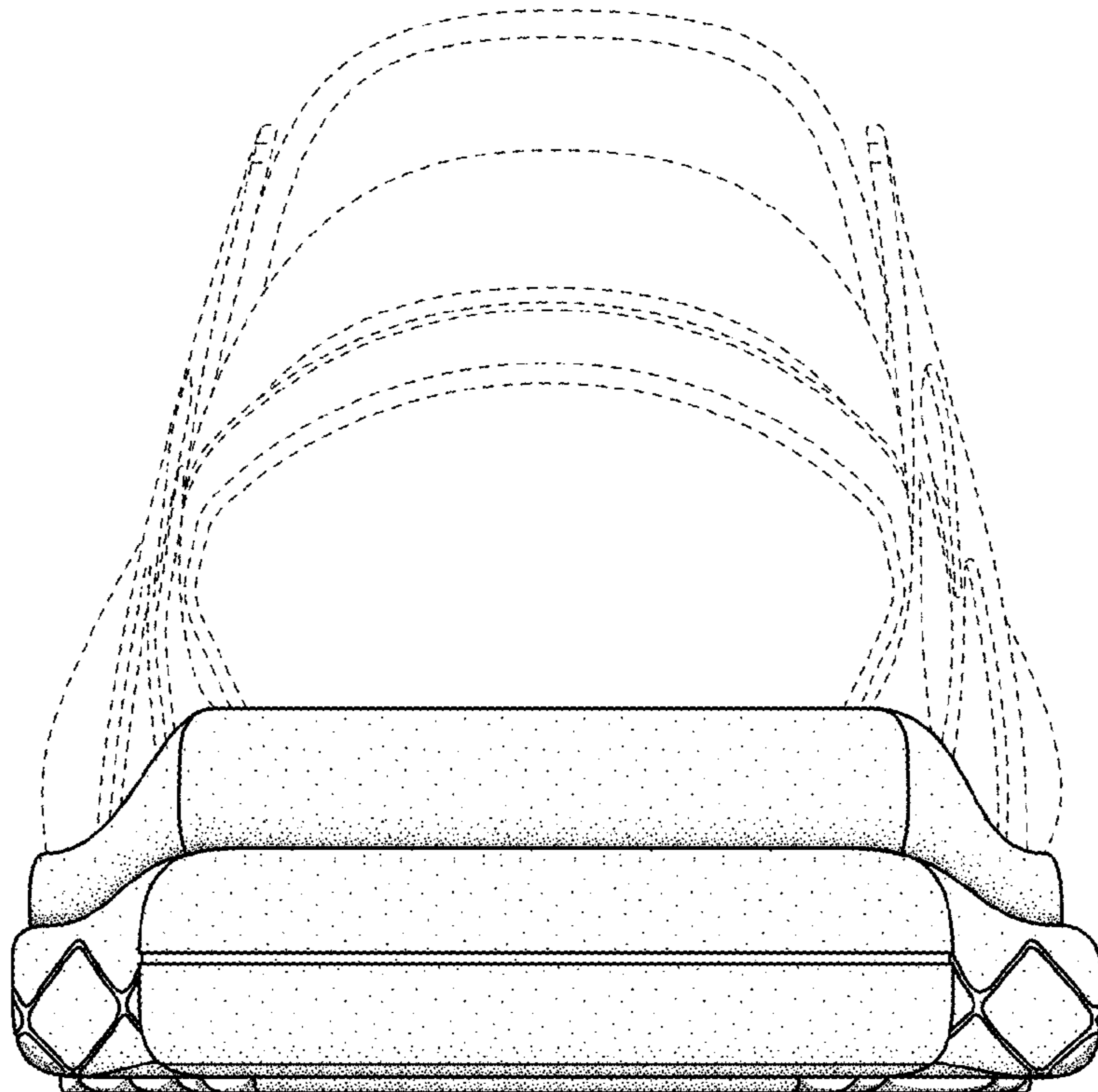


FIG. 4

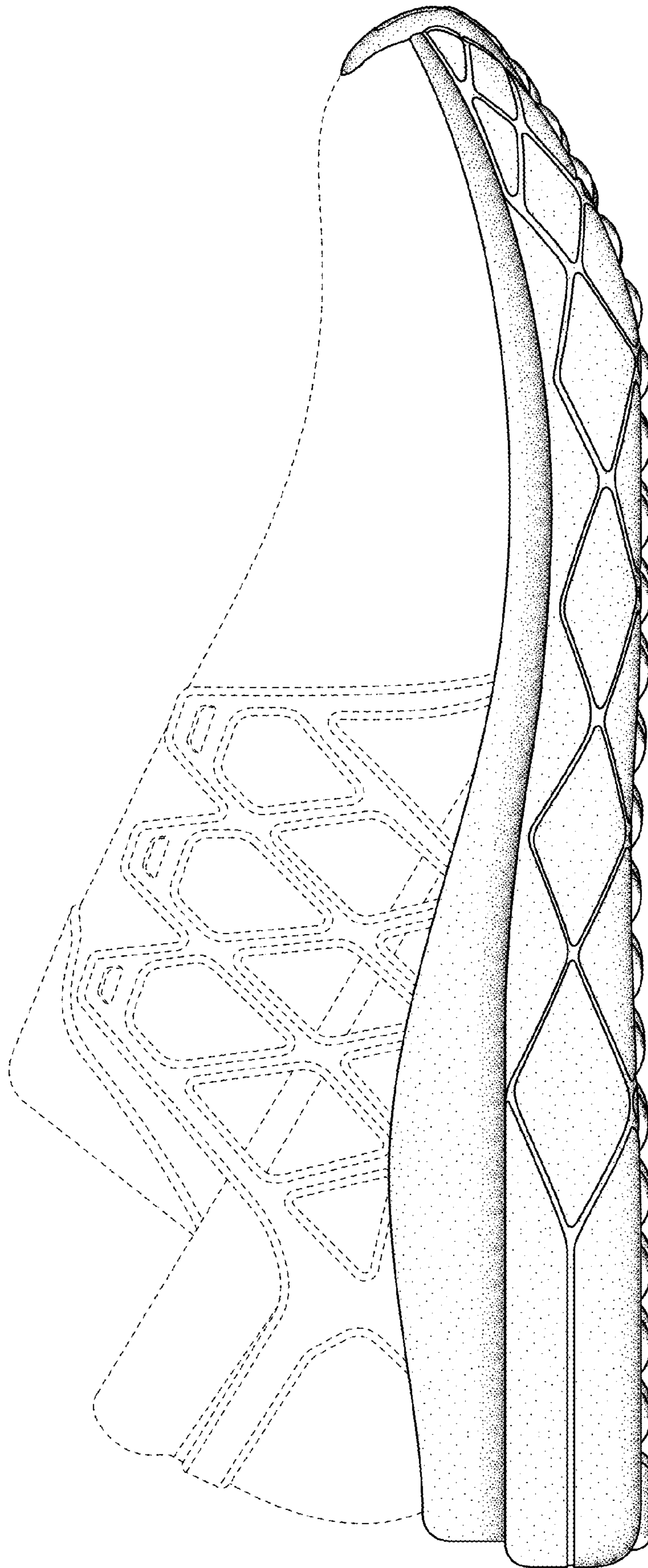


FIG. 5

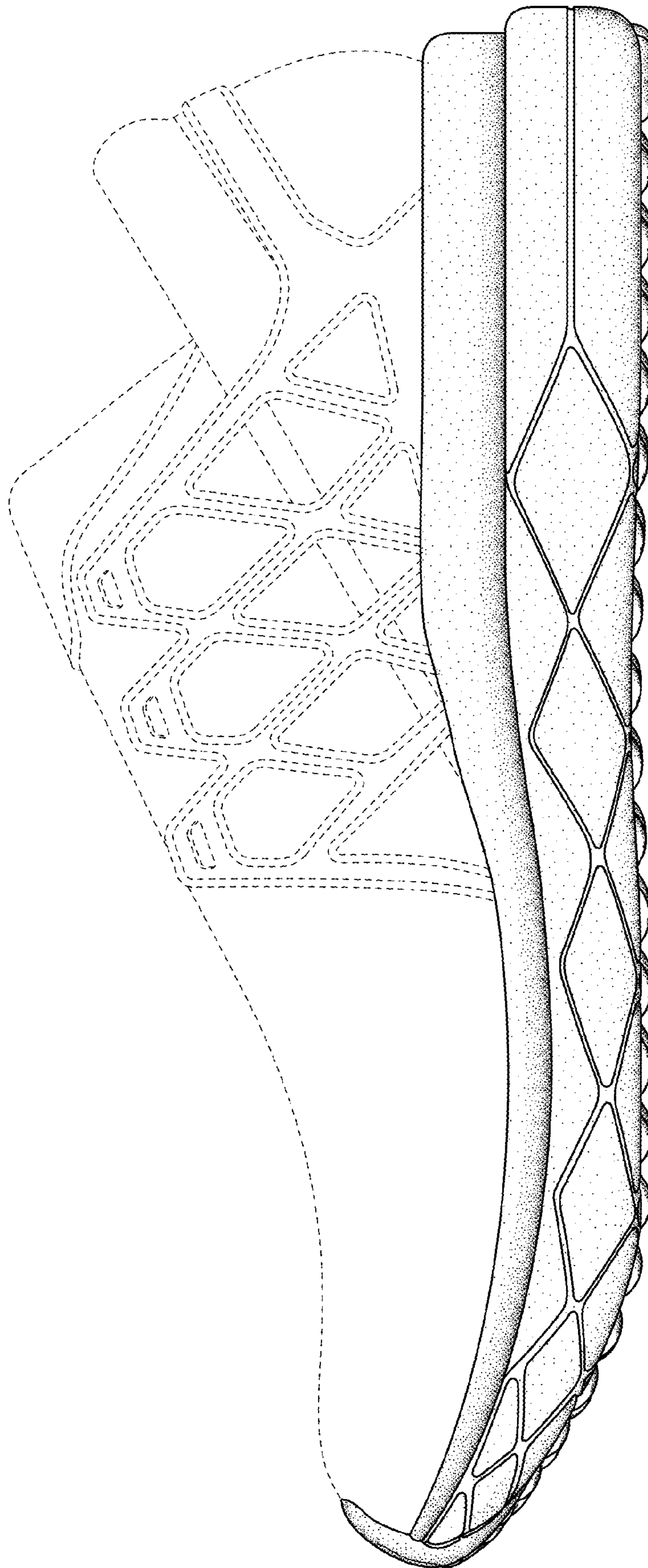


FIG. 6

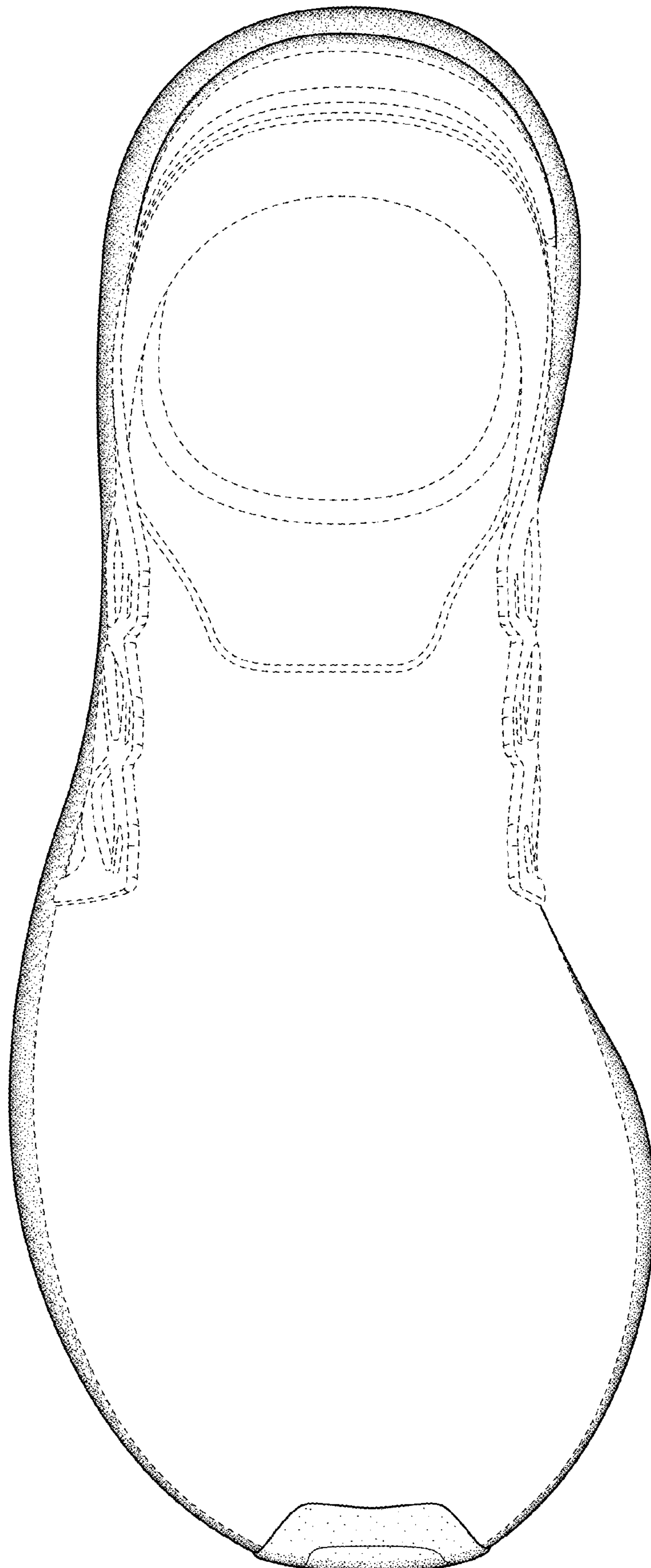


FIG. 7

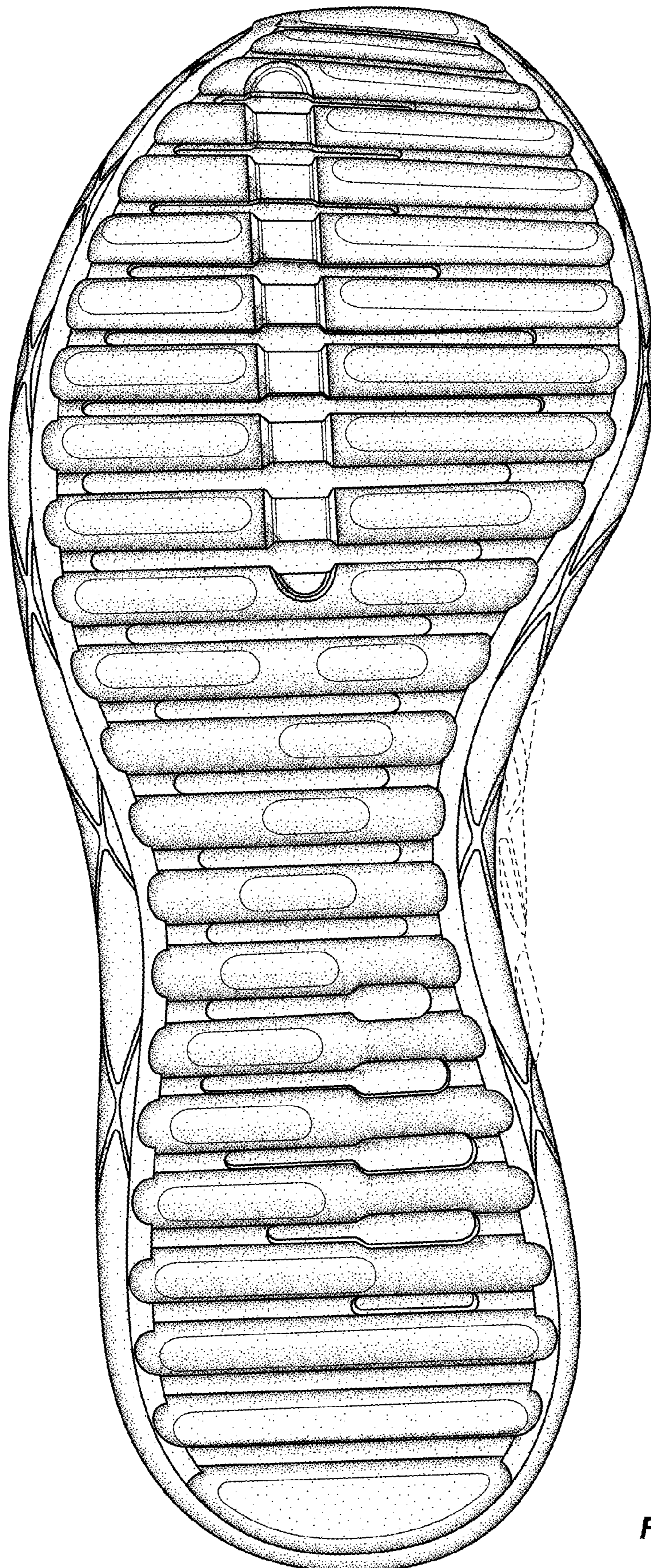


FIG. 8