

US00D906652S

(12) **United States Design Patent** (10) **Patent No.:** **US D906,652 S**  
**Lee** (45) **Date of Patent:** **\*\* Jan. 5, 2021**

- (54) **SHOE**
- (71) Applicant: **PUMA SE**, Herzogenaurach (DE)
- (72) Inventor: **Sungho Lee**, Nuremberg (DE)
- (73) Assignee: **PUMA SE**, Herzogenaurach (DE)
- (\*\*) Term: **15 Years**
- (21) Appl. No.: **29/732,362**
- (22) Filed: **Apr. 23, 2020**

- (56) **References Cited**
- U.S. PATENT DOCUMENTS
- |             |         |            |
|-------------|---------|------------|
| D116,635 S  | 9/1939  | Stuart     |
| D133,176 S  | 7/1942  | Gregg      |
| 2,405,498 A | 8/1946  | Gregg      |
| D173,700 S  | 12/1954 | Hosker     |
| D226,883 S  | 5/1973  | Babicka    |
| D226,885 S  | 5/1973  | McBarron   |
| D236,559 S  | 9/1975  | Senter     |
| D236,560 S  | 9/1975  | Senter     |
| D237,425 S  | 11/1975 | Askew      |
| D237,427 S  | 11/1975 | Thornberry |
- (Continued)

**Related U.S. Application Data**

- (63) Continuation of application No. 29/680,247, filed on Feb. 14, 2019, now Pat. No. Des. 885,723.
- (51) **LOC (13) Cl.** ..... **02-04**
- (52) **U.S. Cl.**  
USPC ..... **D2/947**; D2/960
- (58) **Field of Classification Search**  
USPC ..... D2/902, 906, 908, 916, 918, 925, D2/946-962, 977; 36/1, 1.5, 3 B, 22 R, 36/24.5, 25 R, 28, 32 R, 34 R, 59 C, 36/67 A, 101-107, 114-116, 117.3, 117.4, 36/124-136  
CPC ..... A43B 13/00; A43B 13/02; A43B 13/023; A43B 13/026; A43B 13/04; A43B 13/08; A43B 13/10; A43B 13/12; A43B 13/14; A43B 13/141; A43B 13/143; A43B 13/16; A43B 13/18; A43B 13/181; A43B 13/187; A43B 13/189; A43B 13/20; A43B 13/22; A43B 13/223; A43B 13/24; A43B 13/28; A43B 13/30; A43B 13/32; A43B 13/34; A43B 13/36

See application file for complete search history.

- OTHER PUBLICATIONS**
- “Ashish x Underground,” Dazed, dated Jun. 10, 2011, accessed on Mar. 12, 2019, <<http://www.dazeddigital.com/fashion/article/10575/1/ashish-x-underground>>, 7 pages.
- (Continued)

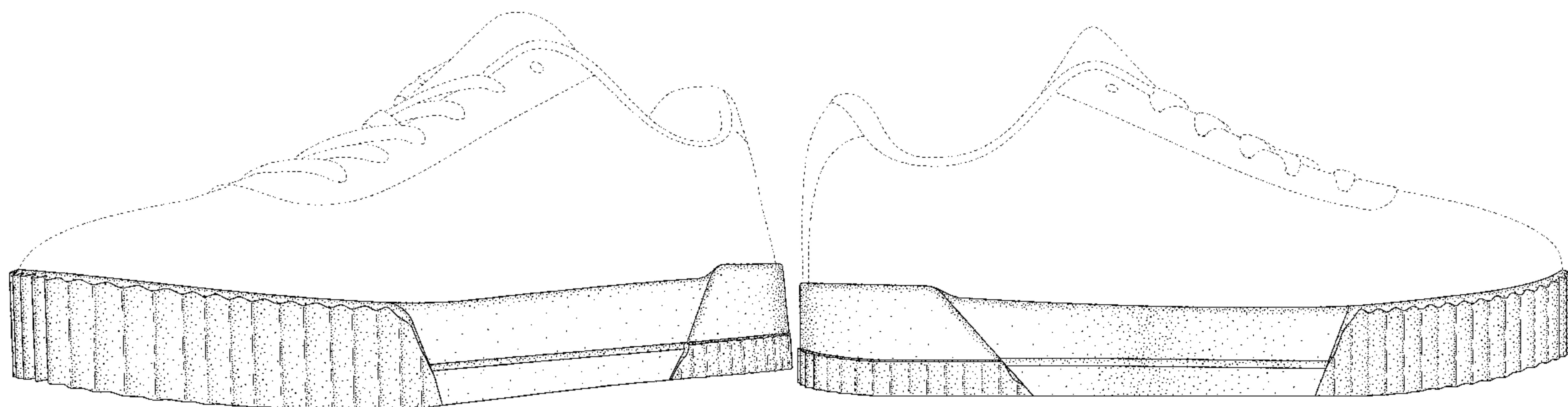
*Primary Examiner* — T Chase Nelson  
*Assistant Examiner* — Jonathan J. Han  
 (74) *Attorney, Agent, or Firm* — Quarles & Brady LLP

(57) **CLAIM**  
 The ornamental design for a shoe, as shown and described.

**DESCRIPTION**

FIG. 1 is a top, left, and front perspective view of an ornamental design for a shoe;  
 FIG. 2 is a front elevational view of the shoe of FIG. 1;  
 FIG. 3 is a rear elevational view of the shoe of FIG. 1;  
 FIG. 4 is a left side elevational view of the shoe of FIG. 1;  
 FIG. 5 is a right side elevational view of the shoe of FIG. 1;  
 FIG. 6 is a top plan view of the shoe of FIG. 1; and,  
 FIG. 7 is a bottom plan view of the shoe of FIG. 1.  
 The broken lines are included for the purpose of illustrating portions of the shoe that form no part of the claimed design.

**1 Claim, 7 Drawing Sheets**



(56)

References Cited

U.S. PATENT DOCUMENTS

D238,626 S	2/1976	Senter	
D238,983 S	3/1976	Senter	
D239,478 S	4/1976	Senter	
D239,479 S	4/1976	Senter	
D239,983 S	5/1976	Senter	
D240,470 S	7/1976	Ford	
D242,401 S	11/1976	Wunsch	
D243,421 S	2/1977	Cohen	
D245,211 S	8/1977	Krome	
D249,748 S	10/1978	Kitamura	
4,137,653 A	2/1979	Famolare, Jr.	
D265,015 S	6/1982	Higgins	
D278,093 S	3/1985	Ueda	
D281,457 S	11/1985	Po	
D296,039 S	* 6/1988	Diaz .....	D2/955
D296,040 S	* 6/1988	Le .....	D2/953
D297,185 S	8/1988	Berzak	
4,890,398 A	1/1990	Thomasson	
D315,440 S	3/1991	Hegy	
D317,076 S	5/1991	Skinner	
D324,293 S	3/1992	Rogers	
D329,529 S	9/1992	Hatfield	
D331,143 S	11/1992	McDonald	
D332,688 S	1/1993	Autry	
D338,326 S	8/1993	Dolinsky	
D342,377 S	12/1993	Smith	
5,488,786 A	2/1996	Ratay	
D379,861 S	6/1997	Wunsch	
D384,806 S	10/1997	Pallera	
D387,550 S	12/1997	Ng et al.	
D394,742 S	6/1998	Gaudio	
D396,739 S	8/1998	Pallera	
D397,841 S	9/1998	Munns	
D397,851 S	9/1998	Greenberg	
D402,794 S	12/1998	Spriggs	
D410,137 S	5/1999	Kelley	
D410,962 S	6/1999	Iwahashi	
5,915,820 A	6/1999	Krauter et al.	
D429,061 S	8/2000	Burruano et al.	
D444,939 S	7/2001	Hamel	
D447,853 S	9/2001	Merceron	
D449,426 S	10/2001	Pollastrelli	
6,354,020 B1	3/2002	Kimball et al.	
D459,062 S	6/2002	Pollastrelli	
D465,902 S	11/2002	Ammon et al.	
D473,041 S	4/2003	Finkelberg	
D490,232 S	5/2004	Kuerbis	
D492,473 S	7/2004	White	
D499,239 S	* 12/2004	Burg .....	D2/953
D503,028 S	3/2005	Merceron	
D516,293 S	3/2006	Smith, III	
D528,776 S	9/2006	Hui	
D544,702 S	6/2007	Link	
D563,631 S	* 3/2008	Dolce .....	D2/896
D569,587 S	5/2008	James	
D569,588 S	* 5/2008	James .....	D2/908
D571,988 S	7/2008	Dillenbeck	
D572,440 S	7/2008	Polegato Moretti	
D573,780 S	7/2008	Davis et al.	
D577,880 S	* 10/2008	White .....	D2/896
D582,133 S	12/2008	Del Biondi	
D583,132 S	12/2008	Polegato Moretti	
D584,033 S	* 1/2009	Dolce .....	D2/902
D586,993 S	2/2009	Banik et al.	
D590,137 S	4/2009	Austin	
D593,741 S	6/2009	Vico et al.	
7,543,397 B2	6/2009	Kilgore et al.	
D595,937 S	7/2009	Morris	
D613,041 S	* 4/2010	Thompson .....	D2/902
D613,480 S	* 4/2010	Lamont .....	D2/902
D613,481 S	* 4/2010	Yarn .....	D2/902
D615,734 S	5/2010	Di Nucci	
D625,491 S	* 10/2010	Morton .....	D2/908
D632,876 S	* 2/2011	Choi .....	D2/896
D635,746 S	* 4/2011	Cofinco .....	D2/896
D636,155 S	4/2011	Della Valle et al.	
D636,156 S	4/2011	Della Valle et al.	
D636,157 S	4/2011	Nascimento	
D648,514 S	11/2011	Avar	
D651,387 S	1/2012	Van Zyll De Jong et al.	
D653,842 S	2/2012	Weiss	
D659,367 S	5/2012	Hurayt	
D659,953 S	5/2012	Van Zyll De Jong et al.	
D659,972 S	5/2012	Hurayt	
D660,566 S	5/2012	Van Zyll De Jong et al.	
D662,697 S	7/2012	Portzline	
D670,070 S	11/2012	Della Valle et al.	
D670,479 S	* 11/2012	Maier .....	D2/907
D675,418 S	2/2013	Van Zyll De Jong et al.	
D677,865 S	3/2013	Van Zyll De Jong et al.	
D680,309 S	4/2013	Raysse	
D680,714 S	4/2013	Della Valle et al.	
D680,720 S	4/2013	Smith et al.	
D681,315 S	5/2013	Della Valle et al.	
D681,316 S	5/2013	Della Valle et al.	
D681,317 S	5/2013	Della Valle et al.	
D682,515 S	5/2013	Della Valle et al.	
D683,526 S	6/2013	Day, Jr.	
D683,937 S	6/2013	Raysse	
D686,805 S	7/2013	Day, Jr.	
8,474,153 B2	7/2013	Brie et al.	
D689,673 S	9/2013	Kampf	
D689,674 S	9/2013	Kampf	
D690,088 S	9/2013	Hardman	
D691,786 S	10/2013	Weitzman	
D694,498 S	12/2013	Carboy	
D699,423 S	2/2014	Della Valle et al.	
D700,419 S	3/2014	Della Valle et al.	
D701,023 S	3/2014	Della Valle et al.	
D701,373 S	3/2014	Della Valle et al.	
D702,423 S	4/2014	Della Valle et al.	
D703,927 S	* 5/2014	Taestensen .....	D2/953
D706,524 S	6/2014	Smith et al.	
D707,938 S	7/2014	Spring	
D708,828 S	7/2014	Avar et al.	
D714,037 S	9/2014	Della Valle et al.	
D717,032 S	11/2014	Van Zyll De Jong et al.	
D717,535 S	11/2014	Kelley	
D718,038 S	11/2014	Kelley	
D723,785 S	3/2015	Miner	
D724,298 S	3/2015	Zaedow	
D725,356 S	3/2015	Miner	
D729,503 S	5/2015	Carroll et al.	
D731,162 S	6/2015	Cin	
D731,761 S	6/2015	Carroll et al.	
D737,554 S	9/2015	Della Valle et al.	
D738,084 S	9/2015	Feeney	
D741,055 S	10/2015	Avar	
D746,030 S	12/2015	Avar	
D748,383 S	2/2016	Raysse	
D751,797 S	3/2016	Slimane	
D752,322 S	3/2016	Tomat	
D760,483 S	7/2016	Siegel	
D762,953 S	8/2016	Del Biondi et al.	
D762,955 S	* 8/2016	Buscemi .....	D2/943
D769,586 S	10/2016	Buscemi	
D774,288 S	12/2016	Pina	
D783,244 S	* 4/2017	Cappini .....	D2/943
D787,789 S	5/2017	Del Biondi et al.	
D789,045 S	* 6/2017	Van Assche .....	D2/908
D792,068 S	7/2017	Lee	
D792,683 S	7/2017	Carroll et al.	
D793,676 S	8/2017	Slimane	
D793,677 S	* 8/2017	Slimane .....	D2/902
D796,160 S	9/2017	Guichot	
D796,796 S	9/2017	Frisoni et al.	
D796,816 S	9/2017	Klein	
D799,179 S	10/2017	Comeaux	
D802,266 S	11/2017	Hardman	
D804,784 S	12/2017	Romero et al.	
D810,408 S	2/2018	Hernandez	
D812,870 S	3/2018	Laska	
D814,155 S	4/2018	Hernandez	
D815,424 S	4/2018	Petrie	



(56)

References Cited

U.S. PATENT DOCUMENTS

D821,734 S 7/2018 Petrie  
 D824,645 S 8/2018 Gibson et al.  
 D825,158 S 8/2018 Petrenka  
 D827,258 S 9/2018 Pina  
 D833,126 S 11/2018 Laska  
 D834,800 S \* 12/2018 Raysse ..... D2/947  
 D836,892 S 1/2019 Jenkins et al.  
 D838,449 S 1/2019 Michetti  
 D838,948 S \* 1/2019 Sassi ..... D2/944  
 D838,949 S \* 1/2019 Sassi ..... D2/944  
 D840,649 S 2/2019 De Biase  
 D841,965 S 3/2019 Goldman et al.  
 D843,098 S 3/2019 Natowich Mcphee et al.  
 D844,952 S 4/2019 Taylor  
 D846,243 S 4/2019 Comeaux et al.  
 D846,851 S 4/2019 Della Valle et al.  
 D849,373 S \* 5/2019 Woods ..... D2/902  
 D851,875 S 6/2019 Jacobs  
 D853,690 S 7/2019 Taylor  
 D853,702 S 7/2019 Mokos et al.  
 D854,285 S 7/2019 Chang  
 D854,292 S 7/2019 Mokos et al.  
 D854,293 S 7/2019 Mokos et al.  
 D854,797 S 7/2019 Mokos et al.  
 D855,952 S 8/2019 Hardy  
 D858,955 S 9/2019 Bongers  
 D863,742 S 10/2019 Huard et al.  
 D863,744 S 10/2019 Della Valle et al.  
 D864,530 S 10/2019 Verfl et al.  
 D865,342 S 11/2019 Owens  
 D866,129 S \* 11/2019 Vaccarello ..... D2/902  
 D866,935 S \* 11/2019 Dao ..... D2/912  
 D867,735 S 11/2019 Owens  
 D872,981 S \* 1/2020 Hooper ..... D2/943  
 D872,982 S 1/2020 Kuerbis  
 D872,983 S 1/2020 Louboutin  
 D874,099 S 2/2020 Hartmann et al.  
 D874,797 S 2/2020 Fongher et al.  
 D876,761 S 3/2020 Zhu et al.  
 D876,765 S 3/2020 Gerig  
 D877,465 S 3/2020 Hartmann et al.  
 D878,019 S 3/2020 McMillan  
 D879,423 S 3/2020 Engel et al.  
 10,575,587 B2 3/2020 Guyan  
 D880,131 S 4/2020 Fick et al.  
 10,624,417 B2 4/2020 Dojan et al.  
 D882,912 S \* 5/2020 Nalls, Jr. .... D2/946  
 D883,622 S 5/2020 DAvoine  
 D885,021 S \* 5/2020 Nakamura ..... D2/947  
 D885,723 S 6/2020 Lee  
 D885,729 S 6/2020 Swierszczyk et al.  
 D885,735 S 6/2020 Hardy  
 D886,418 S \* 6/2020 Hardy ..... D2/897  
 D886,424 S 6/2020 McKenzie  
 D887,682 S \* 6/2020 Sogorb ..... D2/902  
 D887,688 S \* 6/2020 McKenzie ..... D2/947  
 D889,787 S \* 7/2020 McKenzie ..... D2/947  
 2004/0148803 A1 8/2004 Grove et al.  
 2007/0107265 A1 5/2007 Mueller et al.  
 2007/0220778 A1 9/2007 Fusco et al.  
 2010/0088928 A1 4/2010 Sarantakos et al.  
 2010/0139119 A1 6/2010 Sokolowski  
 2010/0180474 A1 7/2010 Clark et al.  
 2010/0186255 A1 7/2010 Avar et al.

2010/0275470 A1 11/2010 Hoffer et al.  
 2011/0072687 A1 3/2011 Bobbett et al.  
 2012/0023781 A1 2/2012 Dojan  
 2012/0144698 A1 6/2012 McDowell  
 2014/0215729 A1 8/2014 Curl et al.  
 2014/0230276 A1 8/2014 Campos et al.  
 2015/0101215 A1 4/2015 Henderson et al.  
 2015/0143722 A1 5/2015 Faggin et al.  
 2015/0257481 A1 9/2015 Campos et al.  
 2016/0324254 A1 11/2016 McDonald  
 2017/0340057 A1 11/2017 Guyan  
 2018/0125160 A1 5/2018 Dojan et al.  
 2019/0208859 A1 7/2019 Mokos et al.  
 2019/0246738 A1 8/2019 Connell et al.  
 2020/0015548 A1 1/2020 Peyton et al.

OTHER PUBLICATIONS

“Brothel Creeper,” Wikipedia, dated Jul. 17, 2016, archived on Aug. 3, 2016, accessed on Mar. 12, 2019, <[https://en.wikipedia.org/wiki/Brothel\\_creeper](https://en.wikipedia.org/wiki/Brothel_creeper)>, 2 pages.  
 “Brothel Creepers—The Shoes that are Creeping Back into Fashion,” Huffpost, dated Sep. 2, 2011, accessed on Mar. 12, 2019, <[http://www.huffingtonpost.co.uk/jane-mcfarland/brothel-creepers-theshoe\\_b\\_947277.html](http://www.huffingtonpost.co.uk/jane-mcfarland/brothel-creepers-theshoe_b_947277.html)>, 1 page.  
 “Mr. Completely Shoes,” Haus of Rihanna, dated Oct. 27, 2014, archived on May 31, 2016, accessed on Mar. 12, 2019, <<http://hausofrihanna.com/mr-completely-adidas-creepy-samba-shoes/mr-completely-adidas-samba-creepers-rihanna/>>, 3 pages.  
 “Puma Suede Winter Gum Sneaker-Black,” Jimmy Jazz, archived on May 10, 2016, accessed on Mar. 12, 2019, (<<http://www.jimmyjazz.com/mens/footwear/puma-suede-winter-gum-sneaker/360987-01>>), 2 pages.  
 “Rihanna Spotted in Mr. Completely Custom Nike and Adidas Creepers,” Snobette, Oct. 28, 2014, accessed on Mar. 12, 2016, <<http://thesnobette.com/2014/10/mr-completely-nike-adidas-creepers/>>, 6 pages.  
 Gorman, “George Cox: The origins of the Diano Brothel Creeper + Samples ordered by Malcolm McLaren in 1973,” dated Jan. 20, 2015, archived on Jul. 11, 2015, accessed on Mar. 12, 2019, <<http://www.paulgormanis.com/?p=13103>>, 8 pages.  
 Zolla, “Creepers,” Vogue Encyclo, archived on Mar. 22, 2015, accessed on Mar. 12, 2019, <<http://www.vogue.it/en/encyclo/fashion/c/creepers>>, 3 pages.  
 Astro Sala Men’s Sneakers, Puma.com, [online], [site visited Mar. 16, 2020]. <URL: [https://us.puma.com/en/us/pd/astro-sala-mens-sneakers/362361.html?dwvar\\_362361\\_color=09](https://us.puma.com/en/us/pd/astro-sala-mens-sneakers/362361.html?dwvar_362361_color=09)> (Year: 2020) 1 page.  
 Converse Men’s Chuck Taylor Sneakers, Amazon.com, Date first listed on Amazon: Apr. 22, 2009, [online], [site visited Mar. 16, 2020]. <URL: <https://www.amazon.com/Converse-Chuck-Taylor-Star-Sneakers/dp/B0002M30VM?th=1>> (Year: 2009) 3 pages.  
 The Converse All Star Pro BB Goes Triple White for All-Star, SneakerNews.com, Feb. 12, 2020 by Jovani Hernandez, [online],[site visited Mar. 16, 2020]. <URL: <https://sneakernews.com/2020/02/12/converse-all-star-pro-bb-white/>> (Year: 2020) 9 pages.  
 Puma Women’s Carina Sneaker, Amazon.com, Date first listed on Amazon: Feb. 16, 2019, [online], [site visited Mar. 16, 2020]. <X URL: [https://www.amazon.com/PU-MA-Womens-Carina-Sneaker-Bluestone/dp/B07KX6GPGB/ref=pd\\_sbs\\_309\\_3/132-2524759-0679644?encoding=UTF8&pd\\_rd\\_i=B07HJR823P&pd\\_rd](https://www.amazon.com/PU-MA-Womens-Carina-Sneaker-Bluestone/dp/B07KX6GPGB/ref=pd_sbs_309_3/132-2524759-0679644?encoding=UTF8&pd_rd_i=B07HJR823P&pd_rd)> (Year: 2019) 4 pages.

\* cited by examiner

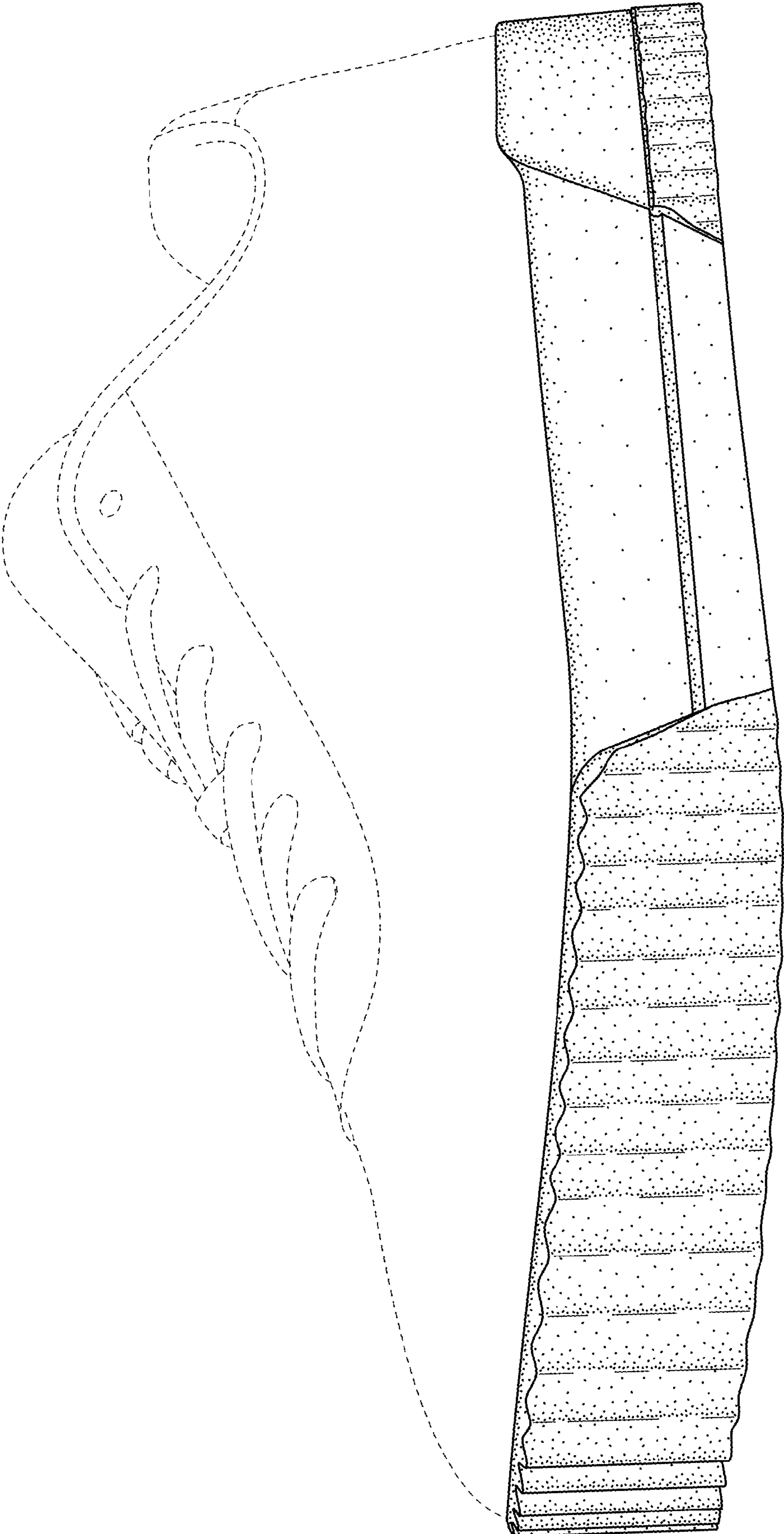


FIG. 1

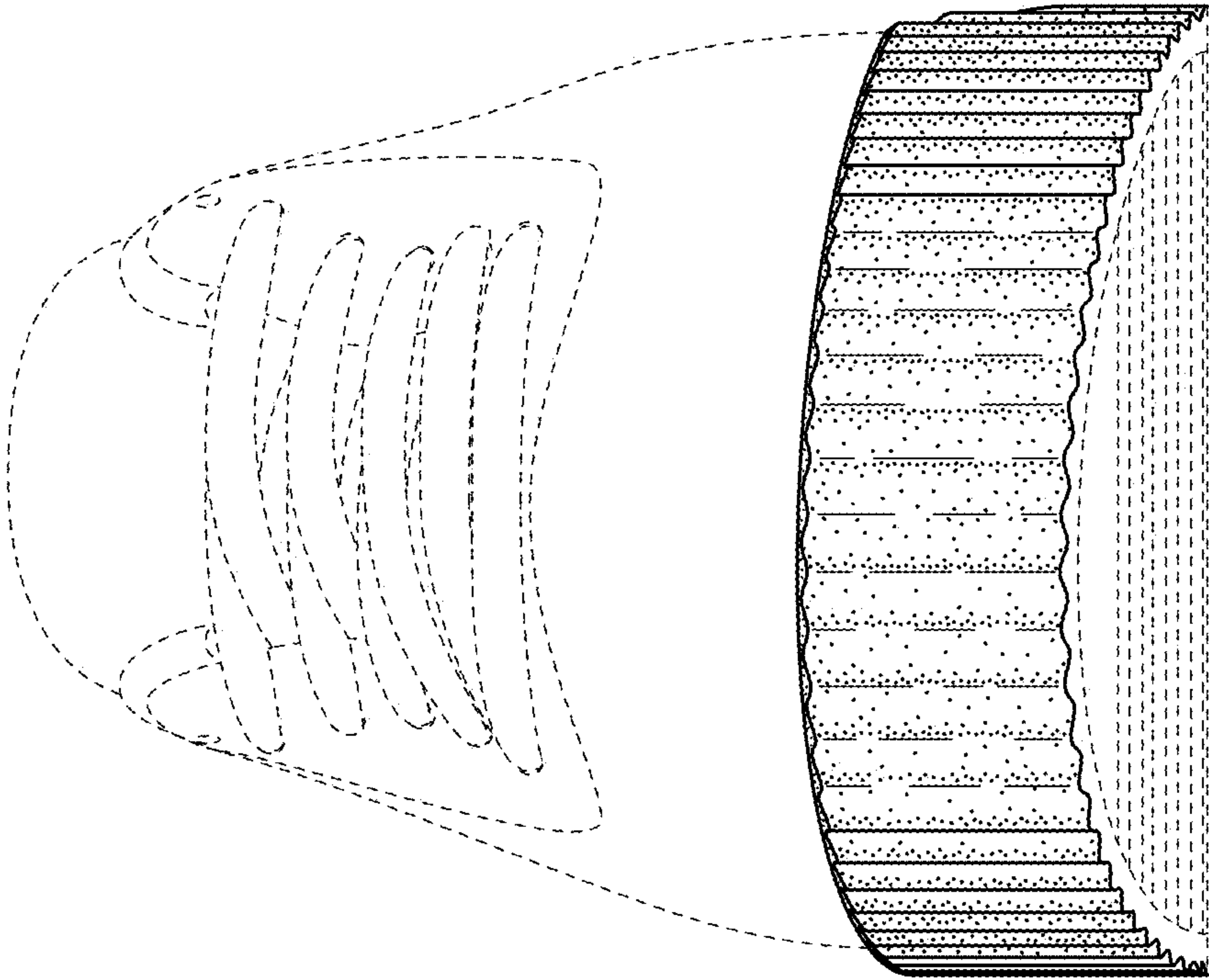


FIG. 2



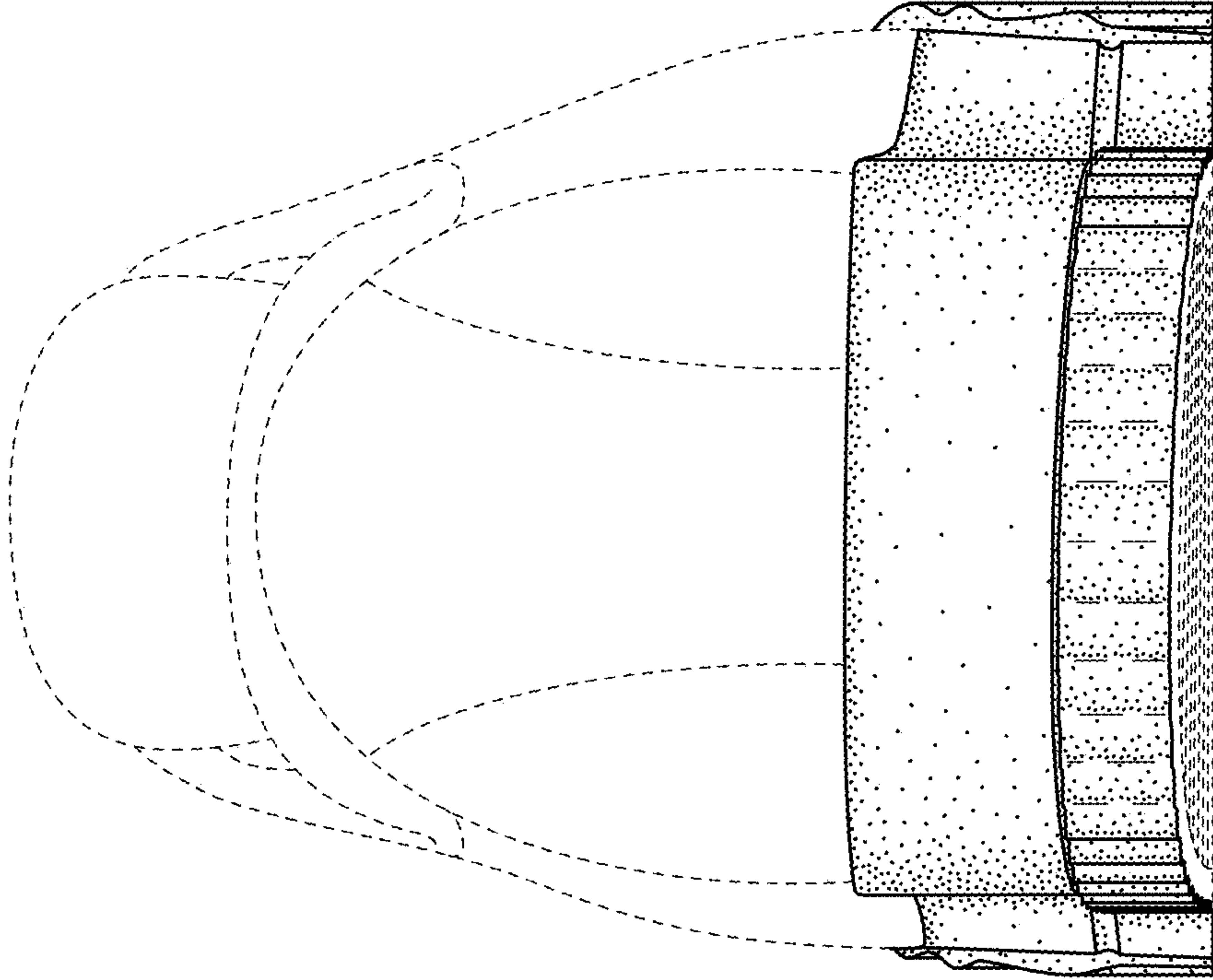


FIG. 3

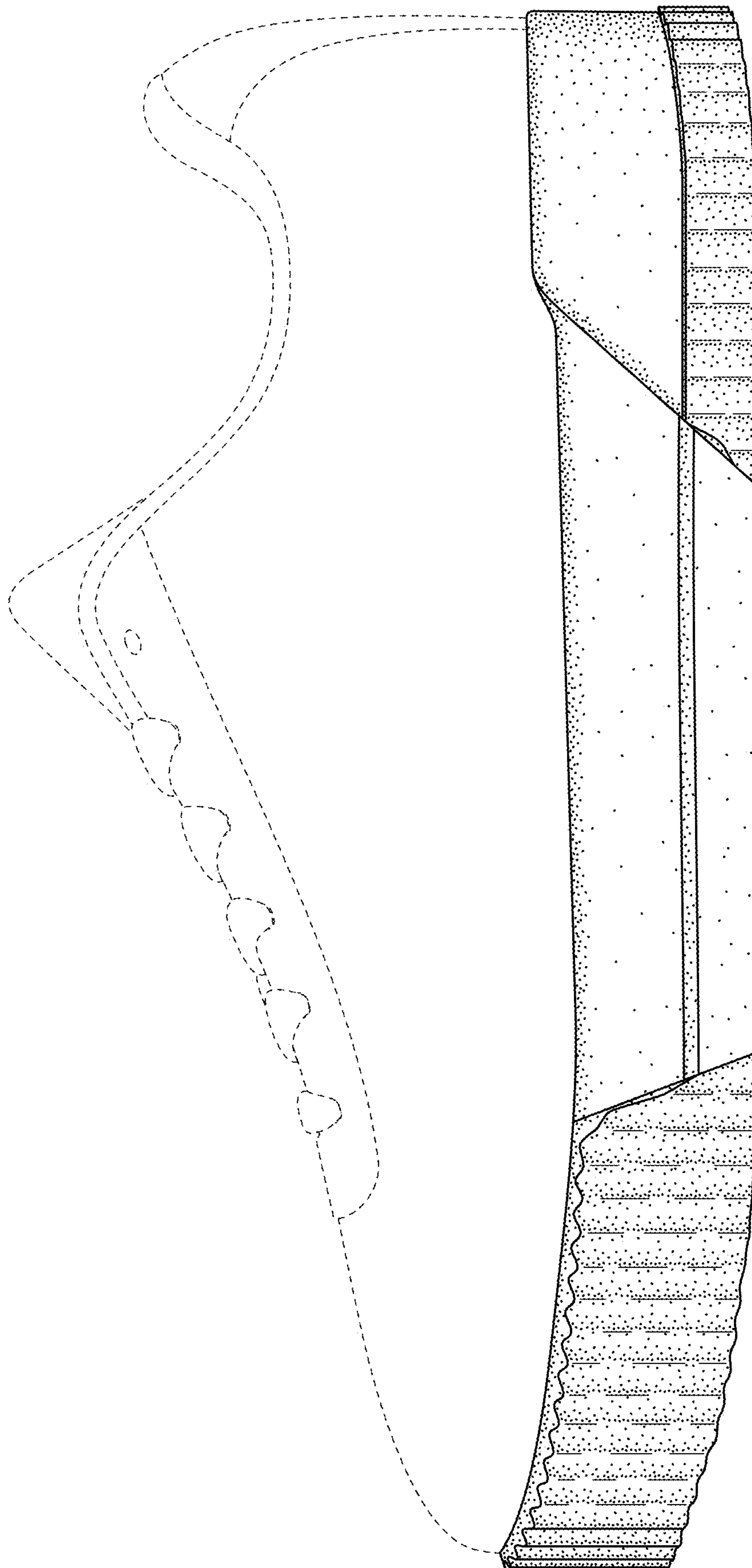


FIG. 4

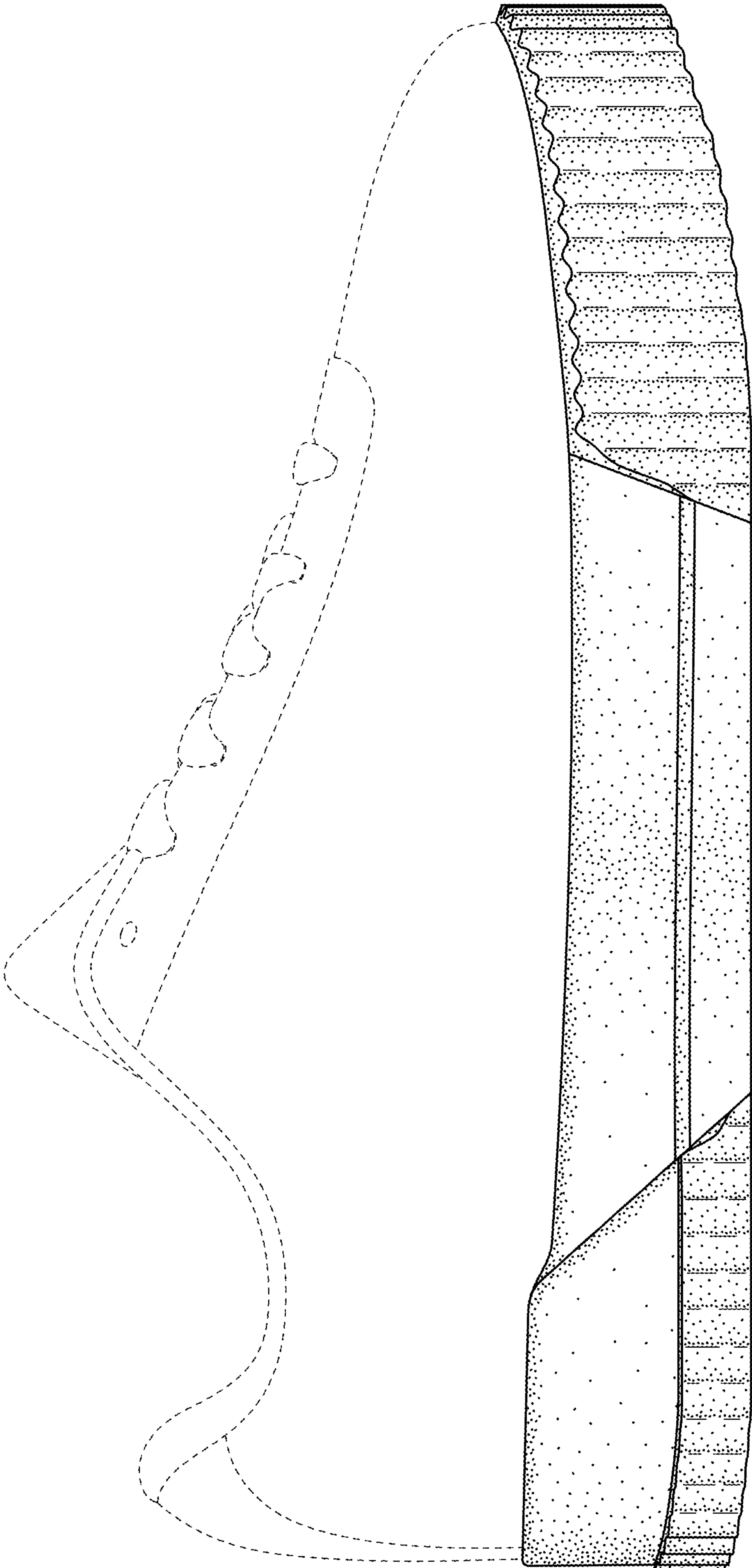


FIG. 5



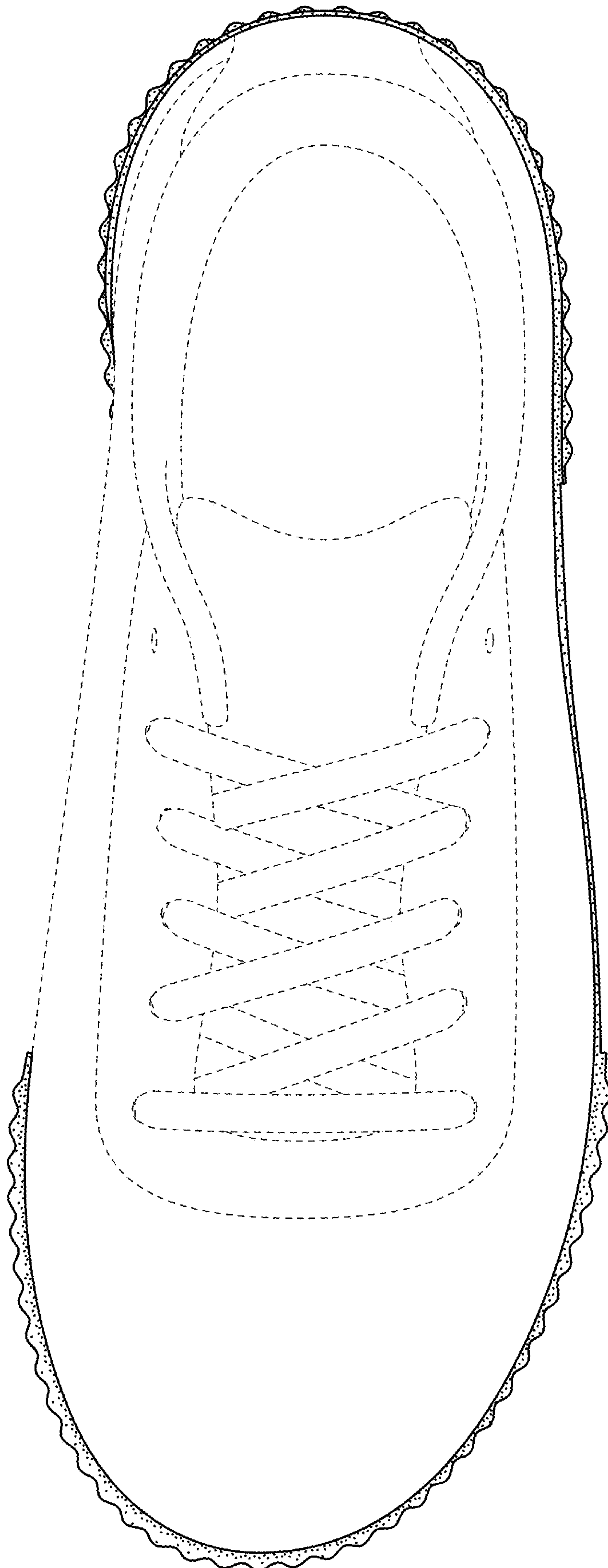


FIG. 6

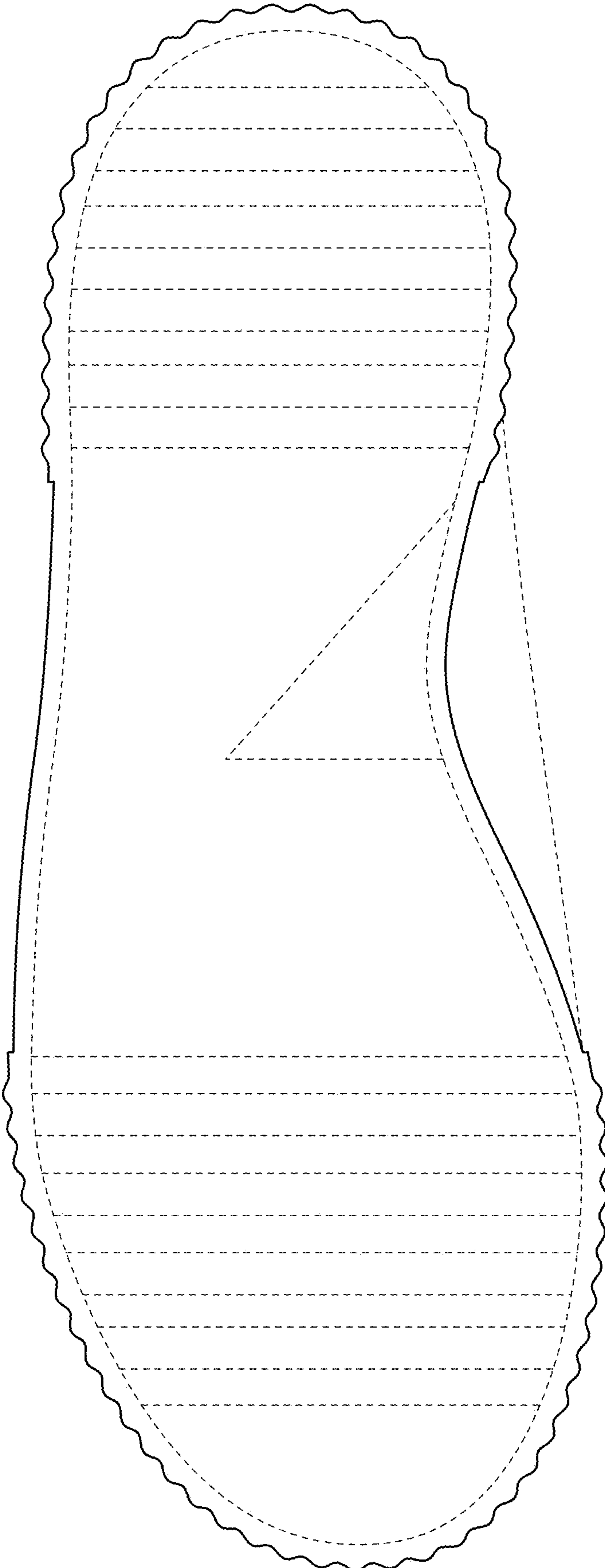


FIG. 7