



US00D906636S

(12) **United States Design Patent**
Zhang

(10) **Patent No.:** **US D906,636 S**
(45) **Date of Patent:** **** Jan. 5, 2021**

(54) **RAINCOAT**

(71) Applicant: **SHENZHEN LONGCHEN TECHNOLOGY CO., LTD.**, Shenzhen (CN)

(72) Inventor: **Bairu Zhang**, Shenzhen (CN)

(73) Assignee: **SHENZHEN LONGCHEN TECHNOLOGY CO., LTD.**, Shenzhen (CN)

(**) Term: **15 Years**

(21) Appl. No.: **29/695,243**

(22) Filed: **Jun. 17, 2019**

(51) **LOC (13) Cl.** **02-02**

(52) **U.S. Cl.**
USPC **D2/828**

(58) **Field of Classification Search**
USPC D2/828-831, 728; 2/82, 85, 93, 135
CPC A41D 1/02; A41D 3/00; A41D 3/04
See application file for complete search history.

(56) **References Cited**

U.S. PATENT DOCUMENTS

- 2,452,475 A * 10/1948 Kraft A41D 3/04
2/87
- D276,379 S * 11/1984 Duval D2/743
- D451,661 S * 12/2001 Costello D2/828

- D527,868 S * 9/2006 Wager D2/828
- D633,692 S * 3/2011 Lawrence D2/831
- D836,299 S * 12/2018 Lamprey D2/839
- 2006/0059599 A1 * 3/2006 Lai A41D 31/02
2/82
- 2014/0020150 A1 * 1/2014 Yang A41D 27/28
2/87
- 2015/0201680 A1 * 7/2015 Lee A41D 1/21
2/93

* cited by examiner

Primary Examiner — Kevin K Rudzinski

Assistant Examiner — J. Thorn, Sr.

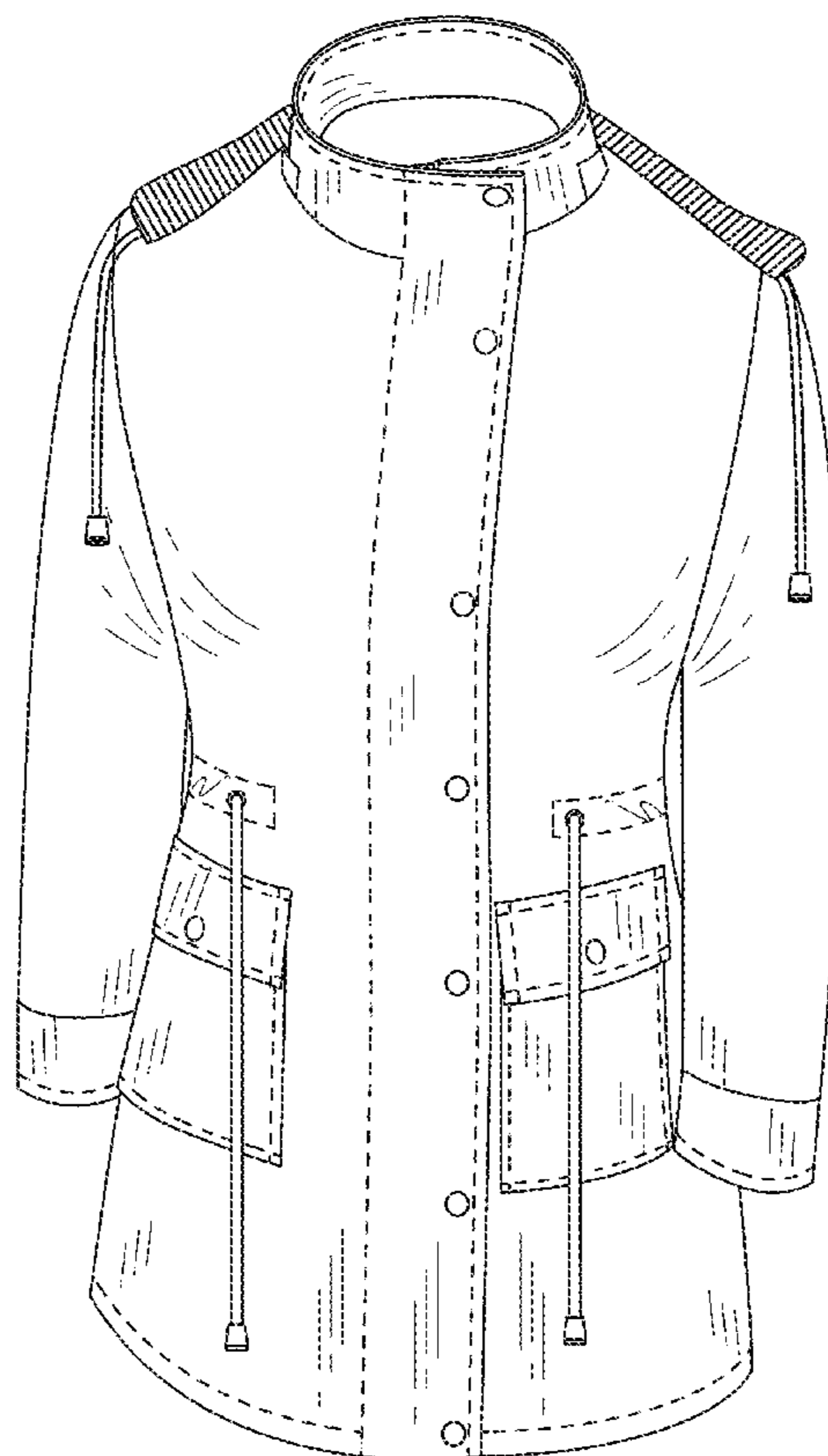
(57) **CLAIM**

The ornamental design for a raincoat, as shown and described.

DESCRIPTION

FIG. 1 is a front elevational view of a raincoat showing my new design;
 FIG. 2 is a rear elevational view thereof;
 FIG. 3 is a left side elevational view thereof;
 FIG. 4 is a right side elevational view thereof;
 FIG. 5 is a top plan view thereof;
 FIG. 6 is a bottom plan view thereof; and,
 FIG. 7 is a front perspective view thereof.
 The broken lines in the drawings showing of the stitching are for the purpose of depicting portions of the raincoat that form no part of the claimed design.

1 Claim, 7 Drawing Sheets



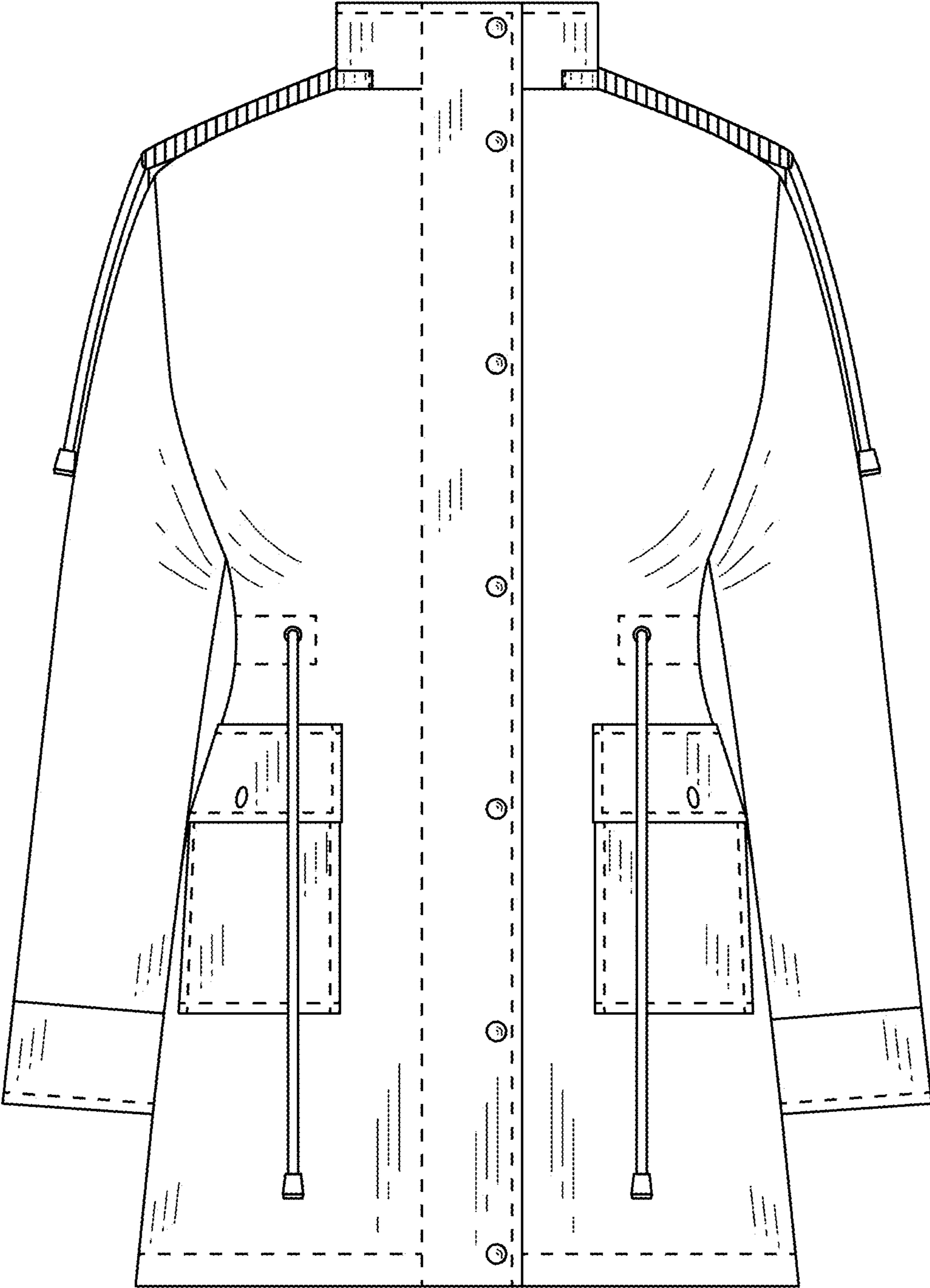


FIG. 1

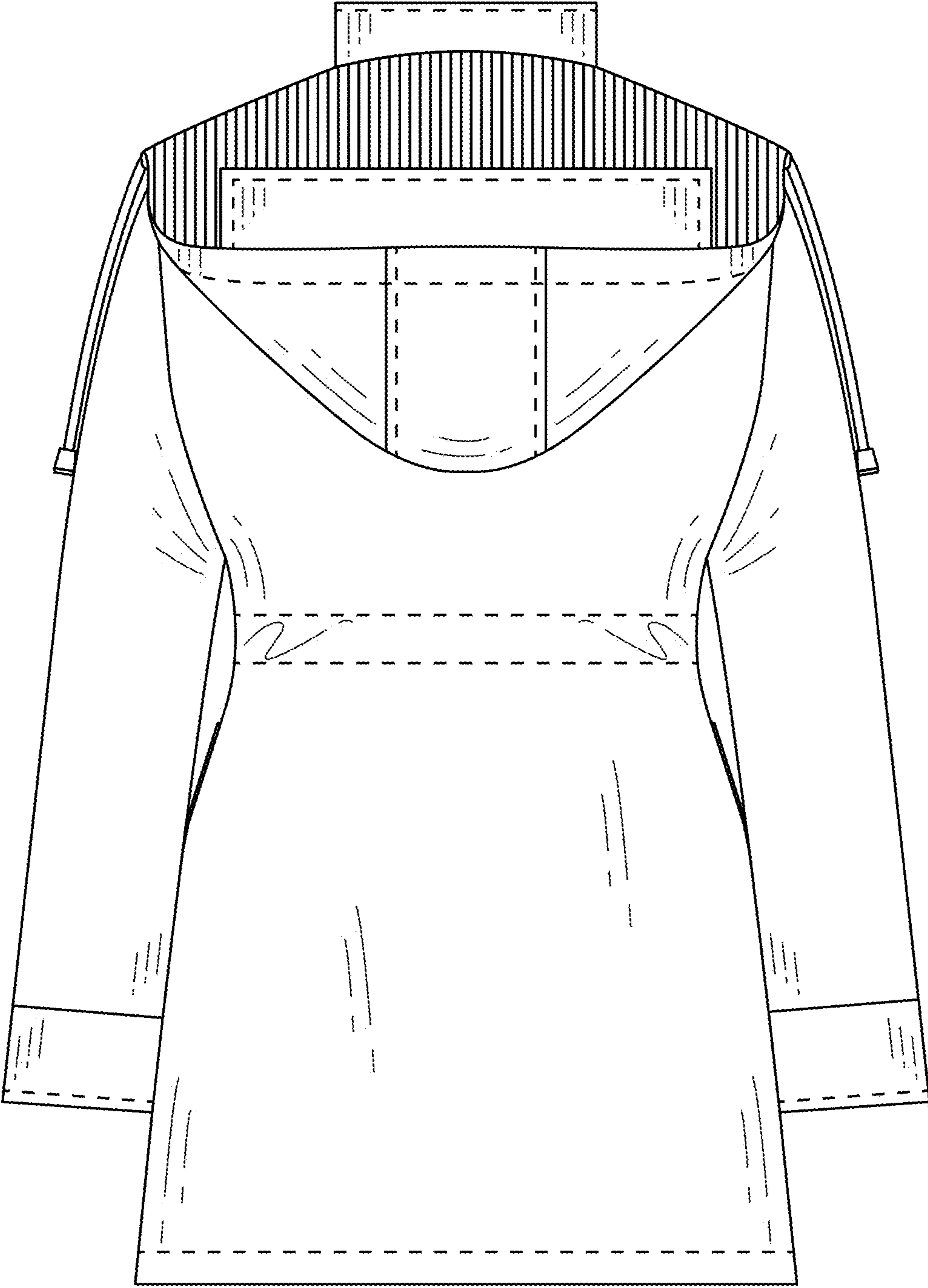


FIG. 2

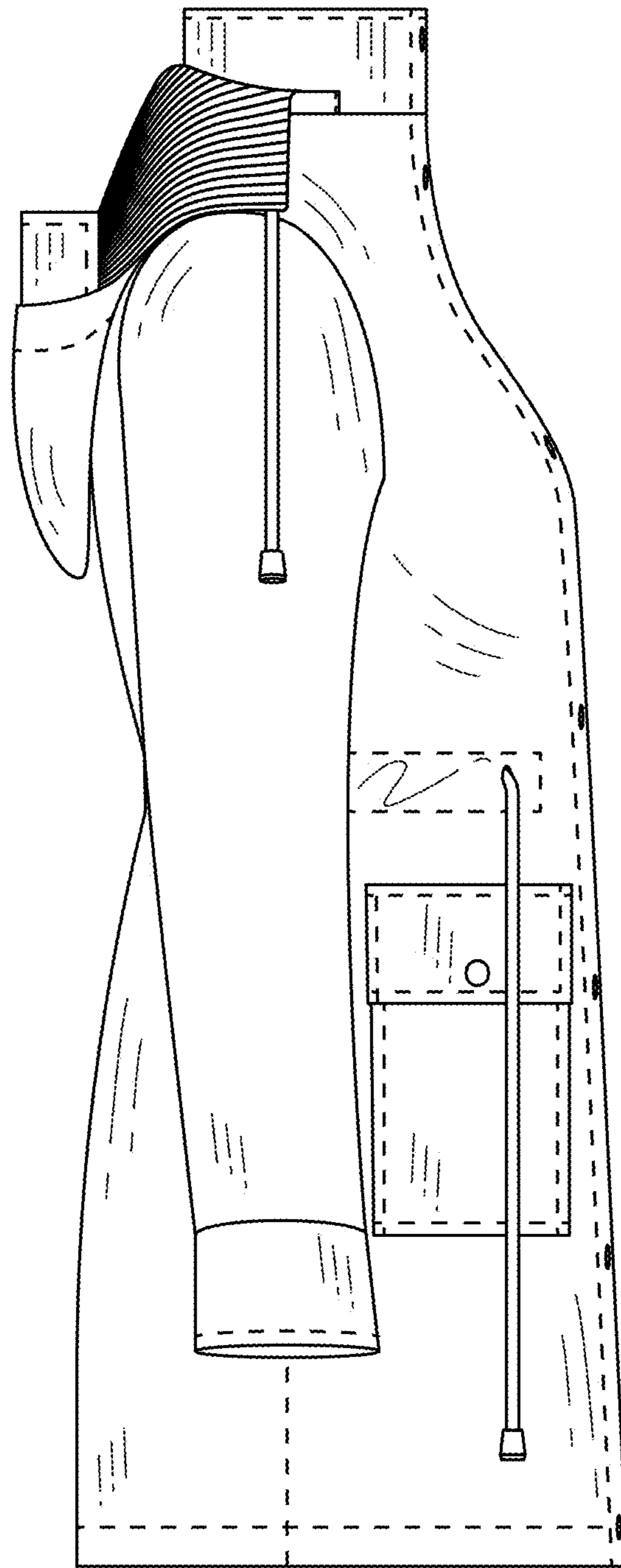


FIG. 3

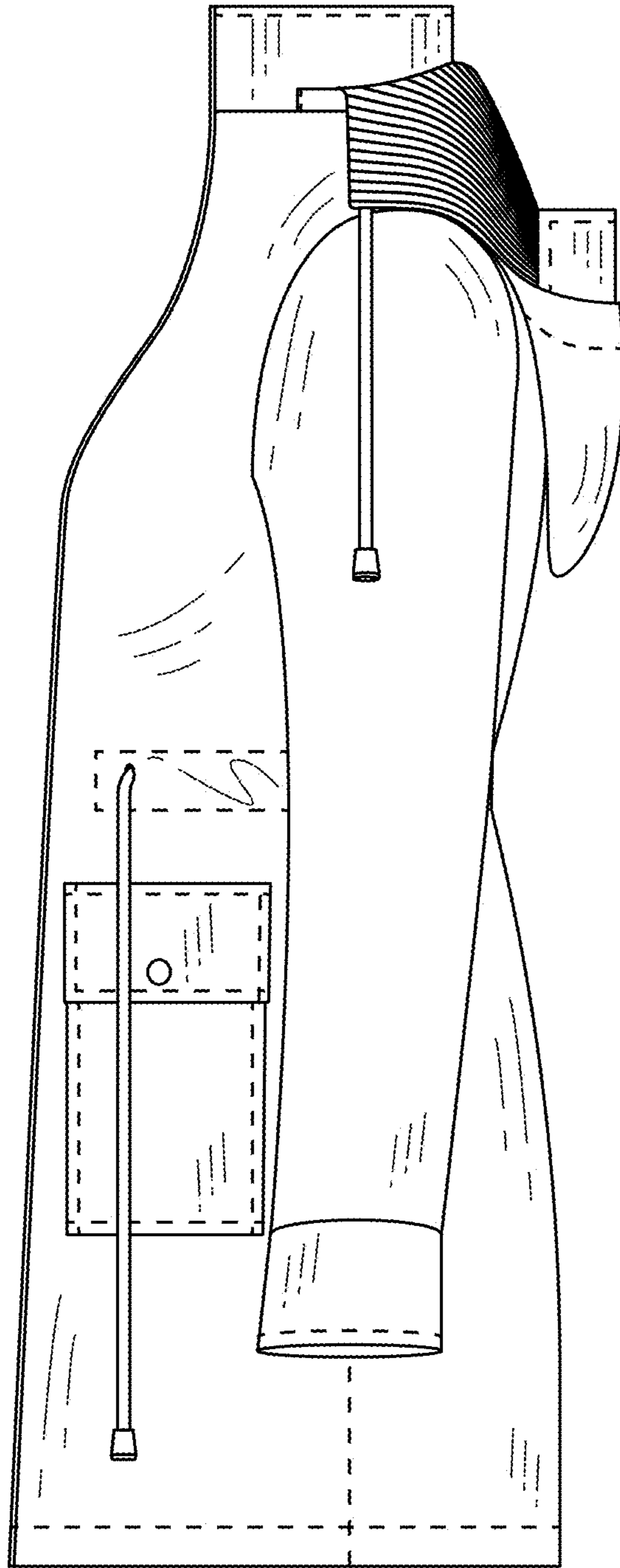


FIG. 4

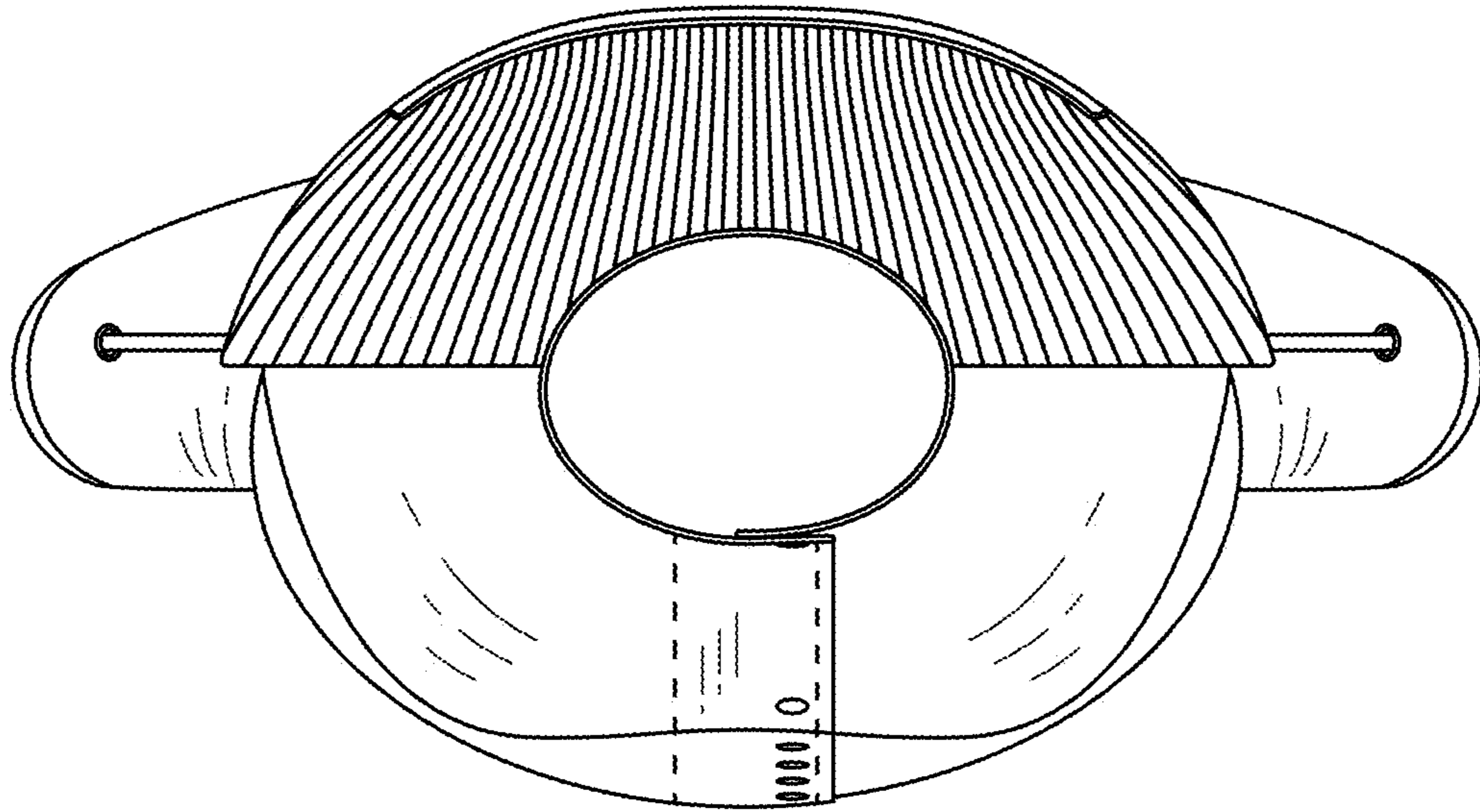


FIG. 5

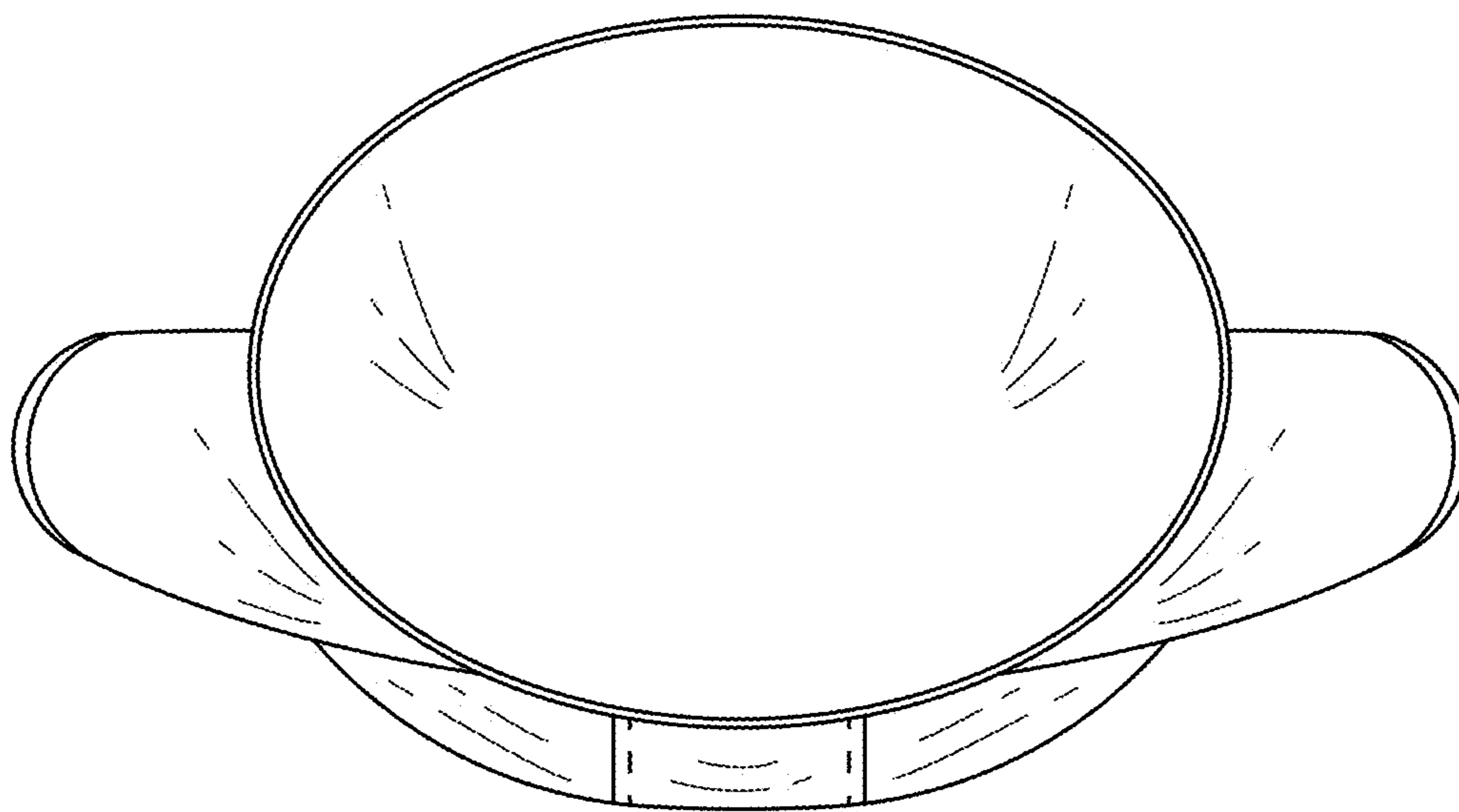


FIG. 6

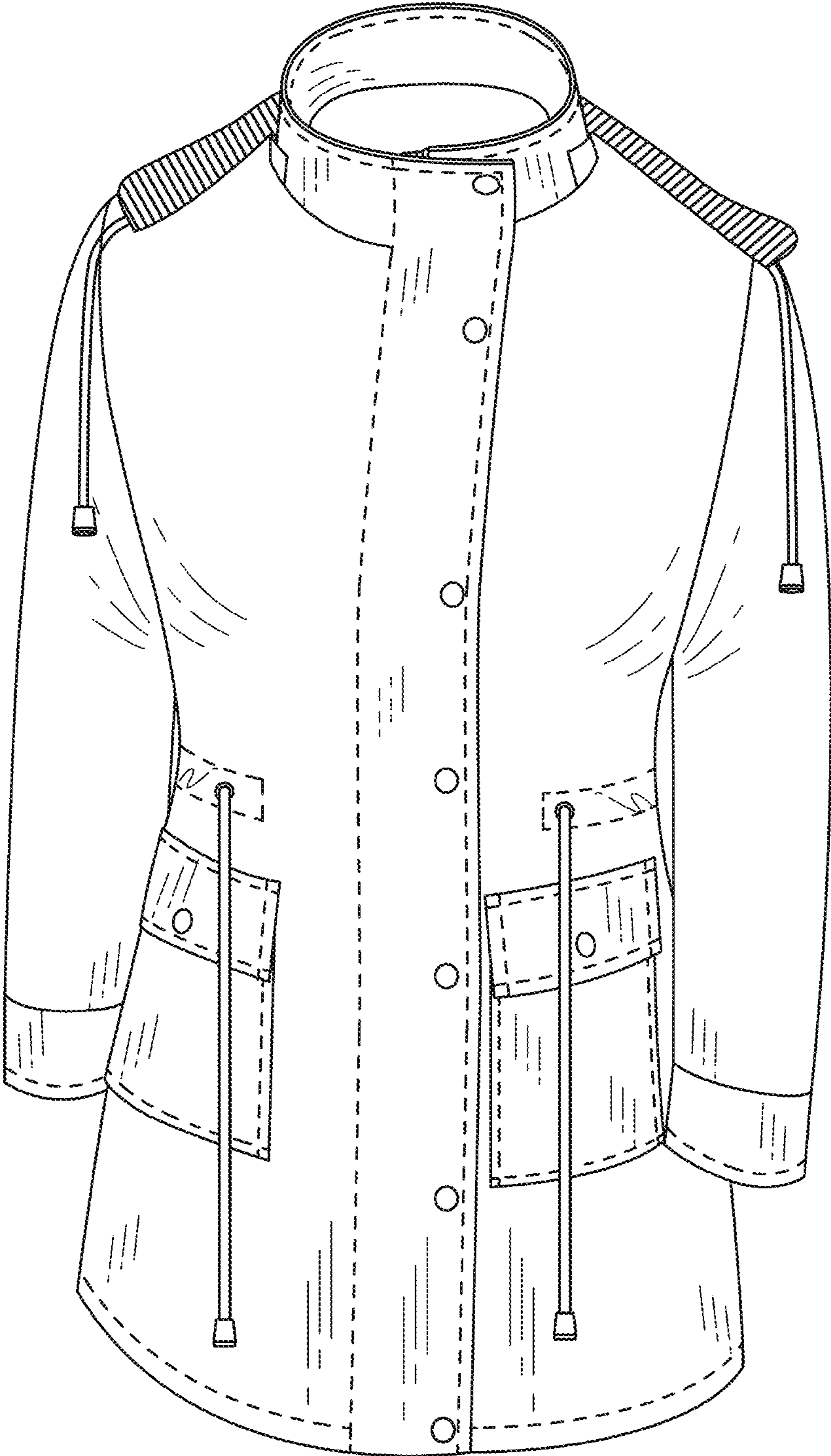


FIG. 7