



US00D906632S

(12) **United States Design Patent** (10) **Patent No.:** **US D906,632 S**  
**Menczer** (45) **Date of Patent:** **\*\* Jan. 5, 2021**

(54) **NURSING BRA CLIP**

(71) Applicant: **Rivka Menczer**, Monsey, NY (US)

(72) Inventor: **Rivka Menczer**, Monsey, NY (US)

(\*\*) Term: **15 Years**

(21) Appl. No.: **29/706,316**

(22) Filed: **Sep. 19, 2019**

(51) **LOC (13) Cl.** ..... **02-01**

(52) **U.S. Cl.**  
USPC ..... **D2/706; D11/200**

(58) **Field of Classification Search**  
USPC ..... D2/705-706; D11/200, 208, 212, 218  
CPC ..... A44B 13/00; A41C 3/04; A41C 3/0028;  
A41F 15/002

See application file for complete search history.

amazon.com/KAMsnaps-Nursing-Maternity-Fasteners-Breastfeeding/  
dp/B01DHC67Q8 (Year: 2016).\*

Elvie® 4-Pack Pump Bra Adjusters in Grey, posted N/A [online],  
(retrieved Aug. 24, 2020). Retrieved from the internet, <https://www.bedbathandbeyond.com/store/product/elvie-reg-4-pack-pump-bra-adjusters-in-grey/5299920> (Year: NA).\*

\* cited by examiner

*Primary Examiner* — Kevin K Rudzinski

*Assistant Examiner* — J. Thorn, Sr.

(57) **CLAIM**

I claim the ornamental design for a nursing bra clip, as shown and described.

(56) **References Cited**

**U.S. PATENT DOCUMENTS**

D157,813 S *	3/1950	White	.....	D11/218
D324,663 S *	3/1992	Ebata	.....	D11/200
D369,129 S *	4/1996	Fildan	.....	24/321
D369,327 S *	4/1996	Fildan	.....	24/321
D571,254 S *	6/2008	Wanzenbock	.....	D11/212
D625,487 S *	10/2010	Hendrickson	.....	D2/706
D625,654 S *	10/2010	Spater	.....	D11/210
D632,608 S *	2/2011	Corrado	.....	D11/208
D632,610 S *	2/2011	Corrado	.....	D11/208
D846,434 S *	4/2019	Jameson	.....	D11/200
D886,410 S *	6/2020	Ye	.....	D2/706
2008/0003921 A1 *	1/2008	Fildan	.....	A41C 3/04
				450/36
2019/0261698 A1 *	8/2019	Akerson	.....	A41C 3/0014

**OTHER PUBLICATIONS**

KAMsnaps Nursing Maternity Clips Clasps , posted 2016 [online],  
(retrieved Aug. 24, 2020). Retrieved from the internet, <https://www.>

**DESCRIPTION**

FIG. 1 is a front perspective view of a nursing bra clip of the claimed design;

FIG. 2 is a front view of the nursing bra clip of FIG. 1;

FIG. 3 is a back view of the nursing bra clip of FIG. 1;

FIG. 4 is a left side view of the nursing bra clip of FIG. 1;

FIG. 5 is a right side view of the nursing bra clip of FIG. 1;

FIG. 6 is a top side view of the nursing bra clip of FIG. 1;

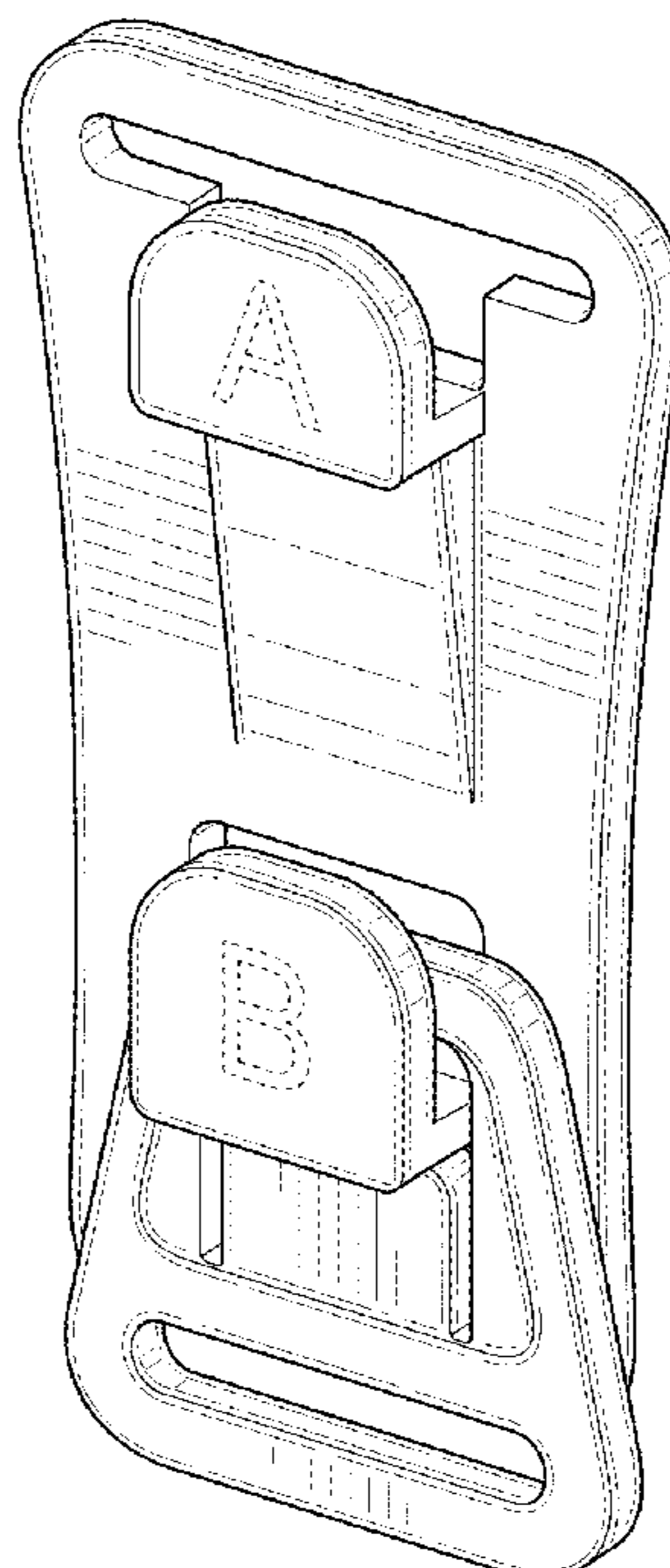
FIG. 7 is a bottom side view of the nursing bra clip of FIG. 1; and,

FIG. 8 is a front view of the nursing bra clip of FIG. 1

applied to a nursing bra.

The broken lines showing the “A” and “B” labels on the nursing bra clip, and the nursing bra (and one of the clips) shown in FIG. 8, are for the purpose of illustrating environmental structure and form no part of the claimed design.

**1 Claim, 5 Drawing Sheets**



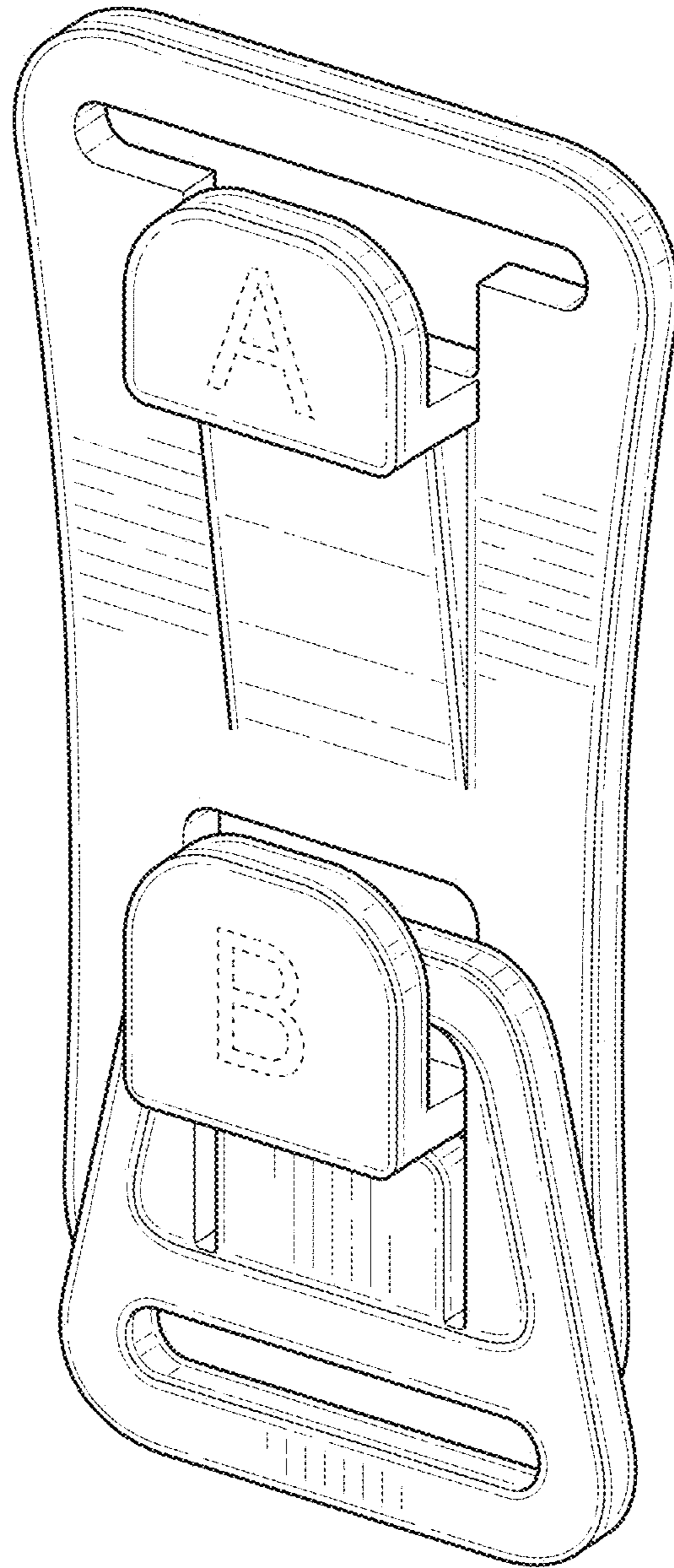


FIG. 1

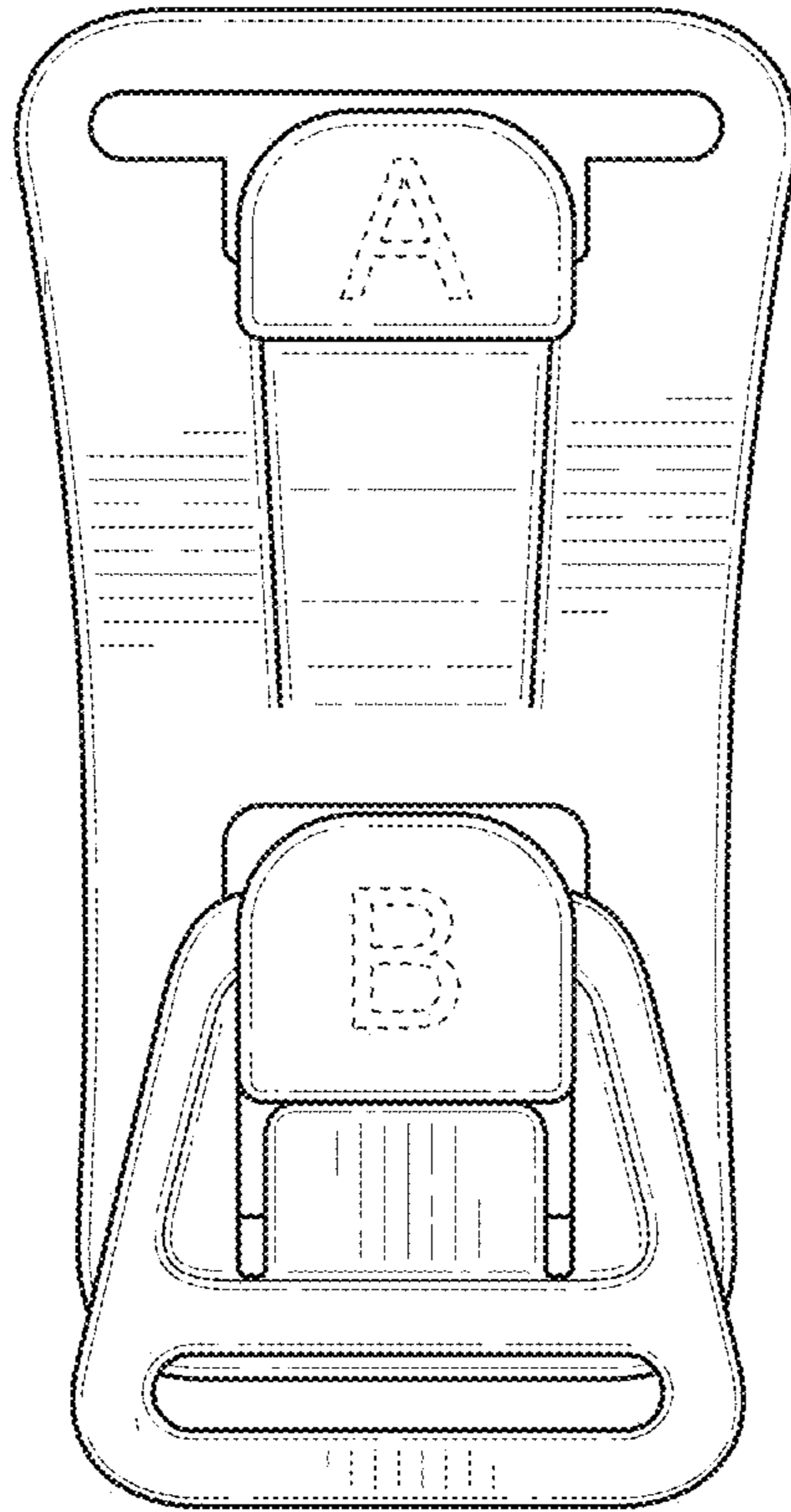


FIG. 2

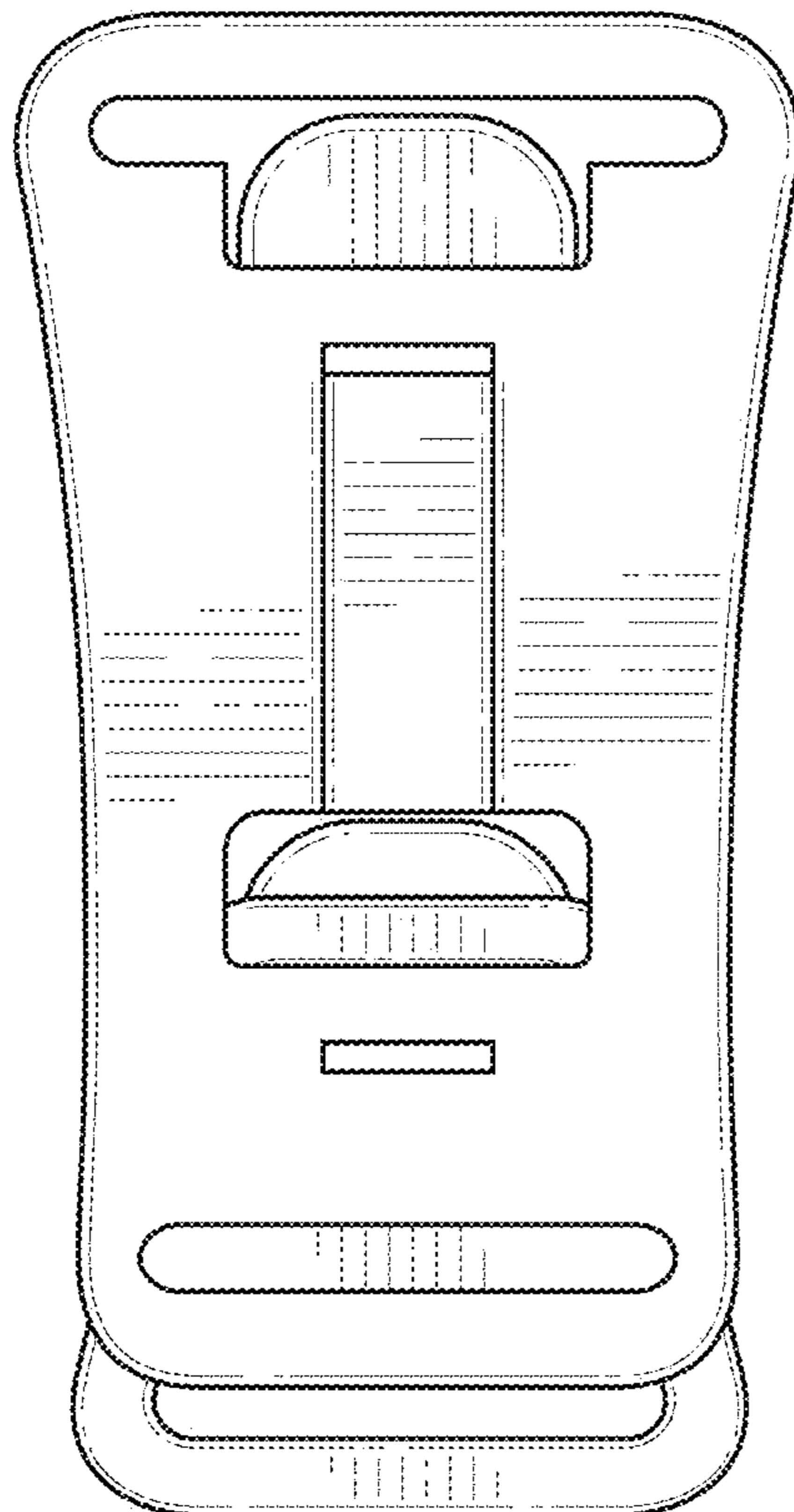
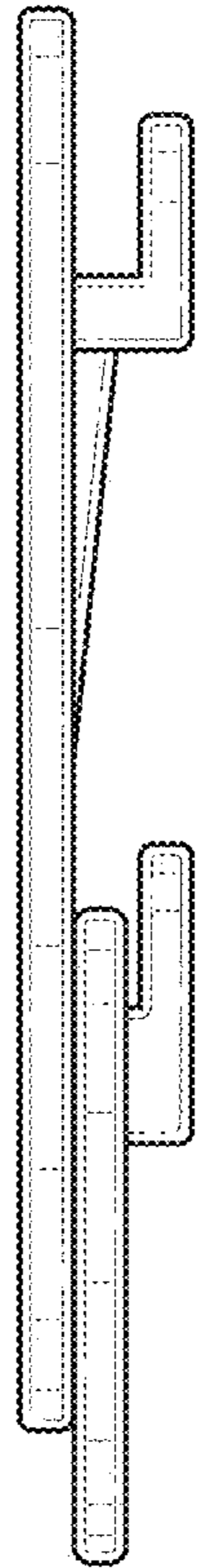
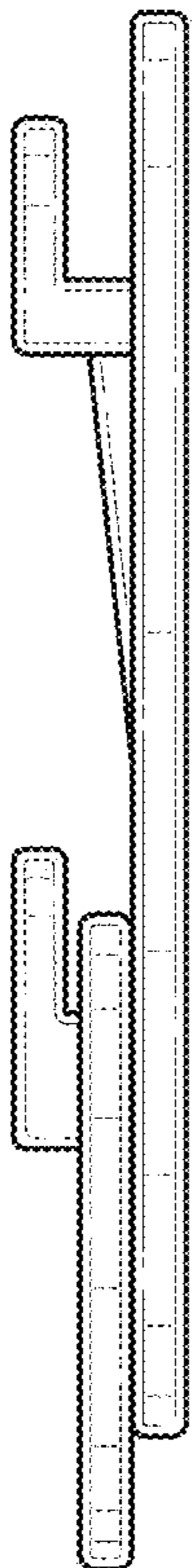


FIG. 3



**FIG. 4**



**FIG. 5**

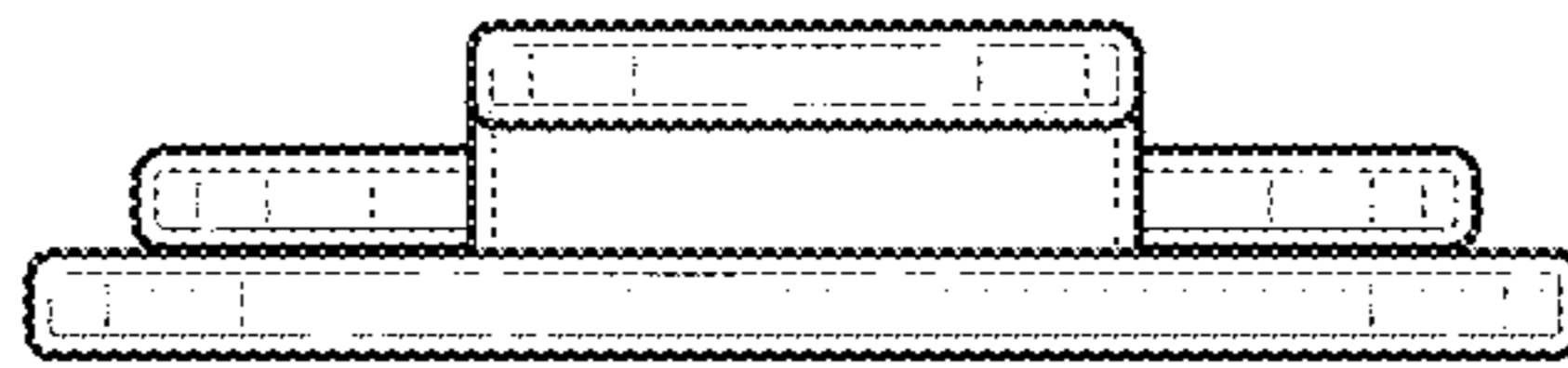


FIG. 6

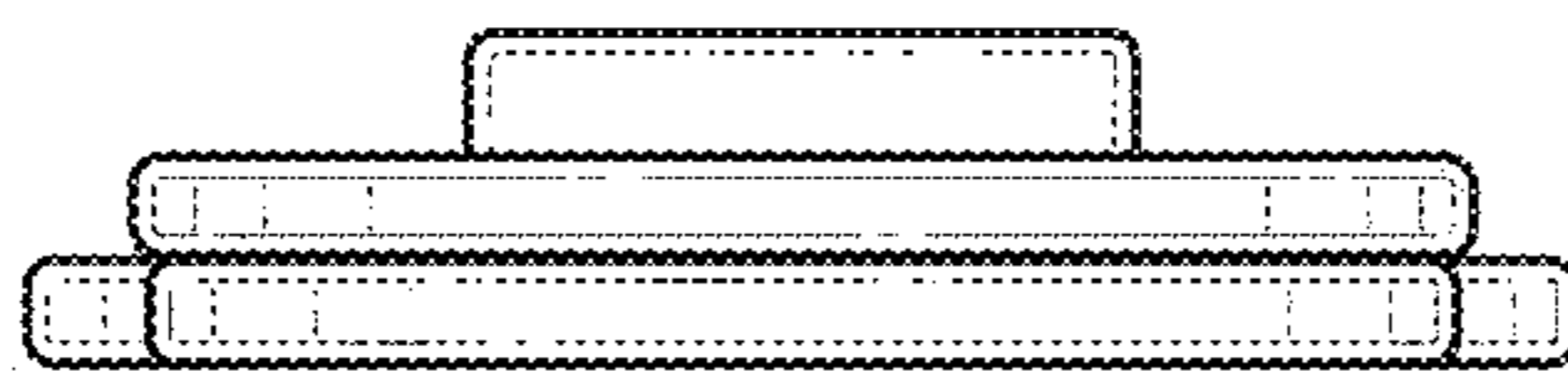


FIG. 7





FIG. 8