



US00D906627S

(12) **United States Design Patent**  
**Cammarota et al.**

(10) **Patent No.:** **US D906,627 S**  
(45) **Date of Patent:** **\*\* Jan. 5, 2021**

- (54) **MOLDED TORTILLA POCKET**
- (71) Applicant: **General Mills, Inc.**, Minneapolis, MN (US)
- (72) Inventors: **Carina Claudia Cammarota**, Navarra (ES); **John J Fenske**, Shoreview, MN (US); **Zac Harder**, Crystal, MN (US); **Chad M Kubat**, Woodbury, MN (US); **Ralph A Stenvik**, Plymouth, MN (US)
- (73) Assignee: **General Mills, Inc.**, Minneapolis, MN (US)
- (\*\*) Term: **15 Years**
- (21) Appl. No.: **29/698,361**
- (22) Filed: **Jul. 16, 2019**
- (51) **LOC (13) Cl.** ..... **01-01**
- (52) **U.S. Cl.**  
USPC ..... **D1/122**
- (58) **Field of Classification Search**  
USPC ..... D1/100–130, 199; 426/94, 104, 138, 426/143, 144, 274, 283, 303, 391, 512, 426/514, 518, 549; D6/597, 601; D7/675, 560, 566, 568, 601, 700; D24/121, 122; D28/8.1, 8.2; D21/385, D21/386, 707; D11/164; 47/72  
CPC ..... A23L 1/0067; A23L 1/005; A23L 1/0052; A23L 1/217; A23G 9/48; A23G 3/54; A23V 2002/00  
See application file for complete search history.

- 952,313 A \* 3/1910 Droz ..... B67C 11/02 141/98
- 1,153,744 A \* 9/1915 Allen ..... B65D 3/06 229/400
- D62,515 S \* 6/1923 Wood ..... D1/116
- D67,821 S 7/1925 Yohai et al.

(Continued)

**OTHER PUBLICATIONS**

Bianca, *“Mushroom Spinach Tofu Wrap”*, Elephantastic Vegan, Mar. 13, 2018, Web. Aug. 4, 2019, <https://elephantastievegan.com/mushroom-spinach-tofu-wrap/>.

*Primary Examiner* — Katie Jane Stoffko  
(74) *Attorney, Agent, or Firm* — Diederiks & Whitelaw, PLC; John L. Crimmins, Esq.

(57) **CLAIM**

The ornamental design for a molded tortilla pocket, as shown and described.

**DESCRIPTION**

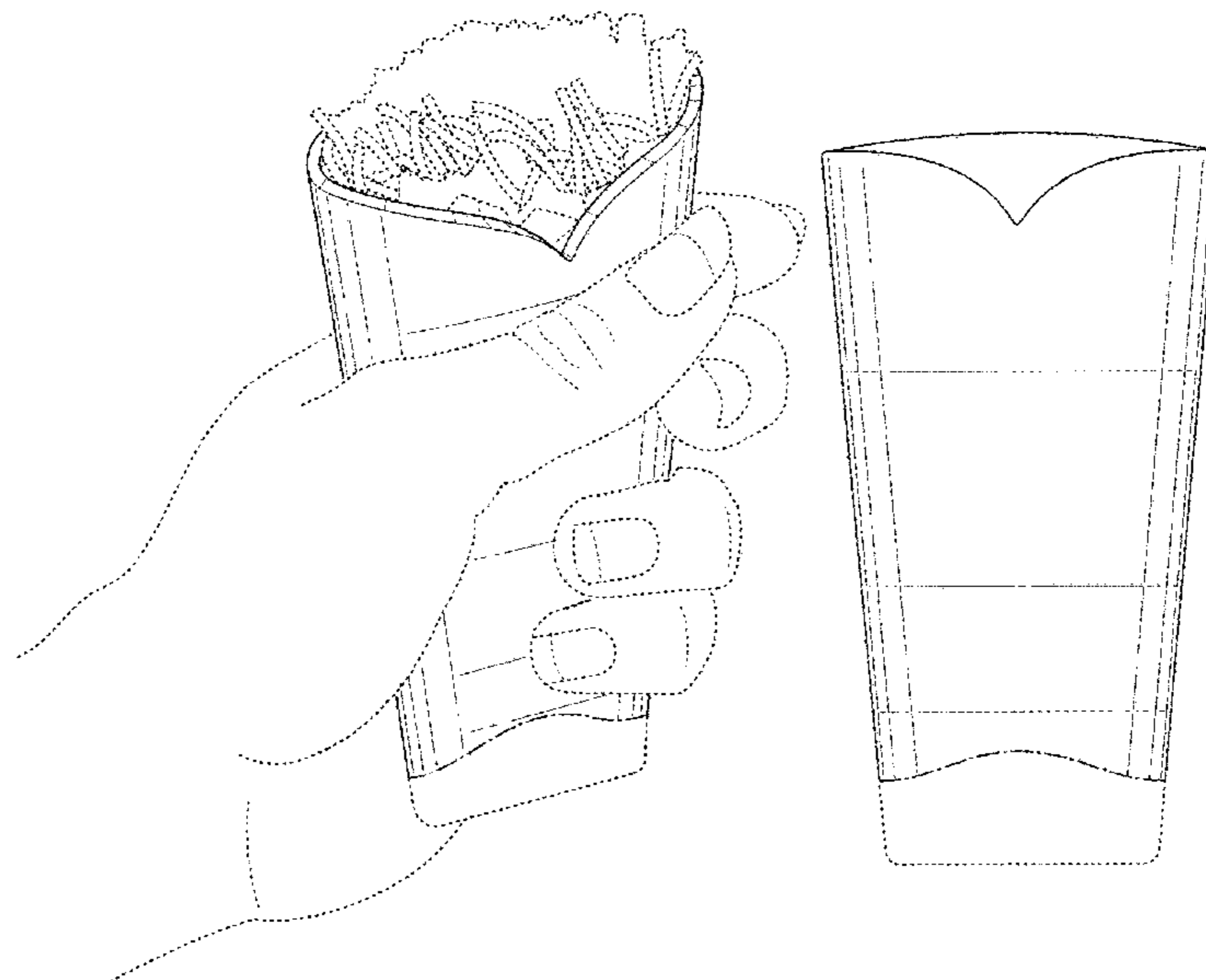
FIG. 1 is a top, front perspective view of a molded tortilla pocket; FIG. 2 is a front elevational view of the molded tortilla pocket; FIG. 3 is a rear elevational view of the molded tortilla pocket; FIG. 4 is a left side view of the molded tortilla pocket; FIG. 5 is a right side view of the molded tortilla pocket; FIG. 6 is a top plan view of the molded tortilla pocket; and, FIG. 7 is a bottom plan view of the molded tortilla pocket. The broken lines shown in FIGS. 2-5 illustrate portions of the molded tortilla pocket that form no part of the claimed design. The broken lines illustrating the hand and the food inside of the molded tortilla pocket are environment, while the remaining broken lines in FIG. 1 illustrate portions of the molded tortilla pocket that form no part of the claimed design. The dash-dot-dash broken lines in FIGS. 1-7 illustrate the boundary of the claimed design which forms no part thereof.

(56) **References Cited**

**U.S. PATENT DOCUMENTS**

- D17,628 S 8/1887 Carr
- D31,530 S \* 9/1899 Kulman ..... D9/712

**1 Claim, 6 Drawing Sheets**



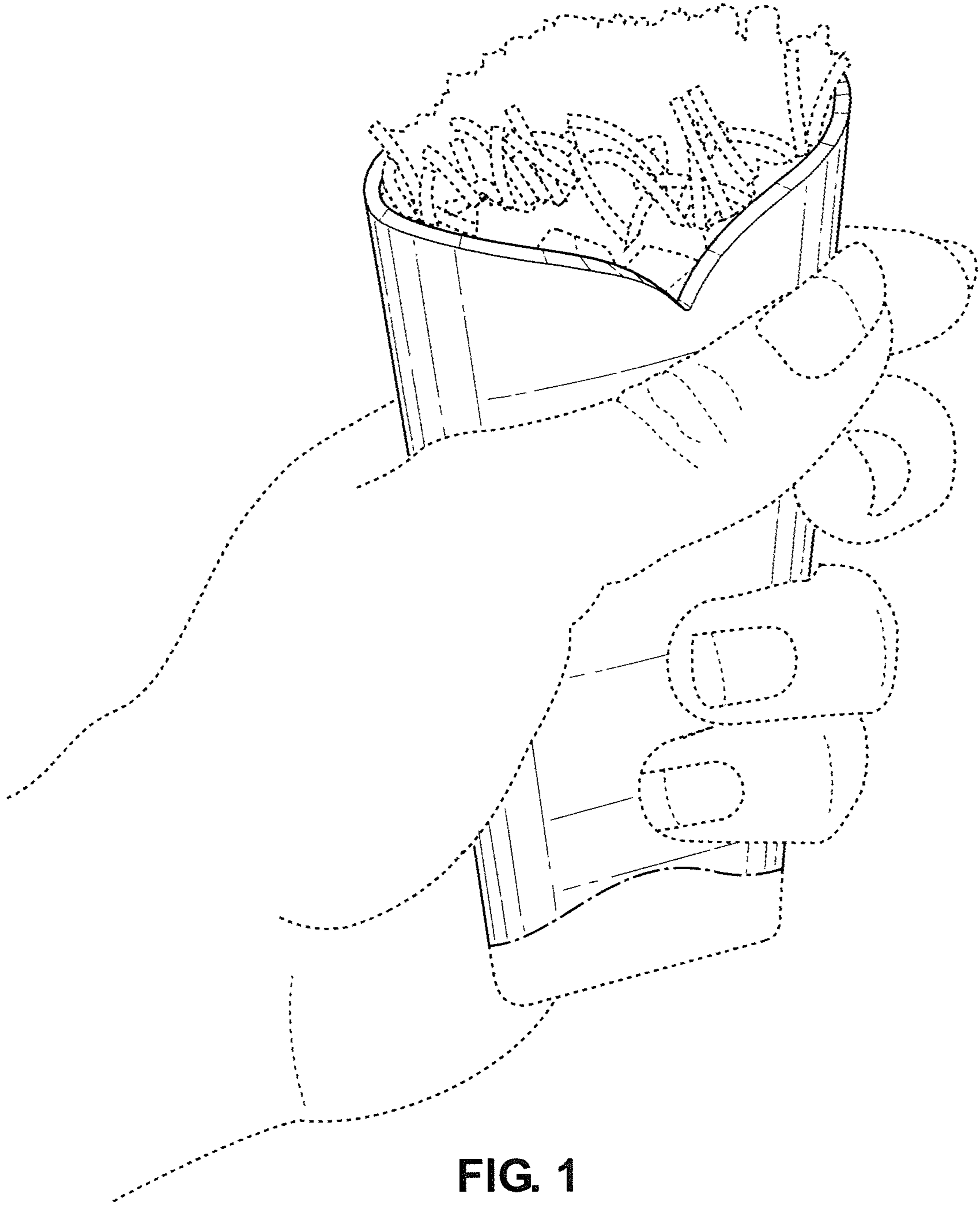
(56)

References Cited

U.S. PATENT DOCUMENTS

2,131,003 A *	9/1938	Lucia	.....	B65D 3/06	5,322,071 A	6/1994	Ambrose
				229/400	5,518,748 A	5/1996	Ito
3,290,841 A *	12/1966	Sartore	.....	A22C 11/005	5,569,225 A	10/1996	Fleury
				53/258	D394,989 S	6/1998	Block
3,410,691 A	11/1968	Stanley			D495,798 S	9/2004	Gugliotta
3,424,076 A	1/1969	Bernatz et al.			D499,482 S	12/2004	Gugliotta
D247,868 S	5/1978	Britt			D527,101 S	8/2006	Fernandez
4,108,222 A *	8/1978	Kaufman	.....	B67C 11/02	D623,826 S	9/2010	Griebel
				141/337	D731,052 S	6/2015	Doerr et al.
D292,940 S	12/1987	Dipietro			D822,316 S	7/2018	Cammarota et al.
D302,042 S *	7/1989	McGovern	.....	D24/122	D834,184 S	11/2018	Anderson
4,929,458 A	5/1990	Smietana			D852,352 S *	6/2019	Dobson ..... D24/122
4,940,189 A *	7/1990	Cremonese	.....	B65D 5/008	D869,119 S *	12/2019	Cammarota ..... D1/122
				141/337	D869,120 S *	12/2019	Cammarota ..... D1/122
					D873,527 S *	1/2020	Cammarota ..... D1/122
4,990,145 A	2/1991	Fleury			2008/0160150 A1	7/2008	Hupfer et al.
5,009,902 A	4/1991	Mercenari			2008/0220132 A1	9/2008	Taminich
5,121,779 A	6/1992	Green			2009/0285950 A1	11/2009	Baker
					2017/0258098 A1	9/2017	Vogler

\* cited by examiner



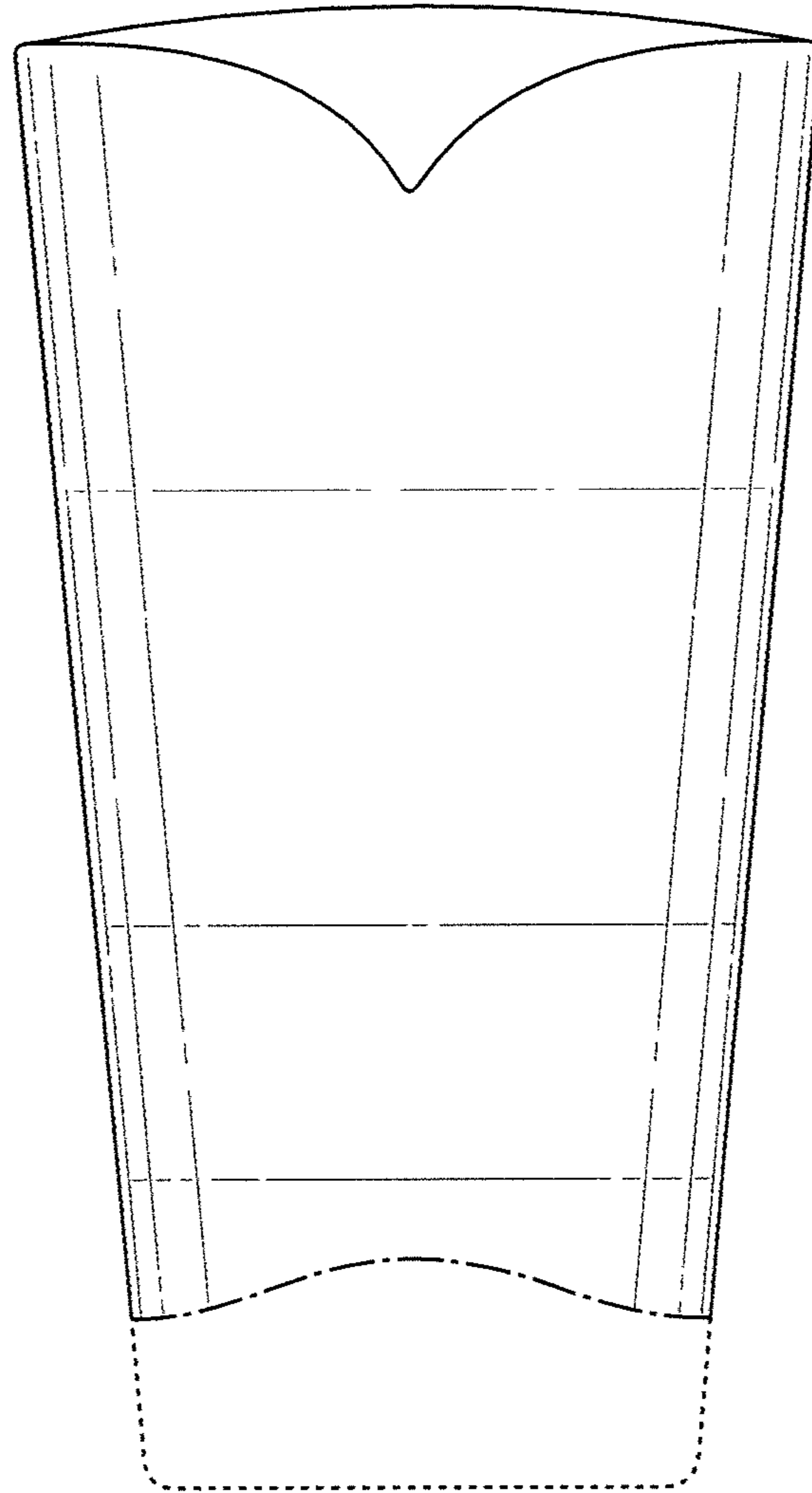


FIG. 2

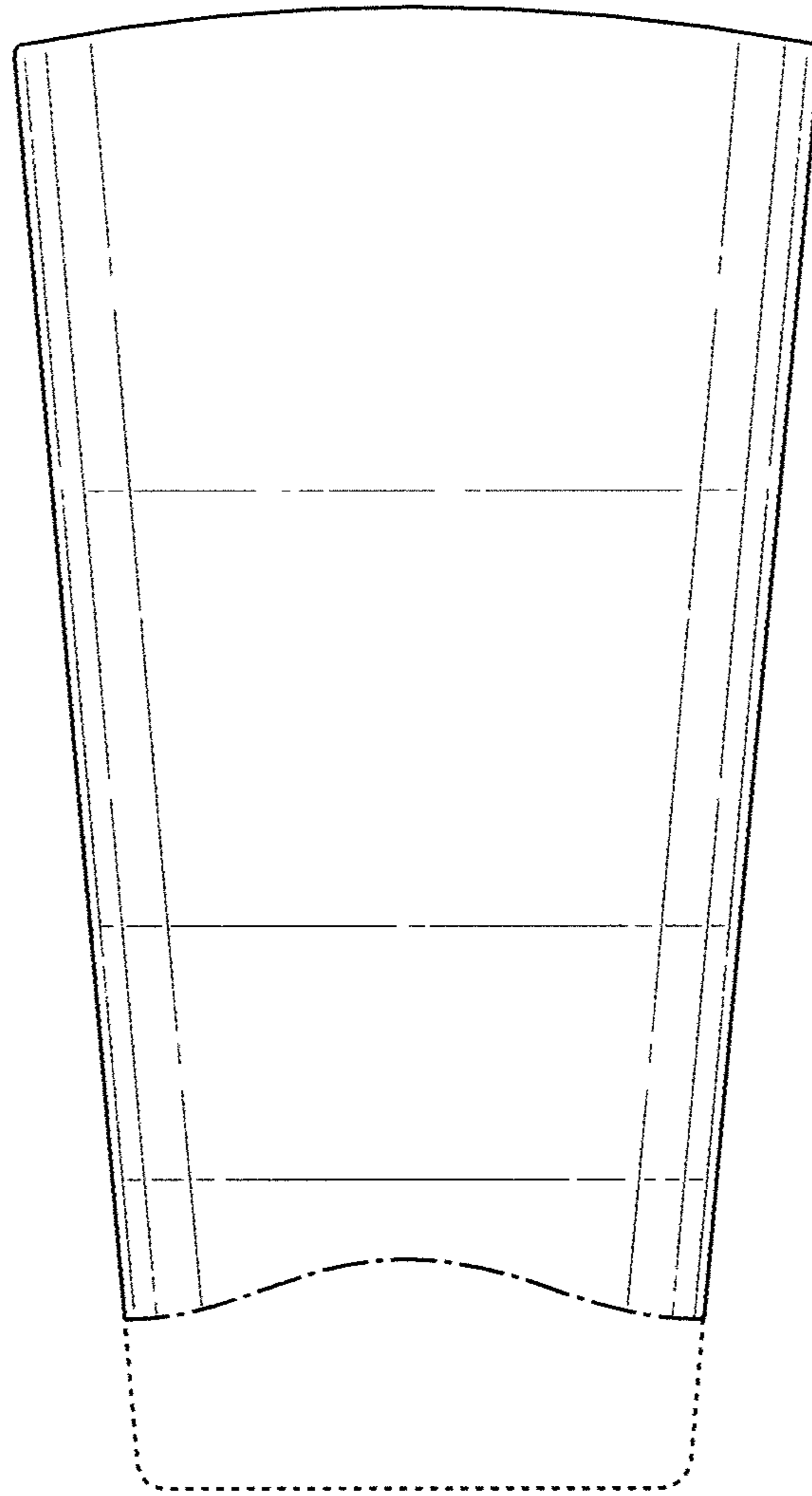


FIG. 3

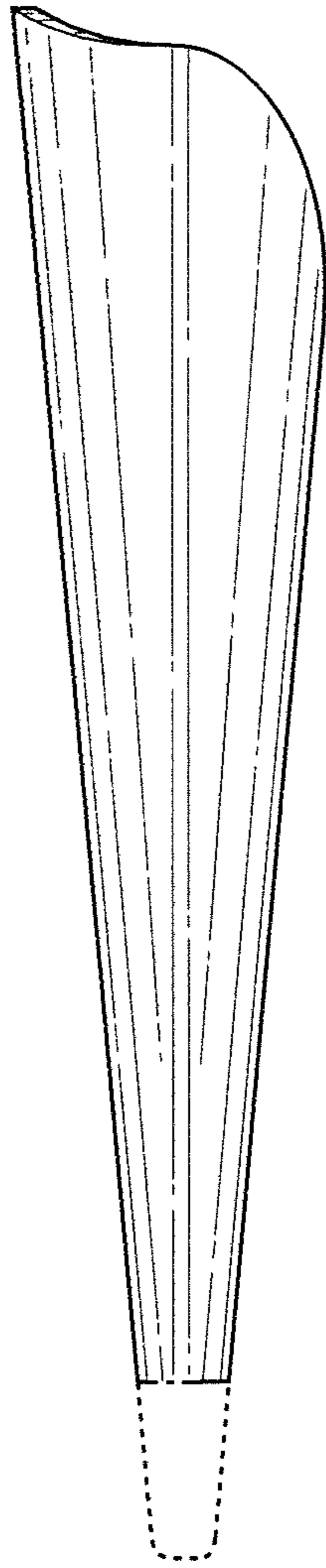


FIG. 4

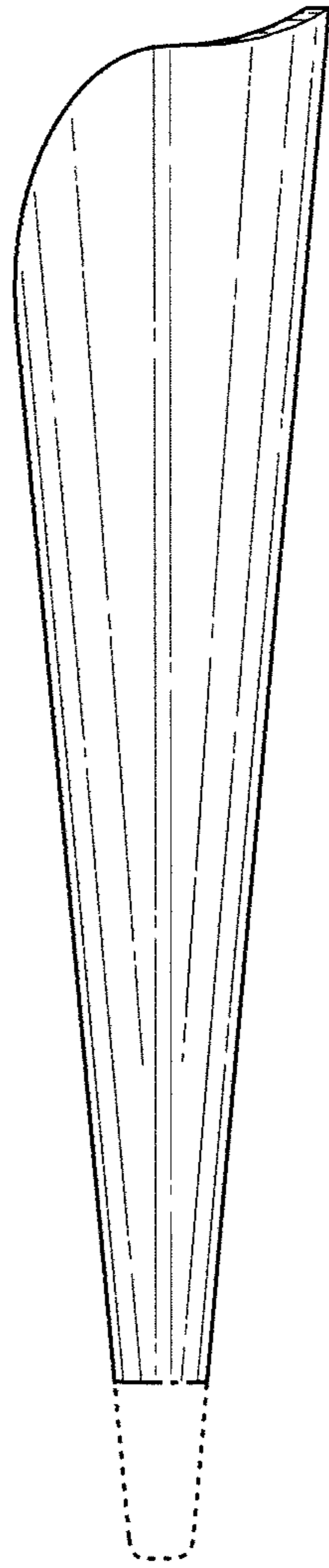


FIG. 5

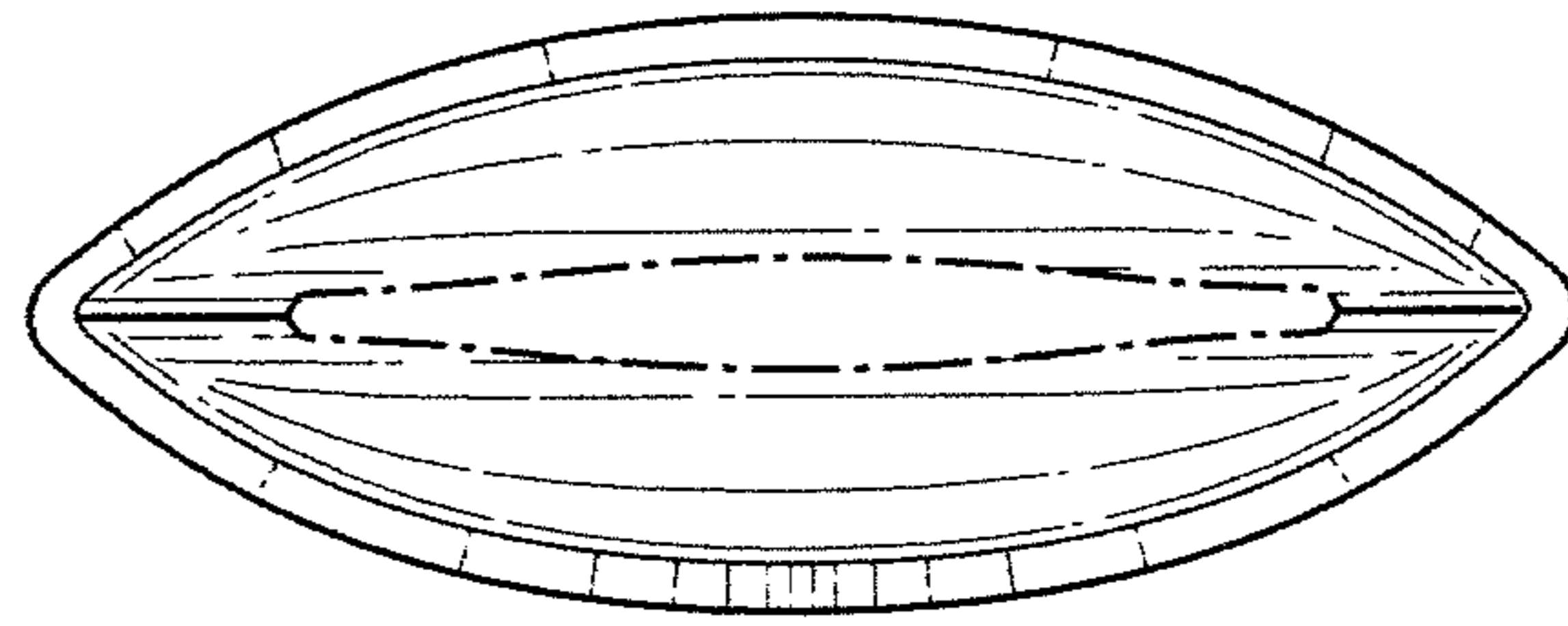


FIG. 6

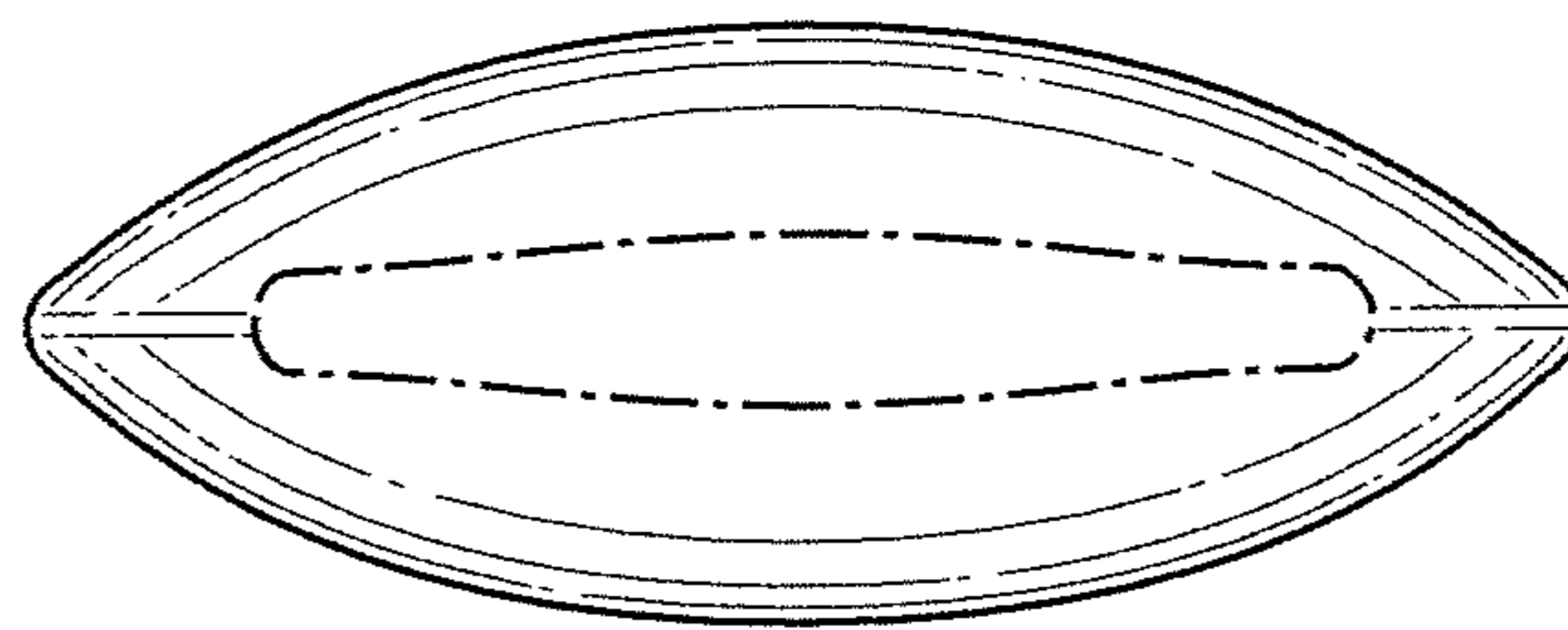


FIG. 7