



US00D906626S

(12) **United States Design Patent**  
**Cammarota et al.**

(10) **Patent No.:** **US D906,626 S**  
(45) **Date of Patent:** **\*\* Jan. 5, 2021**

(54) **MOLDED TORTILLA POCKET**  
(71) Applicant: **General Mills, Inc.**, Minneapolis, MN (US)  
(72) Inventors: **Carina Claudia Cammarota**, Navarra (ES); **John J Fenske**, Shoreview, MN (US); **Zac Harder**, Crystal, MN (US); **Chad M Kubat**, Woodbury, MN (US); **Ralph A Stenvik**, Plymouth, MN (US)  
(73) Assignee: **General Mills, Inc.**, Minneapolis, MN (US)

D62,515 S 6/1923 Wood  
1,835,719 A 12/1931 Parr  
1,850,356 A 3/1932 Parr  
D88,951 S 1/1933 Davison  
1,951,642 A \* 3/1934 Augustin ..... A01G 9/026  
47/72

(Continued)

*Primary Examiner* — Katie Jane Stofko  
(74) *Attorney, Agent, or Firm* — Diederiks & Whitelaw, PLC; John L. Crimmins, Esq.

(\*\*) Term: **15 Years**

(57) **CLAIM**

The ornamental design for a molded tortilla pocket, as shown and described.

(21) Appl. No.: **29/698,350**

**DESCRIPTION**

(22) Filed: **Jul. 16, 2019**  
(51) **LOC (13) Cl.** ..... **01-01**  
(52) **U.S. Cl.**  
USPC ..... **D1/122**  
(58) **Field of Classification Search**  
USPC ..... D1/100–130, 199; 426/94, 104, 138, 426/143, 144, 274, 283, 303, 391, 512, 426/514, 518, 549; D6/597, 601; D7/675, 560, 566, 568, 601, 700; D24/121, 122; D28/8.1, 8.2; D21/385, D21/386, 707; D11/164; 47/72  
CPC ..... A23L 1/0067; A23L 1/005; A23L 1/0052; A23L 1/217; A23G 9/48; A23G 3/54; A23V 2002/00  
See application file for complete search history.

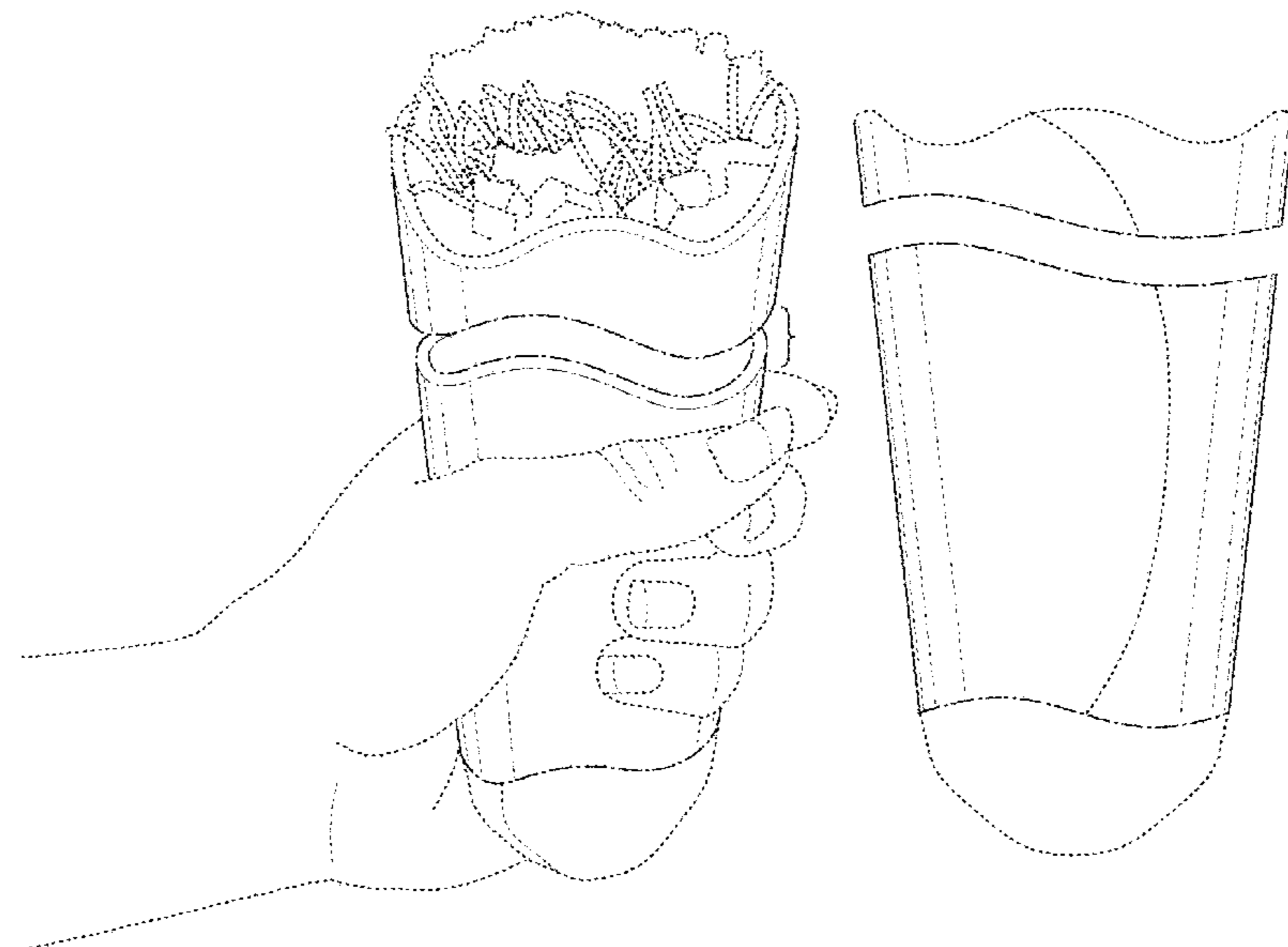
FIG. 1 is a top, front perspective view of a molded tortilla pocket according to our new design; FIG. 2 is a front elevational view of the molded tortilla pocket; FIG. 3 is a rear elevational view of the molded tortilla pocket; FIG. 4 is a left side view of the molded tortilla pocket; FIG. 5 is a right-side view of the molded tortilla pocket; FIG. 6 is a top plan view of the molded tortilla pocket; and, FIG. 7 is a bottom plan view of the molded tortilla pocket. The dash-dot-dash symbolic break lines shown in the middle portion of the molded tortilla pocket indicate that the appearance of any portion of the article between the break lines forms no part of the claimed design. The evenly-spaced broken lines illustrating the food inside of the molded tortilla pocket and the hand in FIG. 1 illustrates environment that form no part of the claimed design while the remaining evenly-spaced broken lines in the drawings illustrate portions of the molded tortilla pocket that form no part of the claimed design. The dash-dot-dash broken lines shown in FIGS. 1-7 illustrate the boundary of the claimed design which forms no part thereof.

(56) **References Cited**

**U.S. PATENT DOCUMENTS**

1,153,744 A \* 9/1915 Allen ..... B65D 3/06  
229/400  
1,300,164 A \* 4/1919 Guardino ..... B65D 5/2047  
229/104

**1 Claim, 4 Drawing Sheets**



(56)

References Cited

U.S. PATENT DOCUMENTS

D213,166 S 1/1969 Stanley  
 4,313,964 A 2/1982 Dembecki  
 D277,234 S 1/1985 Bank  
 D292,940 S 12/1987 DiPietro  
 5,336,511 A 8/1994 Der Beek  
 D361,298 S 8/1995 Weder et al.  
 D368,990 S 4/1996 Thomas  
 5,794,672 A \* 8/1998 Goldberg ..... A01G 27/006  
 141/331  
 D401,139 S \* 11/1998 Weder ..... D9/712  
 5,829,225 A 11/1998 Weder et al.  
 D402,915 S 12/1998 Weder et al.  
 D403,985 S \* 1/1999 Weder ..... D11/164  
 D404,298 S \* 1/1999 Weder ..... D1/116  
 D404,685 S \* 1/1999 Weder ..... D11/164  
 6,182,395 B1 2/2001 Weder et al.  
 6,430,870 B1 8/2002 Weder  
 6,705,046 B2 3/2004 Weder  
 6,807,771 B2 10/2004 Weder et al.

D514,463 S 2/2006 Levine  
 7,008,655 B1 3/2006 Aslanis  
 7,131,626 B2 11/2006 Cole  
 D623,826 S 9/2010 Griebel  
 D643,587 S 8/2011 Bianchi  
 8,349,384 B2 1/2013 Huxel et al.  
 D754,416 S 4/2016 Clements et al.  
 D759,342 S 6/2016 Clements et al.  
 9,764,503 B2 9/2017 Seto  
 D822,316 S 7/2018 Cammarota et al.  
 D835,360 S 12/2018 Lown  
 D836,737 S 12/2018 Breeden, III et al.  
 D844,219 S 3/2019 Reid  
 D872,416 S \* 1/2020 Cammarota ..... D1/122  
 D872,417 S \* 1/2020 Cammarota ..... D1/122  
 D872,418 S \* 1/2020 Cammarota ..... D1/122  
 D872,419 S \* 1/2020 Cammarota ..... D1/122  
 D872,967 S \* 1/2020 Cammarota ..... D1/122  
 2006/0216378 A1 9/2006 Boscolo  
 2010/0034930 A1 2/2010 Ko  
 2014/0272004 A1 9/2014 Porat

\* cited by examiner

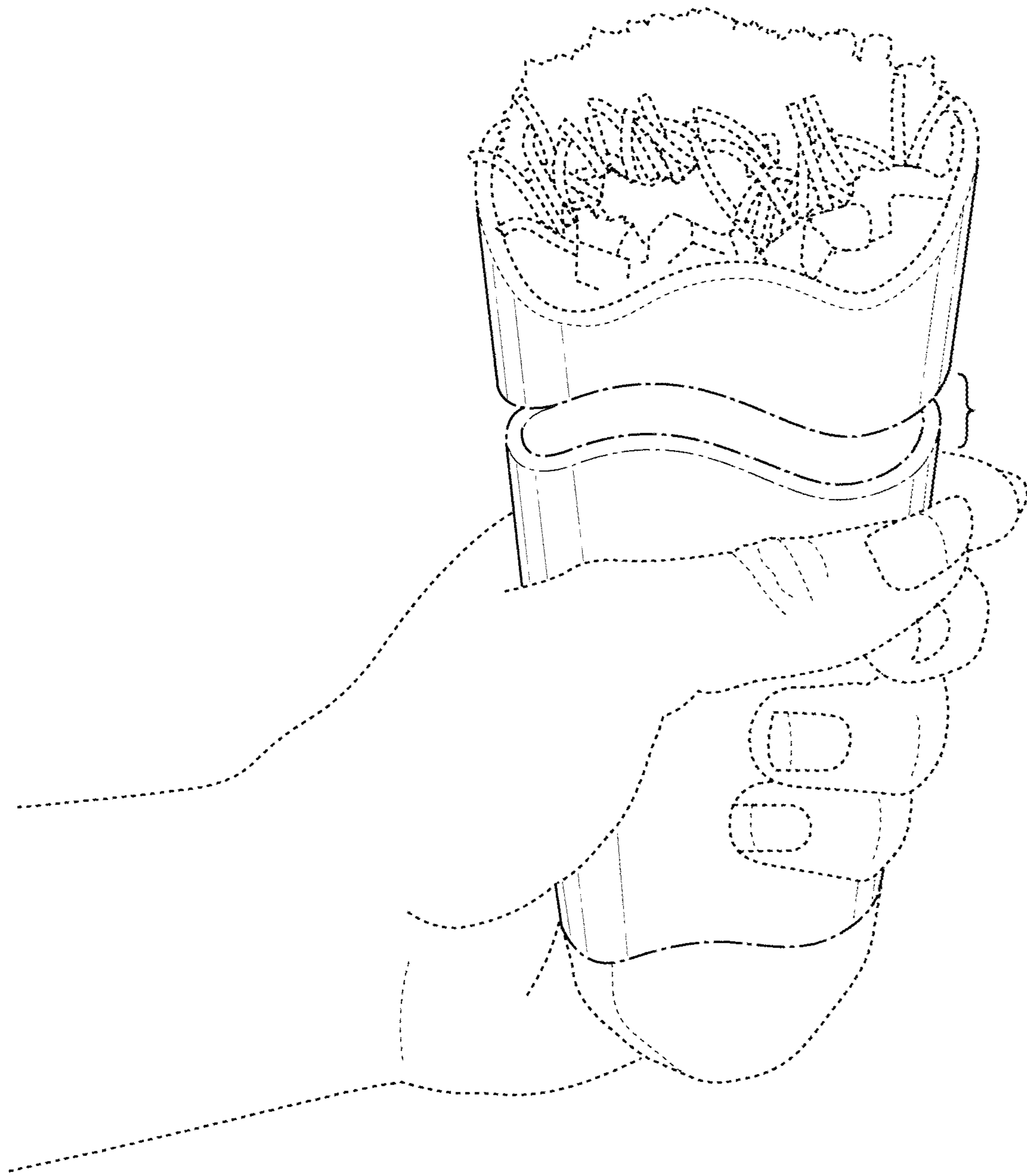


FIG. 1

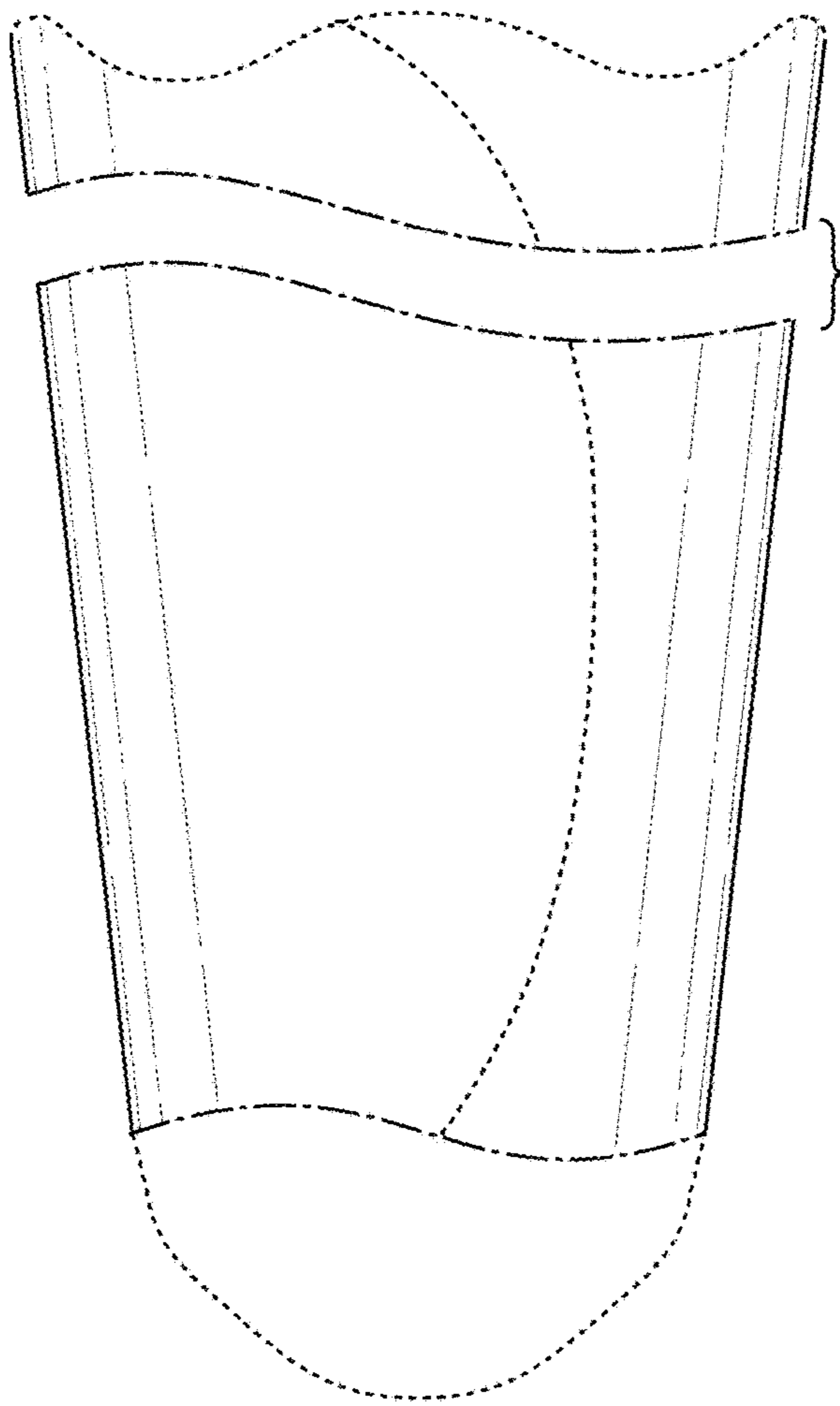


FIG. 2

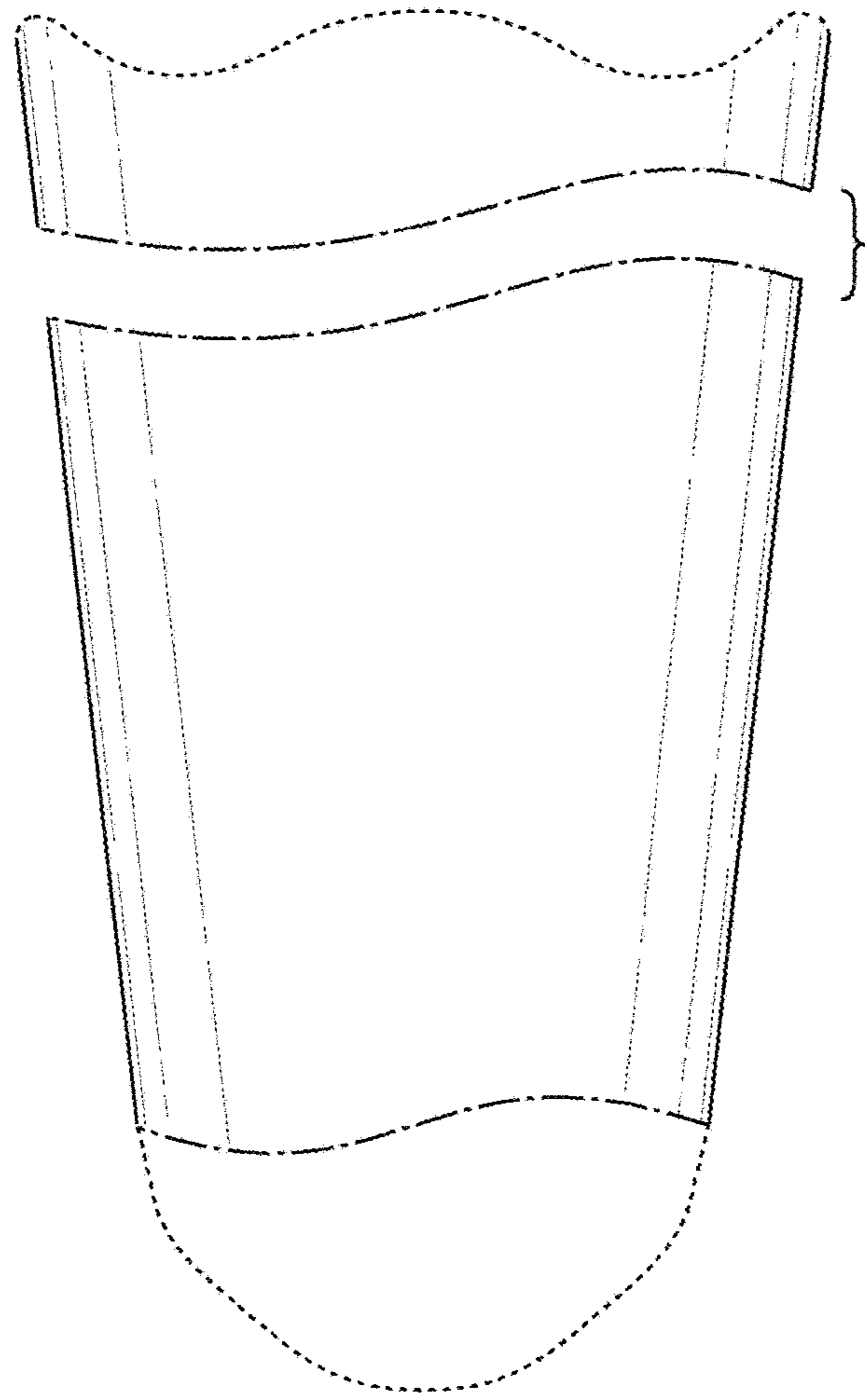


FIG. 3

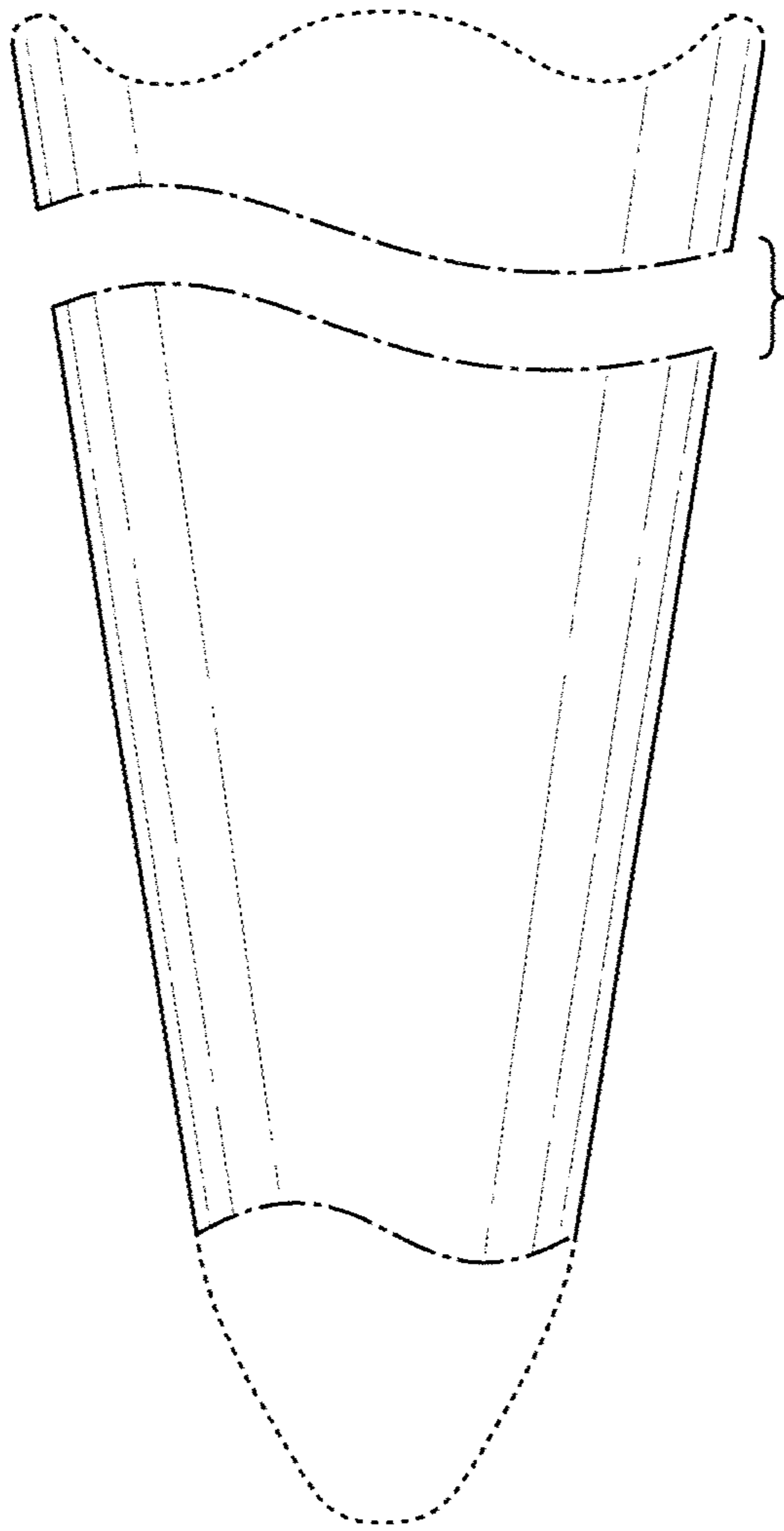


FIG. 4

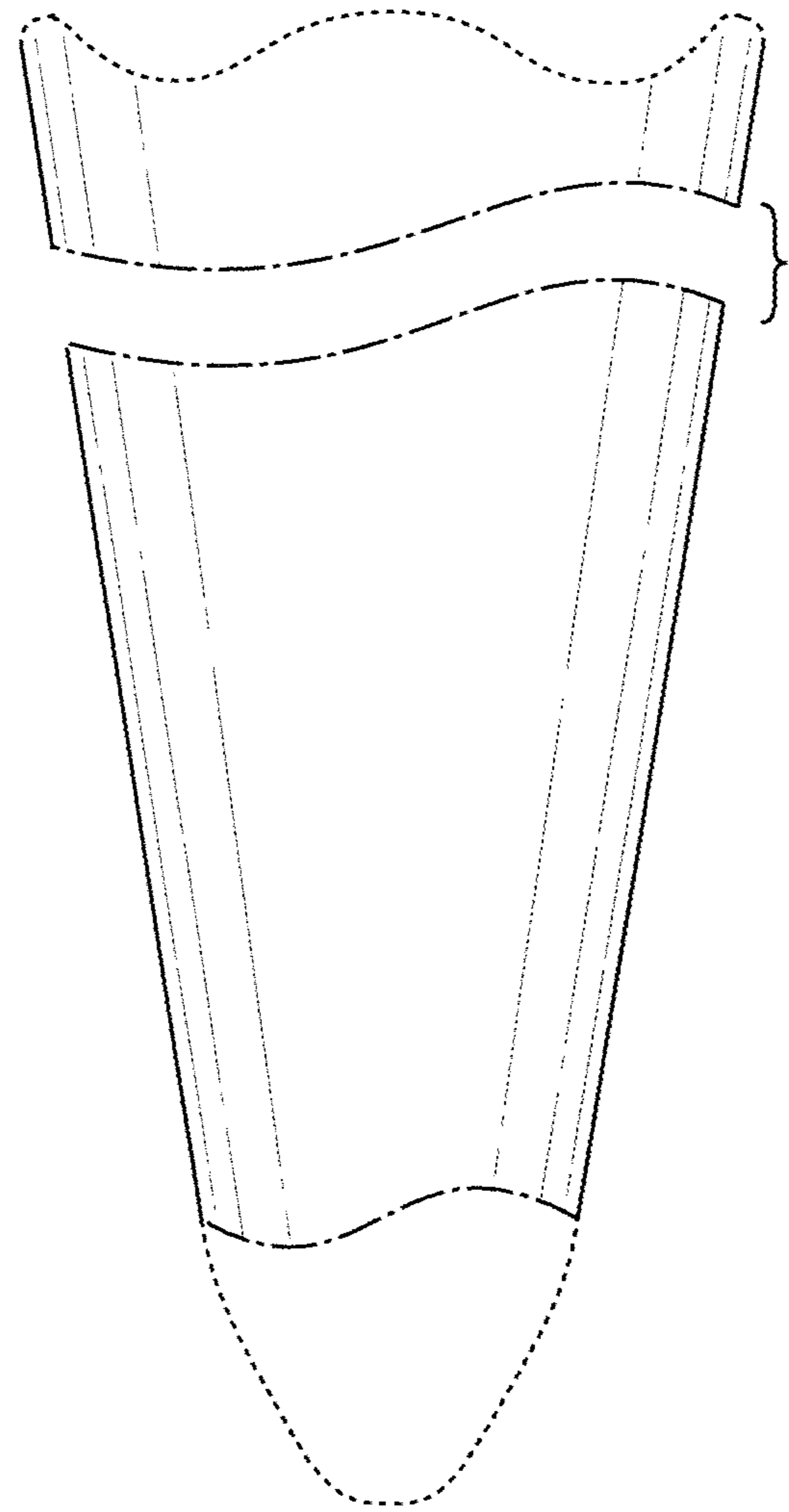
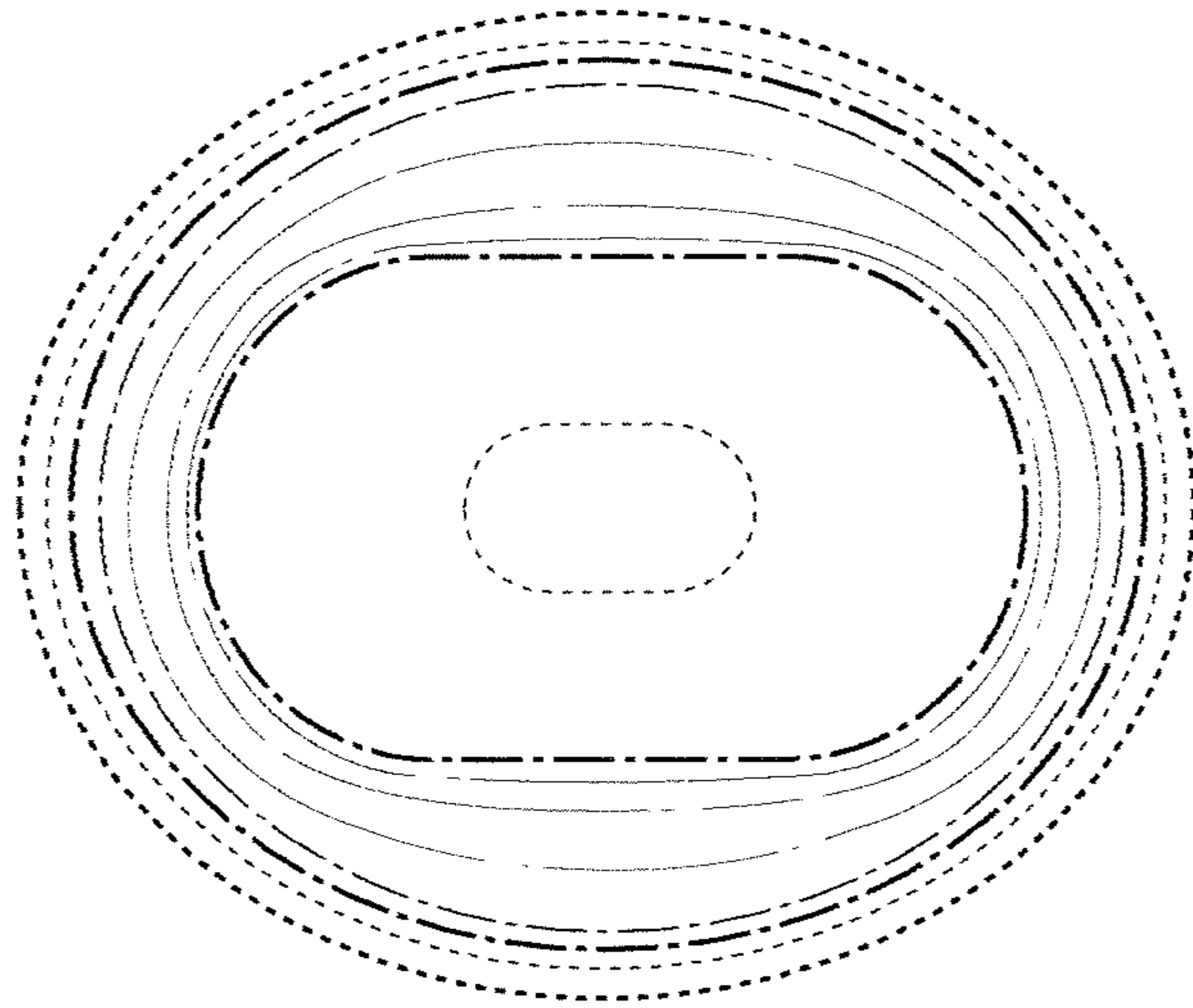
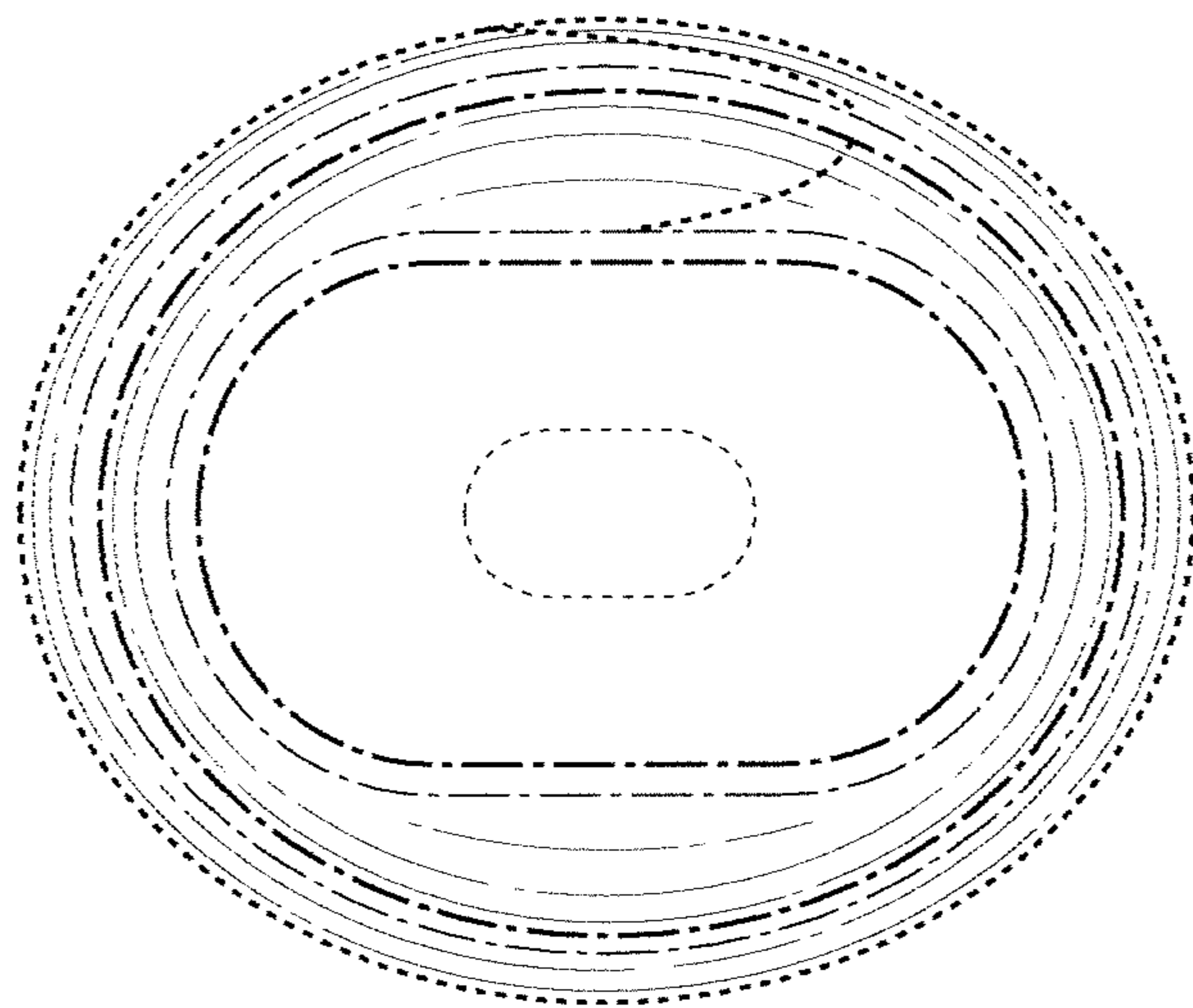


FIG. 5



**FIG. 6**



**FIG. 7**