



US00D906622S

(12) **United States Design Patent**  
**Zhengyang**

(10) **Patent No.:** **US D906,622 S**

(45) **Date of Patent:** **\*\* Dec. 29, 2020**

(54) **LOW CLEARANCE FLOOR JACK**

(71) Applicant: **Hangzhou Yingjiang Mach.Mfr. Co., LTD.**, Hangzhou (CN)

(72) Inventor: **Liu Zhengyang**, Hangzhou (CN)

(73) Assignee: **Hangzhou Yingjiang Mach.Mfr. Co., LTD.**, Hangzhou (CN)

(\*\*) Term: **15 Years**

(21) Appl. No.: **29/648,586**

(22) Filed: **May 22, 2018**

(51) **LOC (12) Cl.** ..... **12-05**

(52) **U.S. Cl.**  
USPC ..... **D34/31**

(58) **Field of Classification Search**  
USPC ..... D34/28, 31, 34, 35; 254/8 B, 93 H, 2 B,  
254/1, 93 R, 129, 84  
CPC ..... B66F 5/04; B66F 3/42; B66F 7/04; B66F  
7/0658; B66F 7/08; B66F 7/085; B66F  
5/00  
See application file for complete search history.

(56) **References Cited**

**U.S. PATENT DOCUMENTS**

5,947,447 A	9/1999	Sorensen	
D421,516 S *	3/2000	Hung	D34/31
6,505,816 B1 *	1/2003	Hung	B66F 5/04 254/8 B
7,137,615 B2	11/2006	Ray, Jr. et al.	
7,597,524 B2	10/2009	Hernandez	
7,640,737 B2	1/2010	Hernandez et al.	

D625,073 S	10/2010	Hernandez	
7,878,482 B2	2/2011	Hernandez, Jr.	
8,201,807 B2	6/2012	Hernandez, Jr.	
8,448,921 B2	5/2013	Hernandez	
D688,845 S	8/2013	Hernandez et al.	
D720,514 S *	12/2014	Fox	D34/31
D730,612 S *	5/2015	James	D34/31
D828,972 S *	9/2018	Wu	D34/31
D855,922 S *	8/2019	Fox	D34/31
D856,625 S *	8/2019	Shen	D34/31

\* cited by examiner

*Primary Examiner* — Gino Colan

(74) *Attorney, Agent, or Firm* — Cherskov Flaynik & Gurda, LLC

(57) **CLAIM**

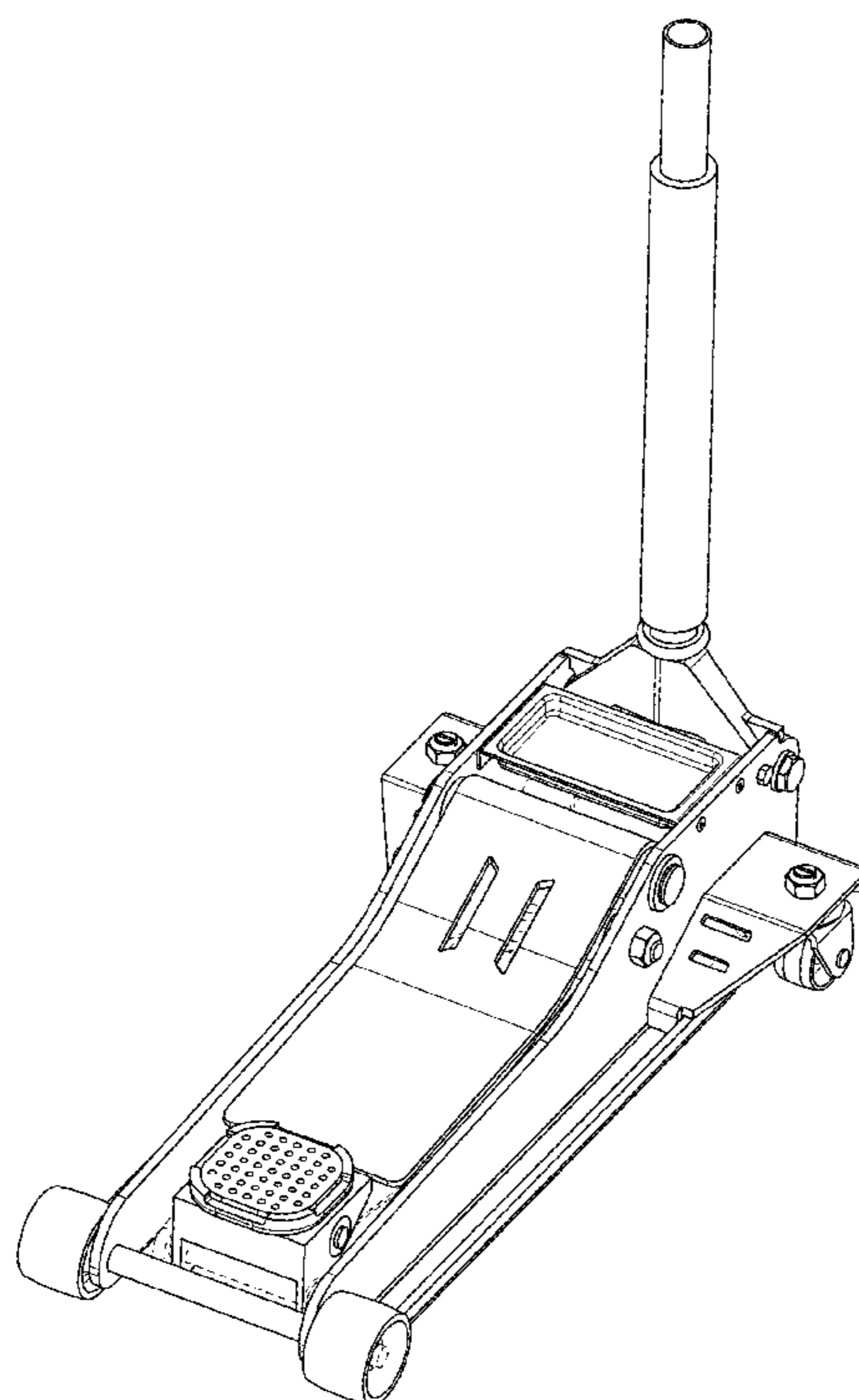
The ornamental design for a low clearance floor jack, as shown and described.

**DESCRIPTION**

FIG. 1 is a perspective view of a low clearance floor jack showing my new design in condition of use; FIG. 2 is a right side elevation view thereof; FIG. 3 is a left side elevation view thereof; FIG. 4 is a front elevation view thereof; FIG. 5 is a rear elevation view thereof; FIG. 6 is a top plan view thereof; and, FIG. 7 is a plan bottom view thereof.

The broken lines shown in the figures are included for the purpose of illustrating portions of the low clearance floor jack and form no part of the claimed design.

**1 Claim, 7 Drawing Sheets**



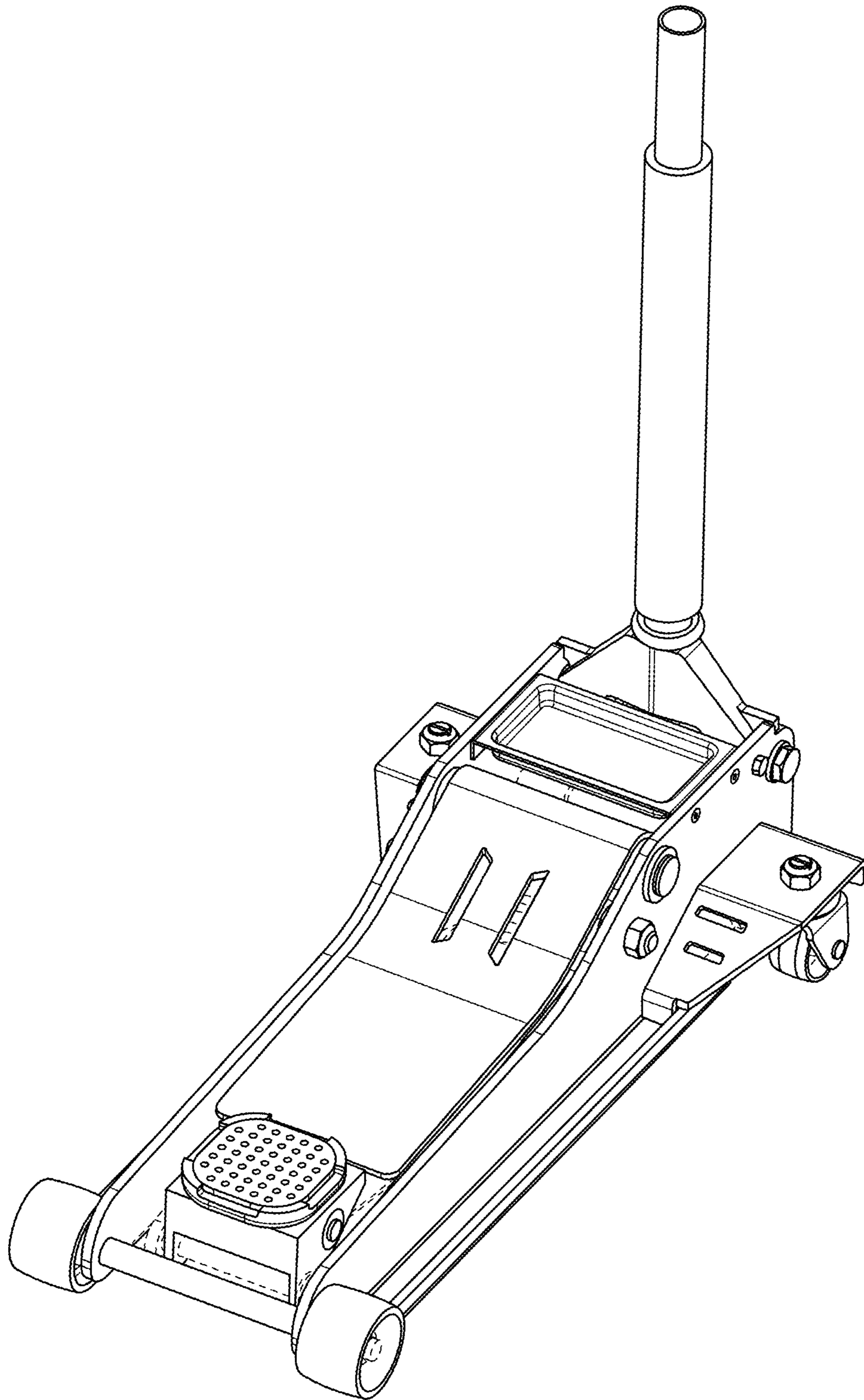


FIG. 1

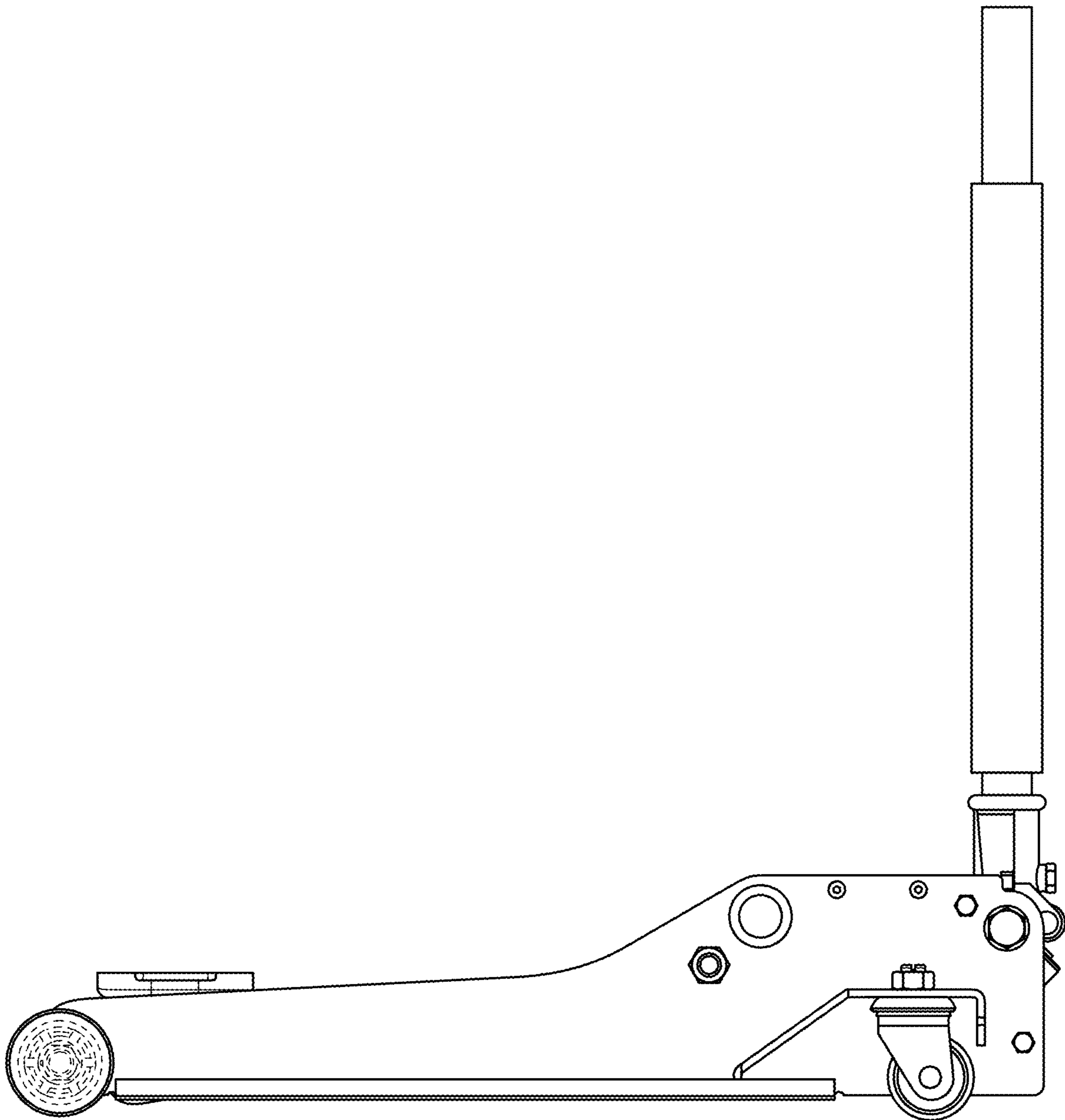


FIG. 2

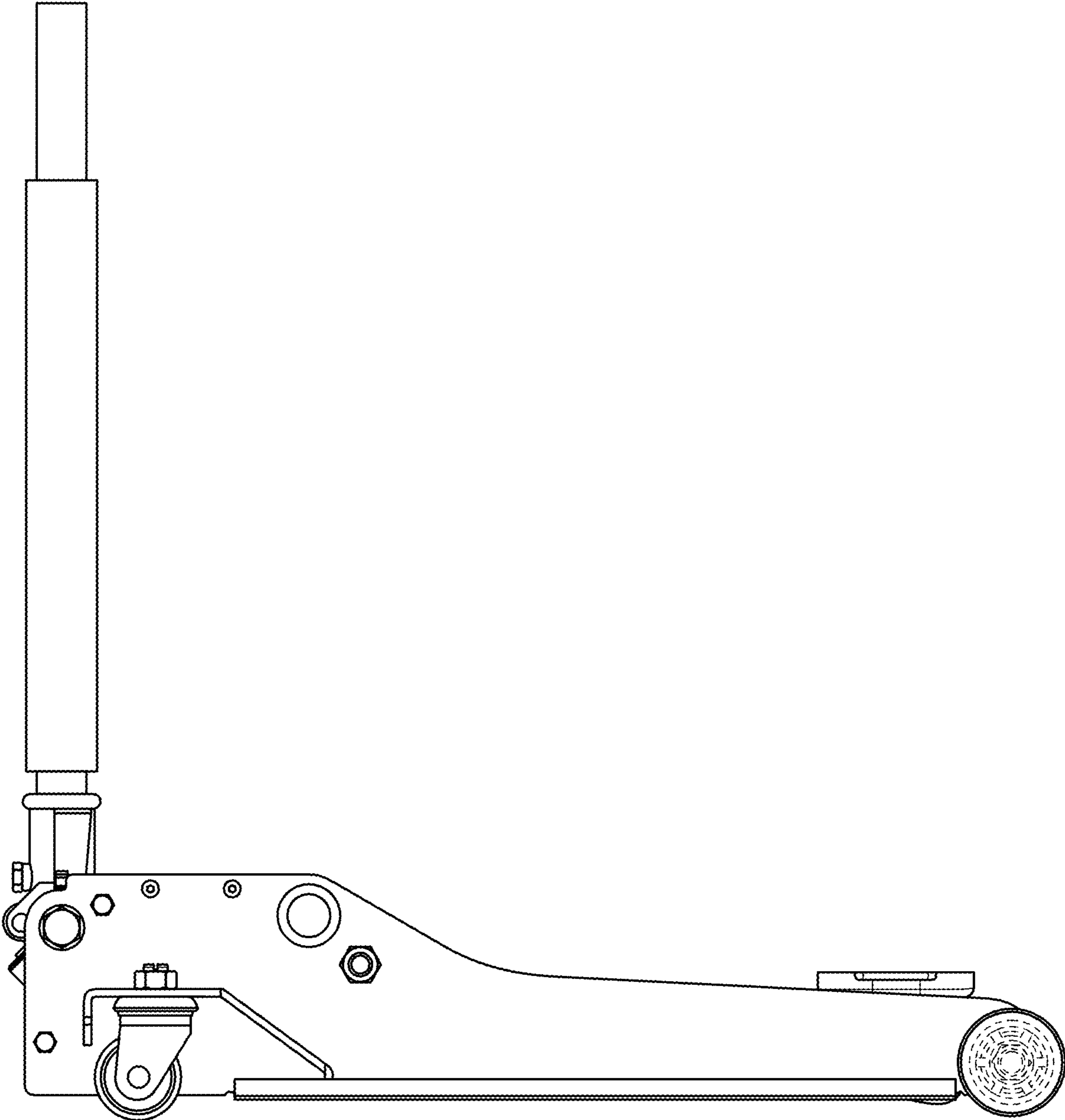


FIG. 3

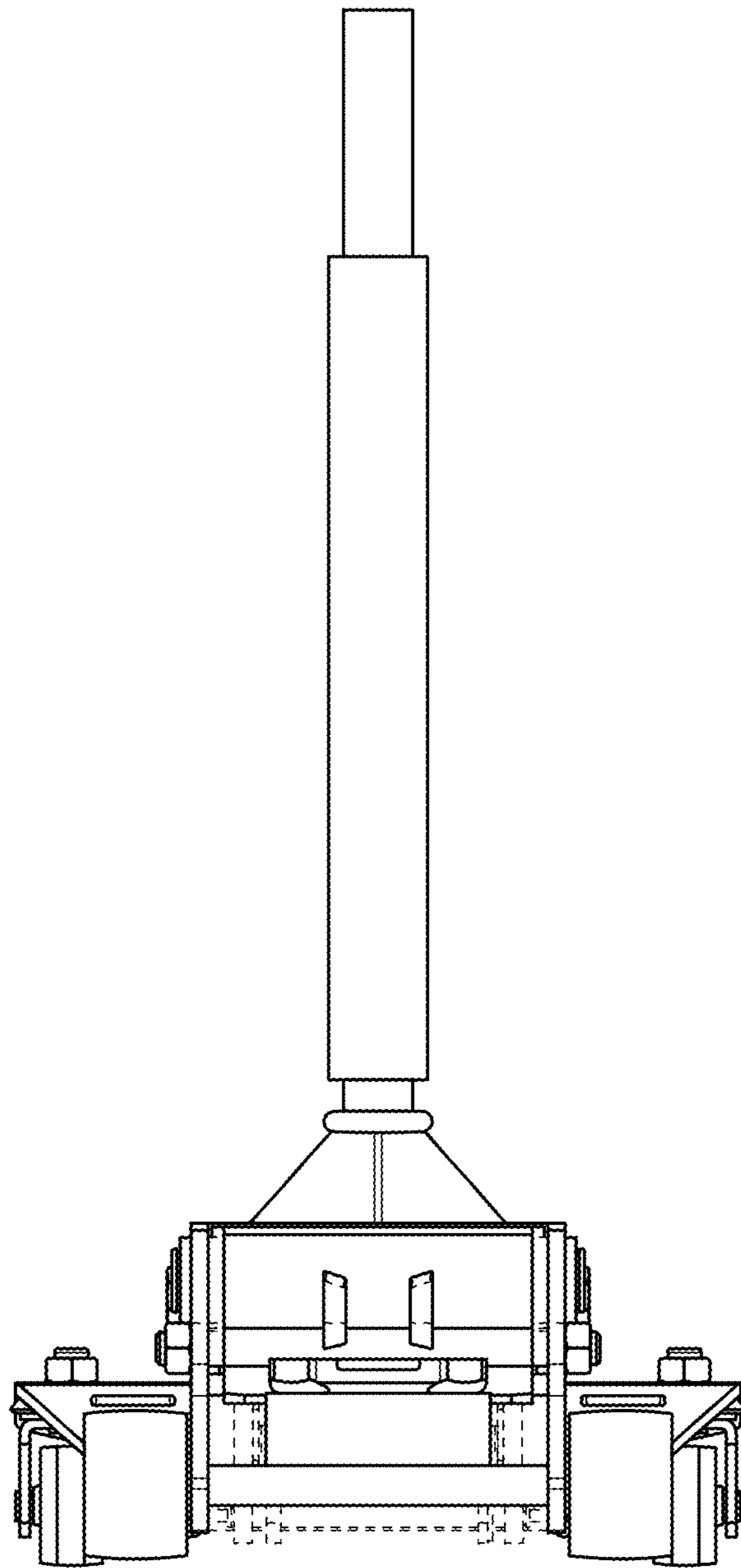


FIG. 4

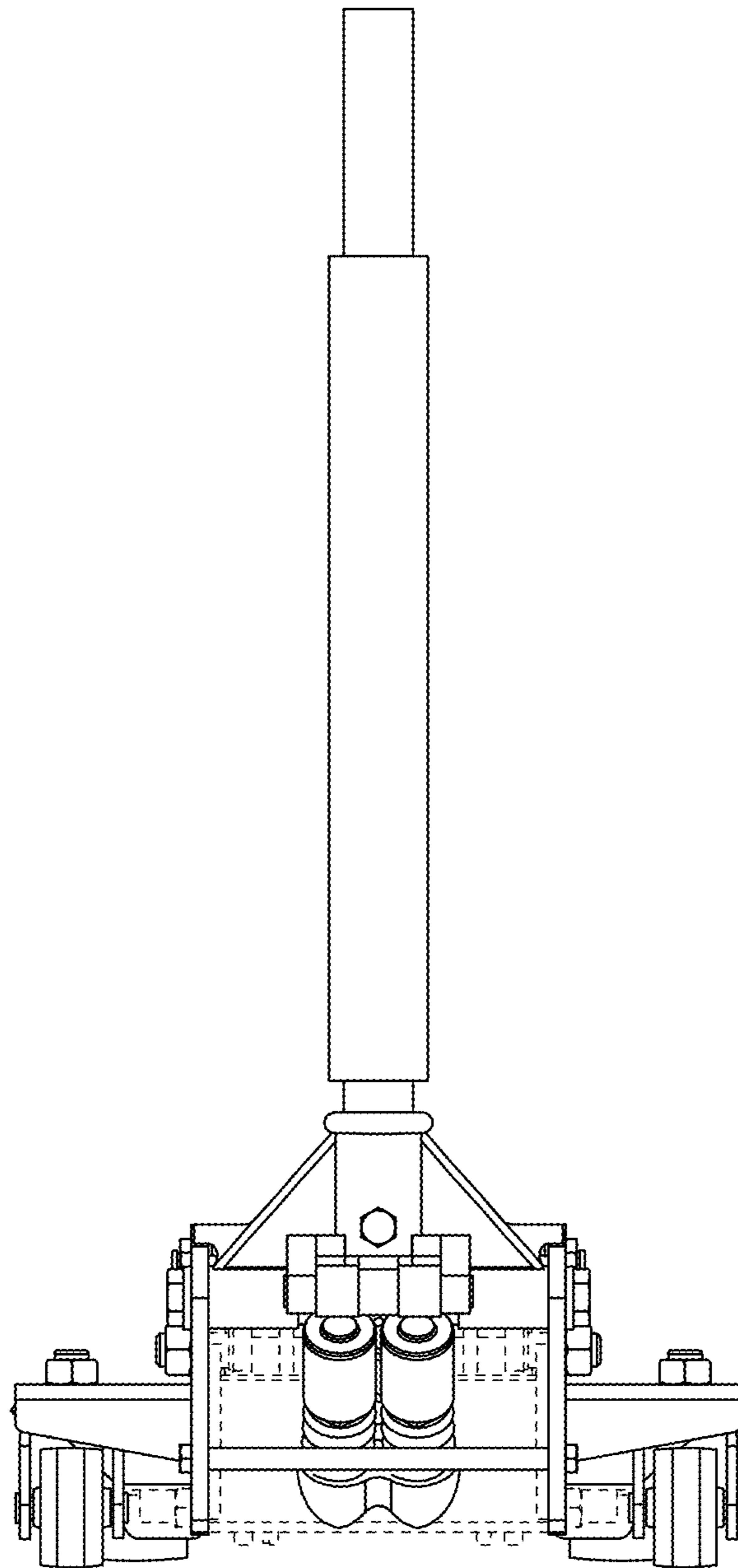


FIG. 5

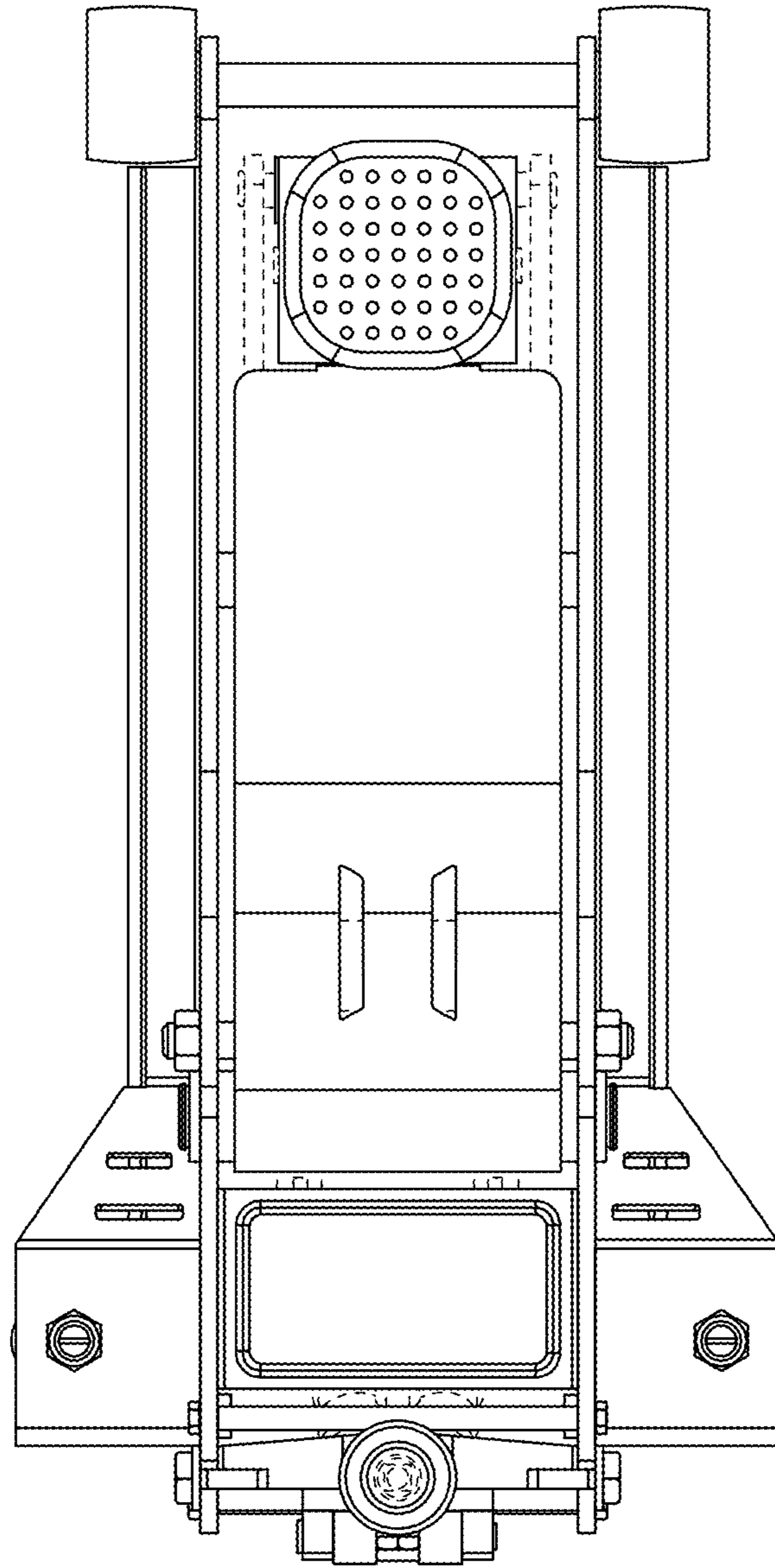


FIG. 6

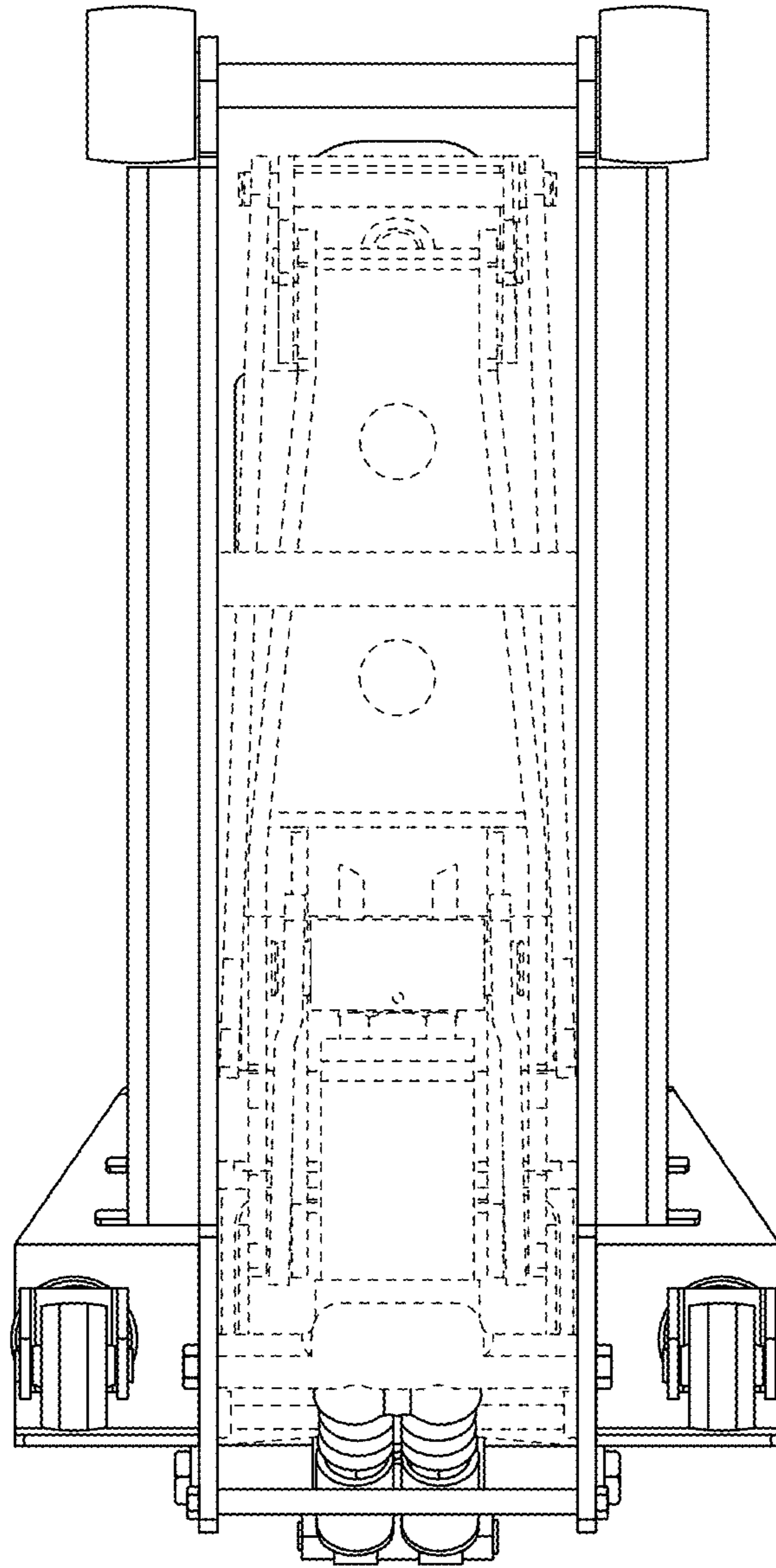


FIG. 7