



US00D906621S

(12) **United States Design Patent**
Kamath et al.

(10) **Patent No.:** **US D906,621 S**
(45) **Date of Patent:** **** Dec. 29, 2020**

- (54) **HOLLOW CHAIN LINK PIN**
- (71) Applicant: **Evoqua Water Technologies LLC**,
Warrendale, PA (US)
- (72) Inventors: **Krishna Kamath**, Billerica, MA (US);
Li-Shiang Liang, Harvard, MA (US);
Donald W. Hindman, Menomonee
Falls, WI (US)
- (73) Assignee: **Evoqua Water Technologies LLC**,
Pittsburgh, PA (US)
- (**) Term: **15 Years**
- (21) Appl. No.: **29/594,587**
- (22) Filed: **Feb. 21, 2017**
- (51) **LOC (12) Cl.** **12-05**
- (52) **U.S. Cl.**
USPC **D34/29**
- (58) **Field of Classification Search**
USPC D34/28-30, 33-38; 198/853, 851, 838,
198/850, 852, 699.1, 836.3, 392, 390;
474/206, 230, 212, 227; D8/499; 59/78,
59/84
CPC B65G 2207/12; F16G 13/06; F16G 13/07;
F16G 13/12
See application file for complete search history.

D280,288 S *	8/1985	Lickton	D8/499
6,422,667 B2 *	7/2002	Miyaura	B62D 55/21 305/202
7,704,175 B2 *	4/2010	Miyazawa	B21D 28/06 474/212
7,722,492 B2 *	5/2010	Santos	F16G 15/00 474/206
7,837,584 B2 *	11/2010	Wu	F16G 13/06 474/218
7,914,409 B2 *	3/2011	Aoki	F16G 13/06 474/212
7,914,410 B2 *	3/2011	Oishi	F16G 13/06 474/220
D735,961 S *	8/2015	Ido	D34/29
9,217,497 B2 *	12/2015	Huang	B66F 3/06
9,425,004 B2 *	8/2016	Cho	H01H 21/36

* cited by examiner

Primary Examiner — Gino Colan

(57) **CLAIM**

The ornamental design for a hollow chain link pin, as shown and described.

DESCRIPTION

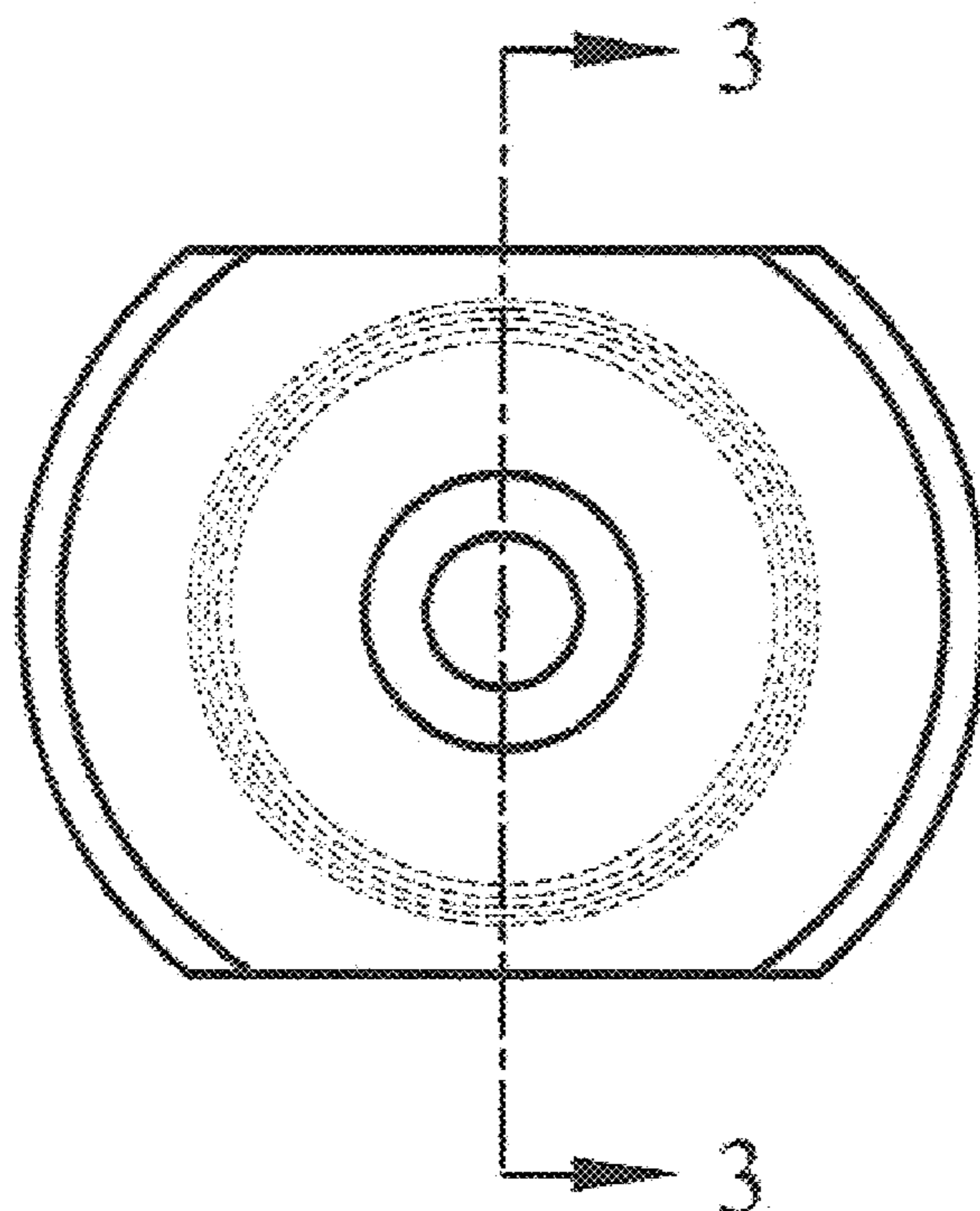
FIG. 1 is a top plan view of a hollow chain link pin showing our new design; FIG. 2 is a front elevation view thereof; and, FIG. 3 is a cross sectional view of FIG. 1 through 3-3. The broken lines shown in the figures are for the purpose of illustrating portions of the hollow chain link pin which forms no part of the claimed design.

1 Claim, 3 Drawing Sheets

(56) **References Cited**

U.S. PATENT DOCUMENTS

- 3,316,771 A * 5/1967 Nichols F16G 13/04
474/207
- 4,123,947 A 11/1978 Smith



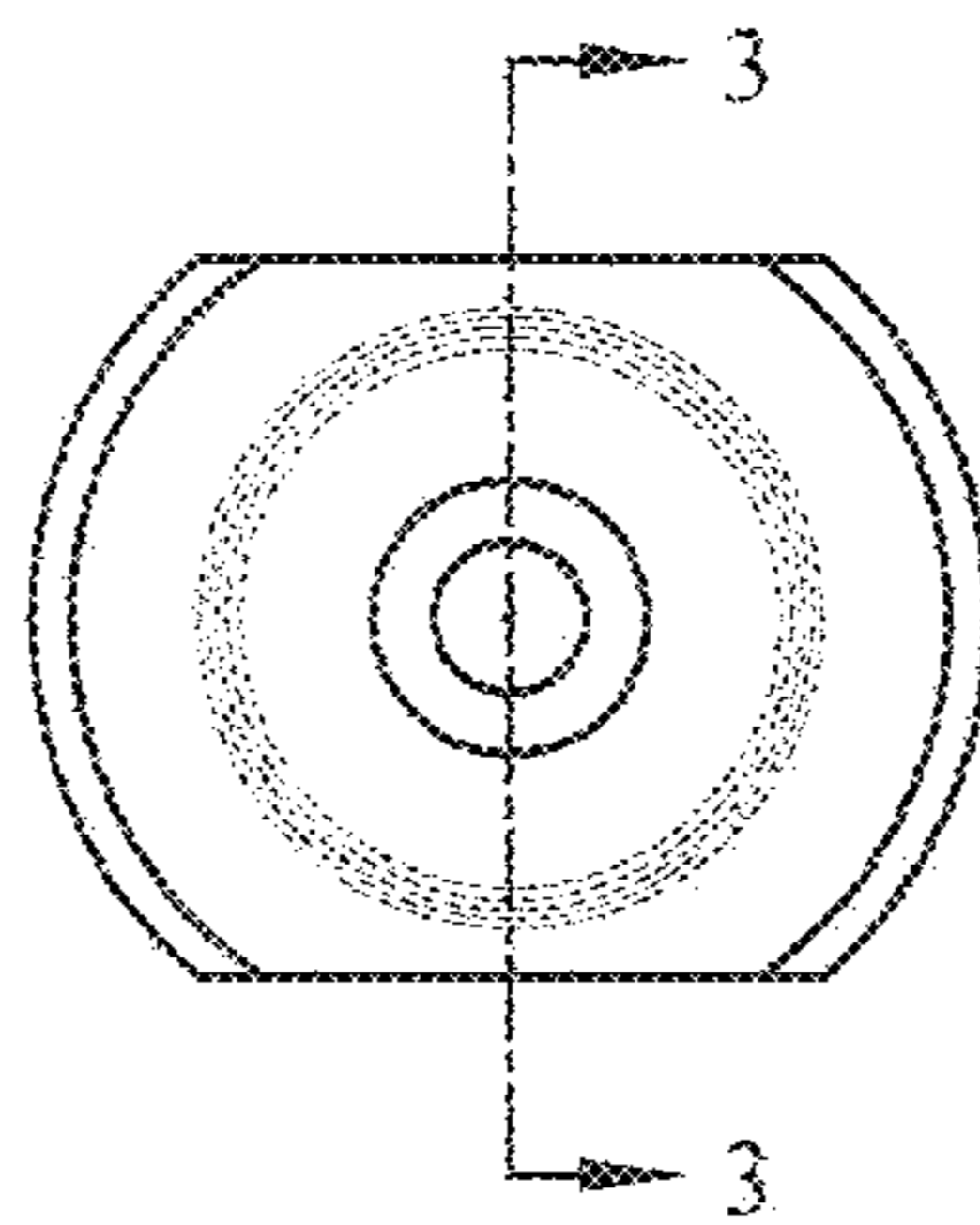


FIG. 1

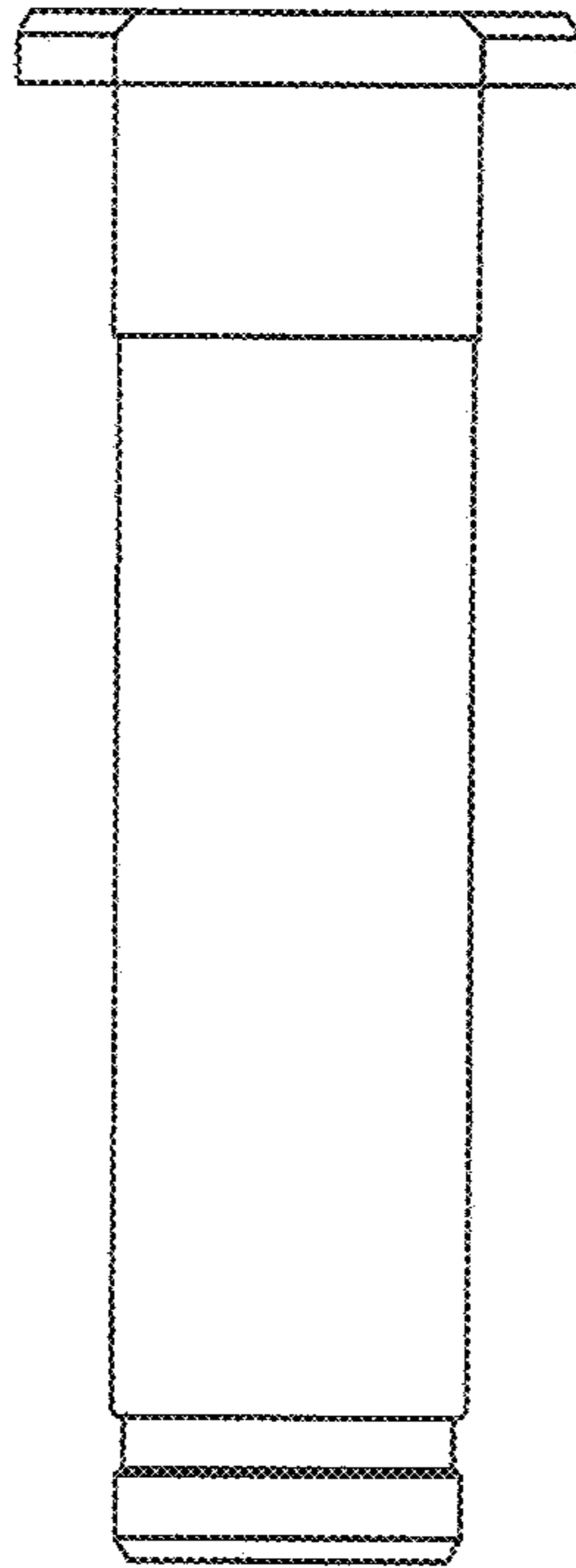
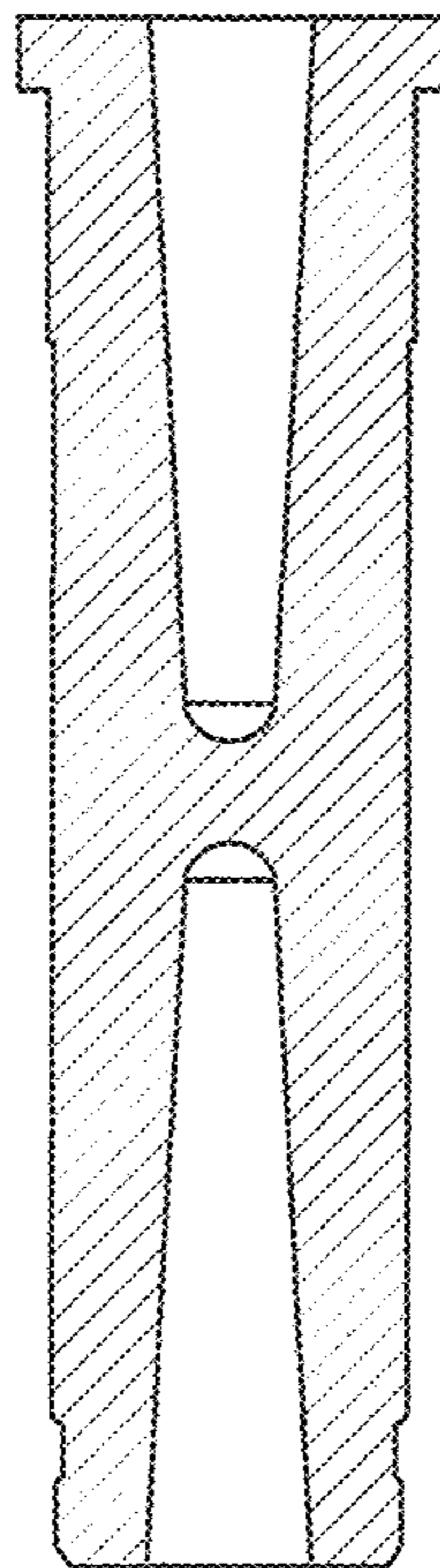


FIG. 2



SECTION 3-3

FIG. 3