



US00D906620S

(12) **United States Design Patent** (10) **Patent No.:** **US D906,620 S**
Tan (45) **Date of Patent:** **** Dec. 29, 2020**

(54) **DUSTBIN**
(71) Applicant: **Jianzhang Tan**, Jiangmen (CN)
(72) Inventor: **Jianzhang Tan**, Jiangmen (CN)
(**) Term: **15 Years**

D886,402 S * 6/2020 Chen D34/9
2005/0230396 A1 * 10/2005 Yang B65F 1/163
220/264
2008/0245794 A1 * 10/2008 Escobar B65F 1/163
220/263
2013/0105486 A1 * 5/2013 Mashburn B65F 1/08
220/495.06

(Continued)

(21) Appl. No.: **29/687,912**
(22) Filed: **Apr. 17, 2019**

OTHER PUBLICATIONS

Rubbermaid, announced Aug. 2015 [online], [site visited Sep. 4, 2020]. Available from internet, URL: <https://www.amazon.com/dp/B07WHTZHKJ> (Year: 2015).*

(Continued)

(30) **Foreign Application Priority Data**

Nov. 28, 2018 (CN) 2018 3 0681823

(51) **LOC (12) Cl.** **09-09**
(52) **U.S. Cl.**
USPC **D34/8**

Primary Examiner — Kevin K Rudzinski
Assistant Examiner — Tamara L Hahn
(74) *Attorney, Agent, or Firm* — Shlesinger, Arkwright & Garvey LLP

(58) **Field of Classification Search**
USPC D34/1-11; D9/737, 738, 770, 772, 777,
D9/778; D7/603, 604, 605, 608
CPC B65F 1/00; B65F 1/163; B65F 1/1638;
B65F 1/0033; B65F 1/16; B65F 1/122;
B65F 2001/1489; B65F 2240/132; Y10S
220/908; A01K 1/001

(57) **CLAIM**

I claim the ornamental design for a dustbin, as shown and described.

See application file for complete search history.

DESCRIPTION

(56) **References Cited**

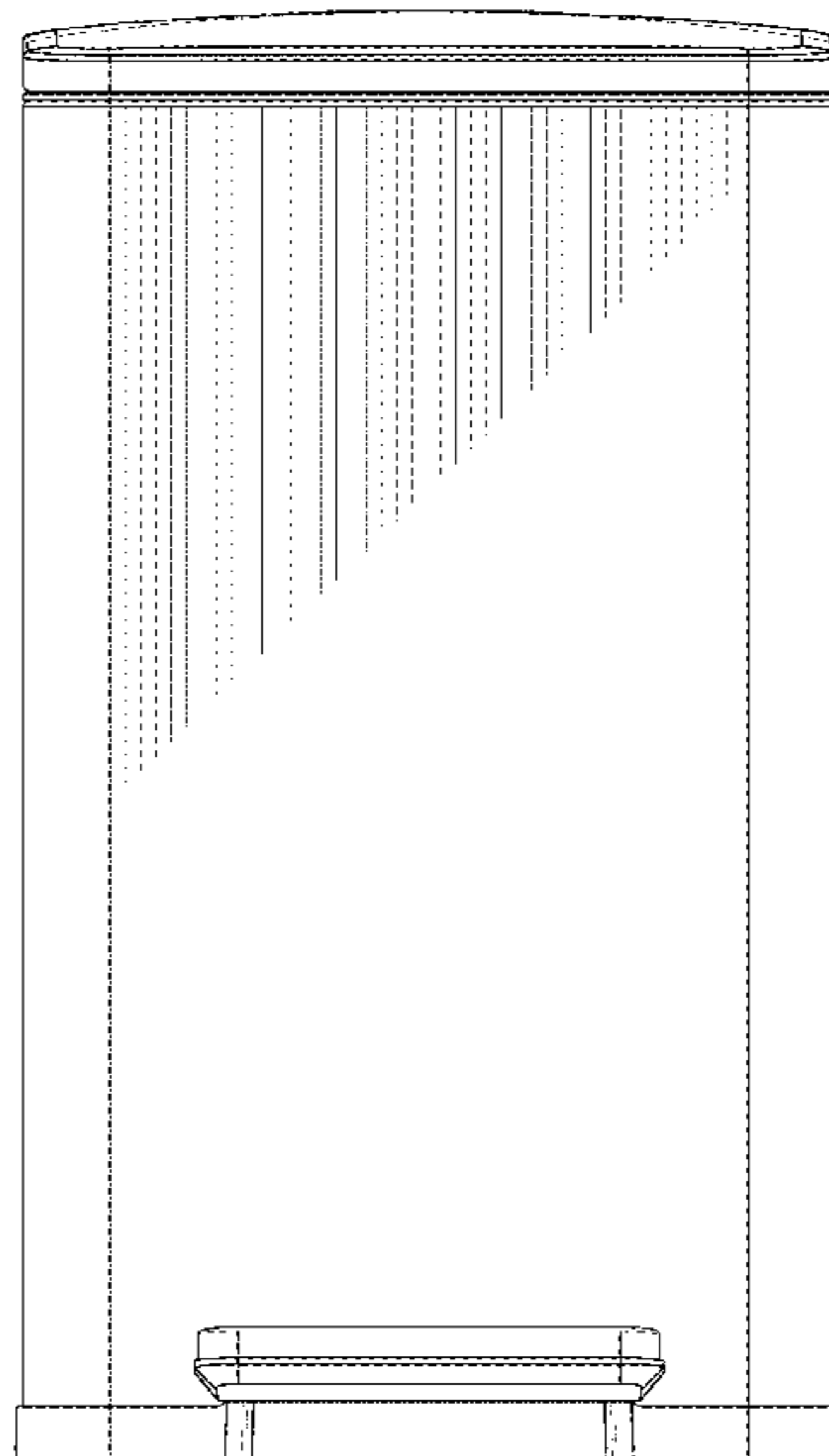
U.S. PATENT DOCUMENTS

D191,546 S * 10/1961 Garner D34/9
D319,905 S * 9/1991 Hotchkiss D34/7
D535,800 S * 1/2007 Yang D34/9
D572,423 S * 7/2008 Lin D34/9
D636,961 S * 4/2011 Duvigneau D34/9
D771,344 S * 11/2016 Yang D34/9
D773,769 S * 12/2016 Chen D34/9
D830,659 S * 10/2018 Greenspon D34/9
D841,275 S * 2/2019 Chen D34/9
D842,573 S * 3/2019 Smeets D34/9
D851,350 S * 6/2019 Lu D34/9
D853,068 S * 7/2019 Chen D34/9
D882,903 S * 4/2020 Chen D34/9

FIG. 1 is a front view of a dustbin showing my new design;
FIG. 2 is a rear view thereof;
FIG. 3 is a left-side view thereof;
FIG. 4 is a right-side view thereof;
FIG. 5 is a top view thereof;
FIG. 6 is a bottom view thereof;
FIG. 7 is a front perspective view thereof;
FIG. 8 is a rear perspective view thereof;
FIG. 9 is a perspective view in an alternate position; and,
FIG. 10 is a bottom perspective view thereof.

The broken lines shown in the drawings are for the purpose of illustrating portions of the dustbin that form no part of the claimed design.

1 Claim, 10 Drawing Sheets



(56)

References Cited

U.S. PATENT DOCUMENTS

2017/0127669 A1* 5/2017 Yang B65F 1/02
2019/0152696 A1* 5/2019 Wegner B65F 1/1646
2020/0207544 A1* 7/2020 Pestl E05F 15/73

OTHER PUBLICATIONS

Eko EcoCasa, announced Nov. 2018 [online], [site visited Sep. 4, 2020]. Available from internet, URL: <https://www.amazon.com/EKO-Compartment-Rectangular-20L-Stainless/dp/B07ZG5TJPS/> (Year: 2018).*

Kohler , announced Mar. 2019 [online], [site visited Sep. 4, 2020]. Available from internet, URL: <https://www.wayfair.com/school-furniture-and-supplies/pdp/kohler-8-gallon-loft-stainless-steel-step-trash-can-lbpr1095.html> (Year: 2019).*

Innovaze, announced Mar. 2020 [online], [site visited Sep. 4, 2020]. Available from internet, URL: <https://www.wayfair.com/Innovaze--Stylish-Stainless-Steel-8-Gallon-Step-on-Trash-Can-Sets-MEGACASAA1906430007-L500-K-INVZ1014.html> (Year: 2020).*

Amazon Basics, announced 2020 [online], [site visited Sep. 4, 2020]. Available from internet, URL: <https://www.amazon.com/AmazonBasics-Rectangle-Soft-Close-Trash-Can/dp/B07PBV75T2/> (Year: 2020).*

* cited by examiner

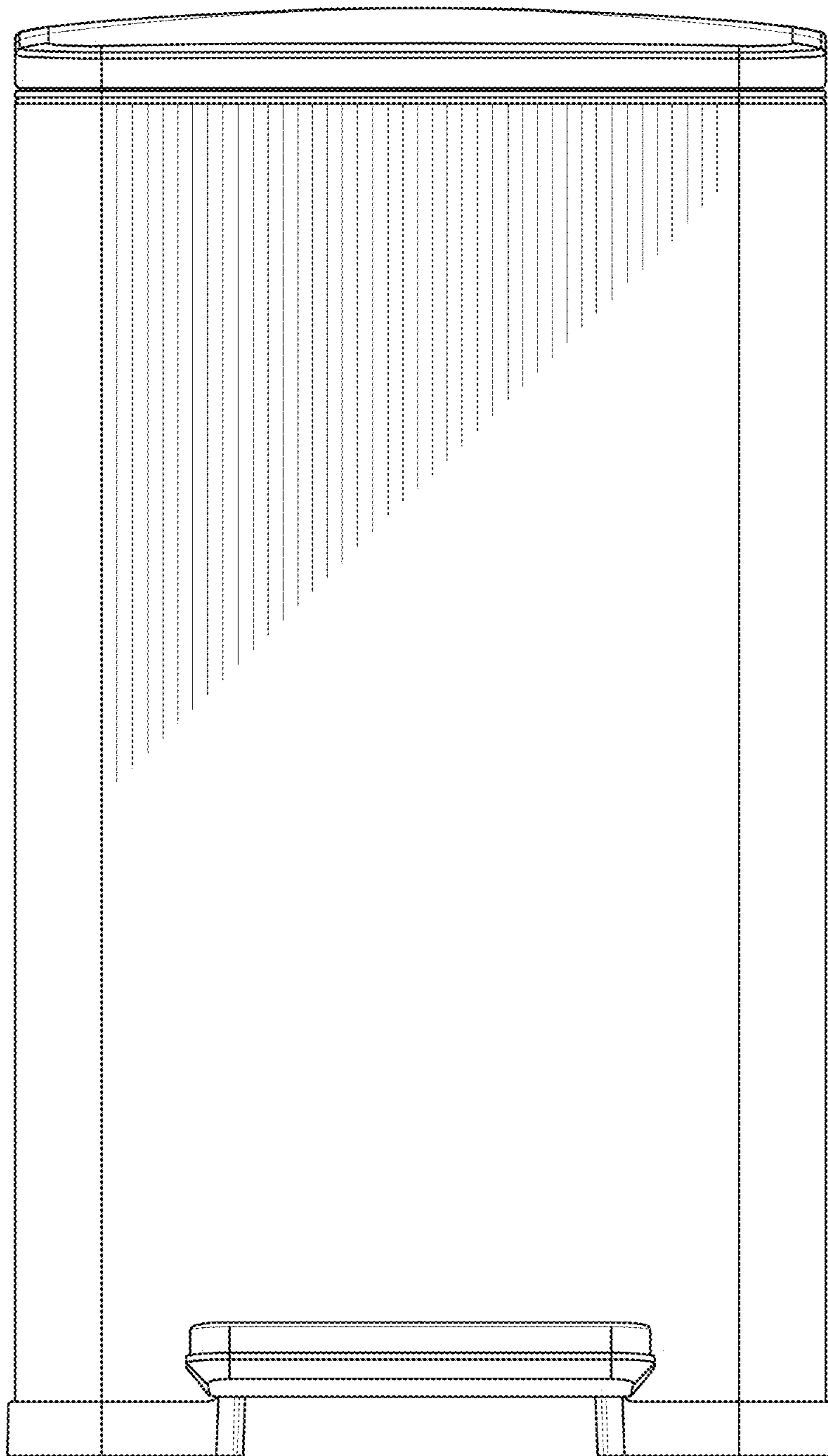


FIG. 1

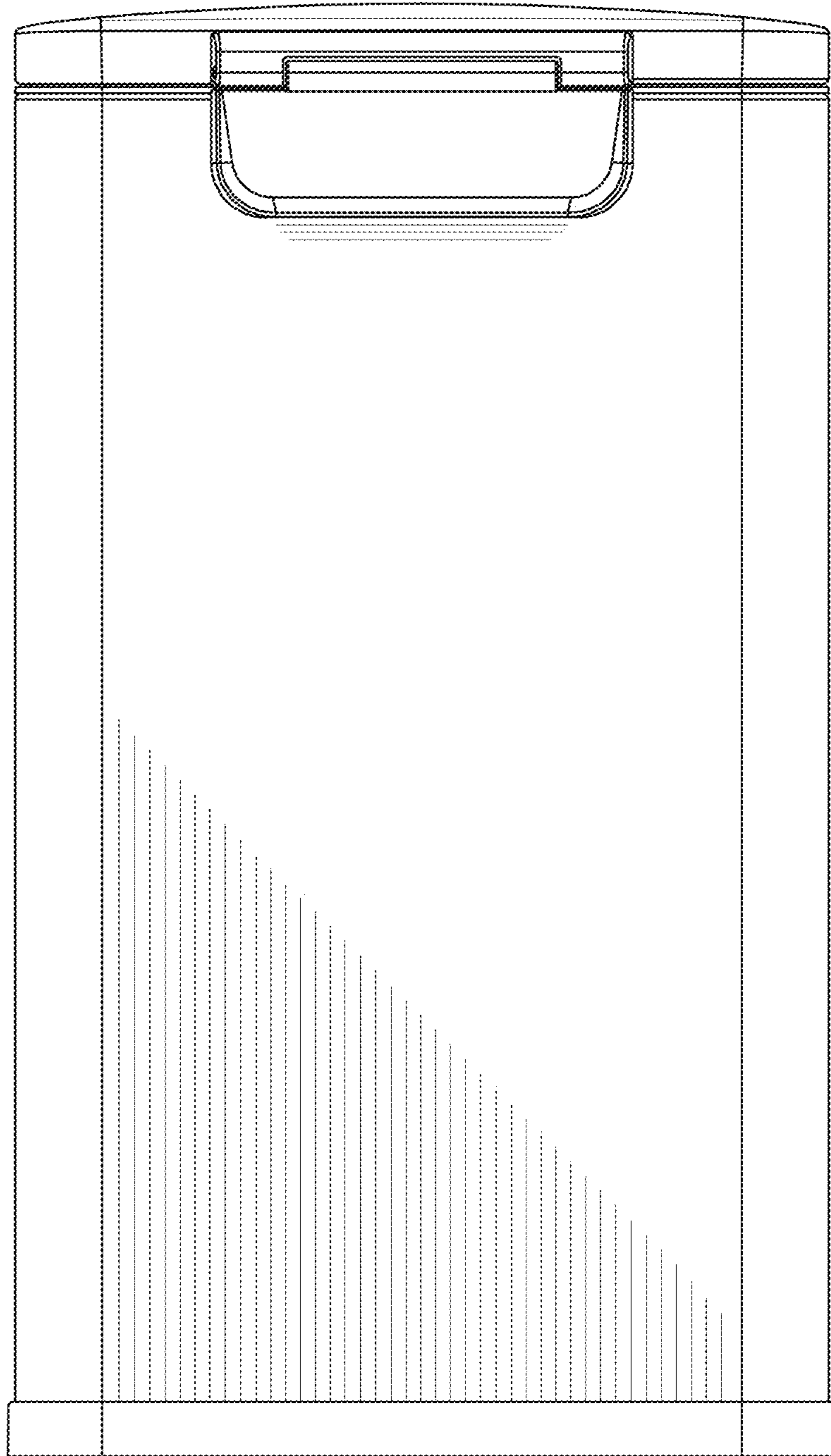


FIG. 2

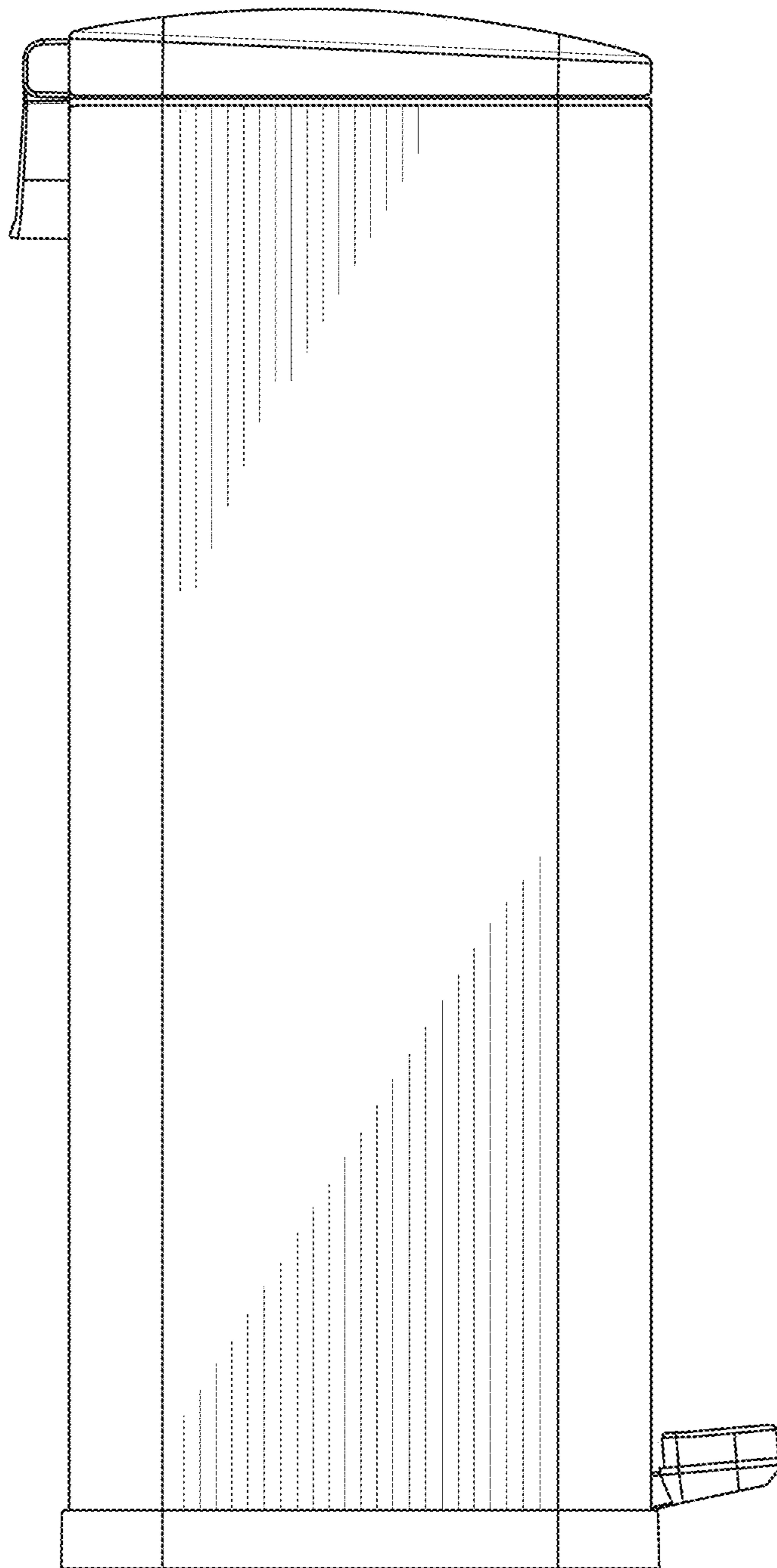


FIG. 3

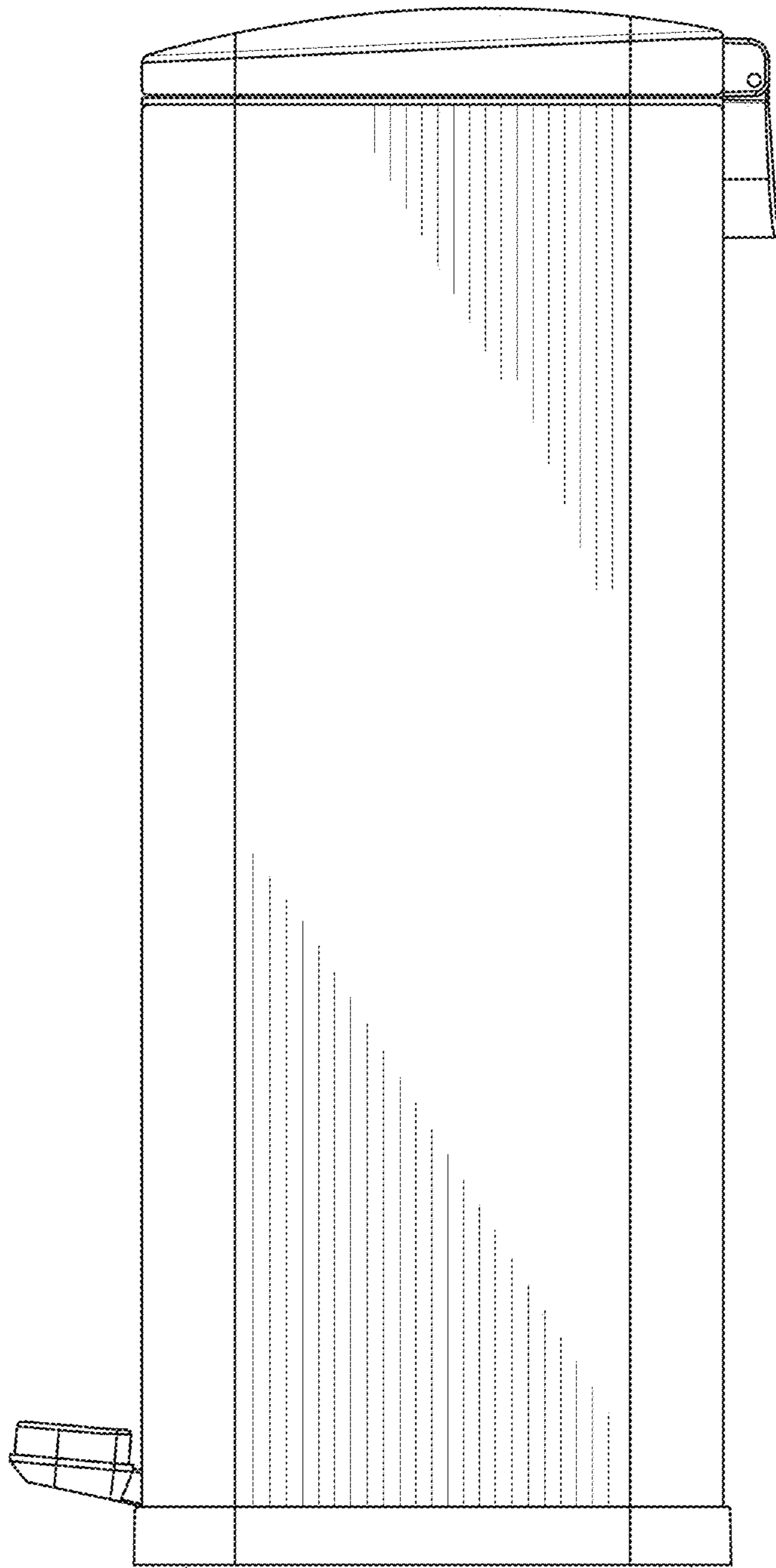


FIG. 4

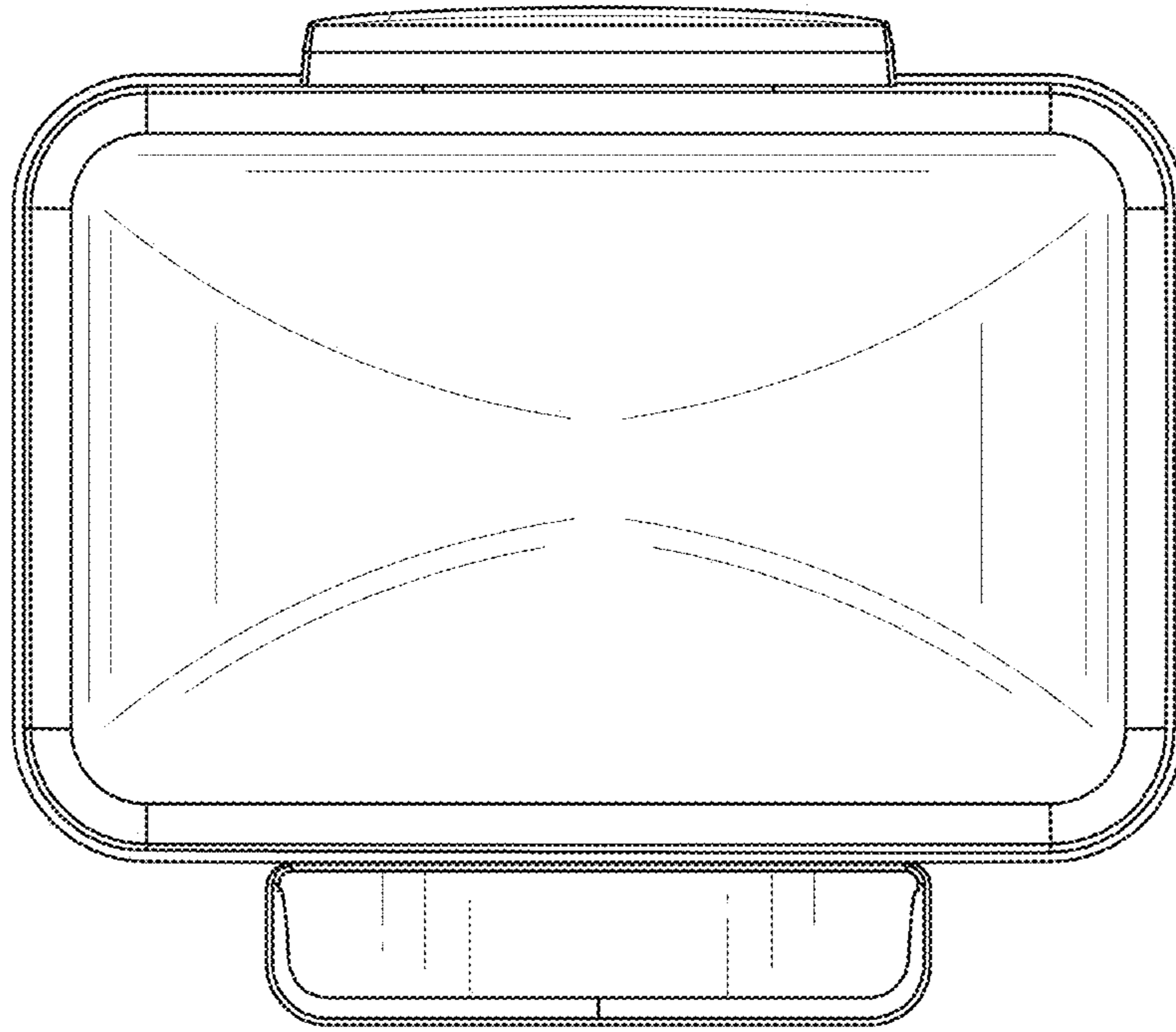


FIG. 5

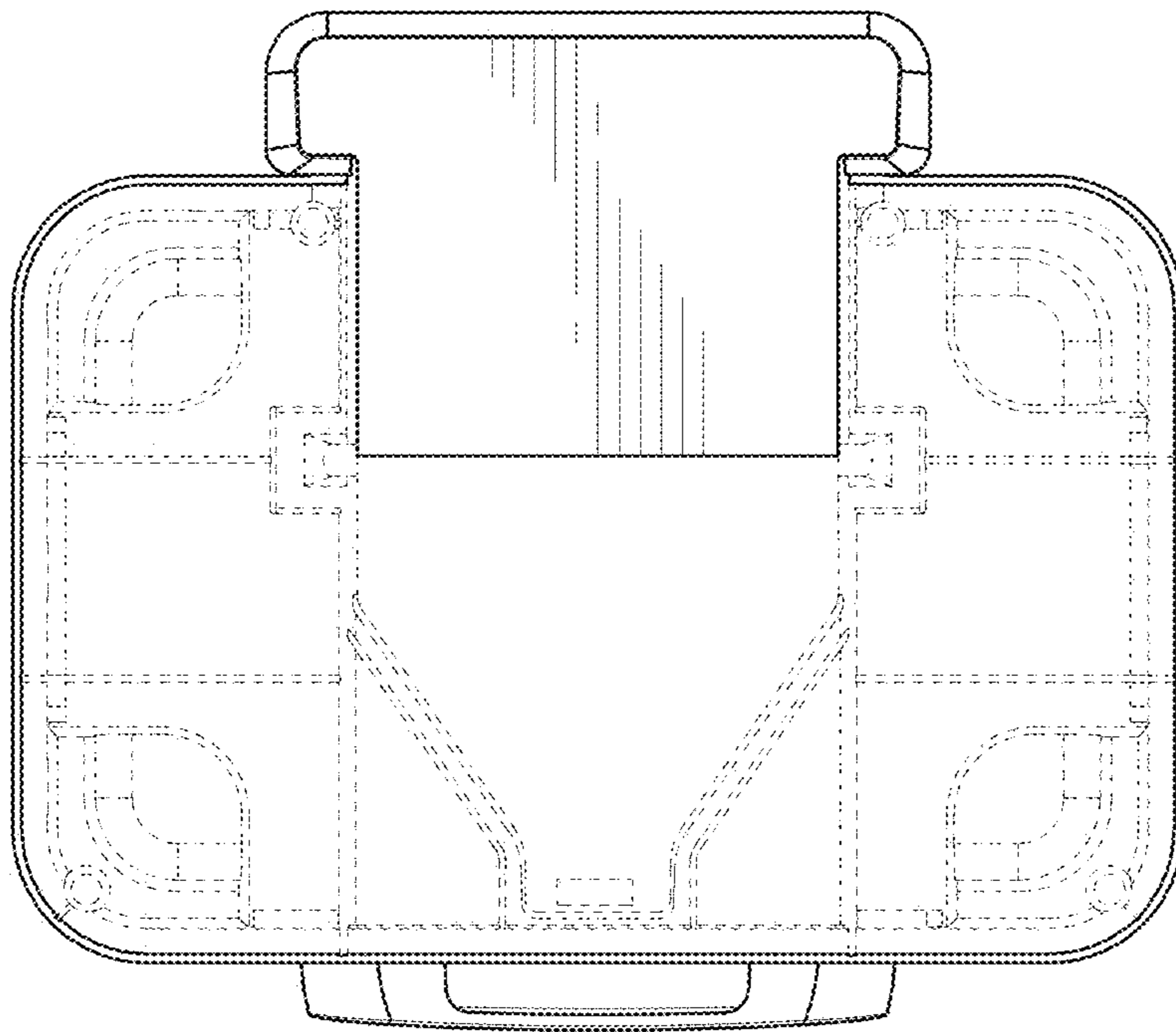


FIG. 6

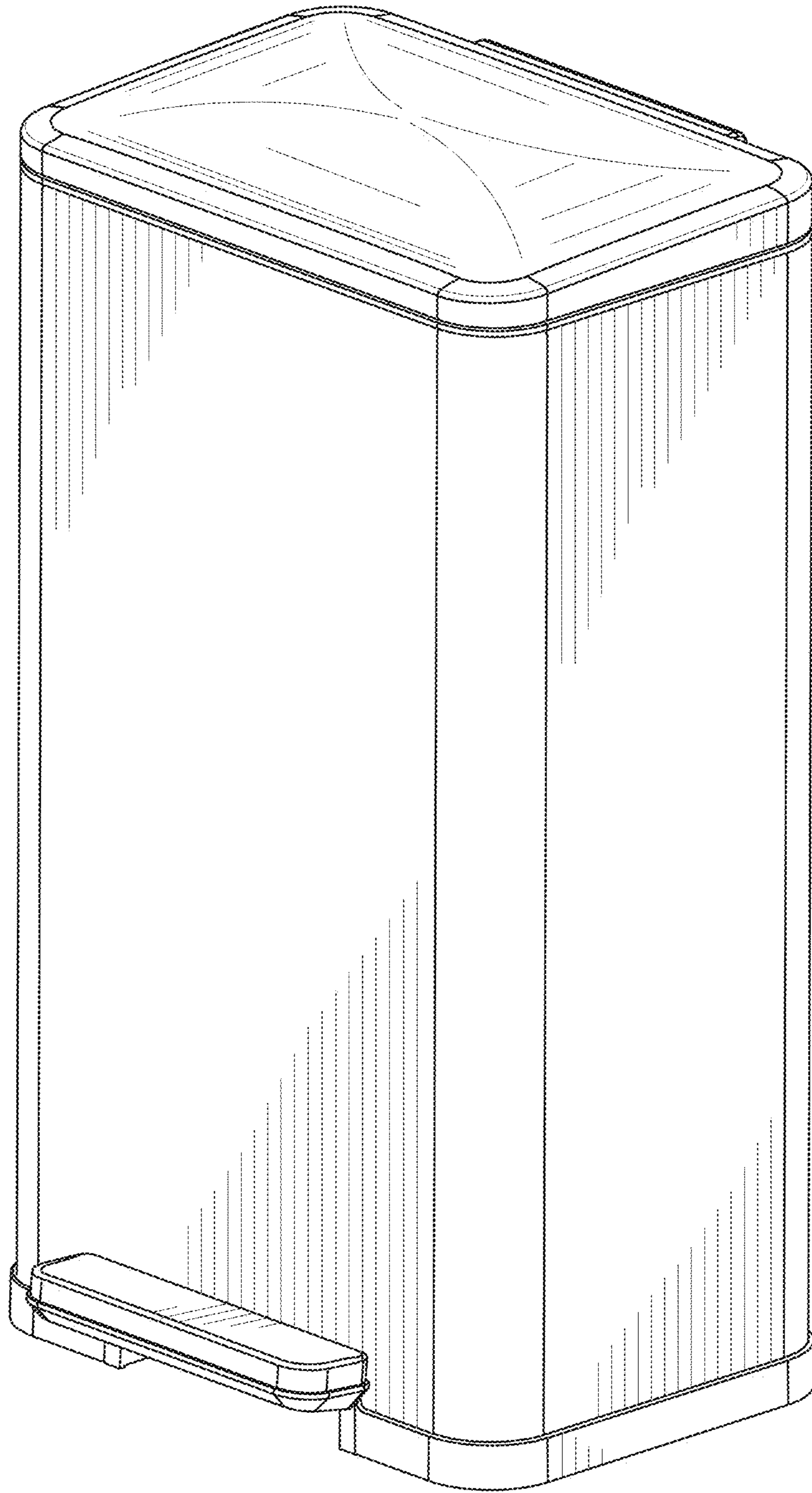


FIG. 7

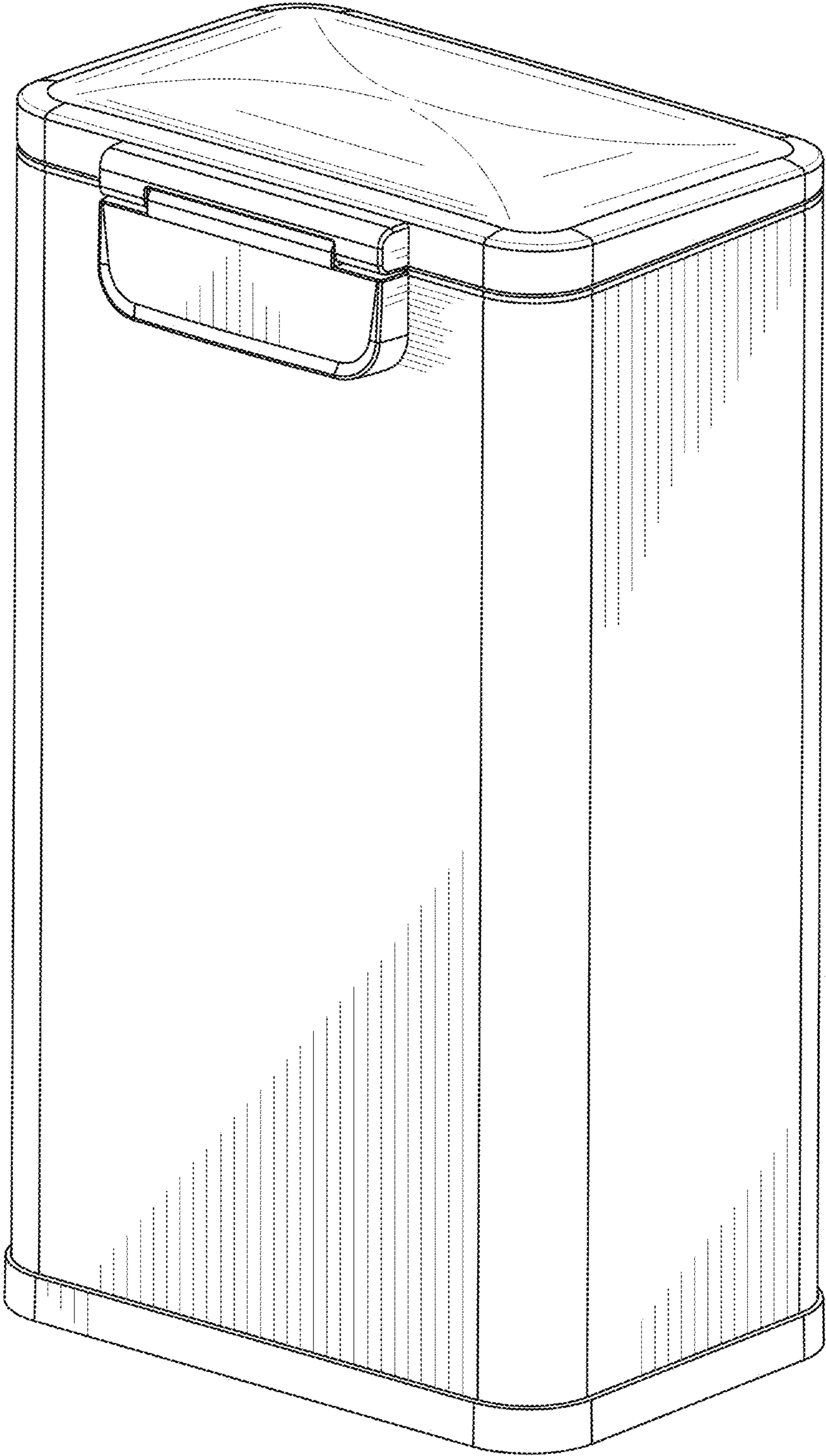


FIG. 8

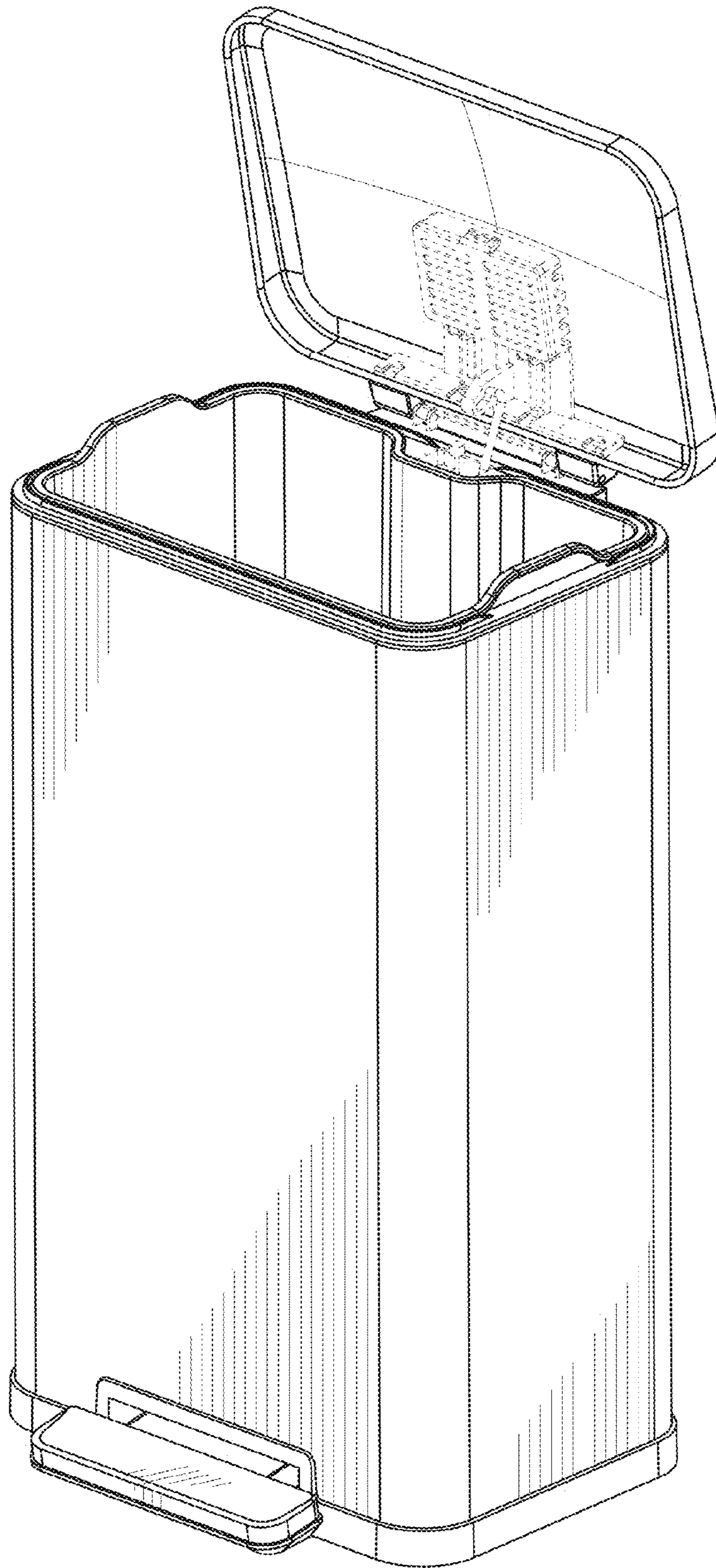


FIG. 9

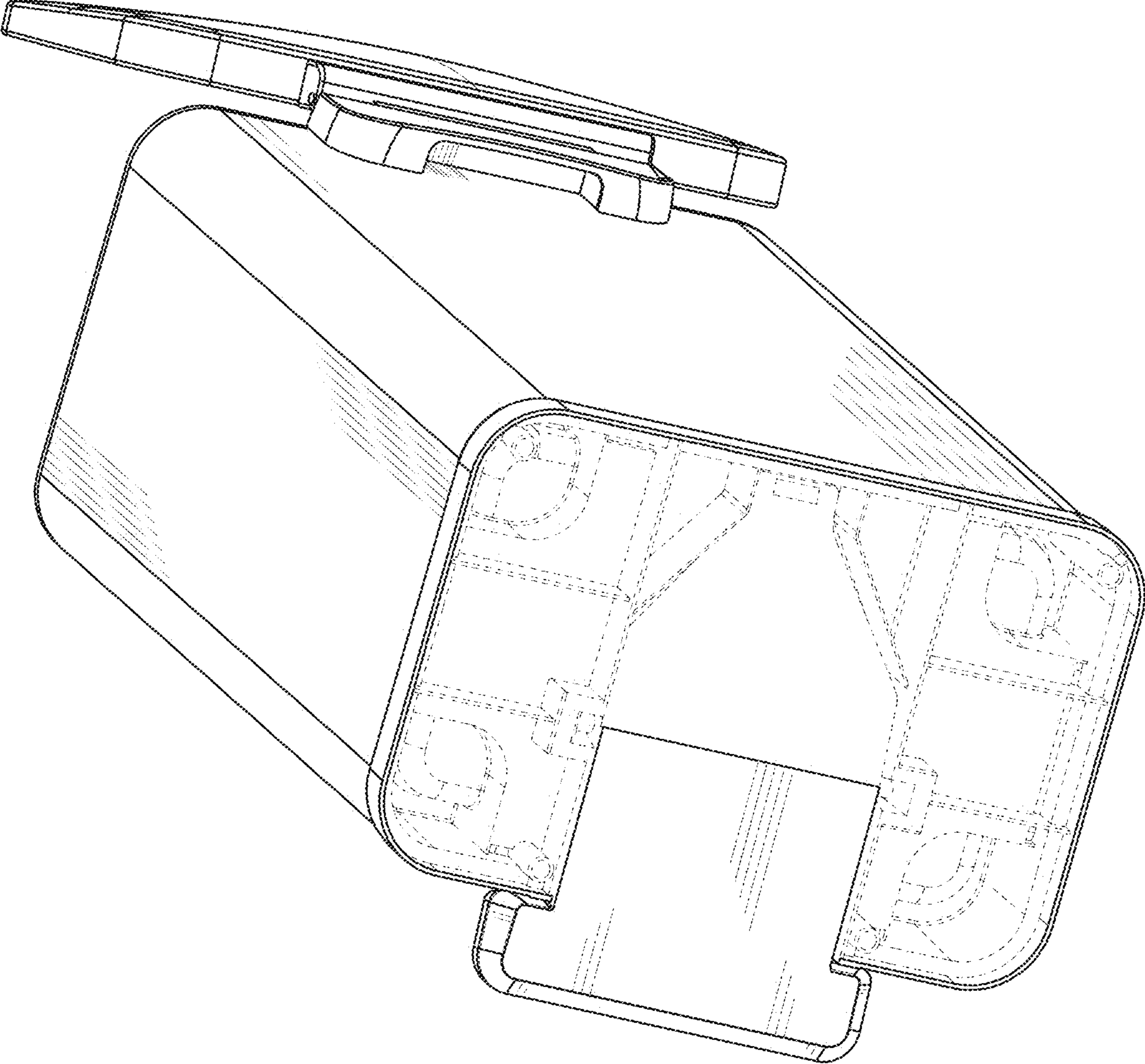


FIG. 10