



US00D906616S

(12) **United States Design Patent** (10) **Patent No.:** **US D906,616 S**
Li (45) **Date of Patent:** **** Dec. 29, 2020**

(54) **CUP DRYING STANDER**

(71) Applicant: **Tongda Li**, Hebei (CN)

(72) Inventor: **Tongda Li**, Hebei (CN)

(**) Term: **15 Years**

(21) Appl. No.: **29/746,236**

(22) Filed: **Aug. 12, 2020**

(51) **LOC (12) Cl.** **07-05**

(52) **U.S. Cl.**
USPC **D32/58**

(58) **Field of Classification Search**
USPC D32/55, 276, 3, 58; D6/510, 525;
211/41.5, 41.4, 41.3, 41.8, 195, 200;
361/679.4; 312/311, 333, 334.4;
D7/354, 629, 368
CPC .. F26B 25/18; F26B 9/003; A61L 9/20; A47F
3/08; A47B 43/00; D06F 57/12
See application file for complete search history.

(56) **References Cited**

U.S. PATENT DOCUMENTS

D544,164 S *	6/2007	Hinkens	D32/58
D545,021 S *	6/2007	Verbeek	D32/58
D545,520 S *	6/2007	Oberdorf	D32/58
D641,528 S *	7/2011	Wai	D32/58
D665,549 S *	8/2012	Kropf	D32/58
D683,096 S *	5/2013	Stumpo	D32/58
D691,775 S *	10/2013	Williams	D32/58
D739,628 S *	9/2015	Ouyang	D32/58
D741,563 S *	10/2015	Ouyang	D32/58
D762,338 S *	7/2016	Ouyang	D32/58

D766,531 S *	9/2016	Verdoia	D32/58
D790,143 S *	6/2017	Kelly	D32/58
D799,909 S	10/2017	Partridge	
D808,606 S *	1/2018	Greenspon	D32/58
D869,910 S	12/2019	Ye	

* cited by examiner

Primary Examiner — Austin Murphy

(74) *Attorney, Agent, or Firm* — ScienBiziP, P.C.

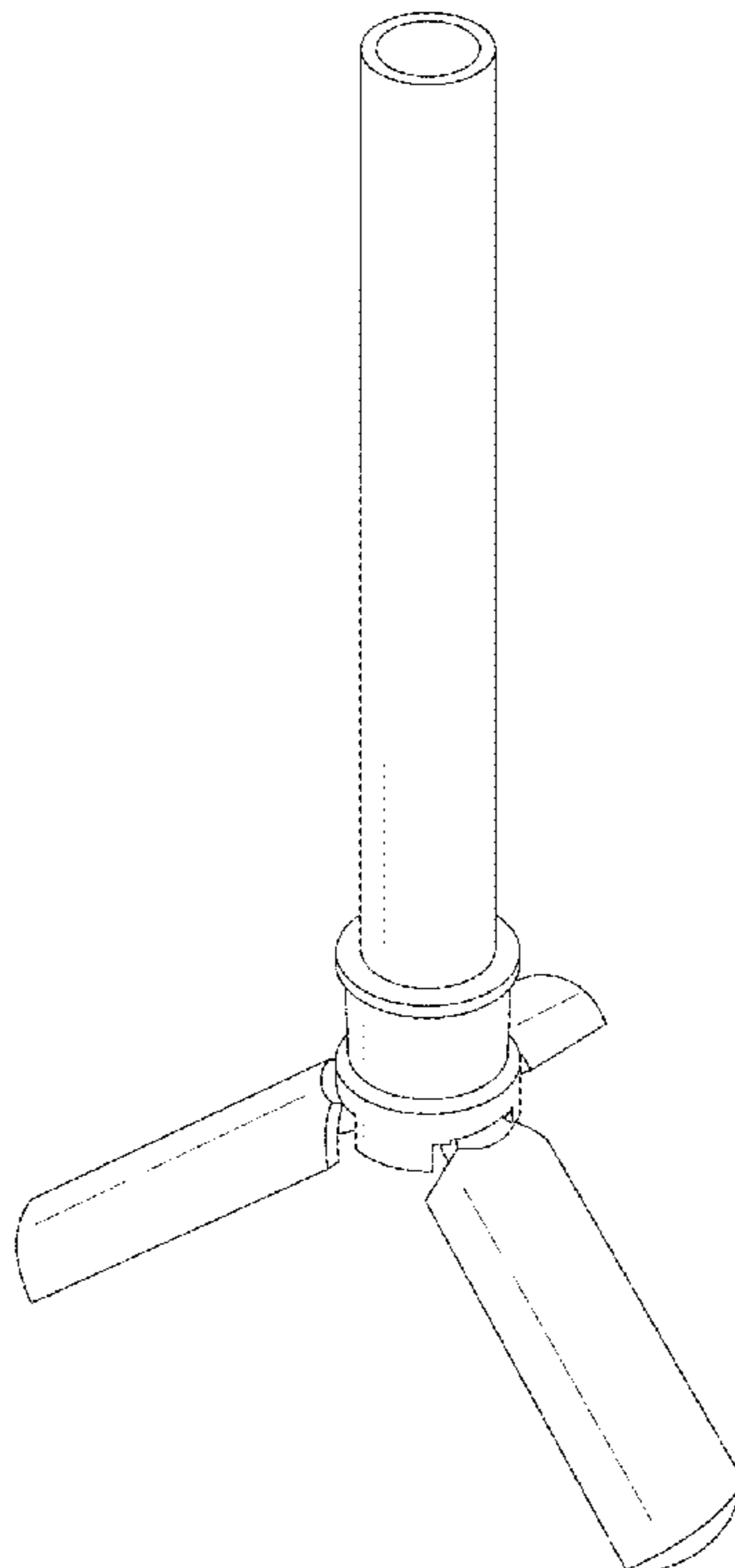
(57) **CLAIM**

The ornamental design for a cup drying stander, as shown and described.

DESCRIPTION

FIG. 1 is a front perspective view of a cup drying stander, showing my design.
 FIG. 2 is a front elevation view thereof.
 FIG. 3 is a rear elevation view thereof.
 FIG. 4 is a left side elevation view thereof.
 FIG. 5 is a right side elevation view thereof.
 FIG. 6 is a top plan view thereof.
 FIG. 7 is a bottom plan view thereof.
 FIG. 8 is a perspective view of the cup drying stander of FIG. 1 wherein a pole of the cup drying stander is separated from a base of the cup drying stander.
 FIG. 9 is a perspective view of the cup drying stander folded up; and,
 FIG. 10 is a perspective view in USE stage thereof, showing a cup hanging on the cup drying stander of FIG. 1.
 The broken lines in the drawings depict environmental structure and boundaries and form no part of the claimed design.

1 Claim, 10 Drawing Sheets



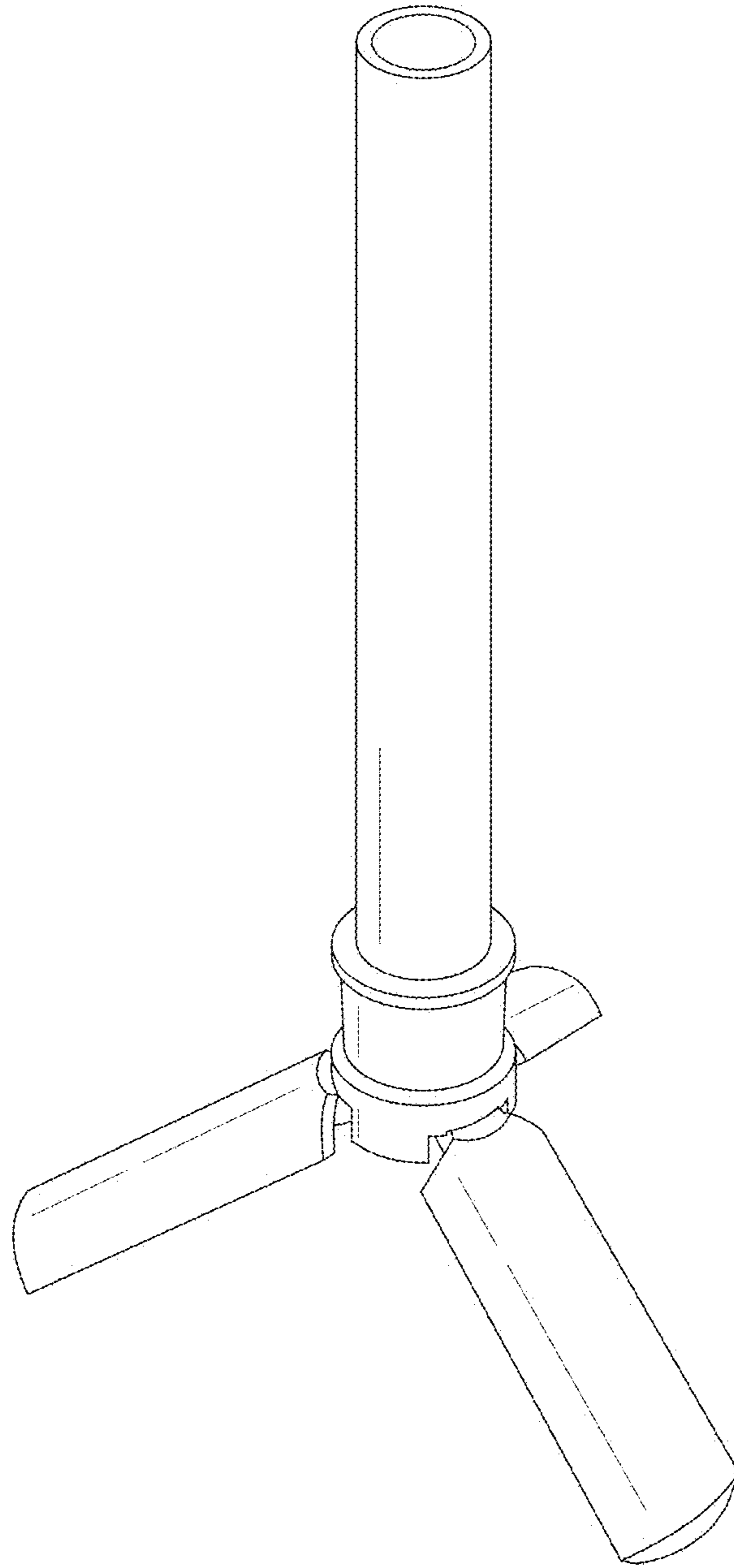


FIG. 1

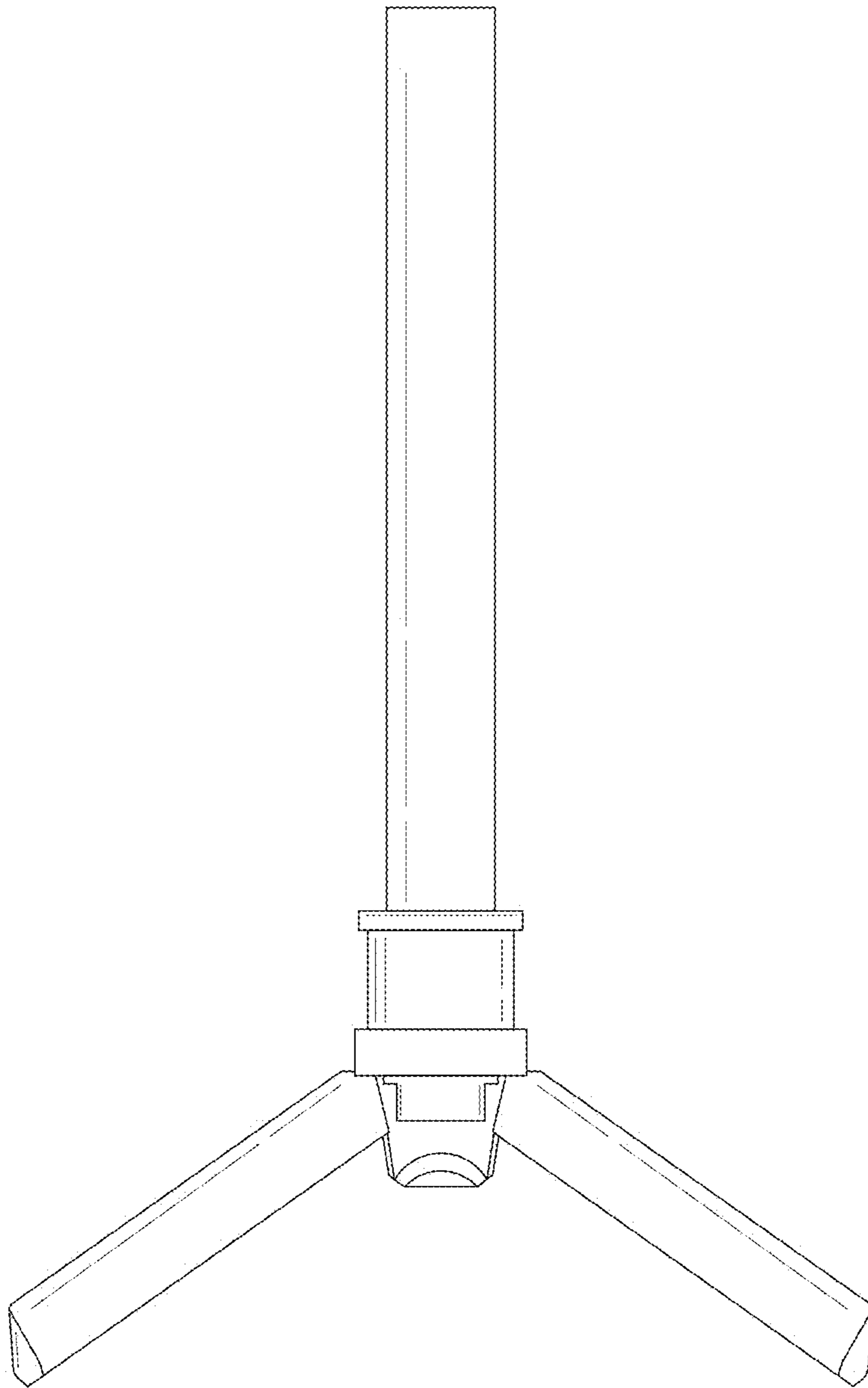


FIG.2

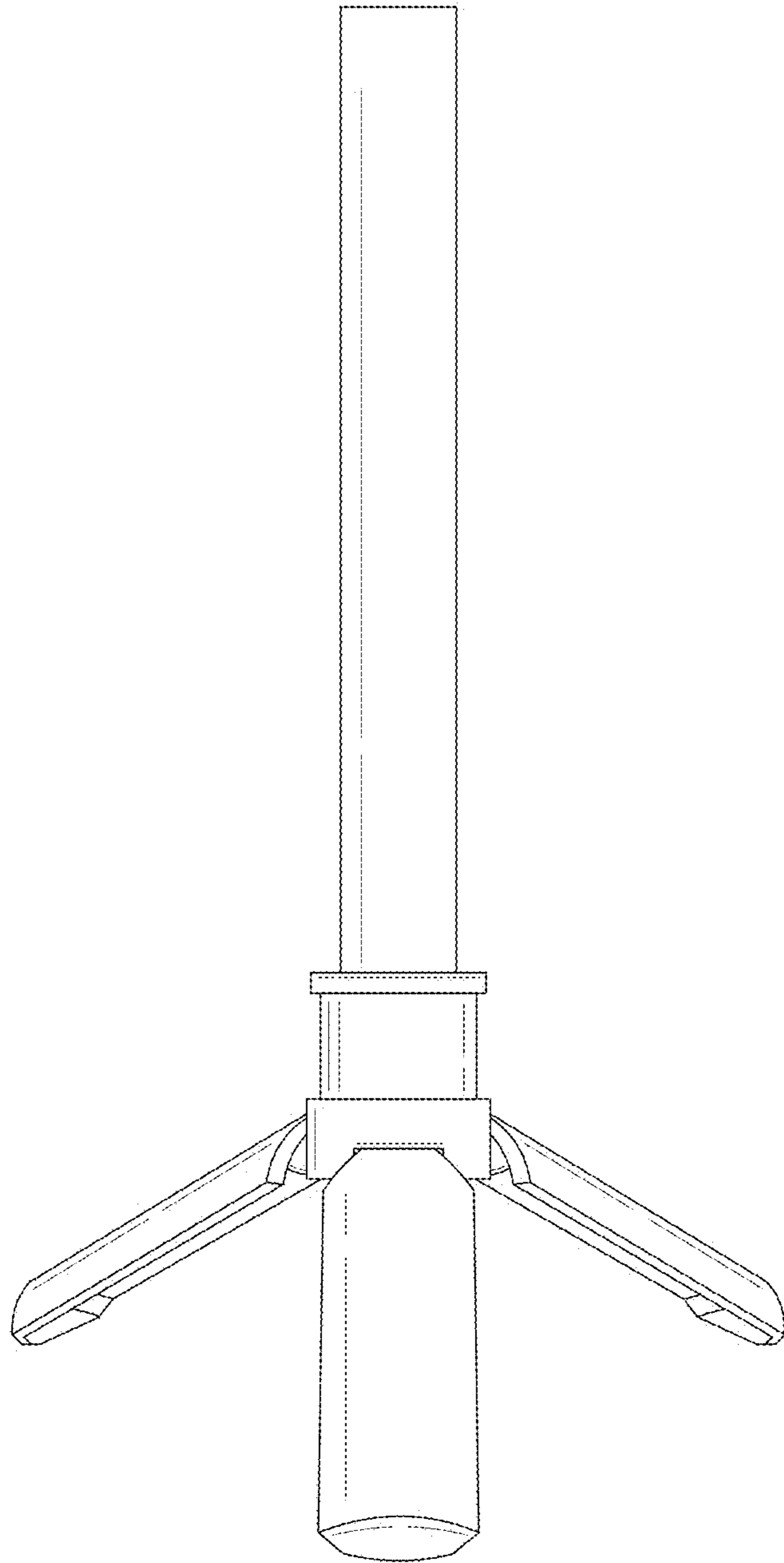


FIG.3

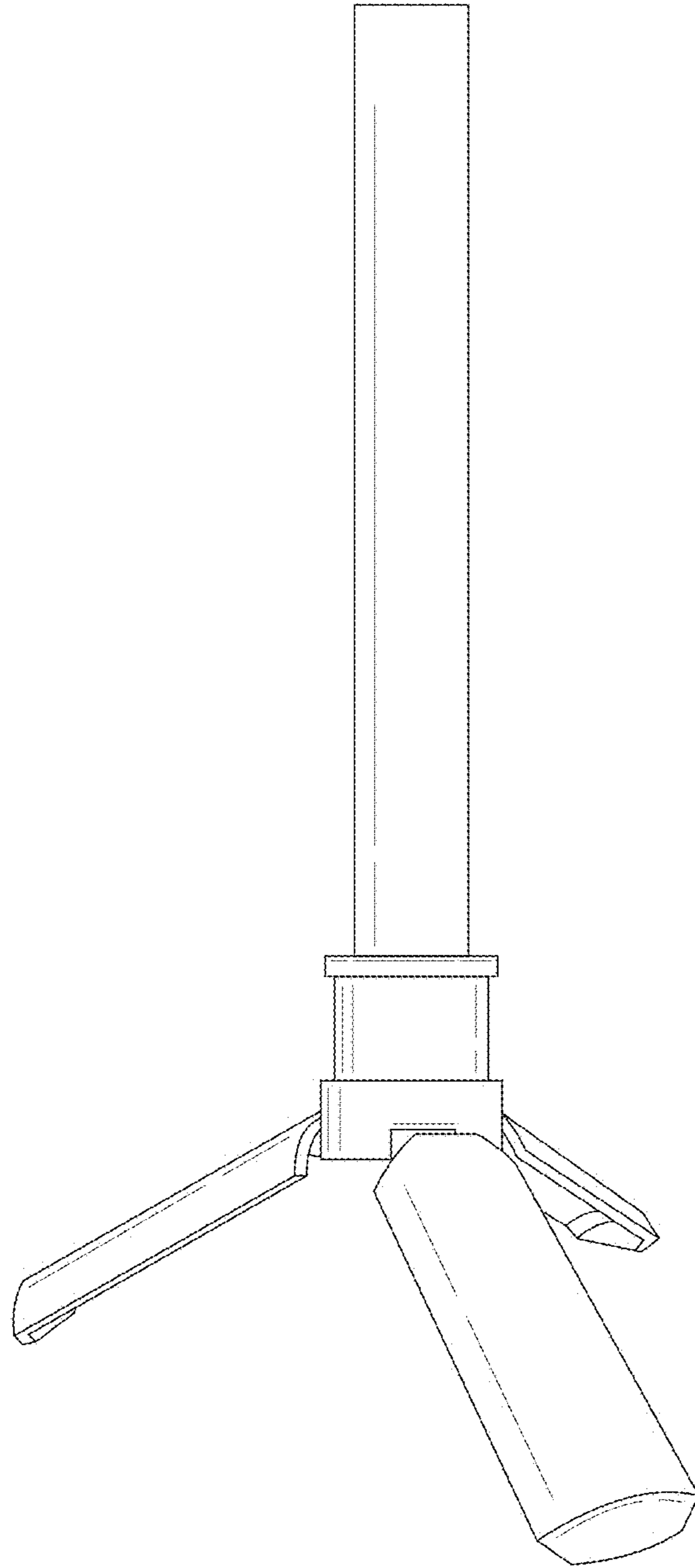


FIG.4

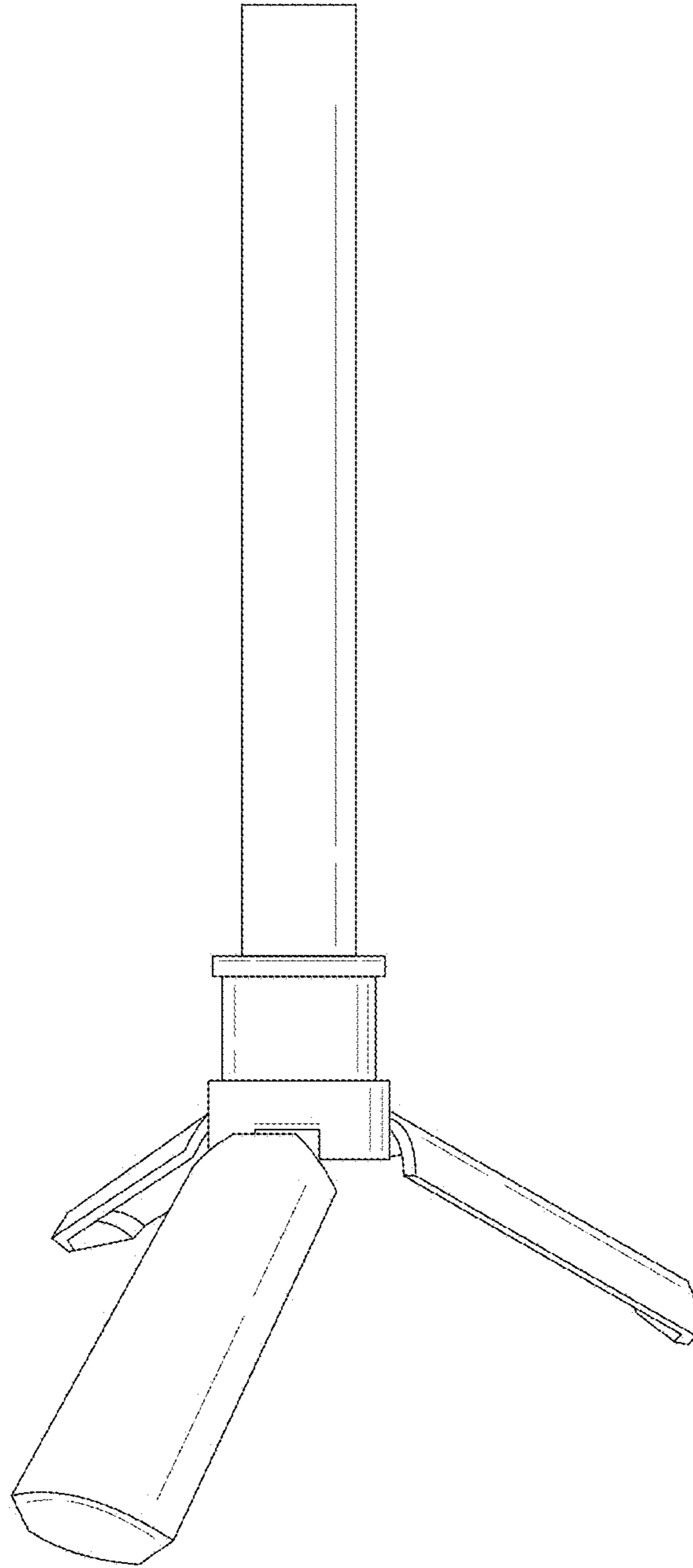


FIG.5

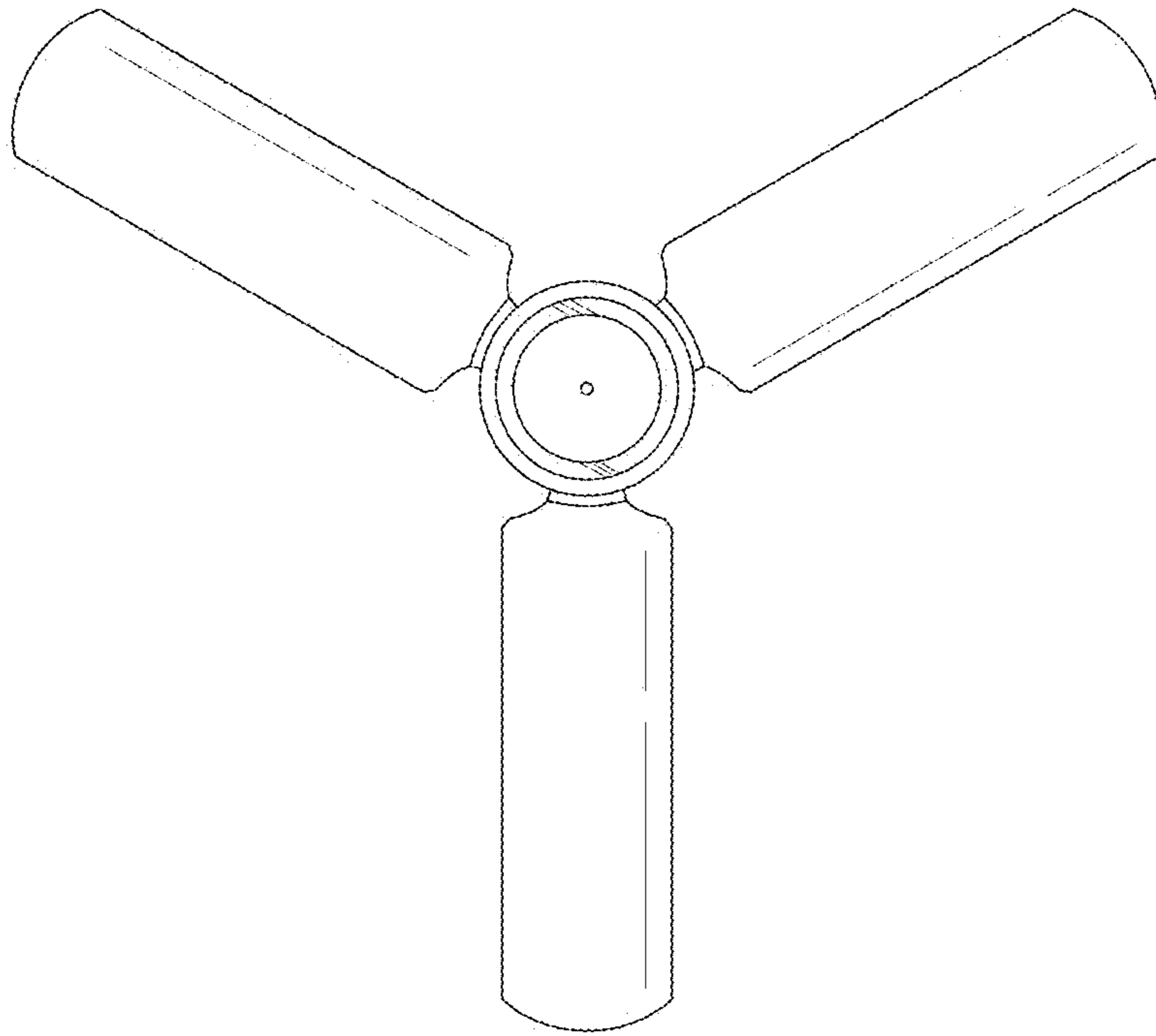


FIG.6

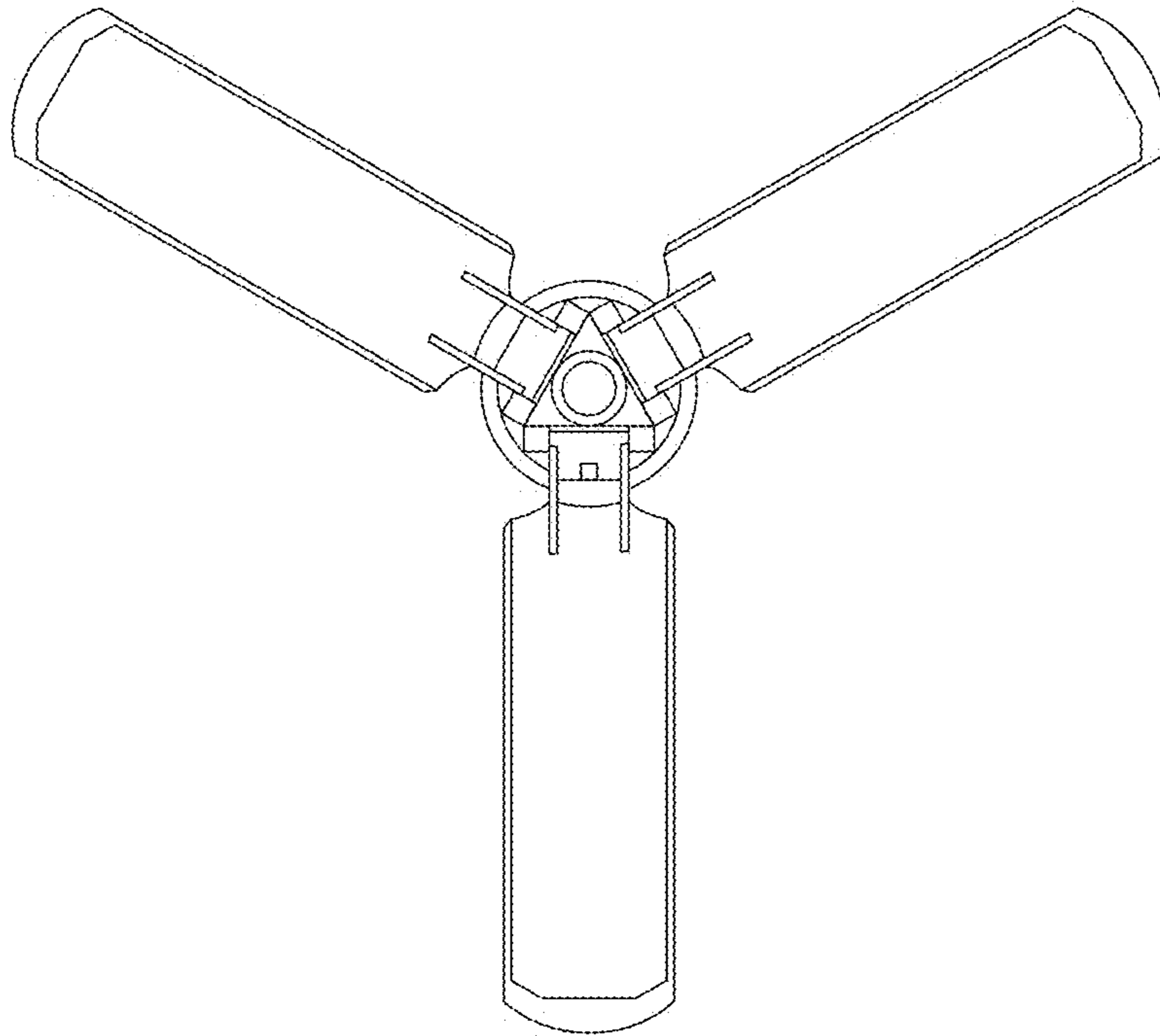


FIG.7

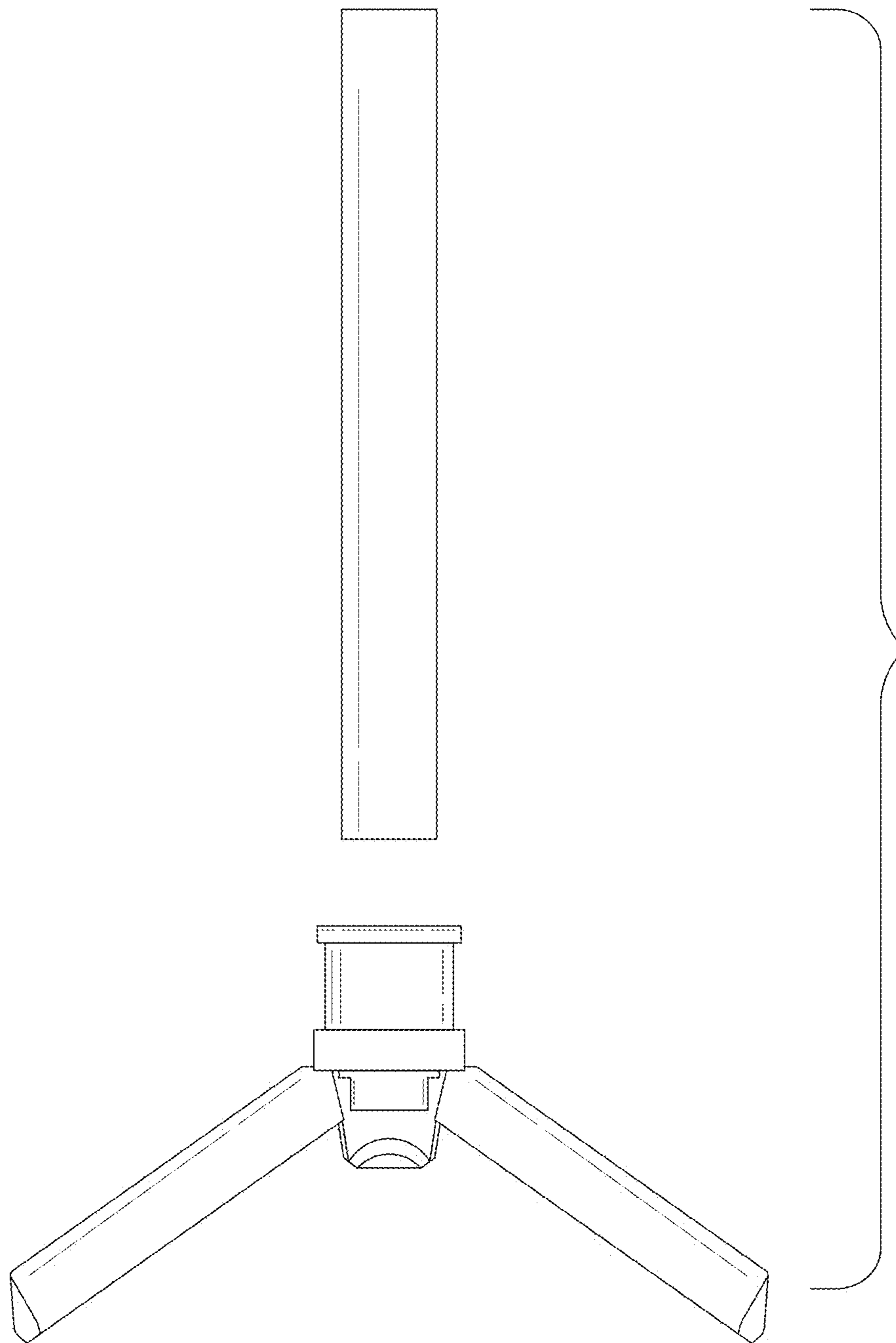


FIG.8

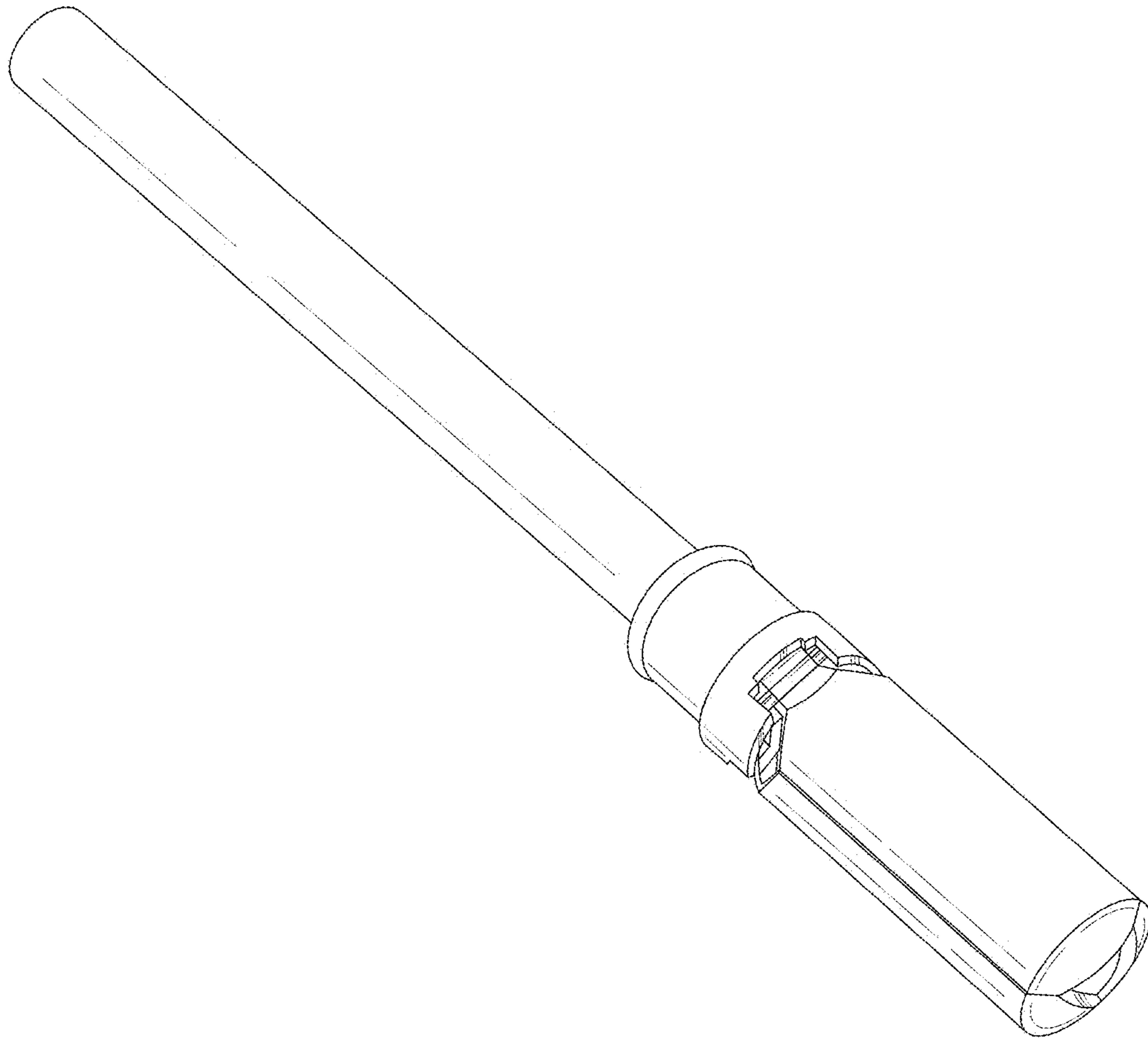


FIG. 9

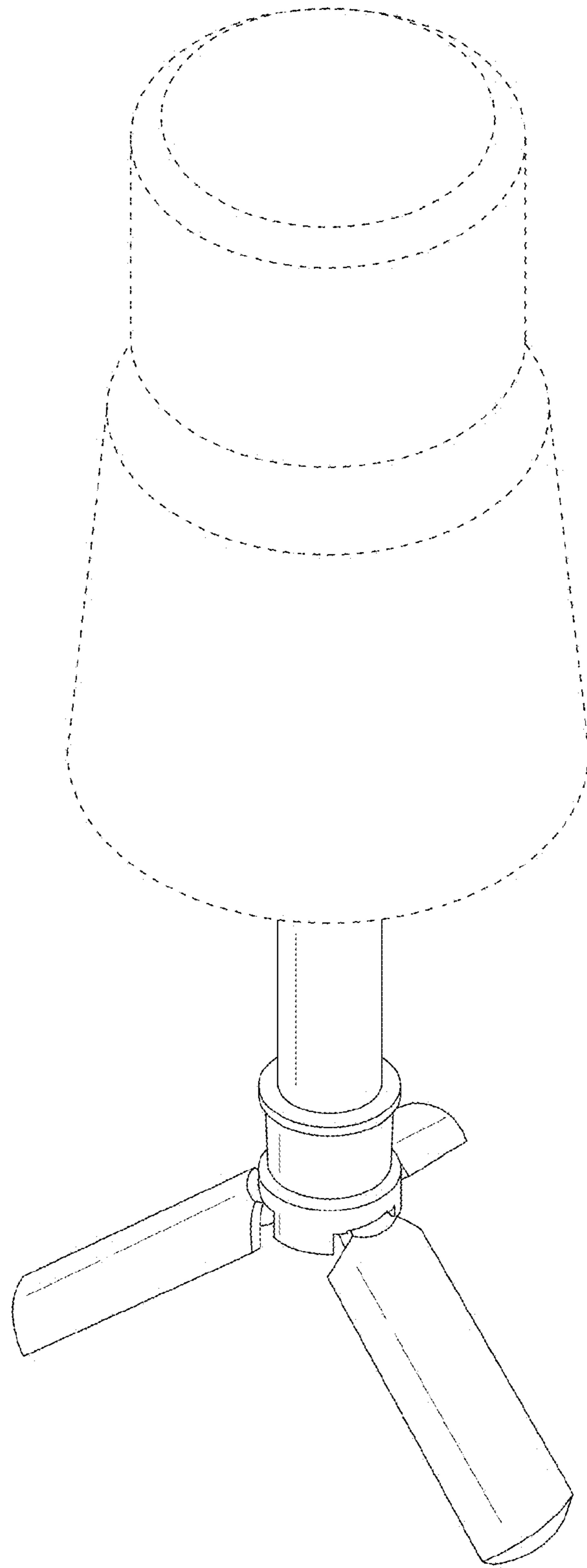


FIG.10