



US00D906615S

(12) **United States Design Patent**  
**Klingel**

(10) **Patent No.:** **US D906,615 S**

(45) **Date of Patent:** **\*\* Dec. 29, 2020**

(54) **SCRAPER FOR DISHES**

(71) Applicant: **Samuel Klingel**, Fairbanks, AK (US)

(72) Inventor: **Samuel Klingel**, Fairbanks, AK (US)

(\*\*) Term: **15 Years**

(21) Appl. No.: **29/637,462**

(22) Filed: **Feb. 19, 2018**

(51) **LOC (12) Cl.** ..... **07-05**

(52) **U.S. Cl.**  
USPC ..... **D32/46**

(58) **Field of Classification Search**  
USPC ..... D32/40-43, 46; D8/45; D18/56  
CPC ..... A47L 13/12; A47L 13/34; A47L 13/10;  
A46B 7/00; A46B 5/00  
See application file for complete search history.

(56) **References Cited**

**U.S. PATENT DOCUMENTS**

D32,484 S *	4/1900	Bowles	.....	D32/46
D117,388 S *	10/1939	Woinarovicz	.....	D32/46
D218,068 S *	7/1970	Psalides	.....	D32/46
D274,567 S *	7/1984	Levy	.....	D32/48
D313,682 S *	1/1991	Martin	.....	D32/40
D320,483 S *	10/1991	Desautel	.....	15/236.05
D338,817 S *	8/1993	Fennessy, Sr.	.....	D8/45
D352,432 S *	11/1994	Monroe	.....	D32/41
D357,563 S *	4/1995	Vosbikian	.....	D32/41
D360,506 S *	7/1995	McPherson	.....	D32/46
D368,344 S *	3/1996	Hansen	.....	D32/41
D389,619 S *	1/1998	McLeod	.....	D32/35
D422,124 S *	3/2000	Rimback	.....	D32/41
D532,741 S *	11/2006	Lin	.....	D12/220
D569,566 S *	5/2008	Pfitzinger	.....	D32/46
D702,408 S *	4/2014	Henke	.....	D32/46
D763,645 S *	8/2016	Rampling	.....	D8/45
D804,920 S *	12/2017	Valerie, Sr.	.....	D8/14

D816,446 S *	5/2018	Schluter	.....	D8/45
D835,858 S *	12/2018	Tipton	.....	D30/159
D837,464 S *	1/2019	Park	.....	D30/159

**FOREIGN PATENT DOCUMENTS**

GB 2070922 \* 5/1998

**OTHER PUBLICATIONS**

Amazon.com: Nylon Plastic Pot, Pan & Dish Scraper, reviews 2017, <https://www.amazon.com/Plastic-Scraper-MBW-NW-Brands/dp/B019463B74#customerReviews>, site visited Feb. 20, 2019.\*

\* cited by examiner

*Primary Examiner* — John R Yeh

(74) *Attorney, Agent, or Firm* — Michael J. Tavella

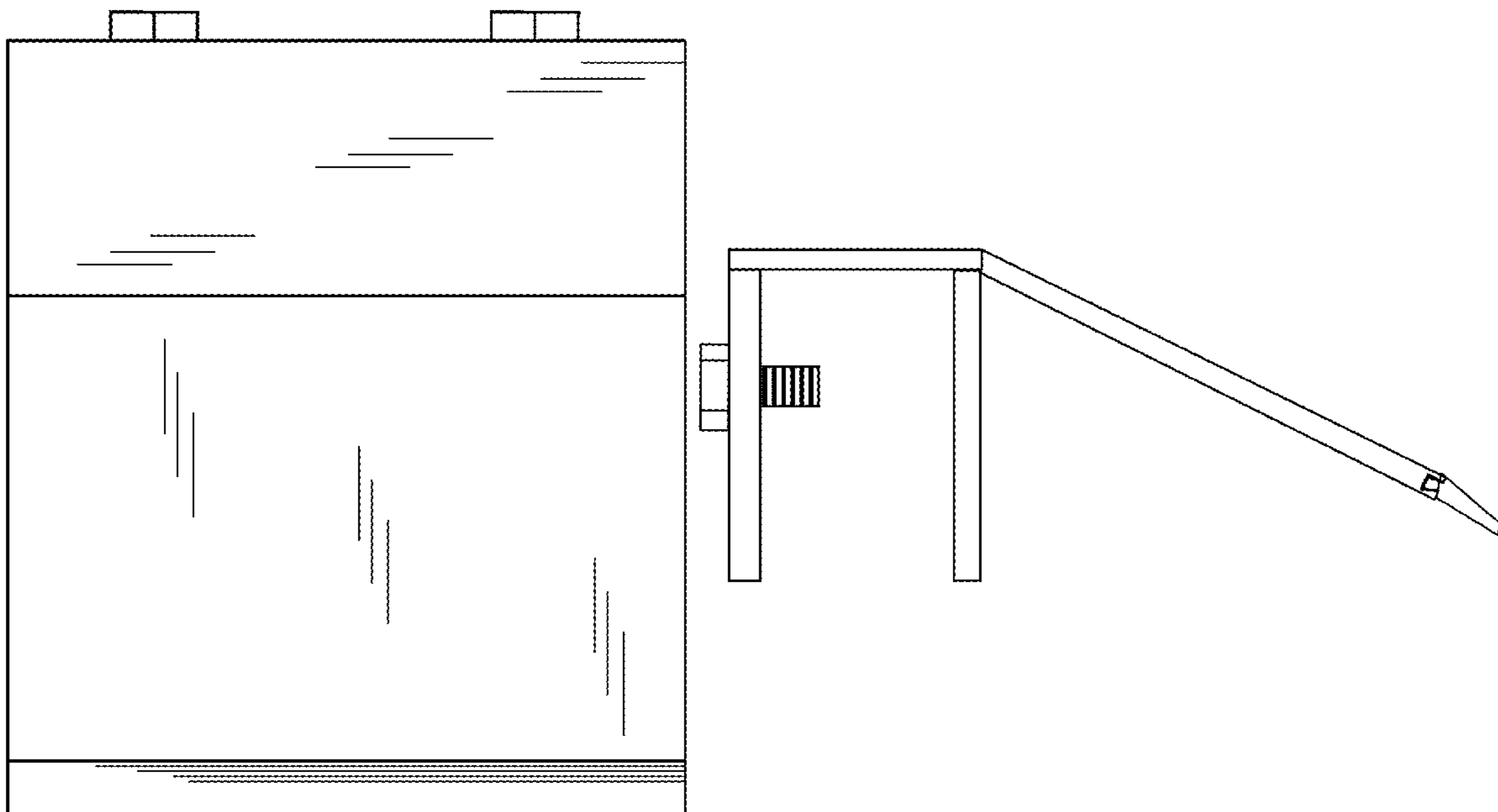
(57) **CLAIM**

The ornamental design for a scraper for dishes, as shown and described.

**DESCRIPTION**

FIG. 1 is a top plan view of my design for a scraper for dishes;  
FIG. 2 is a left side elevation view thereof, the opposite side being a mirror image thereof;  
FIG. 3 is a front elevation view thereof;  
FIG. 4 is a bottom plan view thereof;  
FIG. 5 is a rear elevation view thereof;  
FIG. 6 is a top plan view showing my design mounted on a trashcan; and,  
FIG. 7 is a side elevation view showing my design mounted on the sidewall of a trashcan and a dish pulled upwardly against the scraper.  
The broken lines in FIGS. 6 and 7 depict environment of the scraper for dishes and form no part of the claimed design.

**1 Claim, 7 Drawing Sheets**



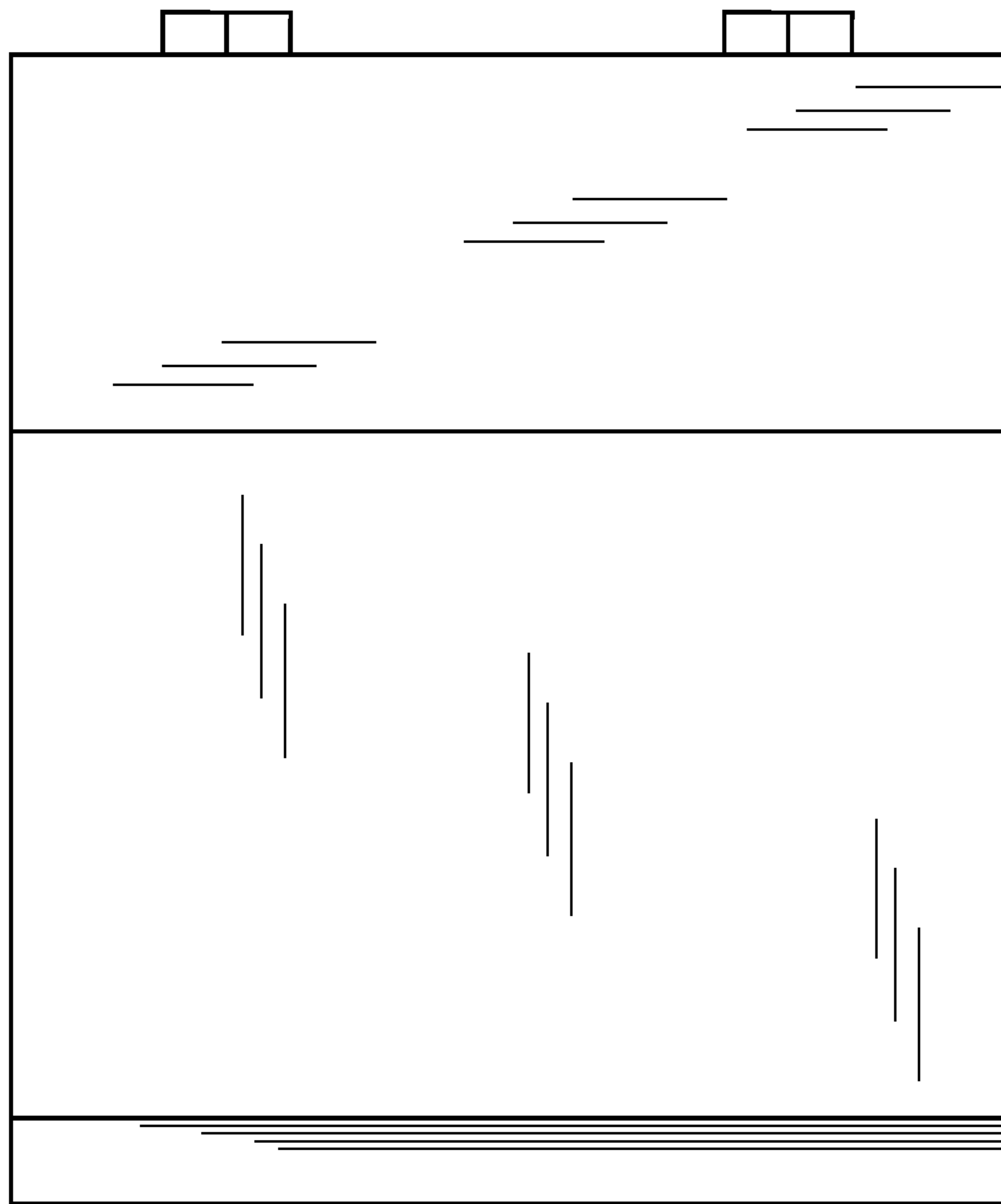


Figure 1

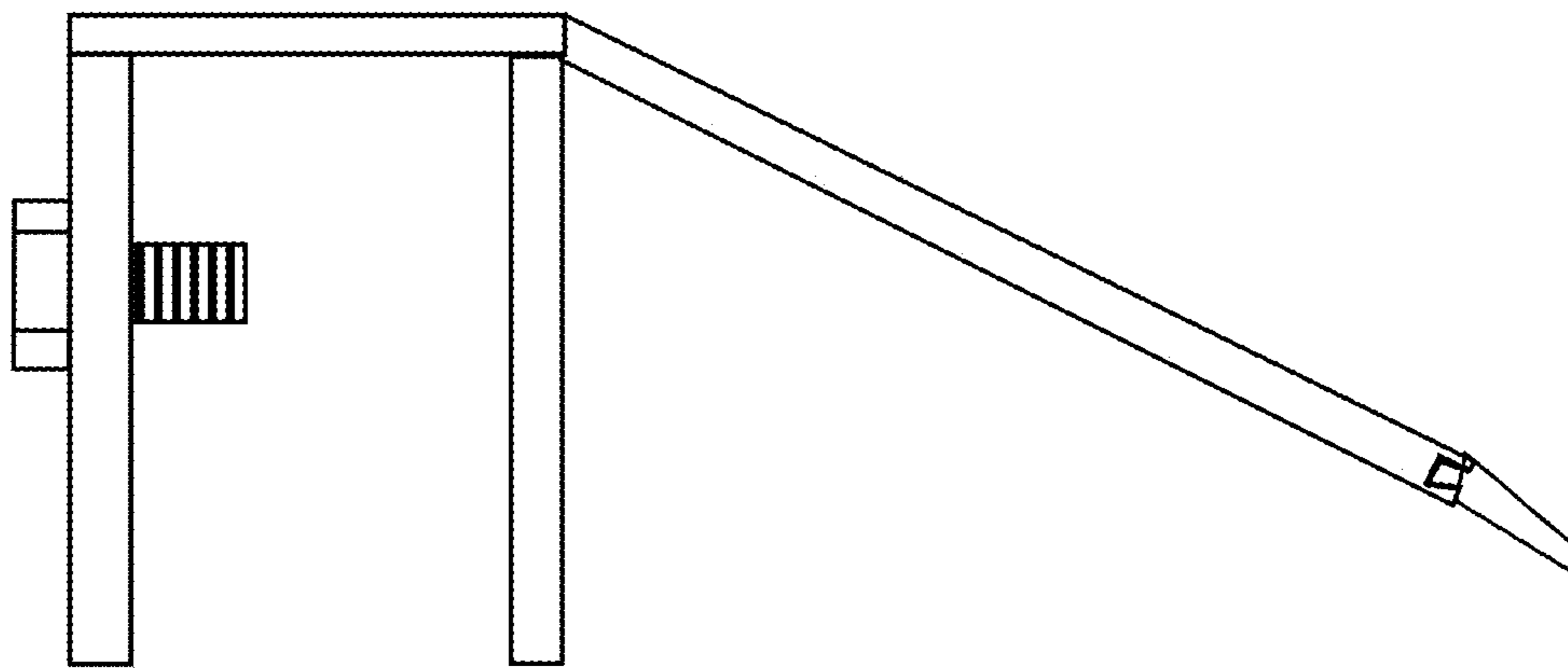


Figure 2

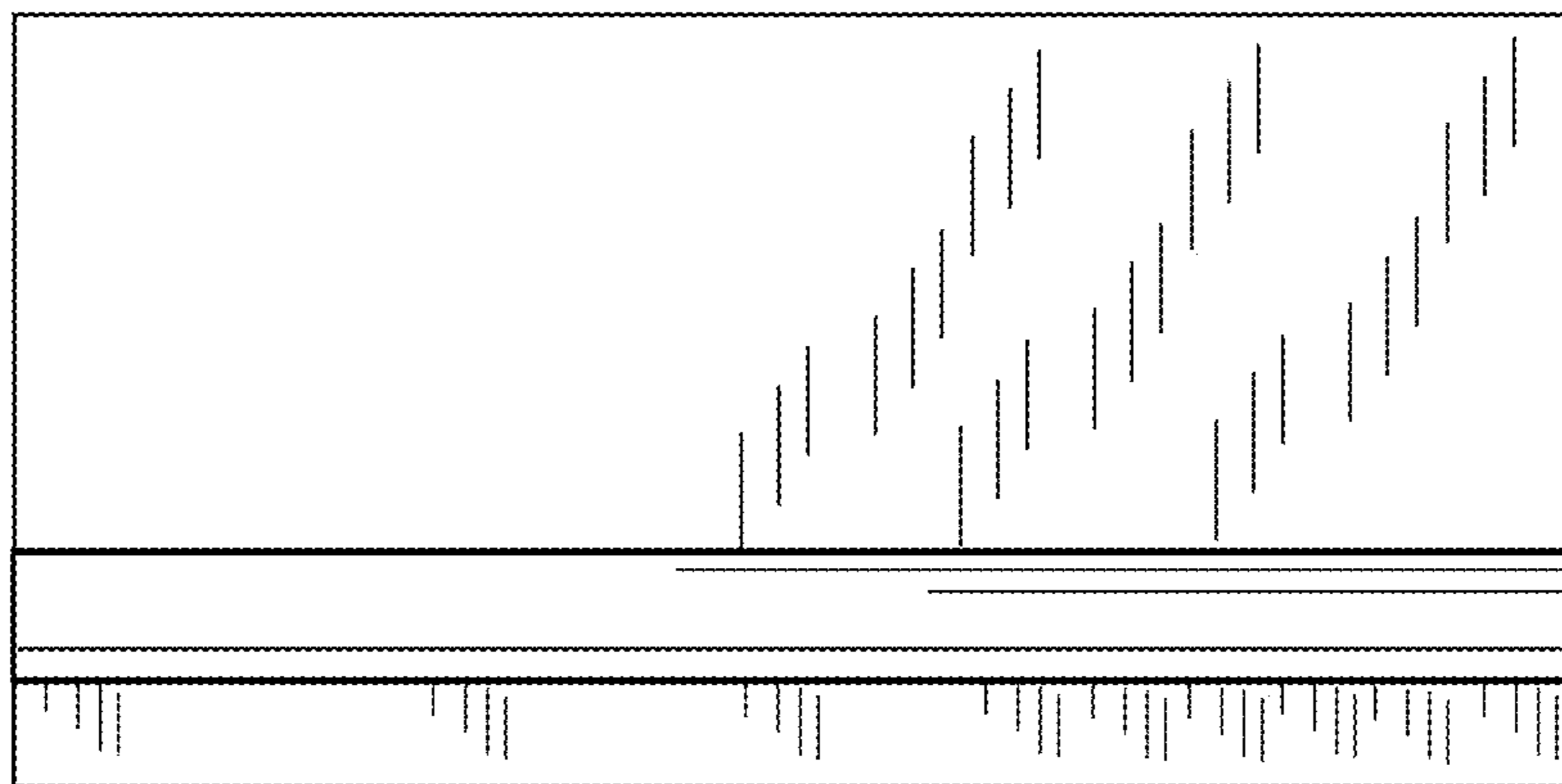


Figure 3

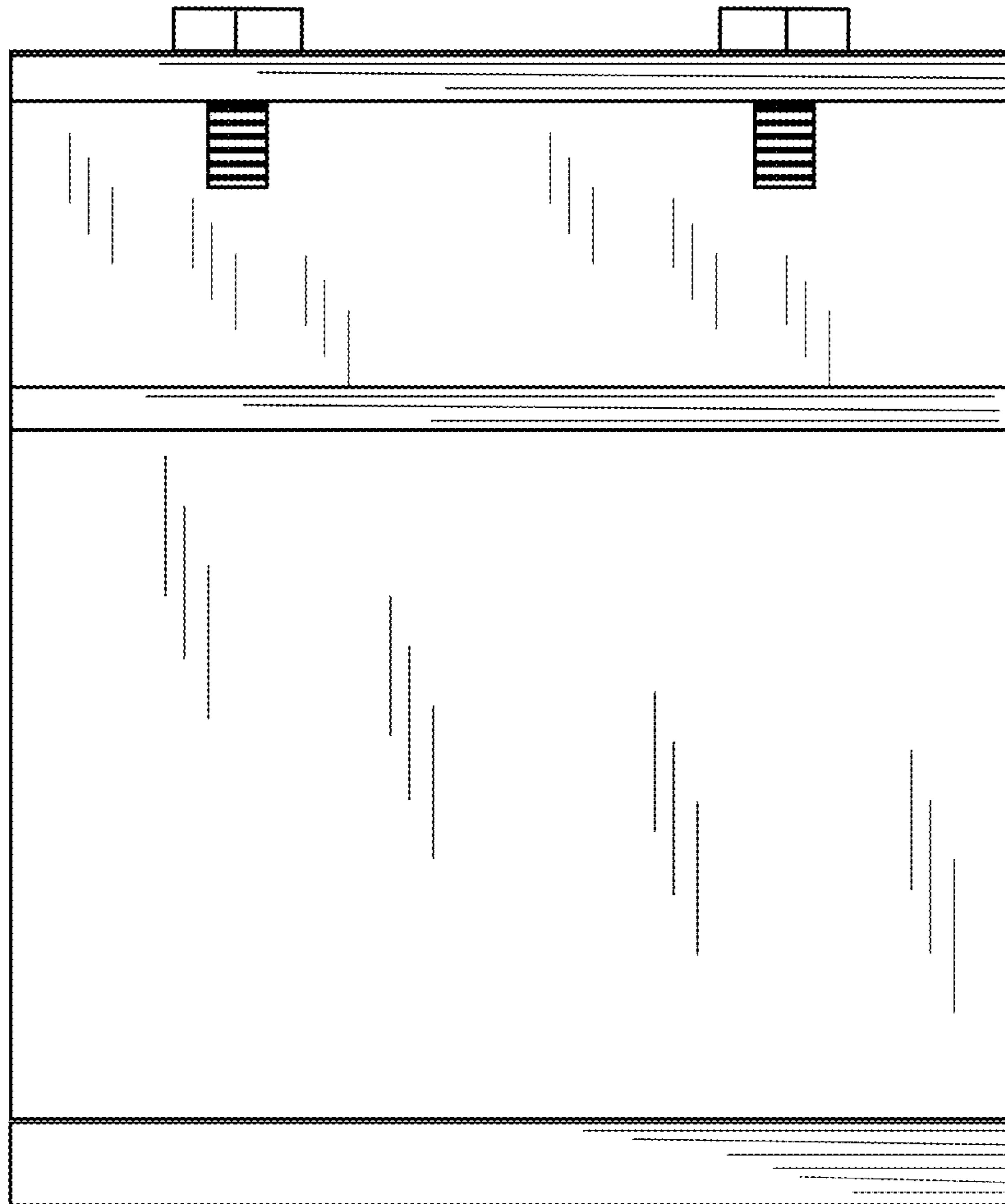


Figure 4

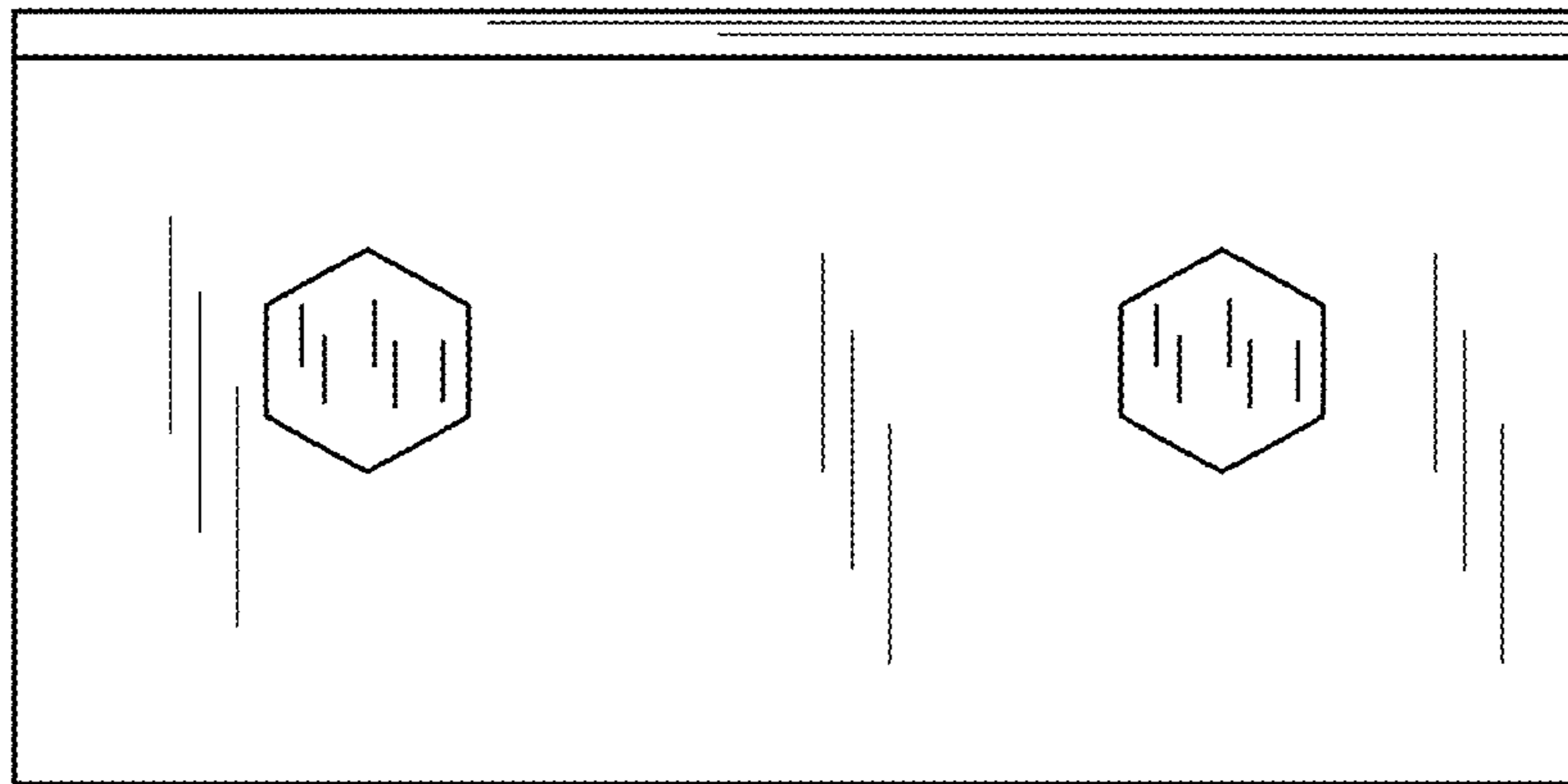


Figure 5

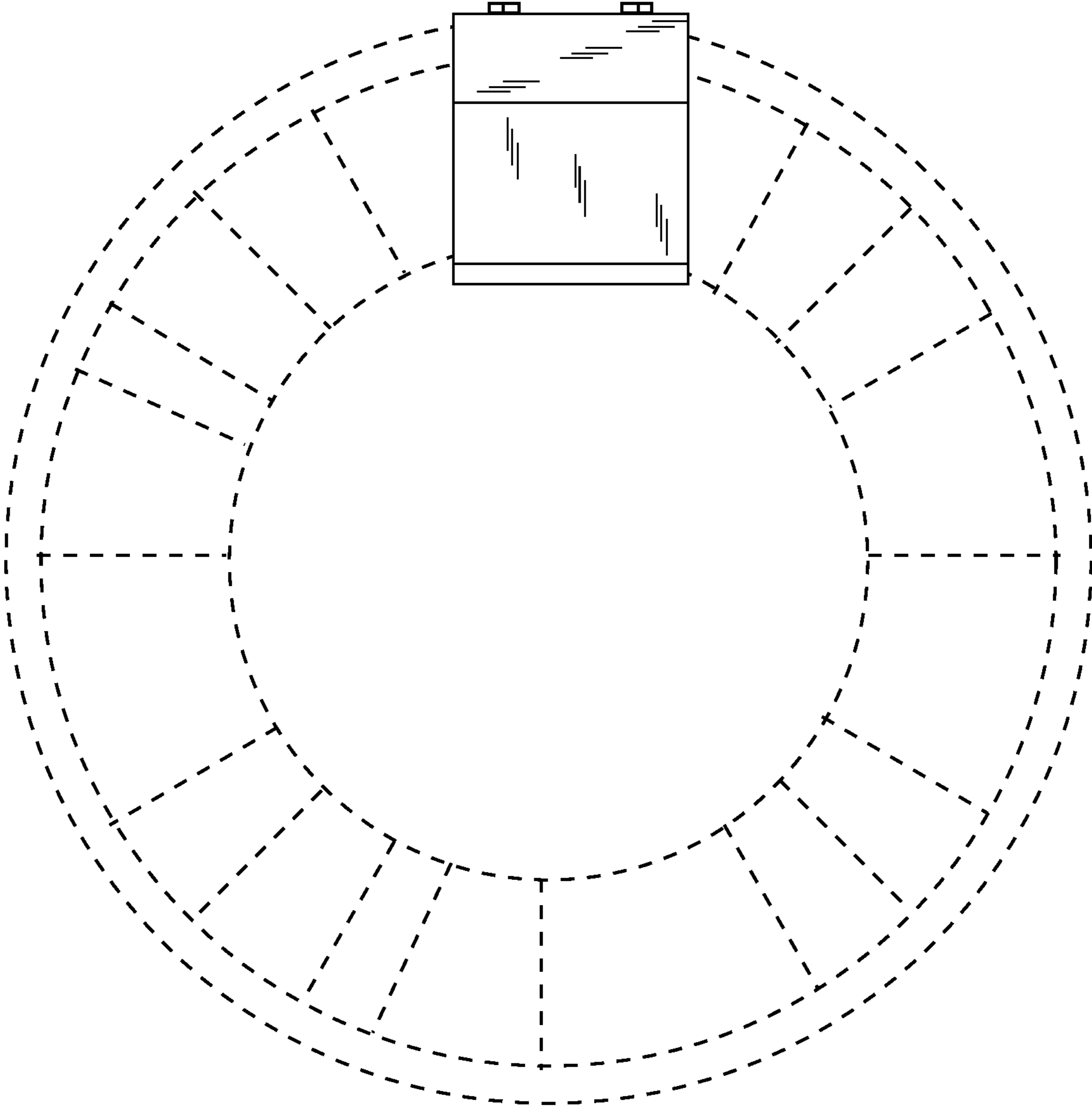


Figure 6

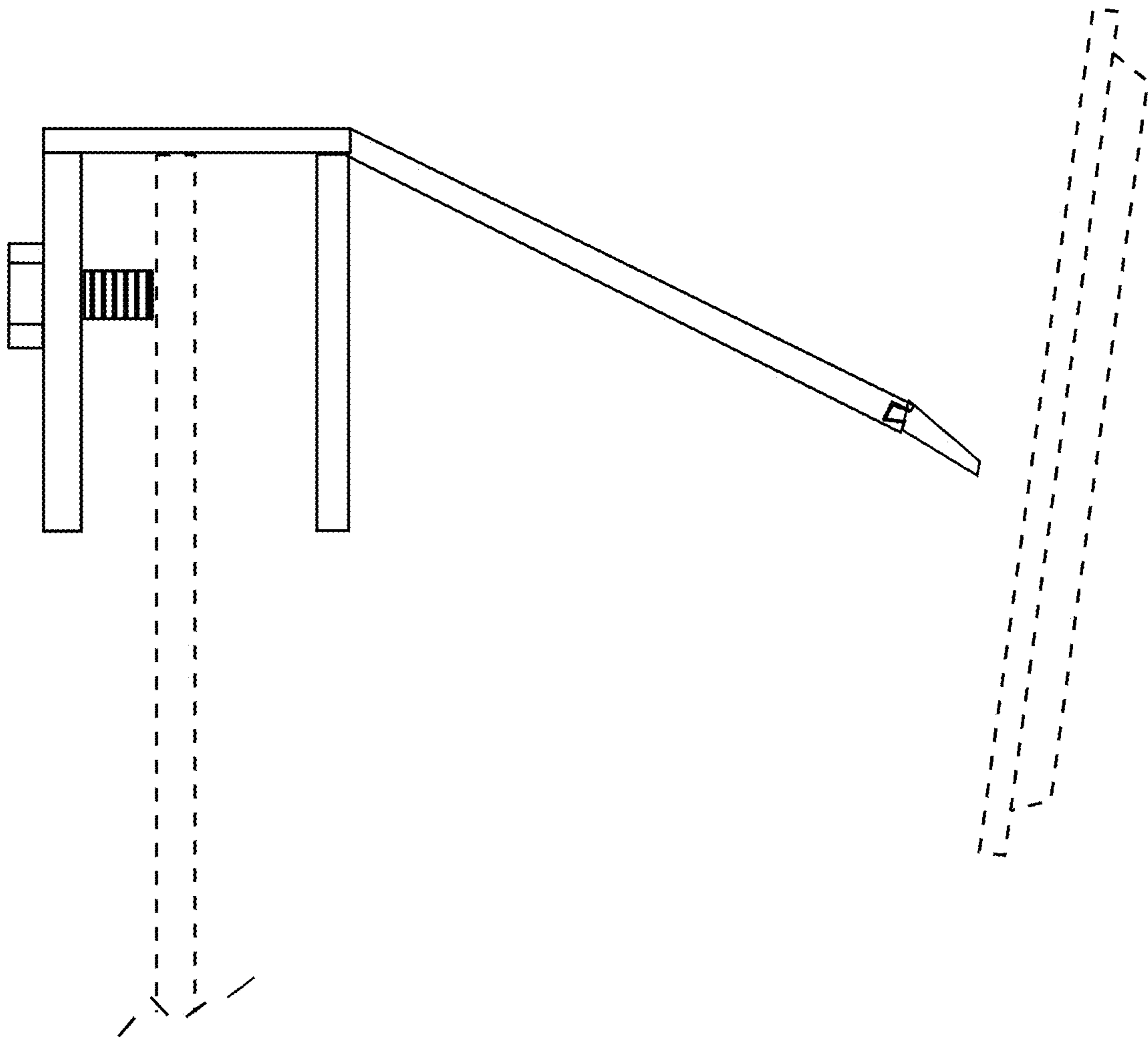


Figure 7