

US00D906613S

(12) **United States Design Patent**
Dai

(10) **Patent No.:** **US D906,613 S**

(45) **Date of Patent:** **** Dec. 29, 2020**

(54) **MOP**

(71) Applicant: **Mingxing Dai**, Guangdong (CN)

(72) Inventor: **Mingxing Dai**, Guangdong (CN)

(**) Term: **15 Years**

(21) Appl. No.: **29/691,543**

(22) Filed: **May 16, 2019**

(51) **LOC (12) Cl.** **07-05**

(52) **U.S. Cl.**
USPC **D32/40**

(58) **Field of Classification Search**

USPC D32/40-43, 45-46, 48-52; D4/100, 119,
D4/132, 135

CPC A47L 4/00; A47L 13/10
See application file for complete search history.

(56) **References Cited**

U.S. PATENT DOCUMENTS

5,876,141	A *	3/1999	Hsu	A47L 13/254 15/144.2
D465,890	S *	11/2002	Rivera	D32/50
D545,019	S *	6/2007	Harper	D32/50
D563,068	S *	2/2008	Jiang	D32/50
D564,164	S *	3/2008	Harper	D32/51
D588,770	S *	3/2009	Koenig	D32/50
D638,186	S *	5/2011	Yoon	D32/50
D644,386	S *	8/2011	Tawara	D32/51
D650,540	S *	12/2011	Fiumefreddo	D32/50

(Continued)

Primary Examiner — John R Yeh

(57) **CLAIM**

The ornamental design for a mop, as shown and described.

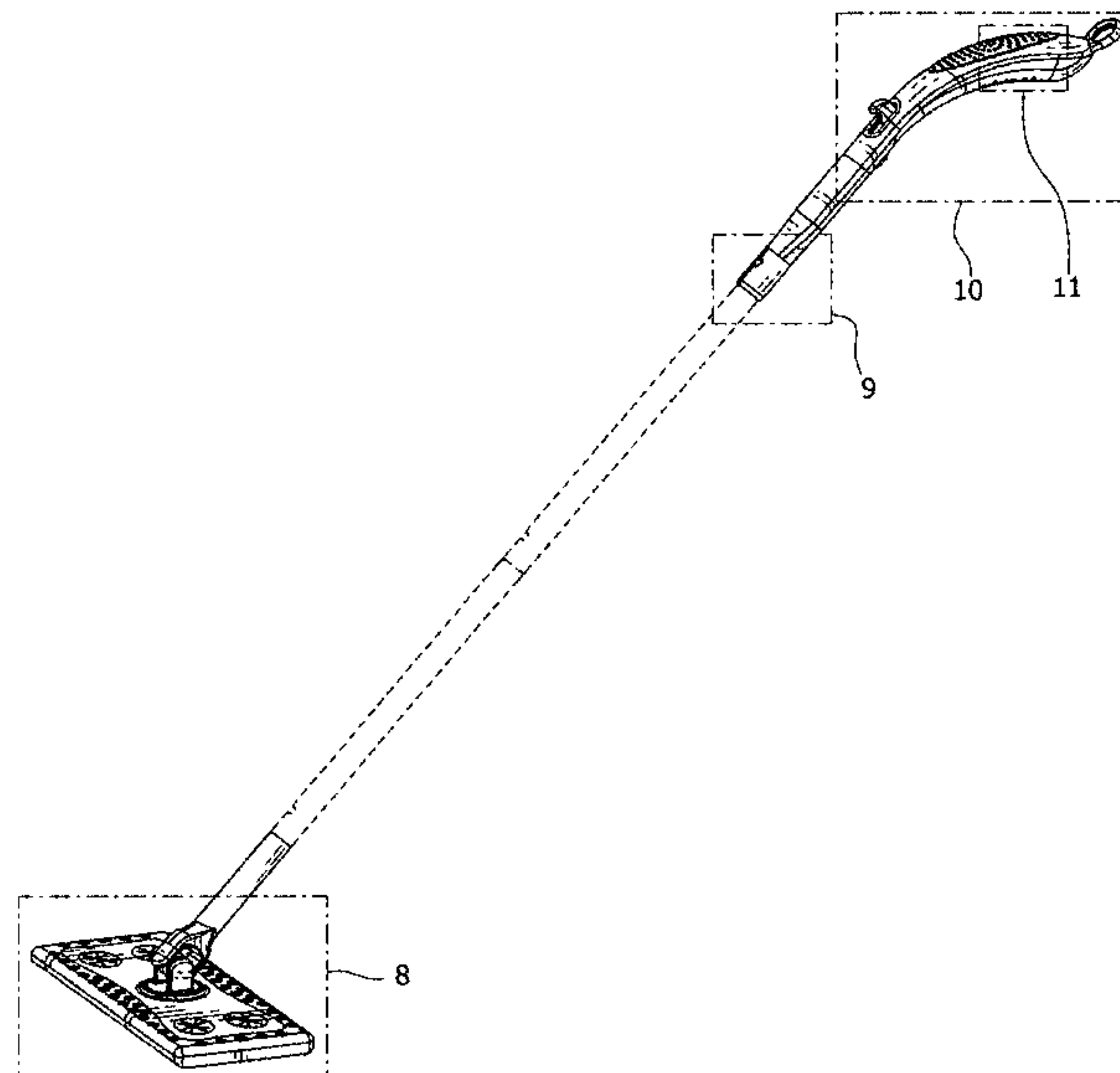
DESCRIPTION

FIG. 1 is a perspective view of a mop showing my new design;

FIG. 2 is a front elevational view of thereof;
 FIG. 3 is a rear elevational view thereof;
 FIG. 4 is a left side elevational view thereof;
 FIG. 5 is a right side elevational view thereof;
 FIG. 6 is a top plan view thereof;
 FIG. 7 is a bottom plan view thereof;
 FIG. 8 is an enlarged view showing a mop pad of FIG. 1;
 FIG. 9 is an enlarged view showing a front part of a handle of FIG. 1;
 FIG. 10 is an enlarged view showing the handle of FIG. 1;
 FIG. 11 is an enlarged view showing a rear part of the handle of FIG. 1;
 FIG. 12 is an enlarged front elevational view showing the handle of FIG. 2;
 FIG. 13 is an enlarged front elevational view showing a joint between the mop pad and a frame of FIG. 2;
 FIG. 14 is an enlarged rear elevational view showing the handle of FIG. 3;
 FIG. 15 is an enlarged rear elevational view showing the joint between the mop pad and the frame of FIG. 3;
 FIG. 16 is an enlarged left side view showing the handle of FIG. 4;
 FIG. 17 is an enlarged left side view showing the joint and the mop pad of FIG. 3;
 FIG. 18 is an enlarged right side view showing the handle of FIG. 5;
 FIG. 19 is an enlarged right side view showing the joint and the mop pad of FIG. 5;
 FIG. 20 is an enlarged top plane view showing the handle of FIG. 6;
 FIG. 21 is an enlarged top plane view showing the mop pad of FIG. 6;
 FIG. 22 is an enlarged bottom plane view showing the mop pad of FIG. 7; and,
 FIG. 23 is an enlarged bottom plane view showing the handle of FIG. 7.

The broken lines in the figures illustrate portions of the mop that form no part of the claimed design.

1 Claim, 23 Drawing Sheets



(56)

References Cited

U.S. PATENT DOCUMENTS

D655,876	S *	3/2012	Lee	D32/50
D660,533	S *	5/2012	Hill	D32/22
D685,969	S *	7/2013	Smith	D32/50
D700,761	S *	3/2014	Libman	D32/50
D719,712	S *	12/2014	Widmer	A46B 17/00
					D32/35
D720,906	S *	1/2015	Baldwin	D32/50
9,980,622	B2 *	5/2018	Soller	A47L 13/46
D819,906	S *	6/2018	Beyda	D32/40
D822,299	S *	7/2018	Fair	D32/50
D828,667	S *	9/2018	Xiaobing	D32/45
D863,707	S *	10/2019	Thompson	D32/50
D869,793	S *	12/2019	Casini	D32/15

* cited by examiner

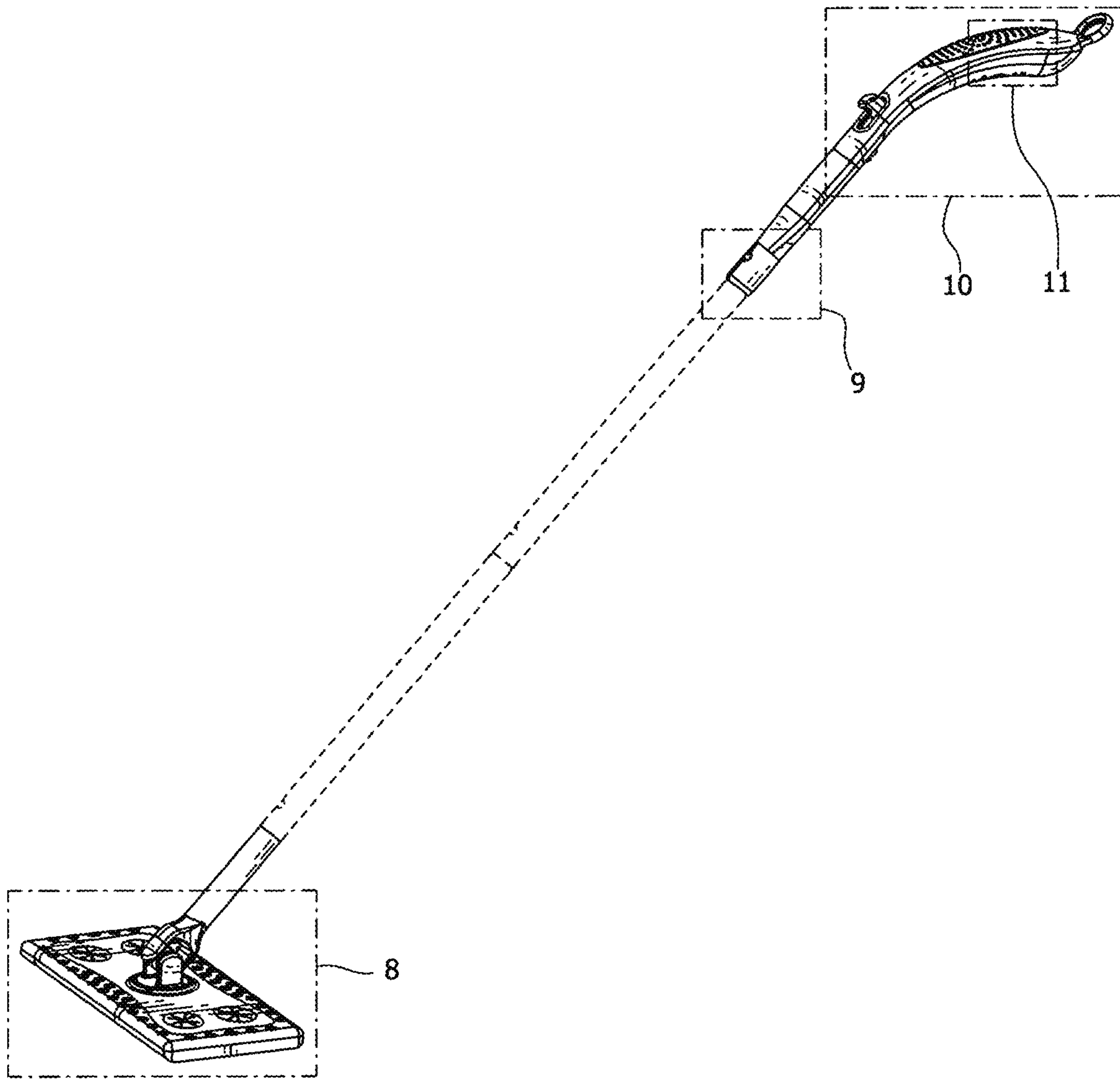


FIG.1

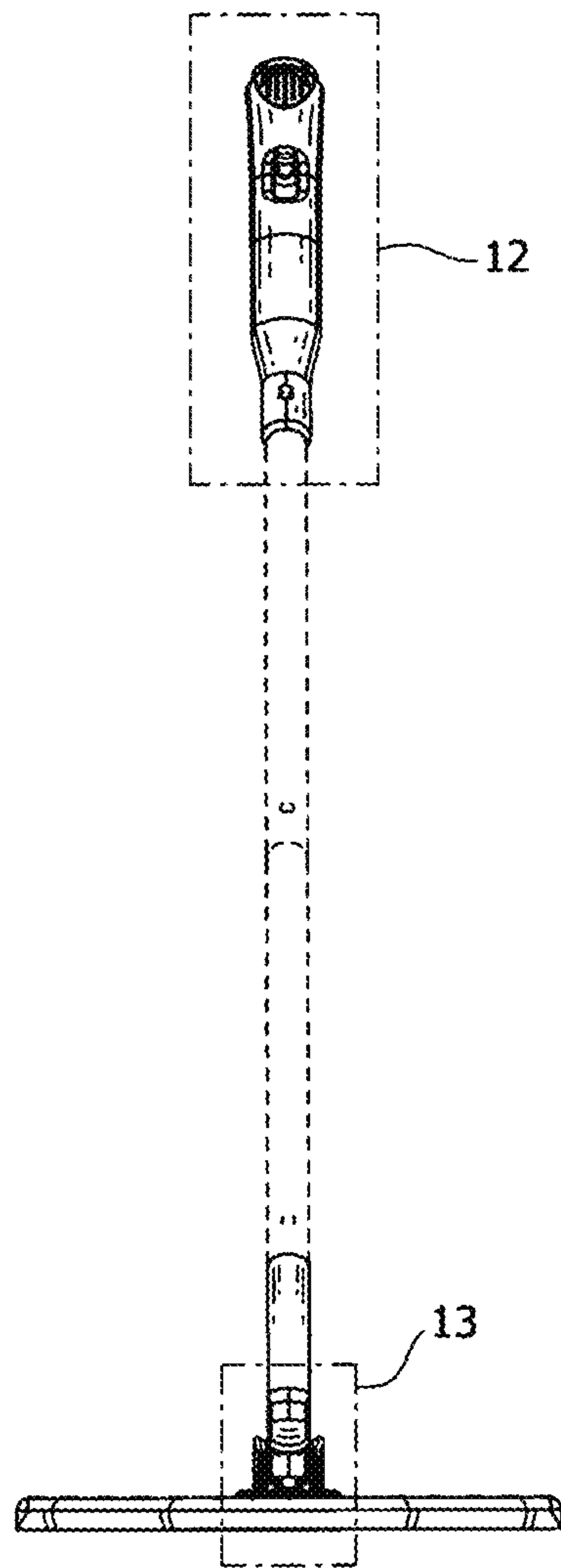


FIG.2

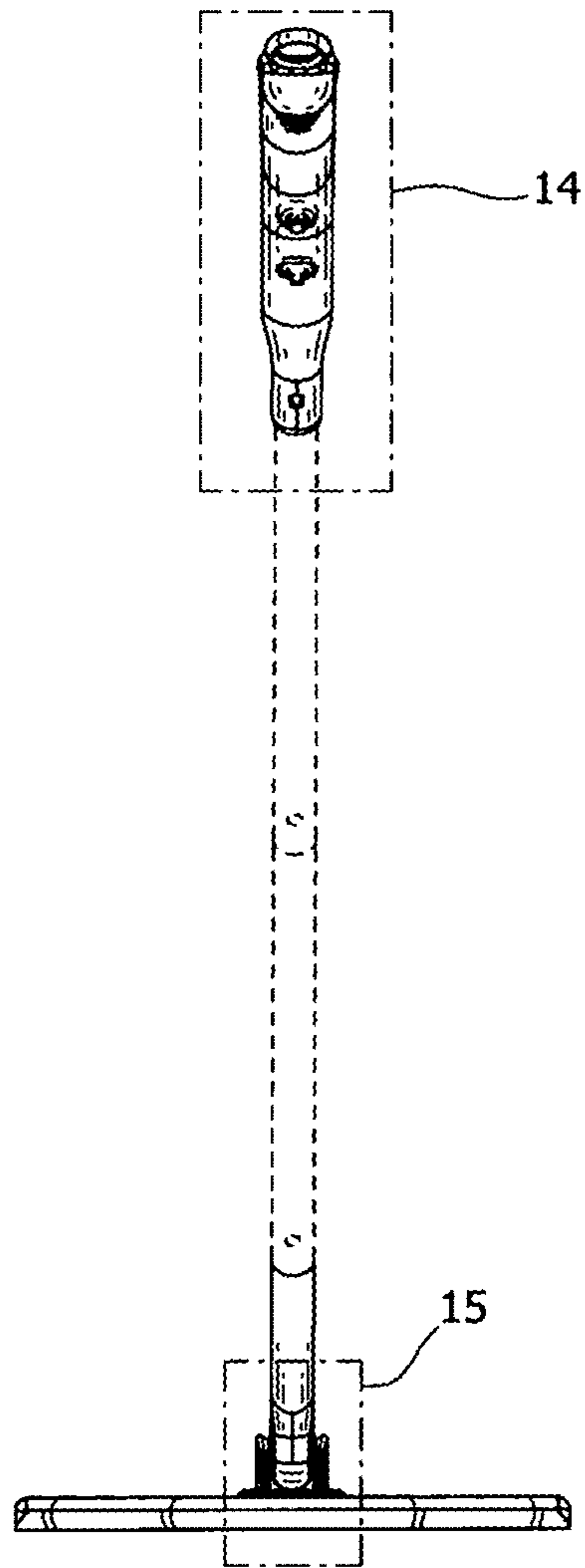


FIG.3

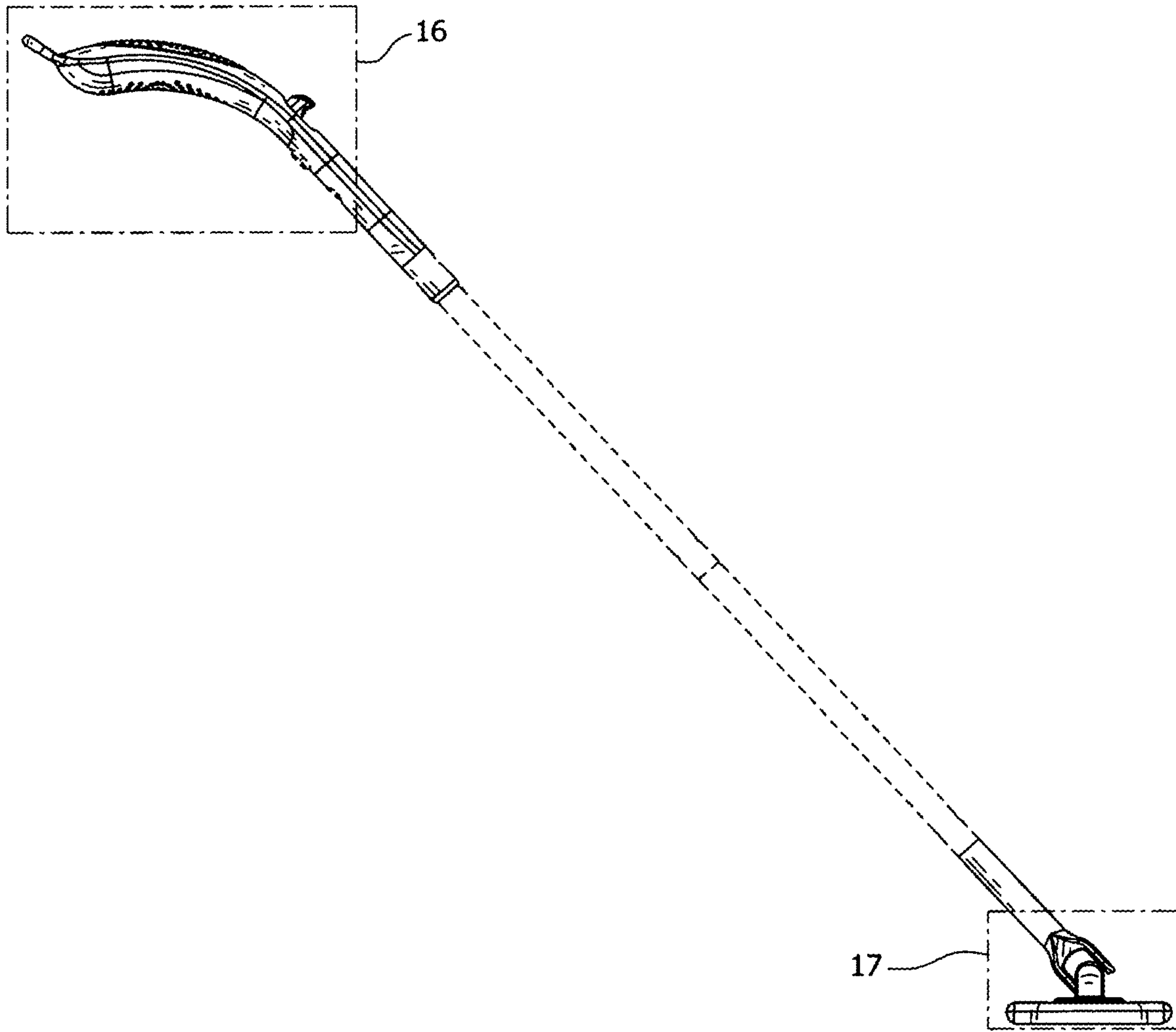


FIG.4

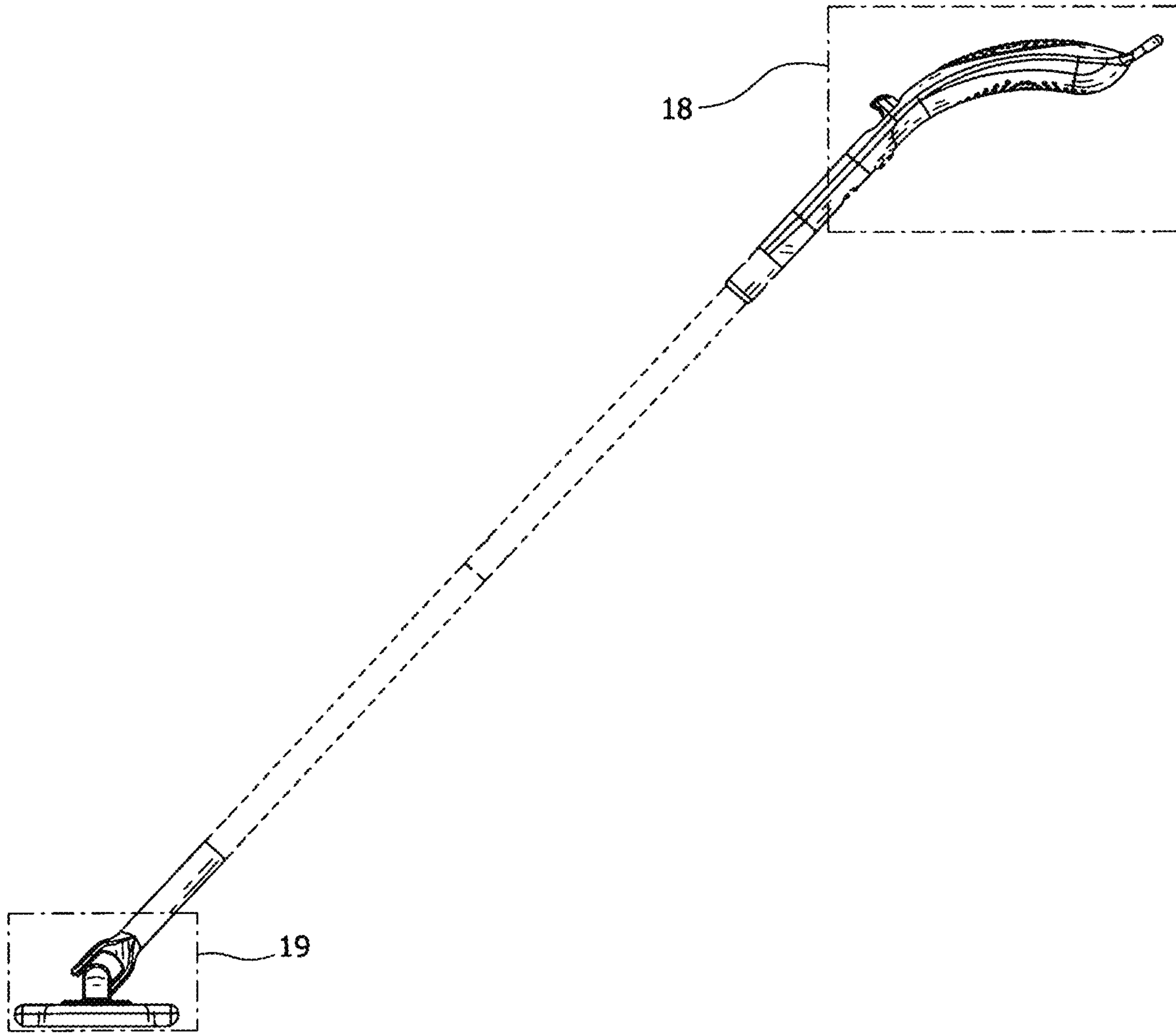


FIG.5

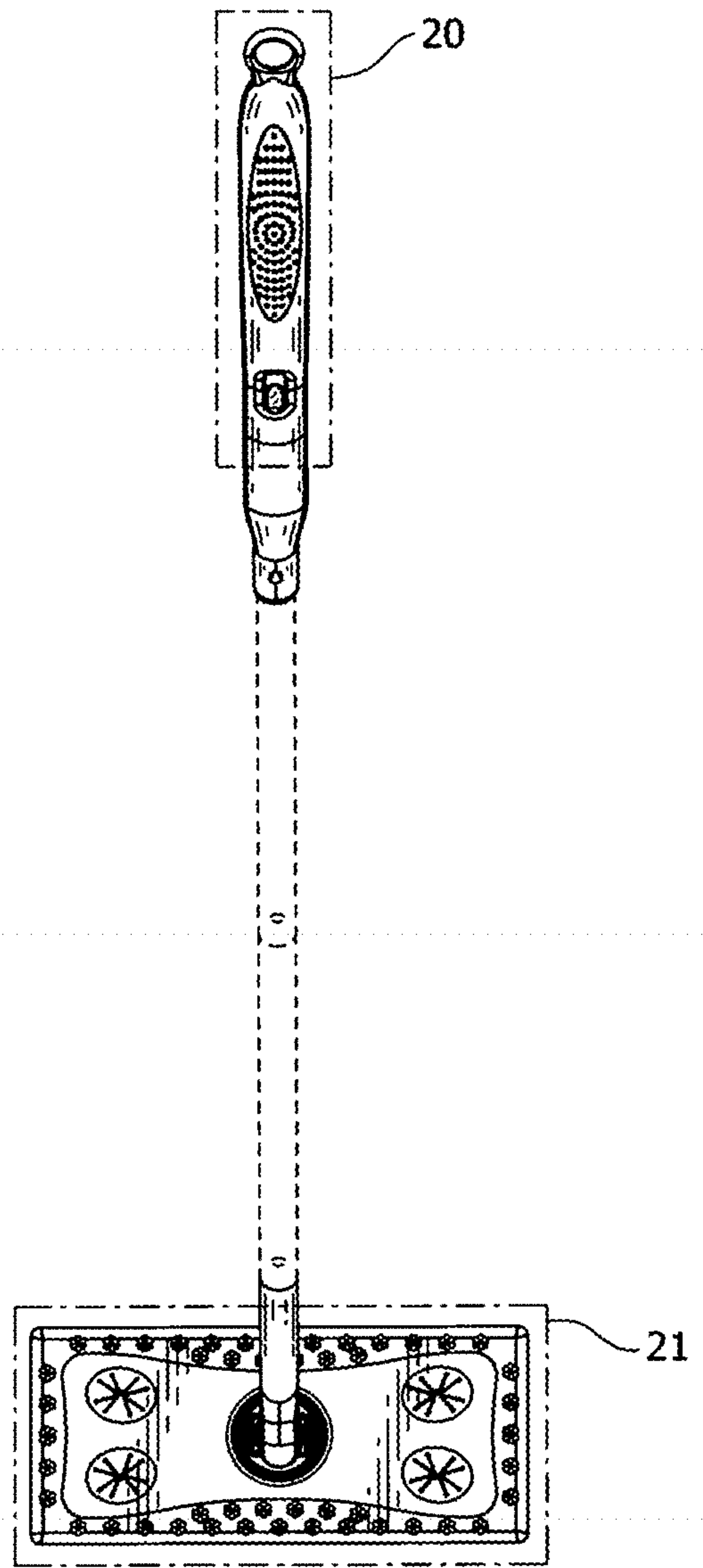


FIG.6

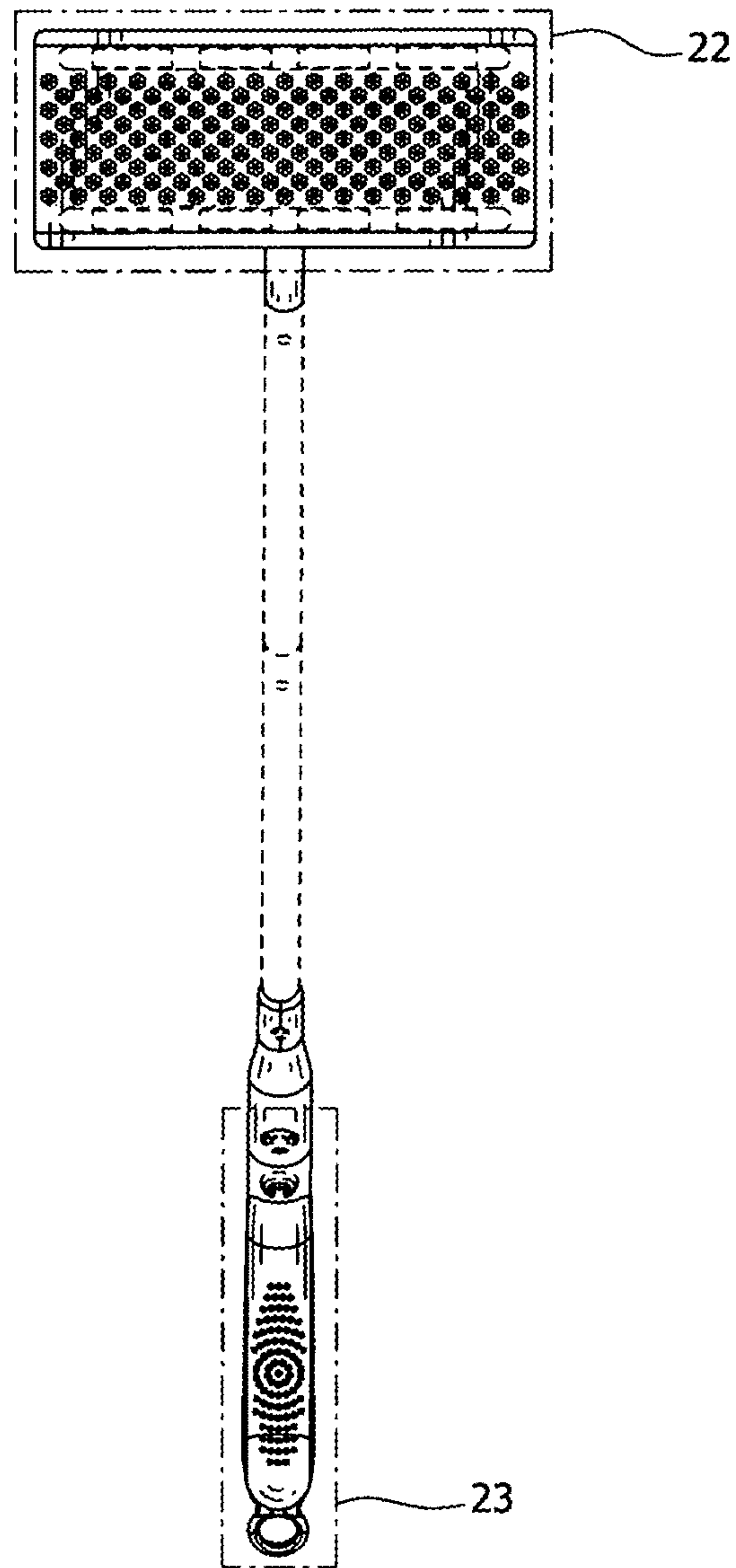


FIG.7

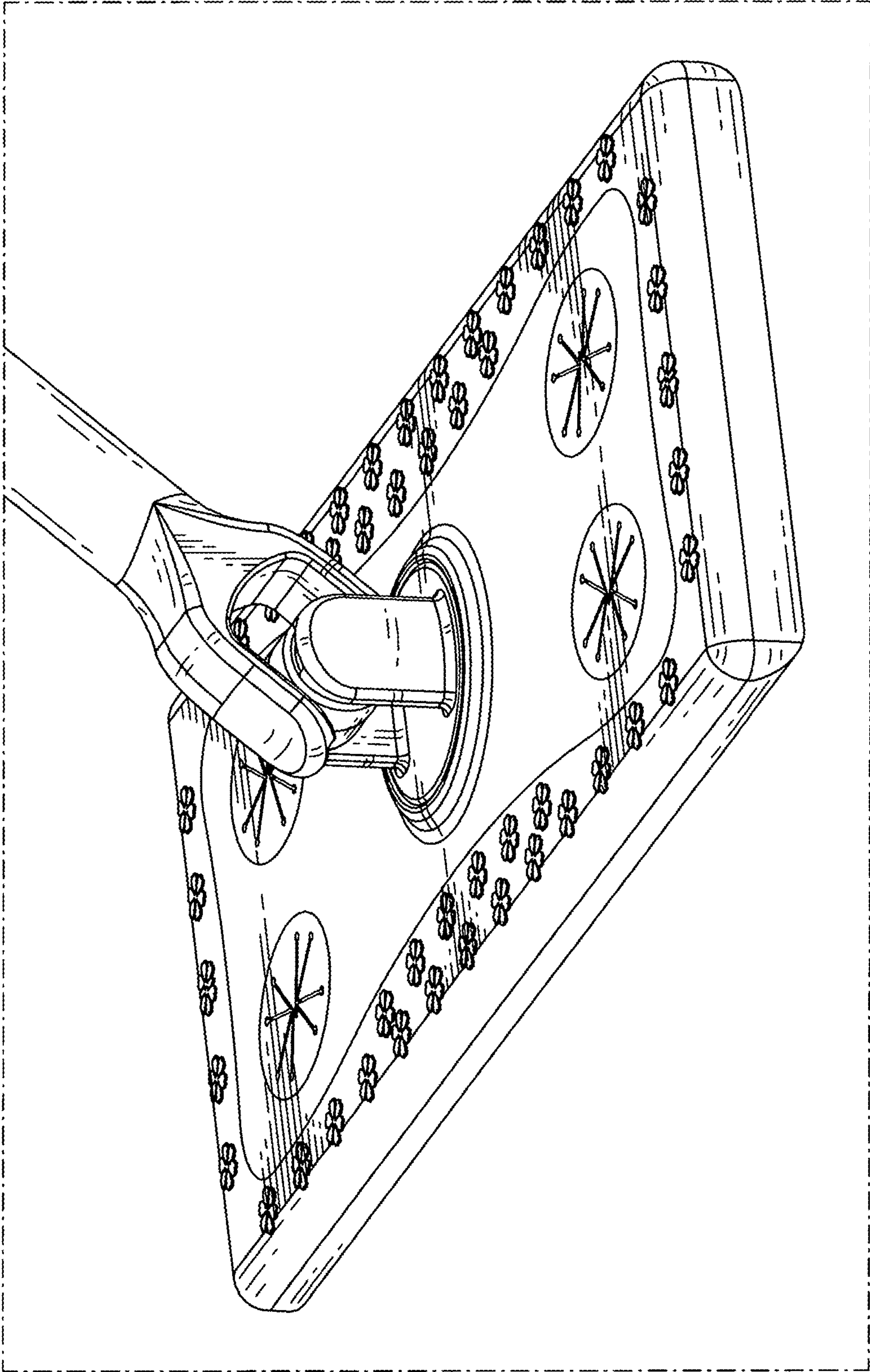


FIG.8

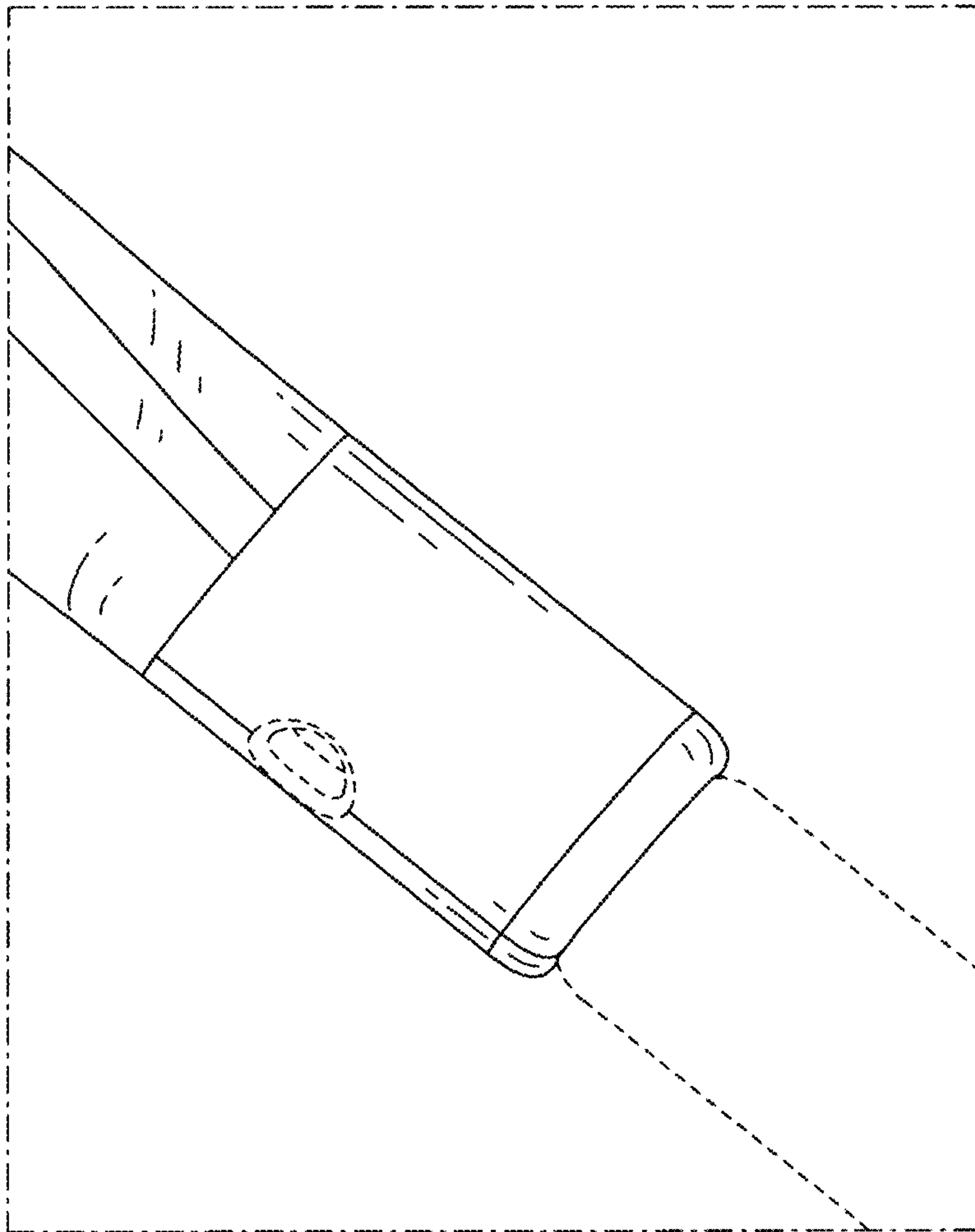


FIG.9

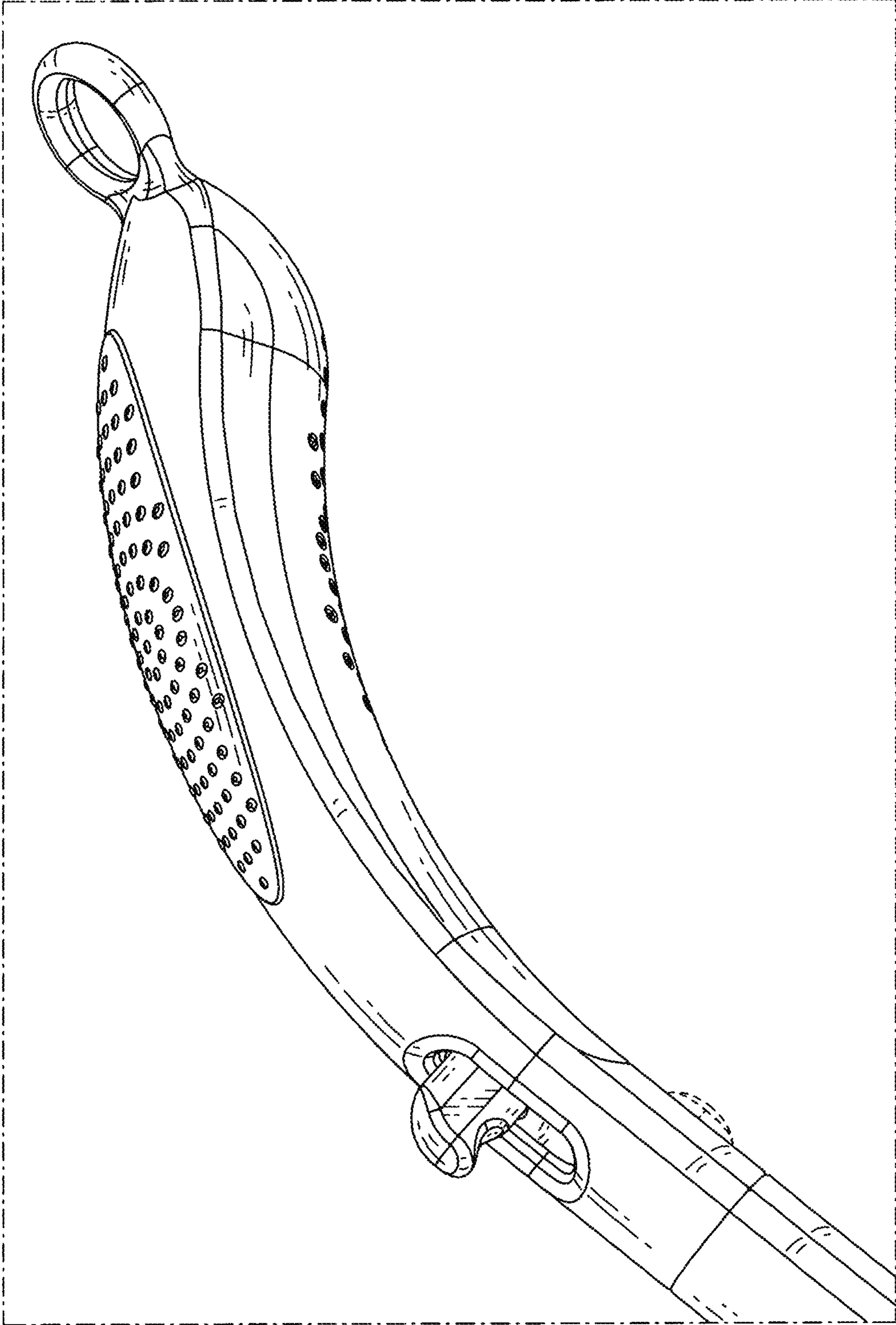


FIG.10

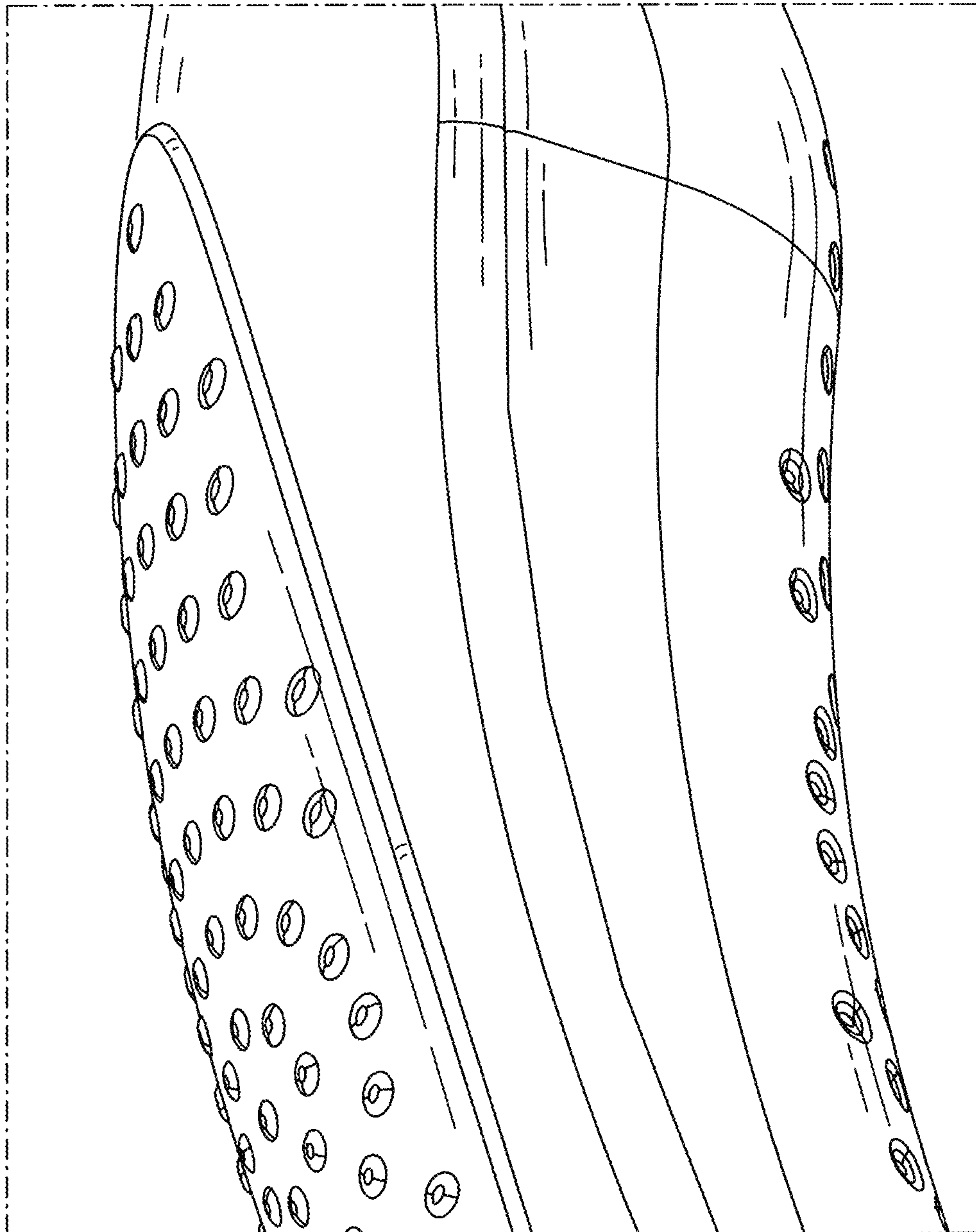


FIG.11

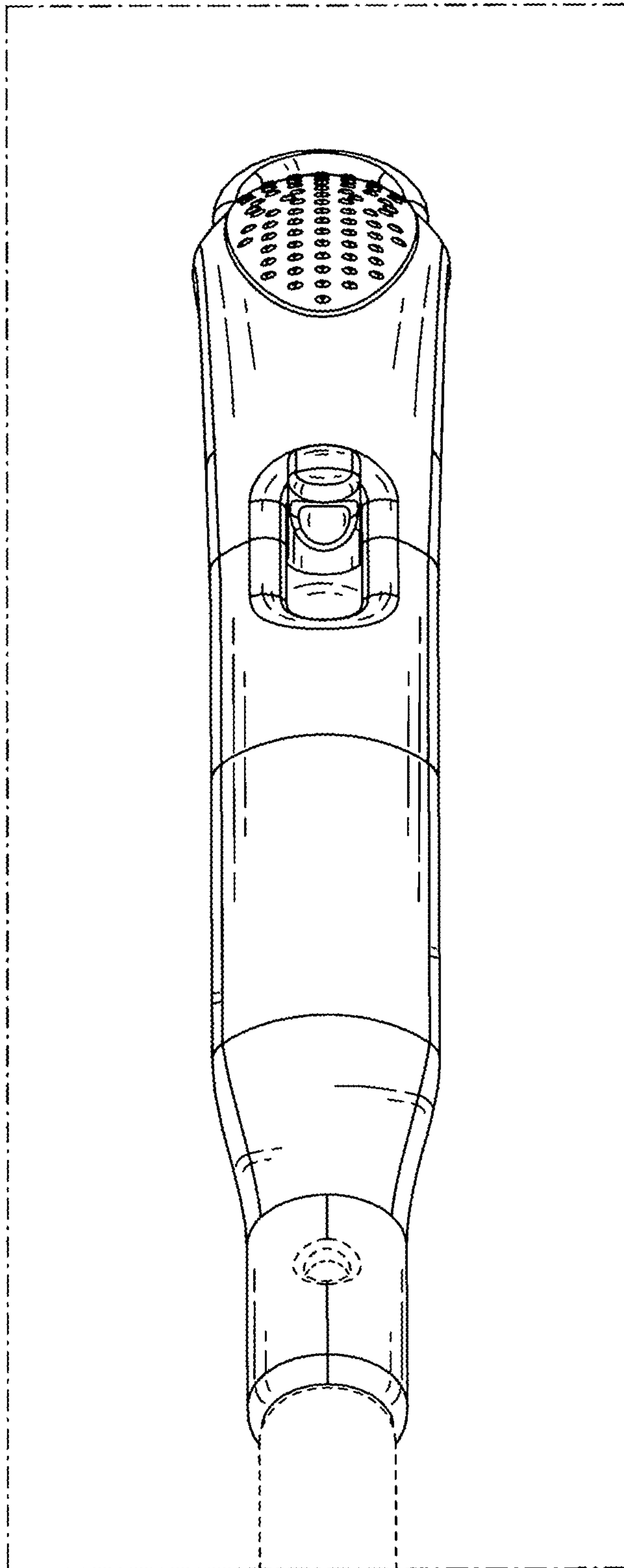


FIG.12

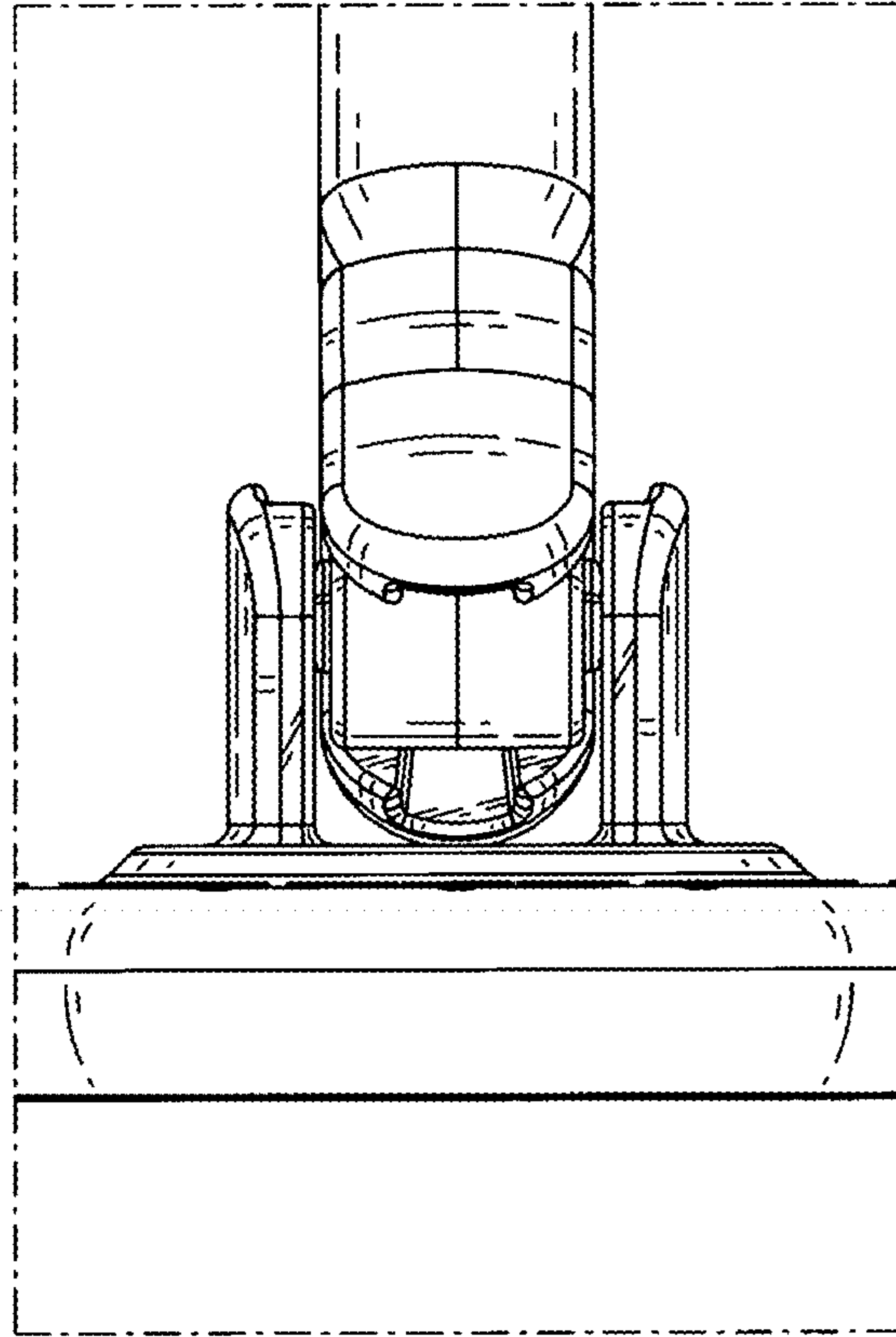


FIG.13

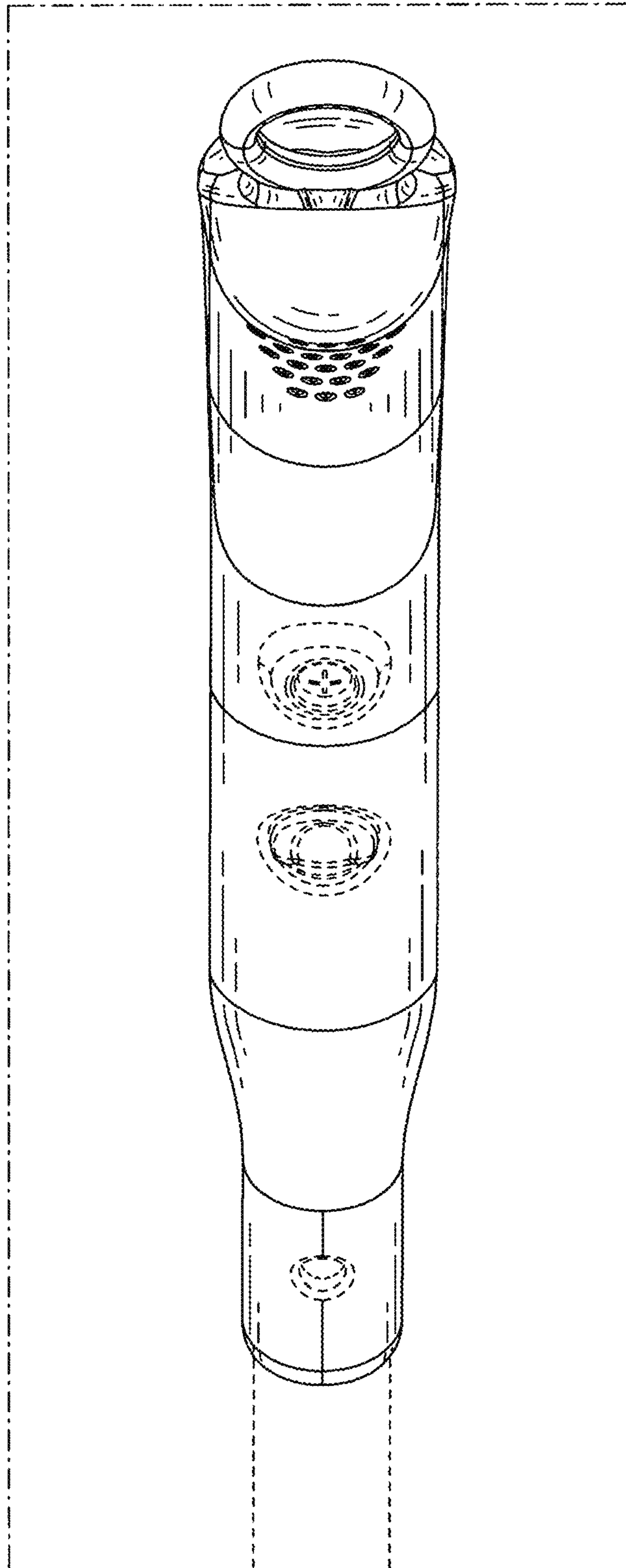


FIG.14

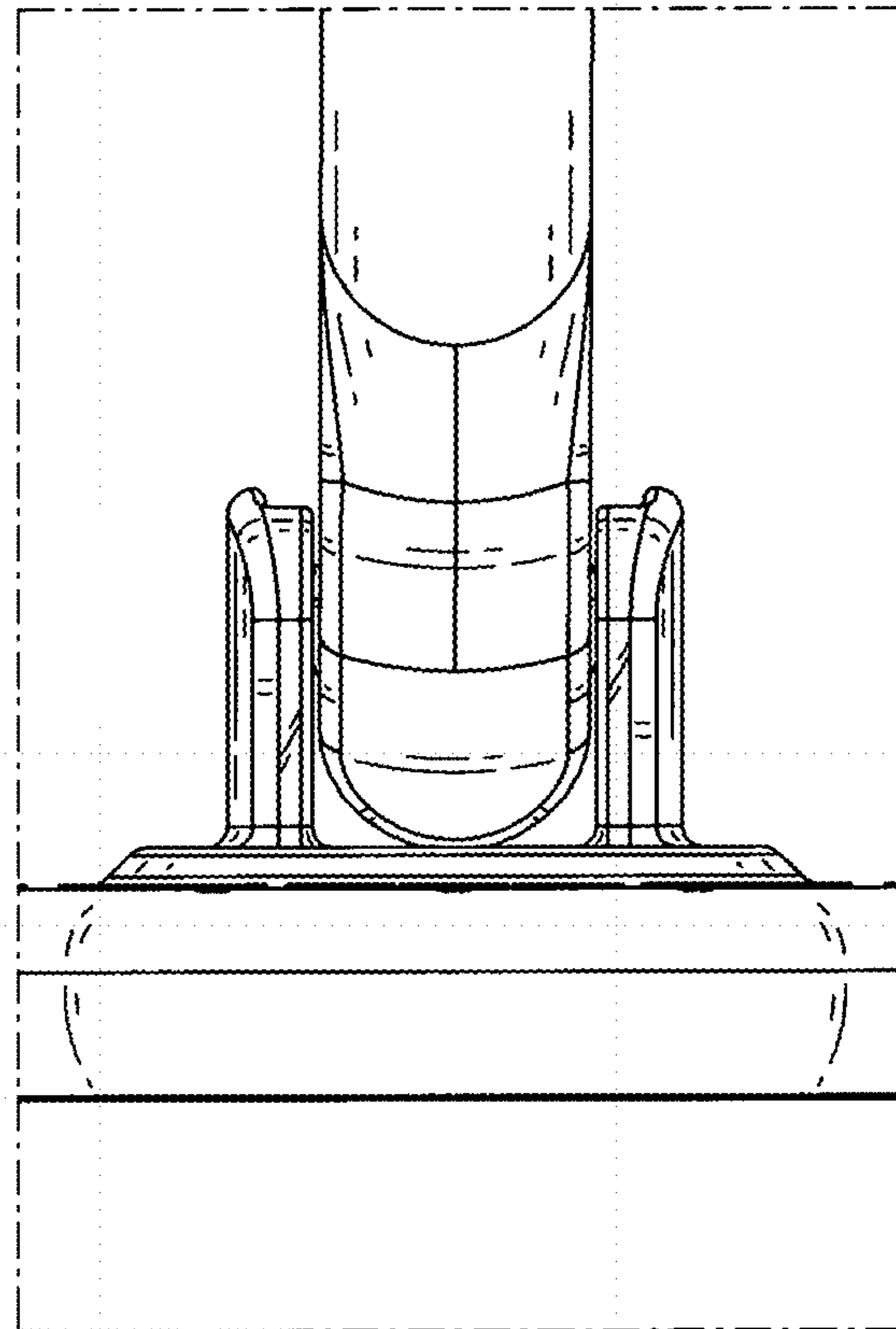


FIG.15

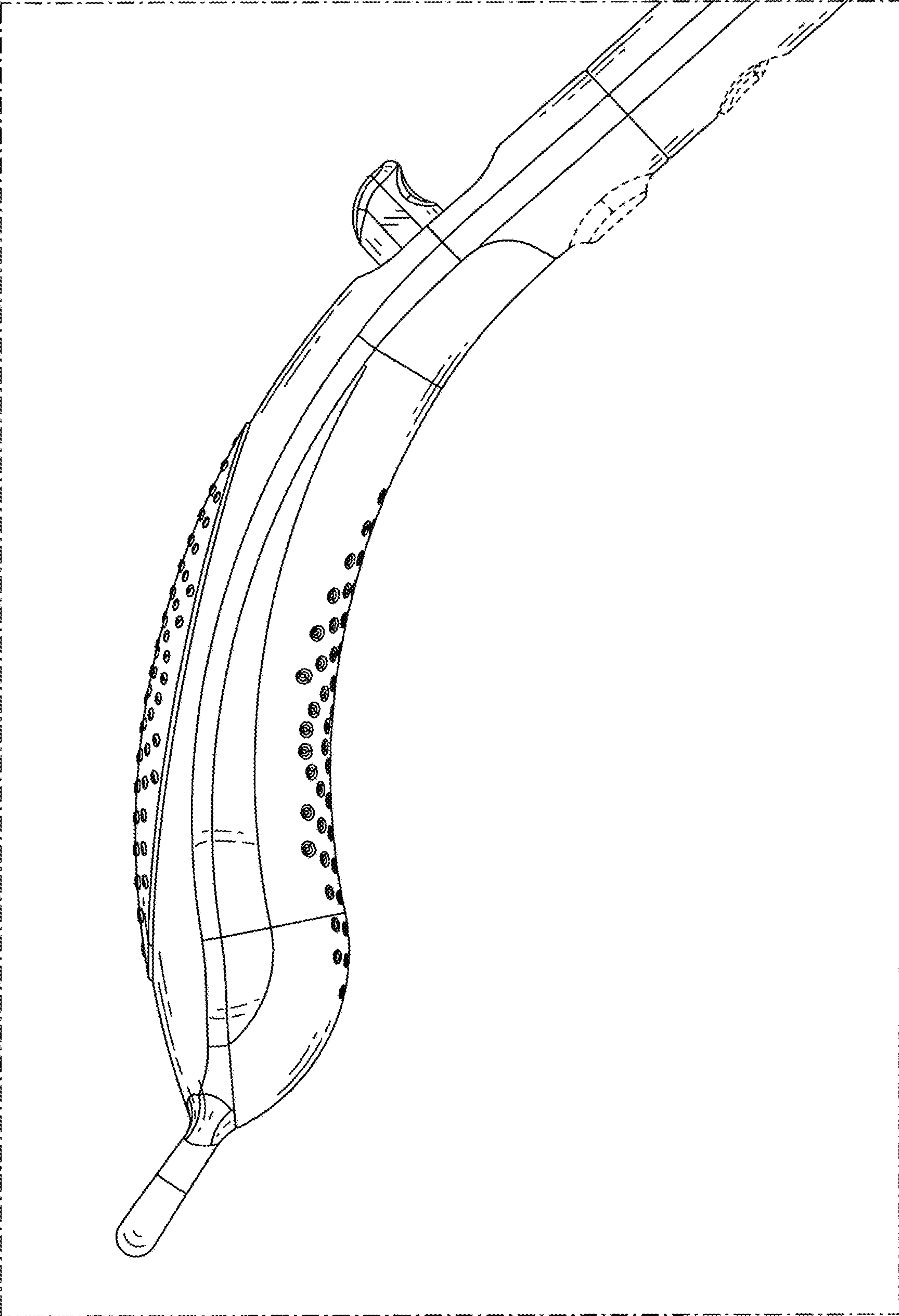


FIG.16

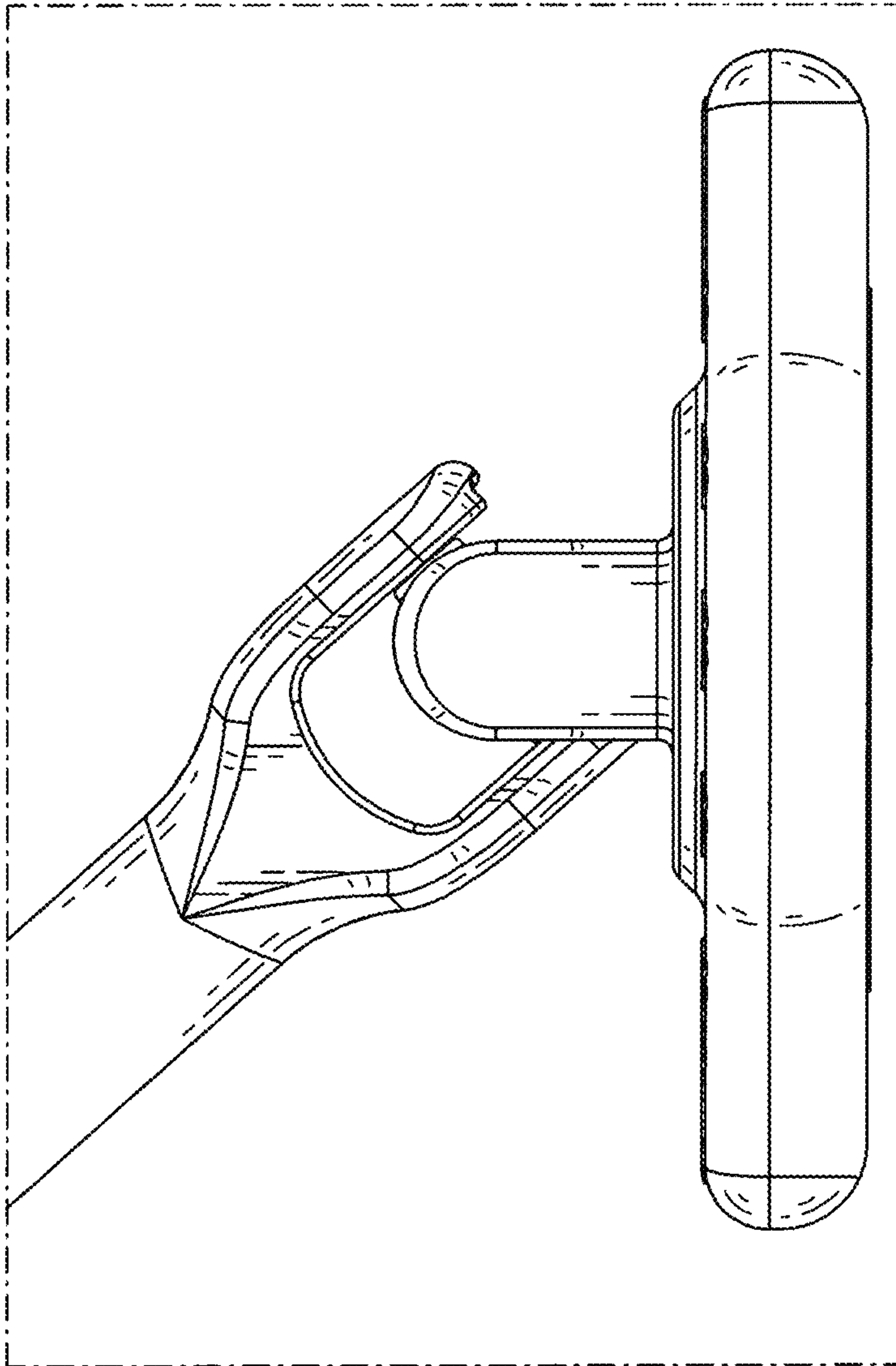


FIG.17

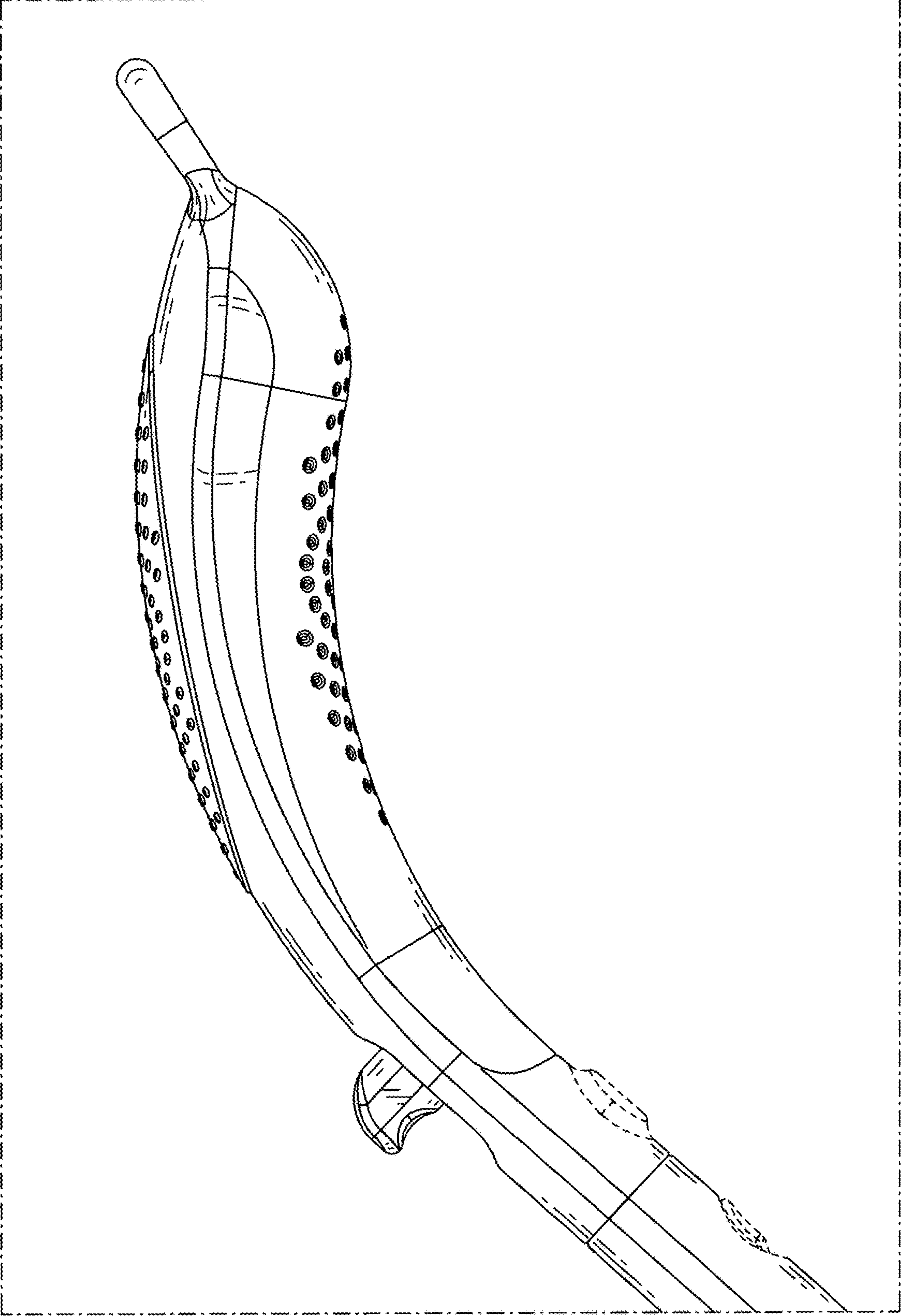


FIG.18

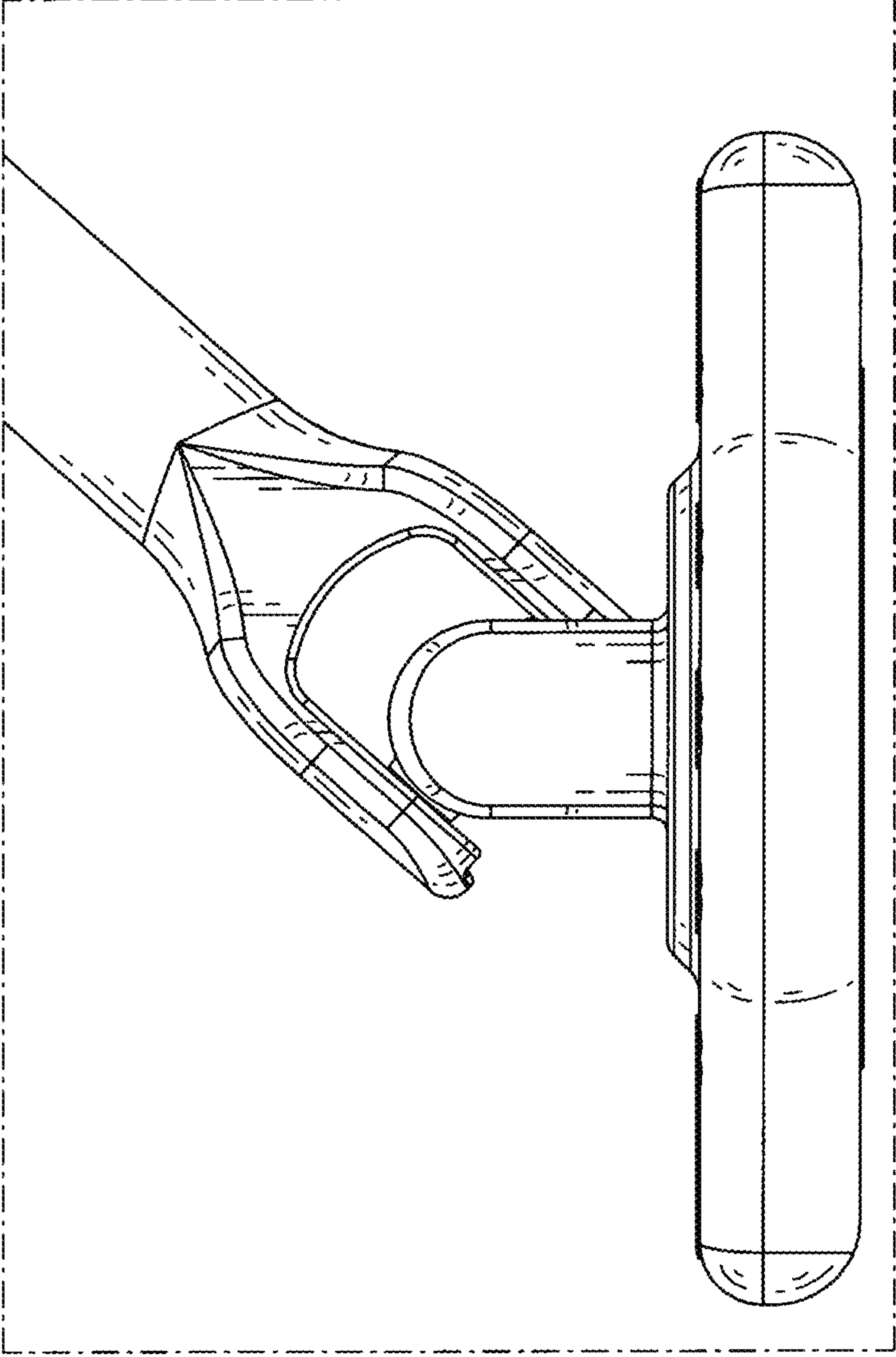


FIG.19

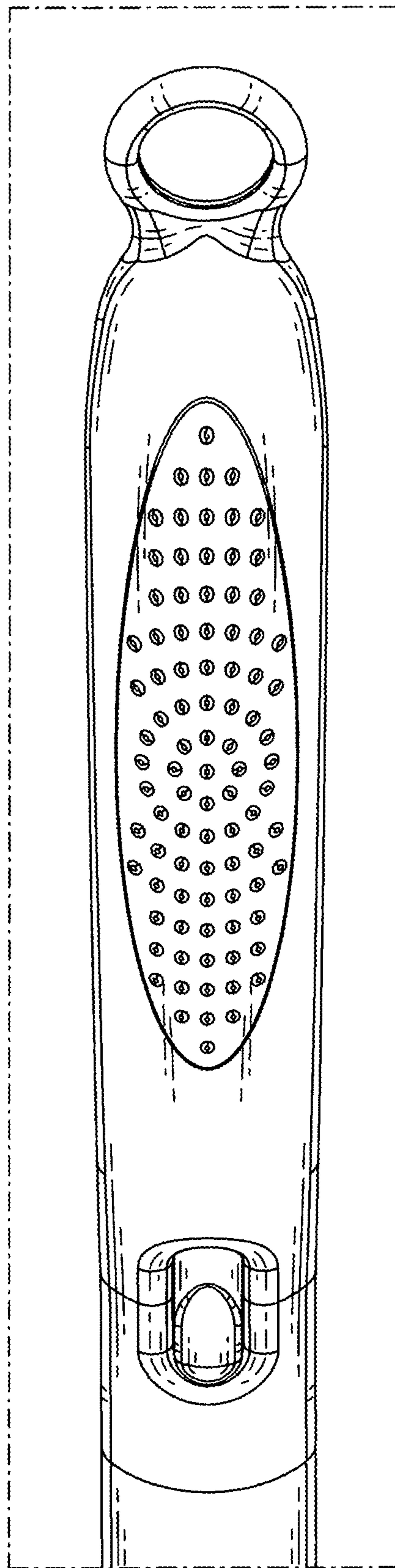


FIG.20

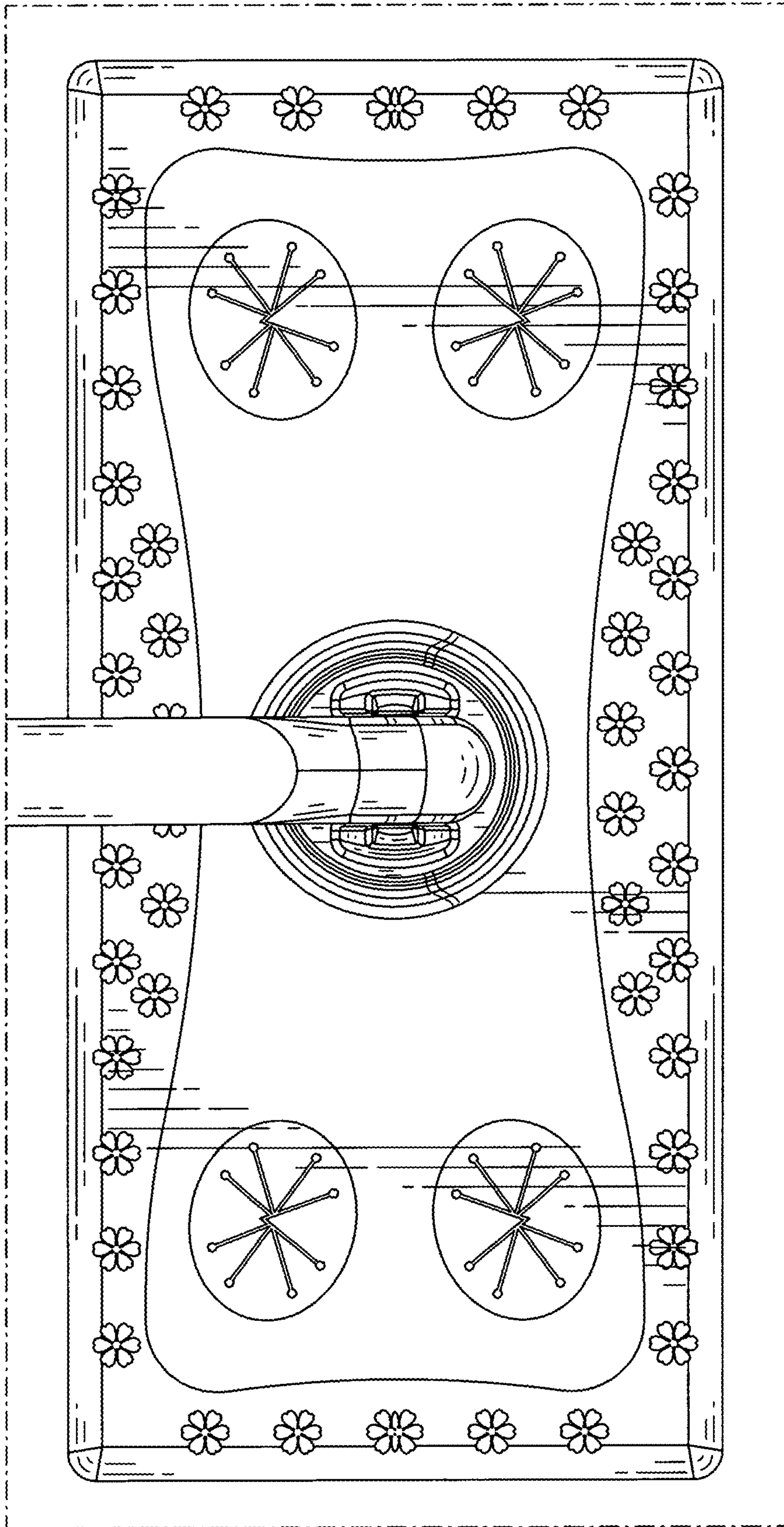


FIG.21

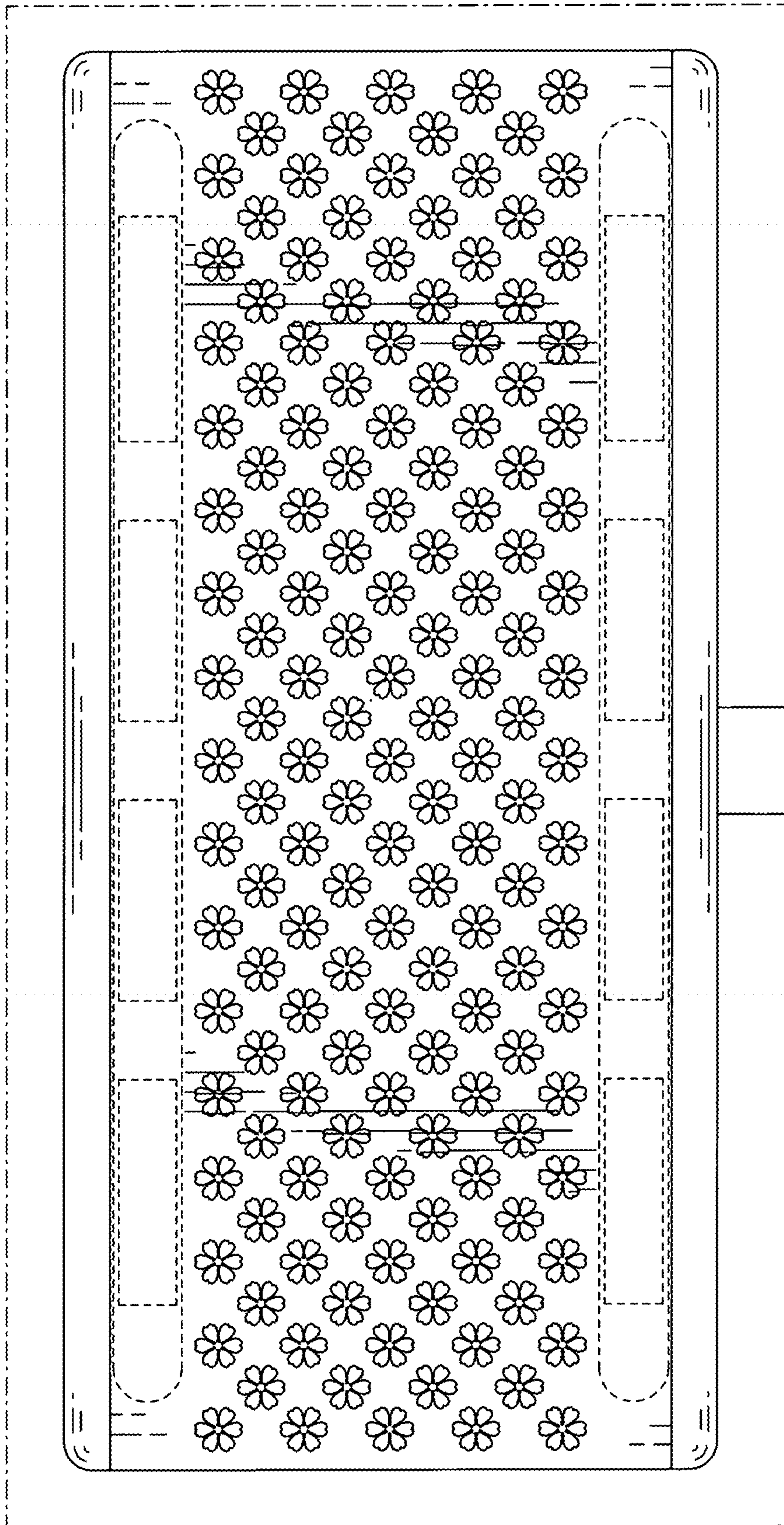


FIG. 22

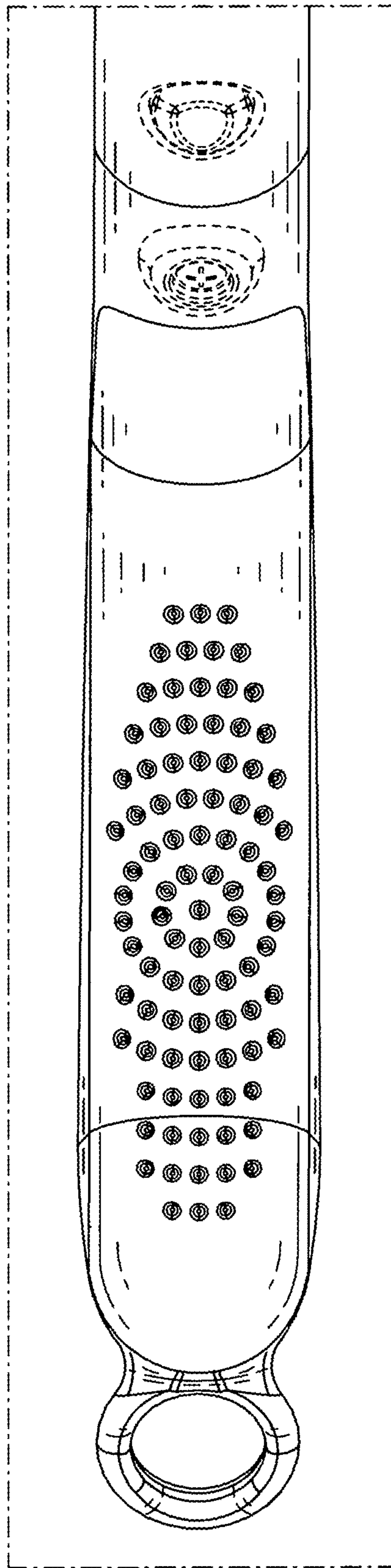


FIG.23