



US00D906612S

(12) **United States Design Patent** (10) **Patent No.:** **US D906,612 S**
Pellegrino (45) **Date of Patent:** **** Dec. 29, 2020**

(54) **TILE AND GROUT CLEANING PAD**

(71) Applicant: **Leonard Pellegrino**, San Diego, CA
(US)

(72) Inventor: **Leonard Pellegrino**, San Diego, CA
(US)

(**) Term: **15 Years**

(21) Appl. No.: **29/673,874**

(22) Filed: **Dec. 18, 2018**

(51) **LOC (12) Cl.** **07-05**

(52) **U.S. Cl.**
USPC **D32/40**

(58) **Field of Classification Search**
USPC D32/40-43, 50-52; D21/471, 473, 499;
D28/59; D5/4, 7, 25, 53
CPC A47L 13/12; A47L 13/20; A47L 13/16;
A45D 34/04
See application file for complete search history.

(56) **References Cited**

U.S. PATENT DOCUMENTS

D274,098 S	5/1984	Kaufman	
4,679,859 A *	7/1987	Wilson	A47L 13/20
			15/104.94
5,412,829 A *	5/1995	Hefner	A46B 7/02
			15/160
5,522,110 A	6/1996	Borofsky	
D401,099 S	11/1998	Pawson et al.	
5,903,950 A *	5/1999	Lavin	A46B 5/0083
			15/146
D417,117 S	11/1999	Gerck	
6,023,809 A *	2/2000	Demetriades	A47L 13/20
			15/229.1
D474,031 S	5/2003	Wassil et al.	
6,842,936 B2	1/2005	Policicchi et al.	
D523,274 S	6/2006	Miyoshi	
D549,030 S	8/2007	Kessler et al.	
D551,408 S	9/2007	Pung et al.	
D587,271 S *	2/2009	Johnson	D14/439

D591,018 S *	4/2009	Bogaerts	D32/40
D608,127 S	1/2010	Venugopal	
D611,140 S *	3/2010	Houston	D24/125
D612,118 S *	3/2010	Williams	D32/41
D623,882 S	9/2010	Oster	
D642,759 S	8/2011	Otsuka et al.	
D649,310 S *	11/2011	Colangelo	D32/40
D649,312 S *	11/2011	Adams	D32/40
D659,327 S *	5/2012	Davis	D32/40
D666,860 S	9/2012	Lubart	
D667,187 S *	9/2012	Sowinski	D32/40

(Continued)

OTHER PUBLICATIONS

<https://www.tineye.com/search/c9d69321577903ff04d10628dbaaafb050b1412c?page=1> site visited Nov. 11, 2019, image date 2016 (Year: 2016).*

(Continued)

Primary Examiner — John R Yeh
(74) *Attorney, Agent, or Firm* — Gary L. Eastman, Esq.;
Eastman McCartney Dallmann LLP

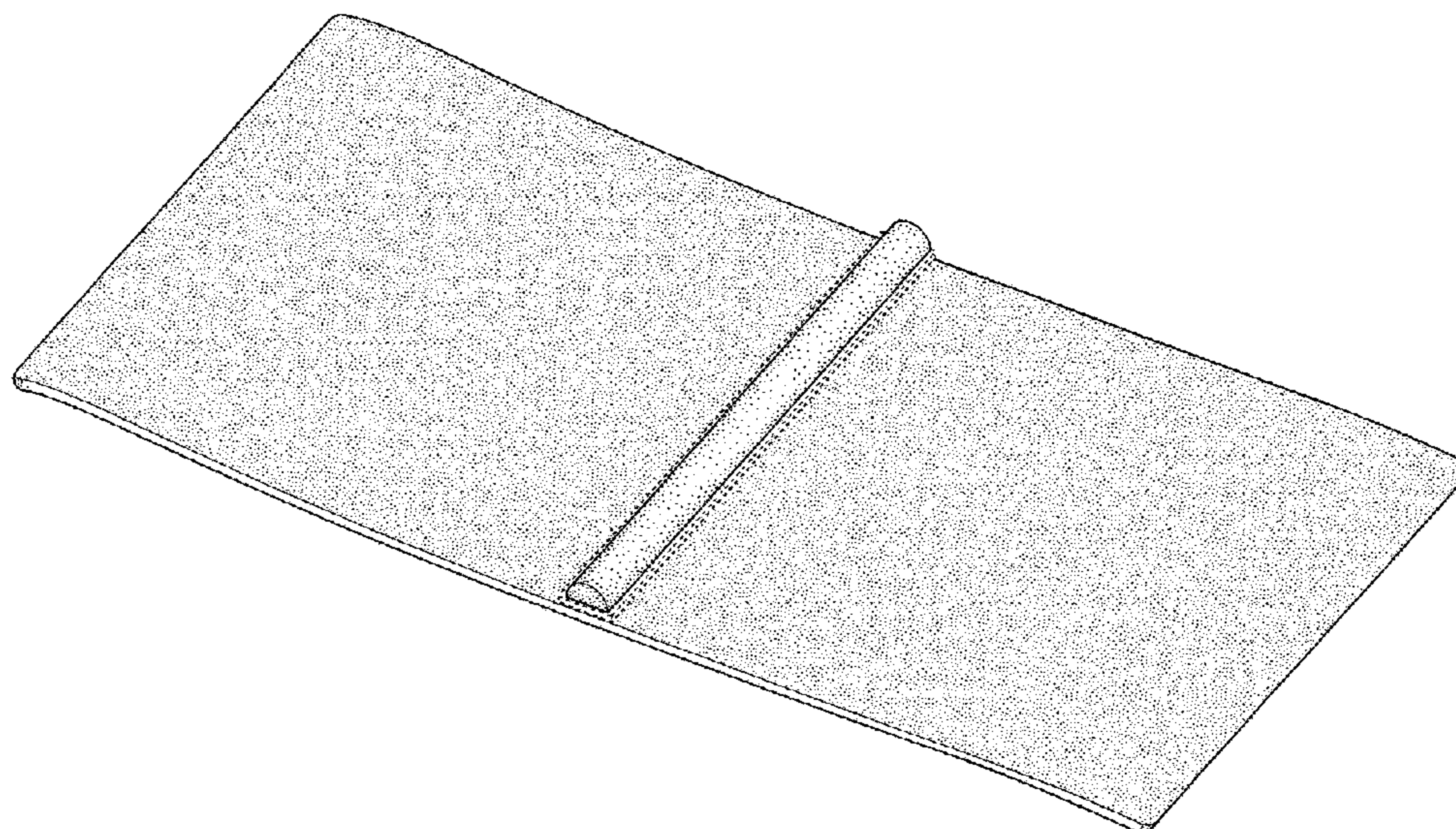
(57) **CLAIM**

The ornamental design for a tile and grout cleaning pad, as shown and described.

DESCRIPTION

FIG. 1 is a top perspective view of the tile and grout cleaning pad showing my new design;
FIG. 2 is a top plan view thereof;
FIG. 3 is a bottom plan view thereof;
FIG. 4 is a front elevational view thereof;
FIG. 5 is a back elevational view thereof;
FIG. 6 is a right side elevational view thereof; and,
FIG. 7 is a left side elevational view thereof.
The broken lines in the figures represent portions of the tile and grout cleaning pad that form no part of the claimed design.

1 Claim, 5 Drawing Sheets



(56)

References Cited

U.S. PATENT DOCUMENTS

D668,012 S * 9/2012 Seibert D32/40
D668,411 S * 10/2012 Libman D32/40
8,321,988 B1 * 12/2012 Randall 15/160
D674,566 S 1/2013 Colangelo
D782,139 S * 3/2017 Dooley D32/40
D797,460 S * 9/2017 Pellegrino D4/120
D833,096 S * 11/2018 Breheny D32/40
D836,275 S * 12/2018 Pellegrino D32/40
D836,276 S * 12/2018 Pellegrino D32/40
D841,910 S * 2/2019 Schmitz D32/40
2007/0107155 A1 5/2007 Kacher et al.
2012/0042467 A1 2/2012 Mandhai et al.

OTHER PUBLICATIONS

Tile & Grout Cleaning Turf Pad—14"×28" | CleanALL Supply,
website 2019, [https://www.cleanallsupply.com/catalog/p/ACS-TURF-14X28/Tile-and-Grout-Cleaning- . . .](https://www.cleanallsupply.com/catalog/p/ACS-TURF-14X28/Tile-and-Grout-Cleaning-...) site visited Nov. 11, 2019
(Year: 2019).*

* cited by examiner

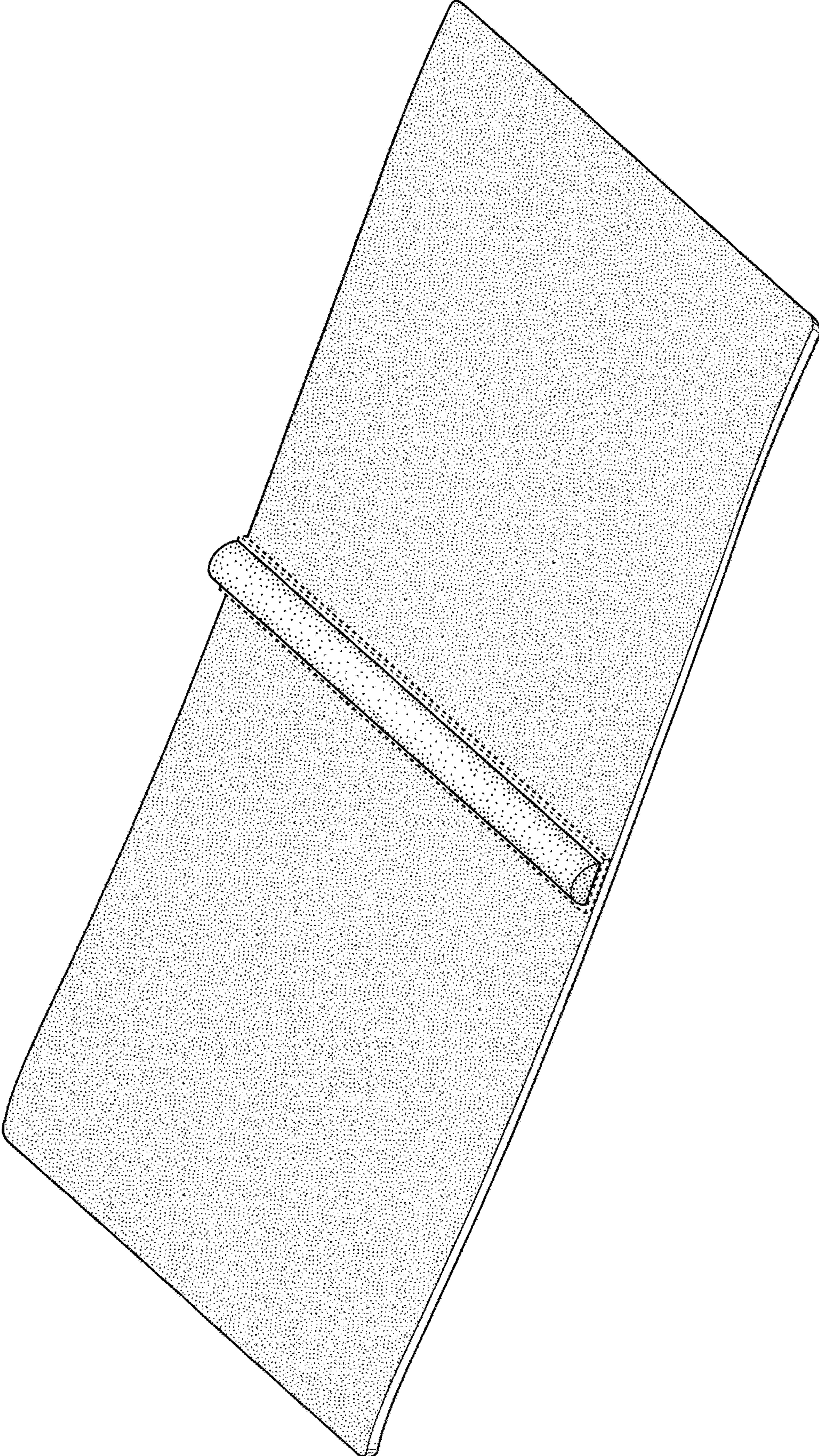


FIG. 1

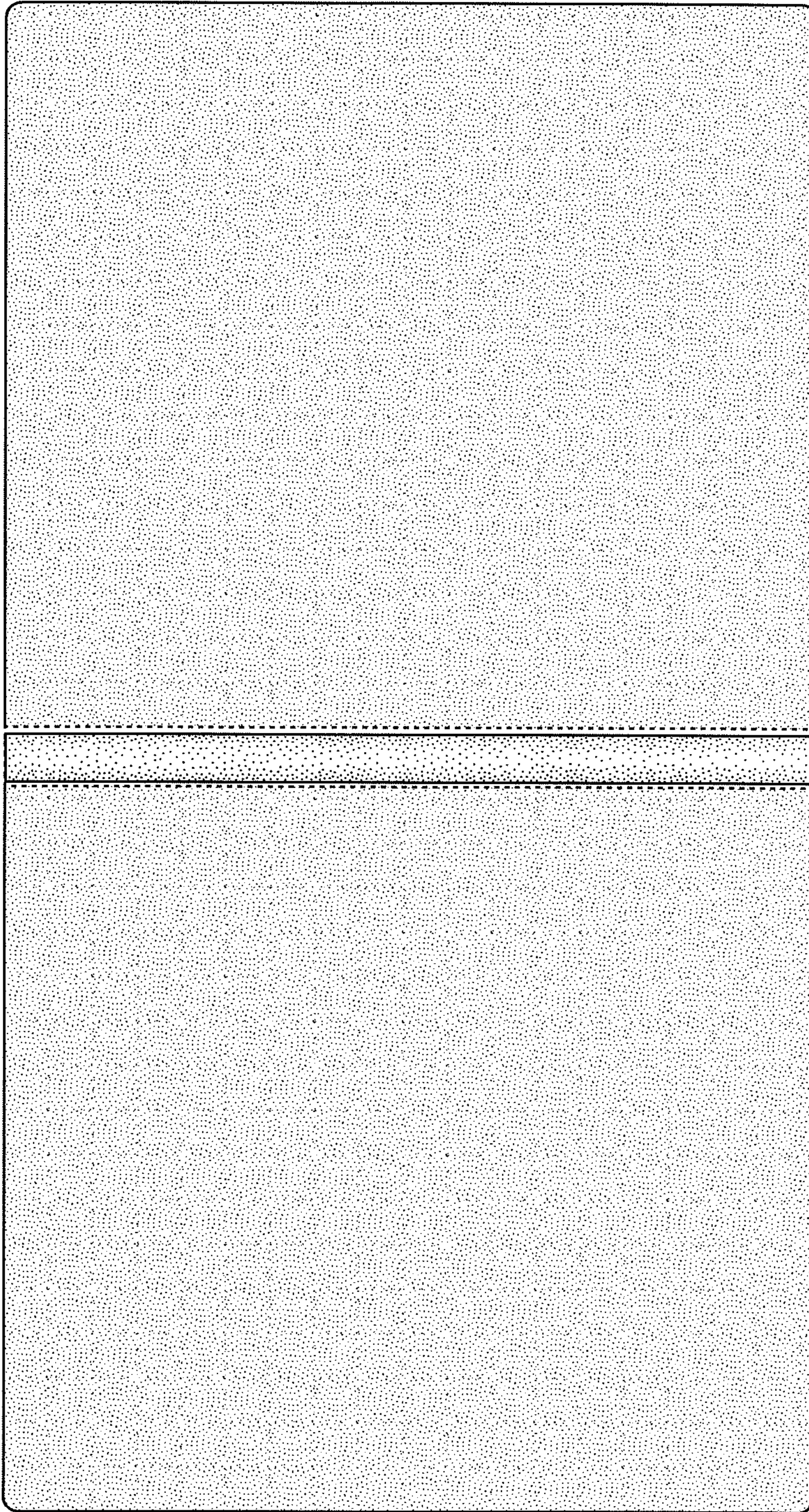


FIG. 2

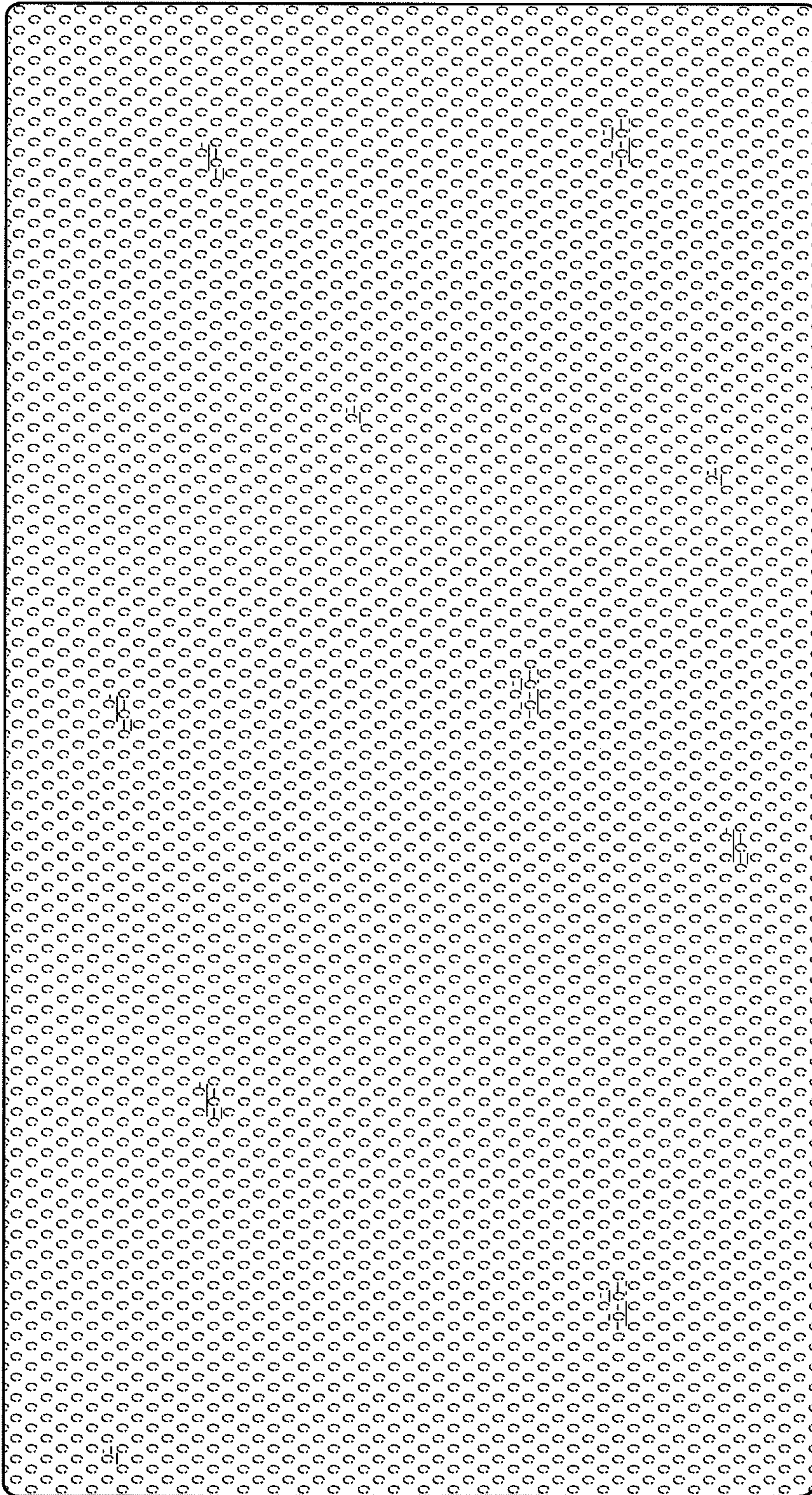


FIG. 3

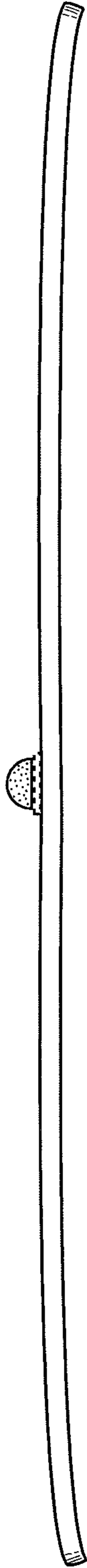


FIG. 4

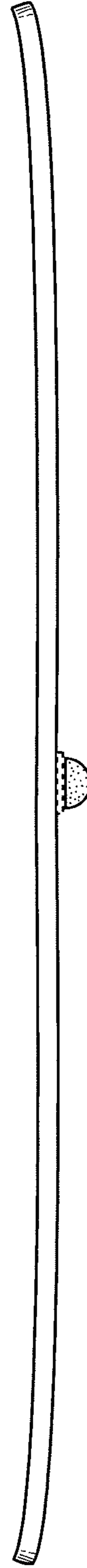


FIG. 5



FIG. 6

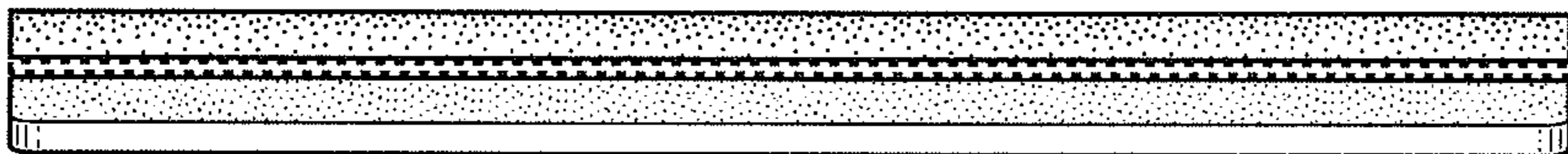


FIG. 7