



US00D906608S

(12) **United States Design Patent** (10) **Patent No.:** **US D906,608 S**  
**Li** (45) **Date of Patent:** **\*\* Dec. 29, 2020**

(54) **ROBOTIC VACUUM CLEANER**  
(71) Applicant: **Shenzhen WoMei Tech Co., Ltd.**,  
Shenzhen (CN)  
(72) Inventor: **ShaoJun Li**, Guangdong (CN)  
(\*\*) Term: **15 Years**  
(21) Appl. No.: **29/729,203**  
(22) Filed: **Mar. 25, 2020**  
(51) **LOC (12) Cl.** ..... **15-05**  
(52) **U.S. Cl.**  
USPC ..... **D32/21**  
(58) **Field of Classification Search**  
USPC ..... D32/15-25, 29, 31-34  
CPC ..... A47L 5/00; A47L 9/00; A47L 9/04; A47L  
9/06; A47L 9/16; A47L 9/28; A47L 9/30  
See application file for complete search history.

(56) **References Cited**  
**U.S. PATENT DOCUMENTS**  
D548,902 S \* 8/2007 Chun ..... D32/21  
7,441,298 B2 \* 10/2008 Svendsen ..... A47L 5/30  
15/49.1  
D658,341 S \* 4/2012 Nam ..... D32/21  
D660,530 S \* 5/2012 Geringer ..... D32/21  
D661,440 S \* 6/2012 Lee ..... D32/21  
D669,235 S \* 10/2012 Bassett ..... D32/21  
D682,495 S \* 5/2013 Kim ..... D32/21  
D690,478 S \* 9/2013 Li ..... D32/21

(Continued)

**OTHER PUBLICATIONS**

Bagotte BG800 Robot vacuum review (on-line), dated Apr. 18, 2019. Retrieved from Internet Jun. 3, 2020, URL: <https://the-gadgeteer.com/tag/vacuum/> (4 pages) (Year: 2019).\*

(Continued)

*Primary Examiner* — Kimberly Barnes  
(74) *Attorney, Agent, or Firm* — ZANIP

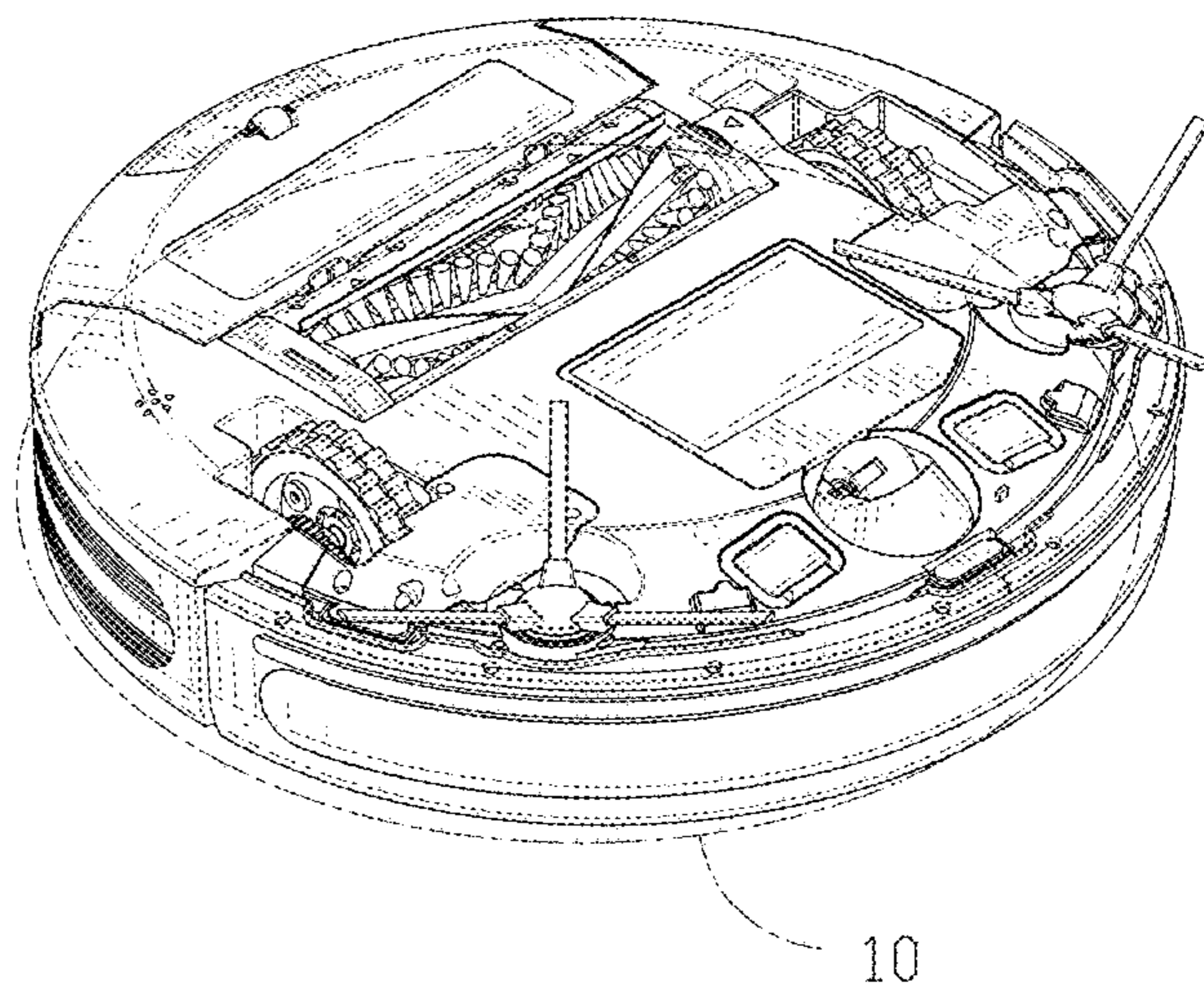
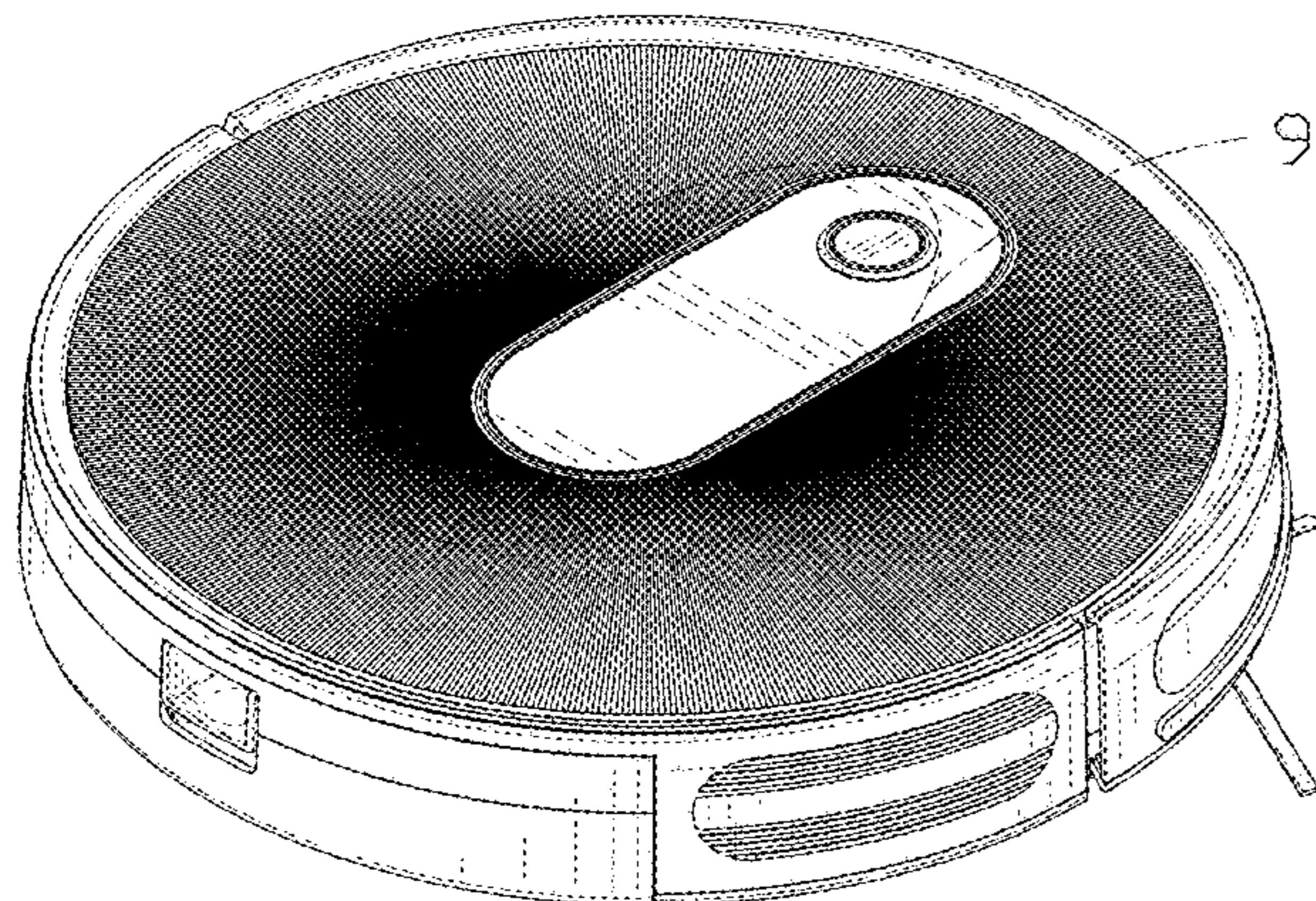
(57) **CLAIM**

The ornamental design for a robotic vacuum cleaner, as shown and described.

**DESCRIPTION**

FIG. 1 is a front and top perspective view of a first embodiment of a robotic vacuum cleaner, showing my new design;  
FIG. 2 is a rear and bottom perspective view thereof;  
FIG. 3 is a front elevational view thereof;  
FIG. 4 is a rear elevational view thereof;  
FIG. 5 is a left side elevational view thereof;  
FIG. 6 is a right side elevational view thereof;  
FIG. 7 is a top plan view thereof;  
FIG. 8 is a bottom plan view thereof;  
FIG. 9 is an enlarged view of a portion indicated in FIG. 1;  
FIG. 10 is an enlarged view of a portion indicated in FIG. 2;  
FIG. 11 is a front and top perspective view of a second embodiment of the robotic vacuum cleaner;  
FIG. 12 is a rear and bottom perspective view thereof;  
FIG. 13 is a front elevational view thereof;  
FIG. 14 is a rear elevational view thereof;  
FIG. 15 is a left side elevational view thereof;  
FIG. 16 is a right side elevational view thereof;  
FIG. 17 is a top plan view thereof;  
FIG. 18 is a bottom plan view thereof;  
FIG. 19 is an enlarged view of a portion indicated in FIG. 11; and,  
FIG. 20 is an enlarged view of a portion indicated in FIG. 12.  
The broken lines in the figures illustrate portions of the robotic vacuum cleaner that form no part of the claimed design. The dash dot dash lines in FIGS. 1, 2, 9, 10, 11, 12, 19 and 20 are for the purpose of depicting the cut line of the enlarged view and form no part of the claim.

**1 Claim, 20 Drawing Sheets**



(56)

## References Cited

## U.S. PATENT DOCUMENTS

8,584,305	B2 *	11/2013	Won	.....	A47L 5/30 15/319
8,741,013	B2 *	6/2014	Swett	.....	A47L 9/106 15/319
D771,884	S *	11/2016	Ninomiya	.....	D32/21
D835,869	S *	12/2018	Li	.....	D32/21
10,143,348	B2 *	12/2018	Machida	.....	A47L 9/10
D840,617	S *	2/2019	Dou	.....	D32/21
D843,671	S *	3/2019	Chei	.....	D32/21
10,222,805	B2 *	3/2019	Munich	.....	G05D 1/0246
10,349,798	B2 *	7/2019	Jun	.....	A47L 9/2852
D860,559	S	9/2019	Thackray et al.		
10,463,215	B2 *	11/2019	Morin	.....	A47L 9/2815
D869,109	S *	12/2019	Yu	.....	D32/21
D870,403	S *	12/2019	Ebrahimi Afrouzi	.....	D32/21
D870,994	S *	12/2019	Zhou	.....	D32/21
D871,694	S *	12/2019	Casini	.....	D32/21
D872,953	S *	1/2020	Ebrahimi Afrouzi	.....	D32/21
D876,035	S *	2/2020	Song	.....	D32/21
D884,298	S *	5/2020	Li	.....	D32/21
D885,698	S *	5/2020	Li	.....	D32/21
D885,699	S *	5/2020	Li	.....	D32/21
D890,457	S *	7/2020	Pearce	.....	D32/21
D893,819	S *	8/2020	Li	.....	D32/21
2016/0051110	A1 *	2/2016	Cao	.....	A47L 9/009 15/324
2019/0069744	A1 *	3/2019	Liggett	.....	A47L 9/2805
2019/0171222	A1 *	6/2019	Nan	.....	A47L 9/00
2019/0200823	A1 *	7/2019	Song	.....	A47L 9/30
2019/0350428	A1 *	11/2019	Hu	.....	A47L 11/4083
2020/0022553	A1 *	1/2020	Gill	.....	A47L 11/4025
2020/0037843	A1 *	2/2020	Fiebig	.....	A47L 9/2889

## OTHER PUBLICATIONS

Bagotte BG700 robot vacuum cleaner (on-line), dated Dec. 10, 2019. Retrieved from Internet Jun. 3, 2019, URL: <https://the-gadgeteer.com/2019/12/10/bagotte-bg700-robot-vacuum-cleaner-review/> (9 pages) (Year: 2019).\*

Bagotte BG600 Robot Vacuum Cleaner (on-line), reviewed Apr. 6, 2019. Retrieved from Internet Jun. 3, 2020, URL: <https://www.amazon.com/Bagotte-Cleaner-Self-Charging-Automatic-Hardwood/dp/B07MVTFZS7> (1 page) (Year: 2019).\*

Amarey A900 Smart Robot Vacuum Cleaner (on-line), dated Sep. 11, 2019. Retrieved from Internet Jun. 3, 2020, URL: <https://readwrite.com/2019/09/11/annarey-a900-smart-robot-vacuum-cleaner-connected-navigational-and-versatile/> (6 pages) (Year: 2019).\*

Eufy RoboVac 15C (on-line), no date available. Retrieved from Internet Jun. 3, 2020, URL: <https://www.amazon.com/eufy-Upgraded-Super-Thin-Self-Charging-Medium-Pile/dp/B07MPS81HR> (1 page).\*

Liebert C30B Robot Vacuum Cleaner (on-line), no date available. Retrieved from Internet Jun. 3, 2020, URL: <https://www.newegg.com/black-liebert-c30b-e30-robot-vacuum-cleaner/p/0UH-0049-00012#> (5 pages).\*

Proscenic 820P Robot Vacuum Cleaner (on-line), no date available. Retrieved from Internet Jun. 3, 2020, URL: <https://www.geekmaxi.com/en/robot-vacuum-cleaner-proscenic-820p-robot-vacuum-cleaner-with-wet-cleaning-function-eu-plug-1192.html> (13 pages).\*

The Best Robot Vacuums (on-line), dated Nov. 6, 2019. Retrieved from Internet Jun. 3, 2020, URL: <https://www.wired.com/gallery/best-robot-vacuums/> (7 pages) (Year: 2019).\*

Deenkee DK600 vacuum review (on-line), dated Aug. 1, 2019. Retrieved from Internet Jun. 3, 2020, URL: <https://www.youtube.com/watch?v=G-urnVIQVRf8> (1 page) (Year: 2019).\*

\* cited by examiner

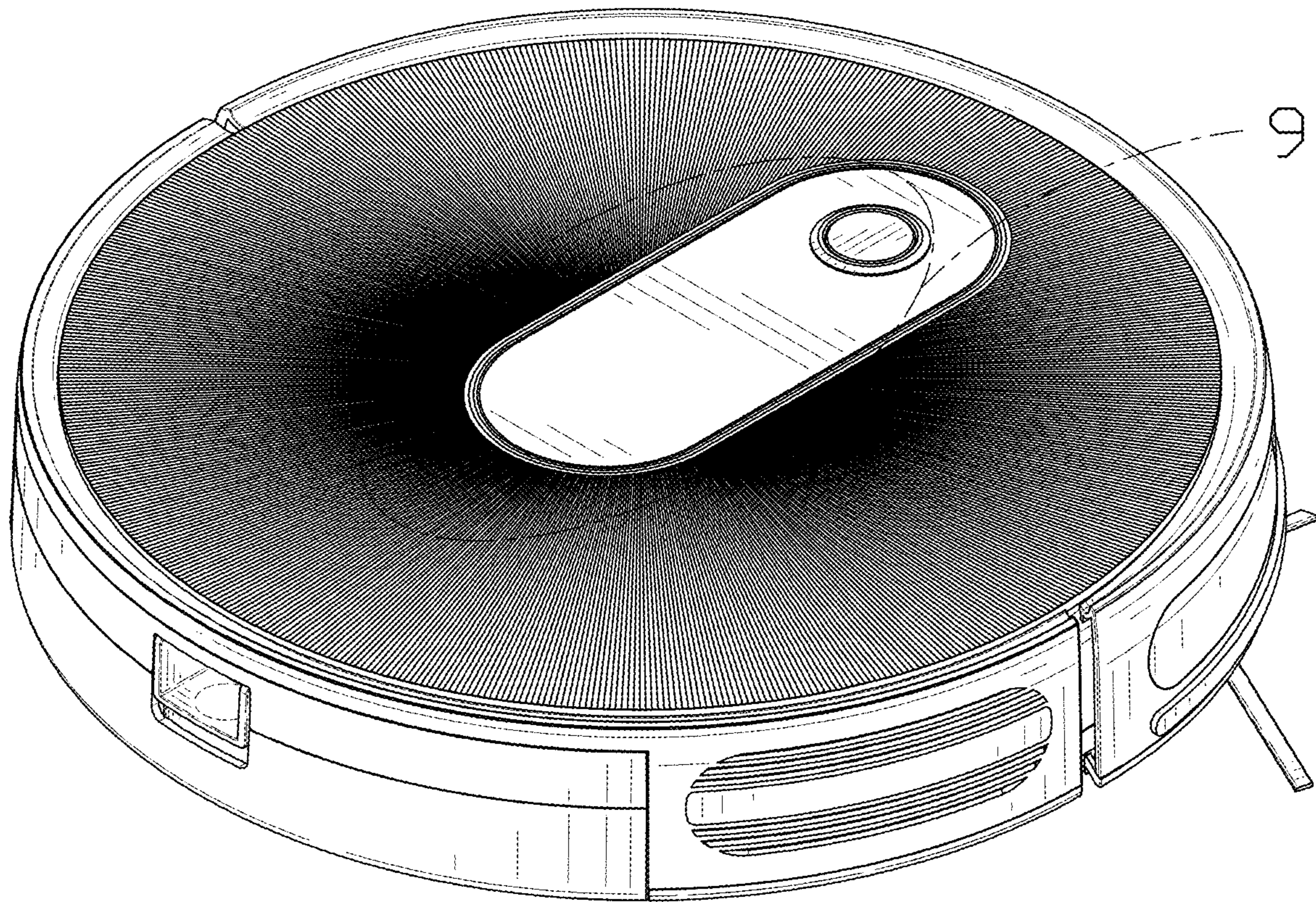


FIG. 1

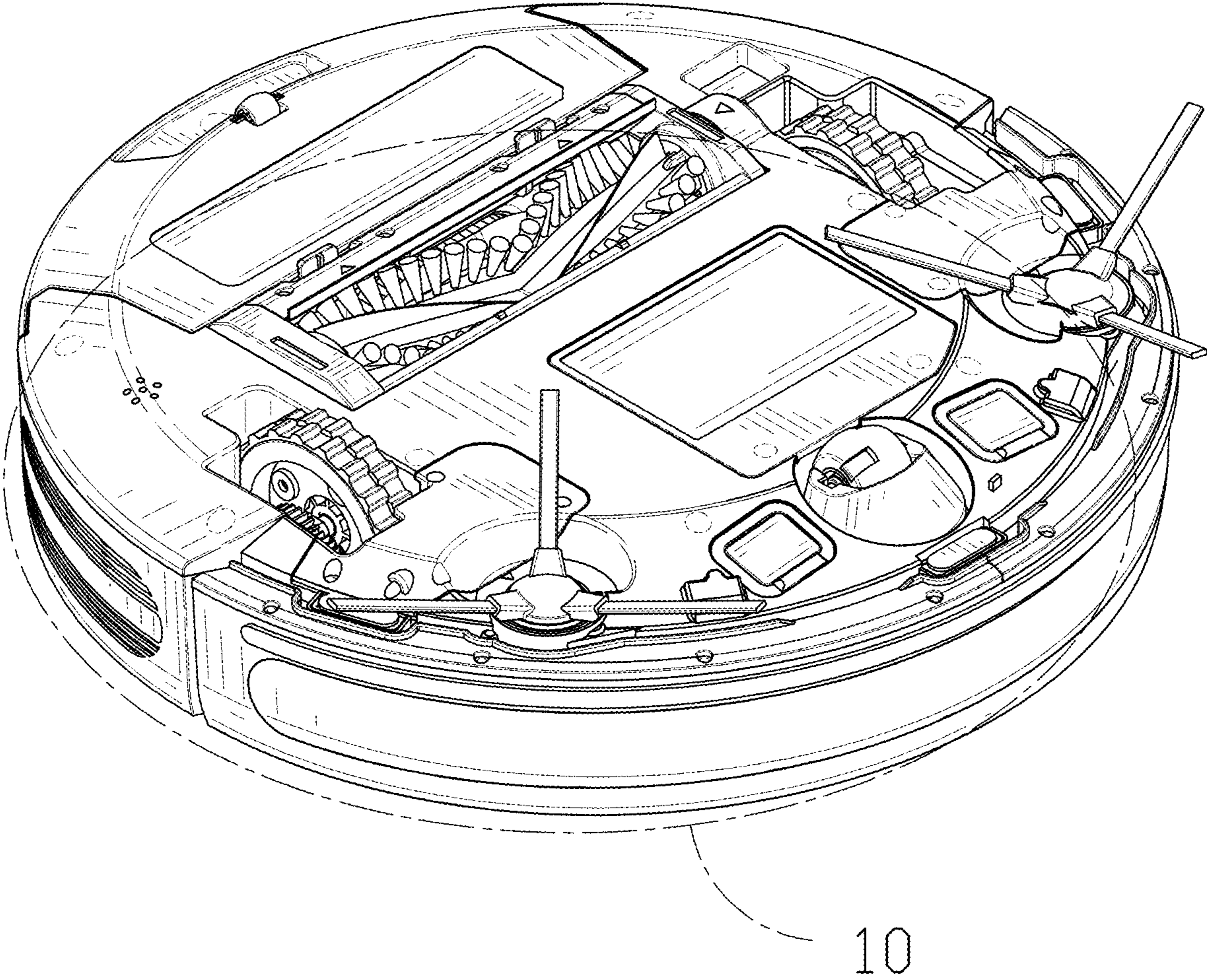


FIG. 2

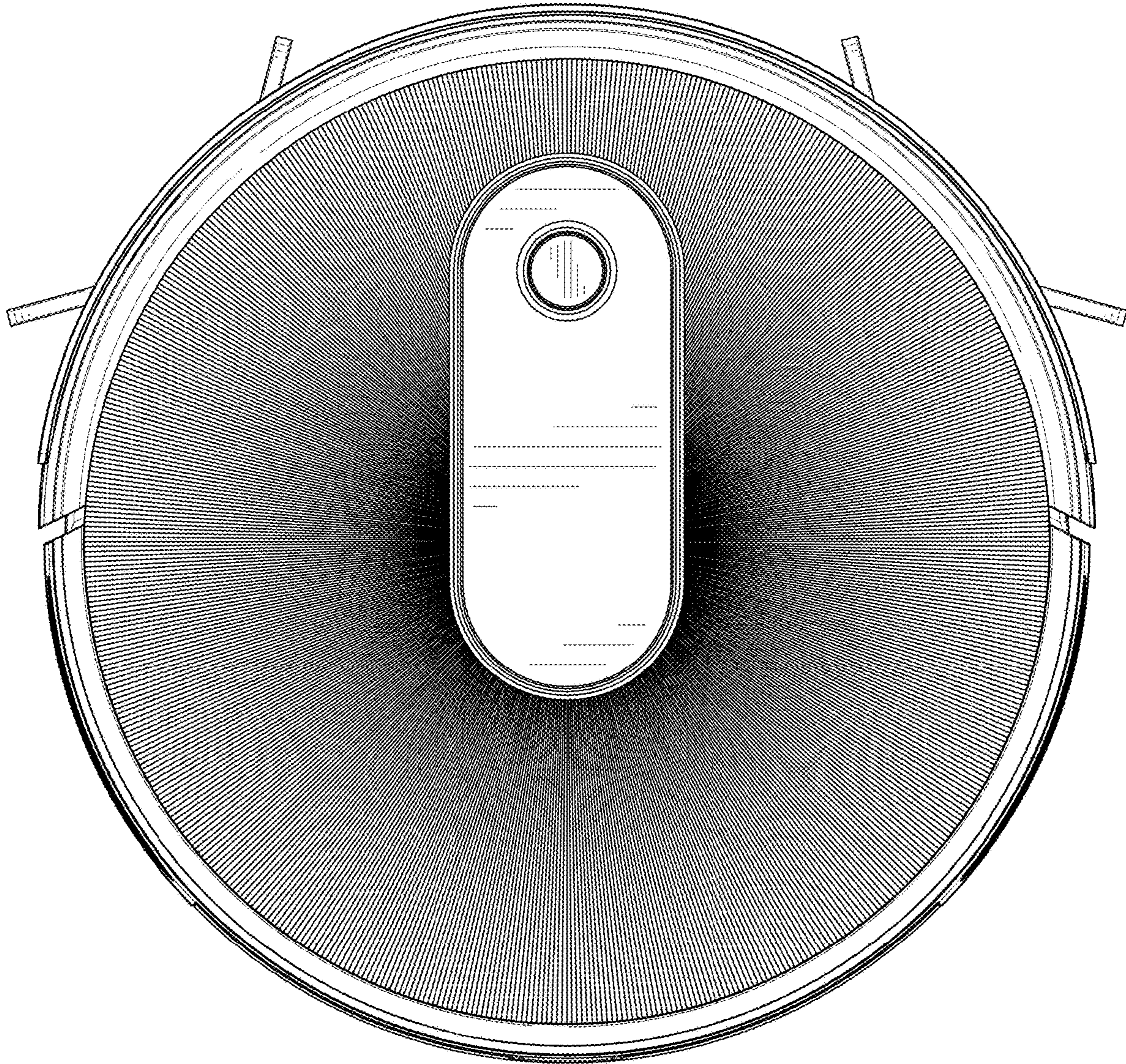


FIG. 3

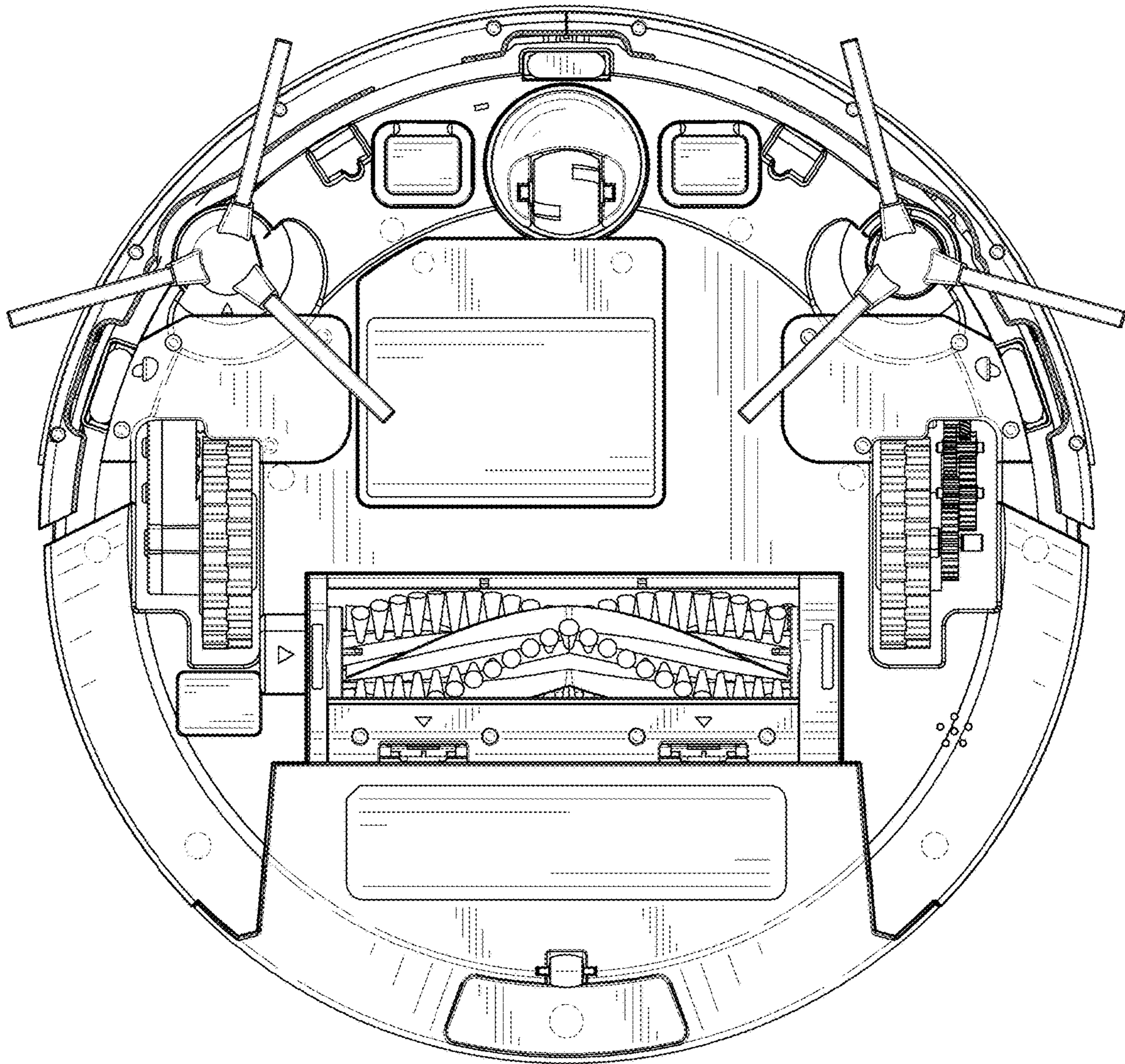


FIG. 4

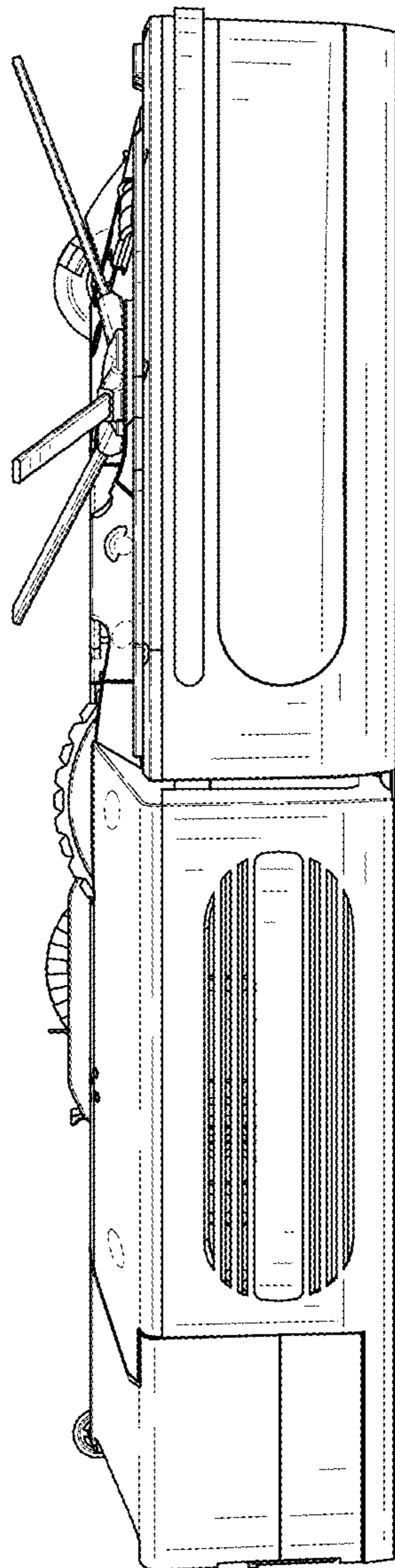


FIG. 5

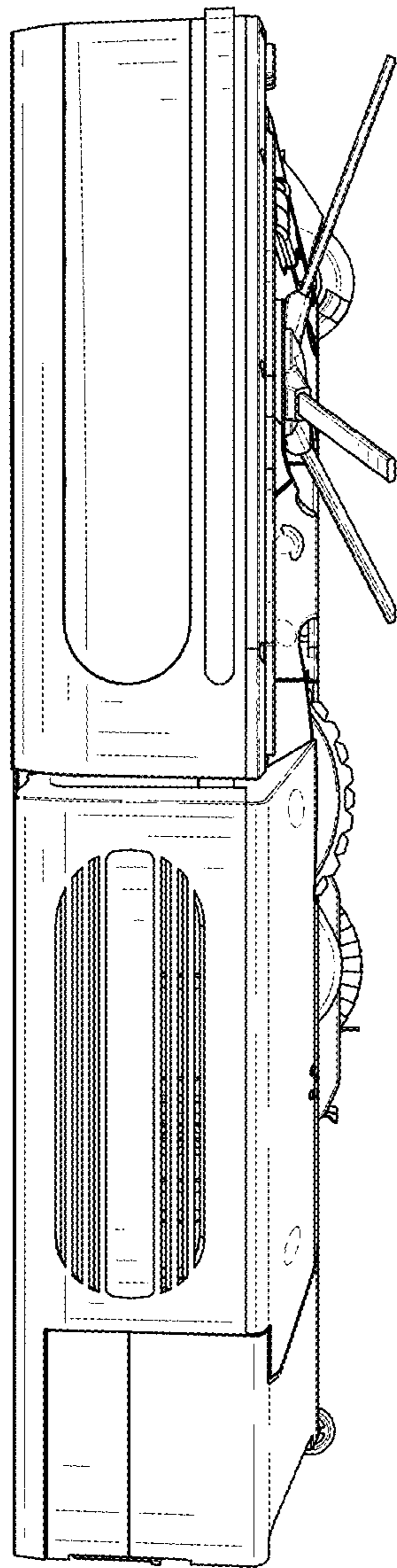


FIG. 6



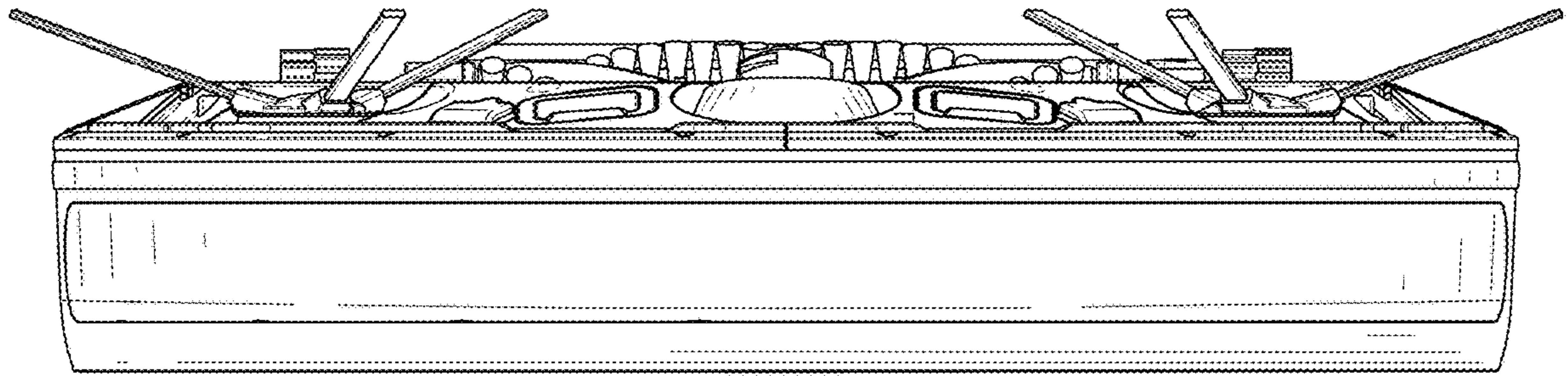


FIG. 7

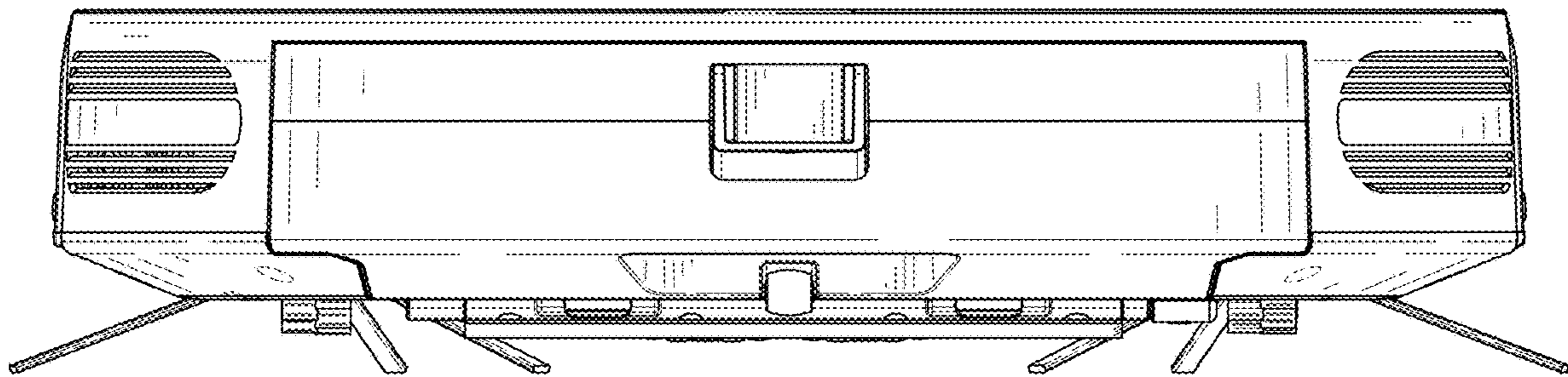


FIG. 8

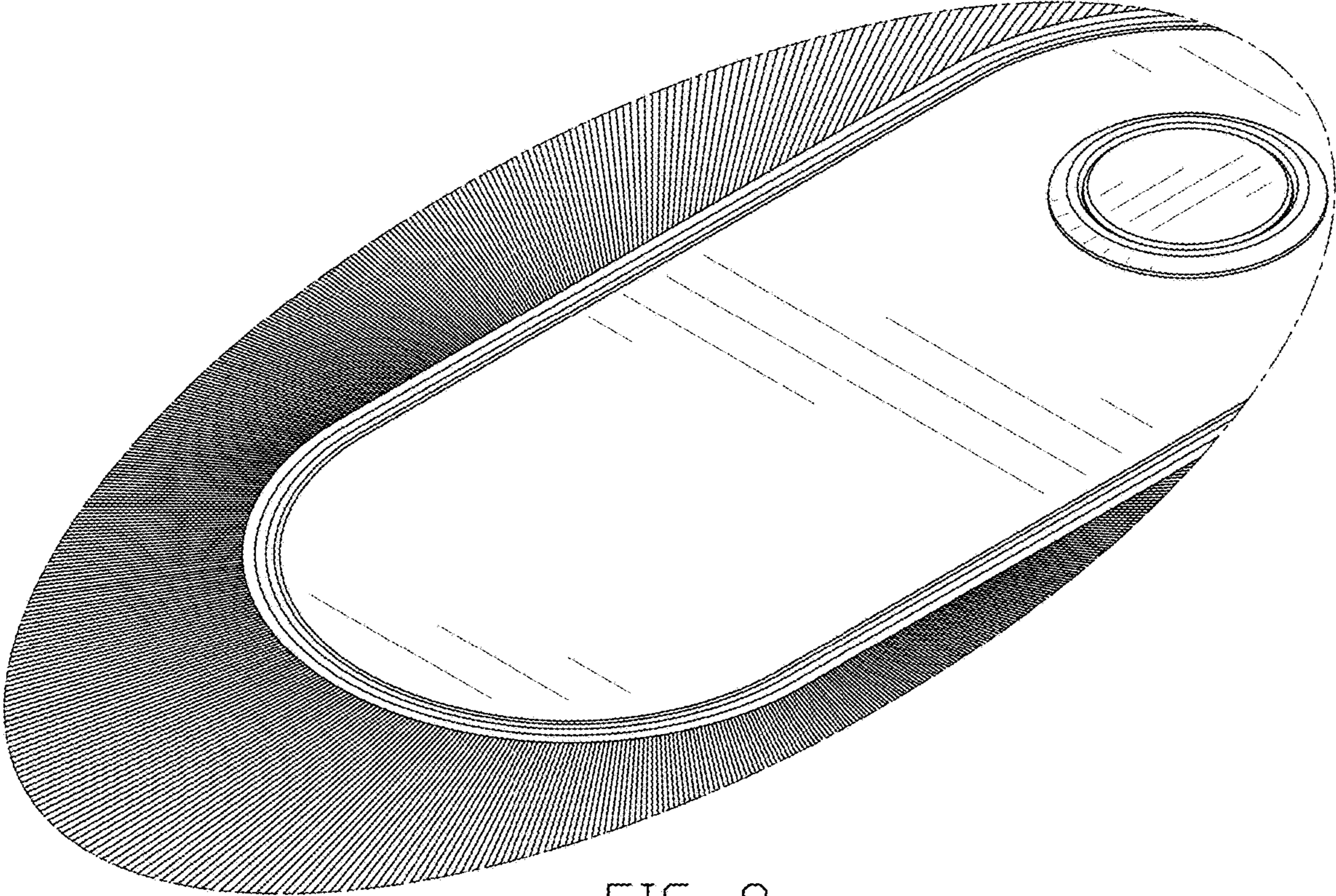


FIG. 9

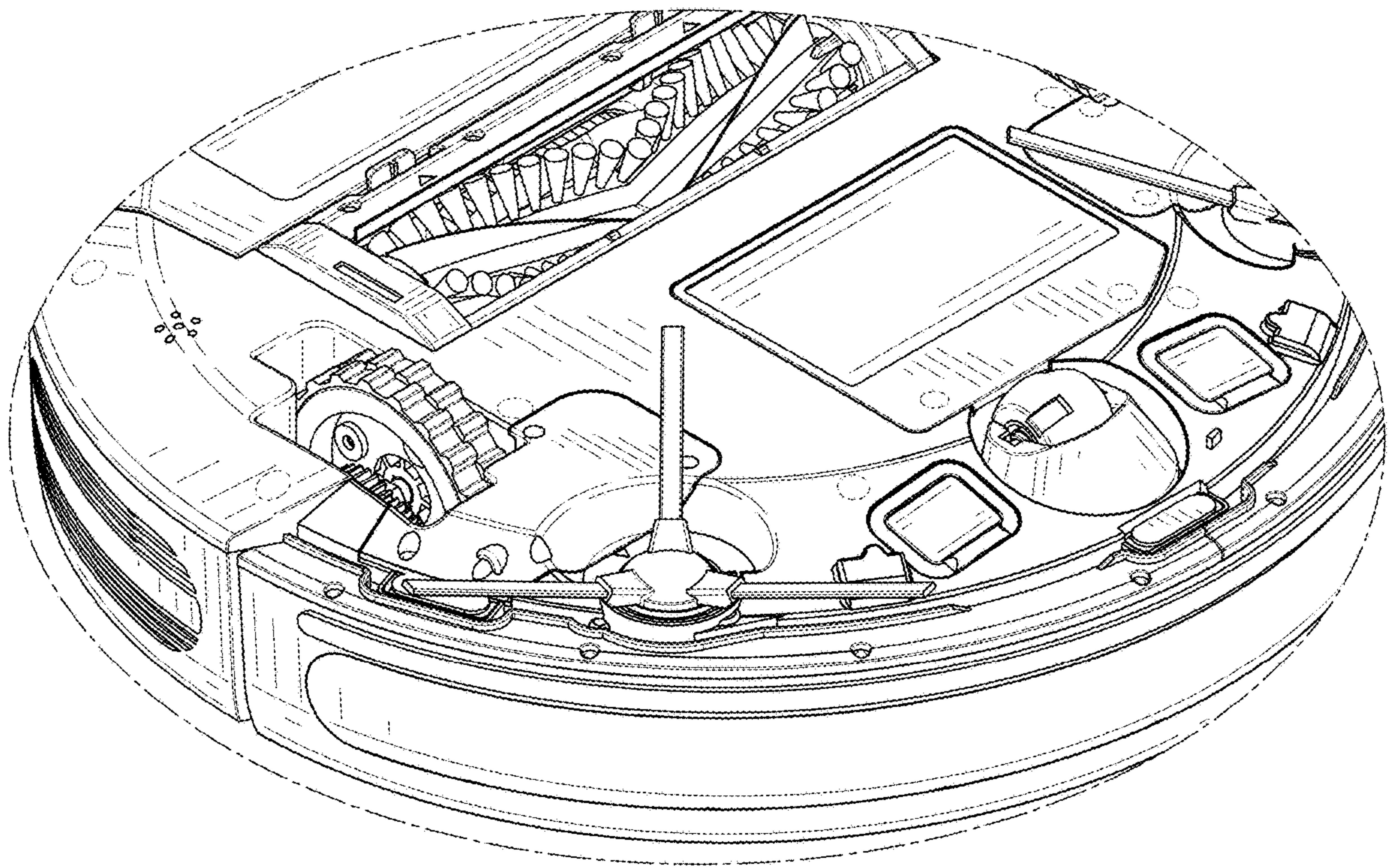


FIG. 10

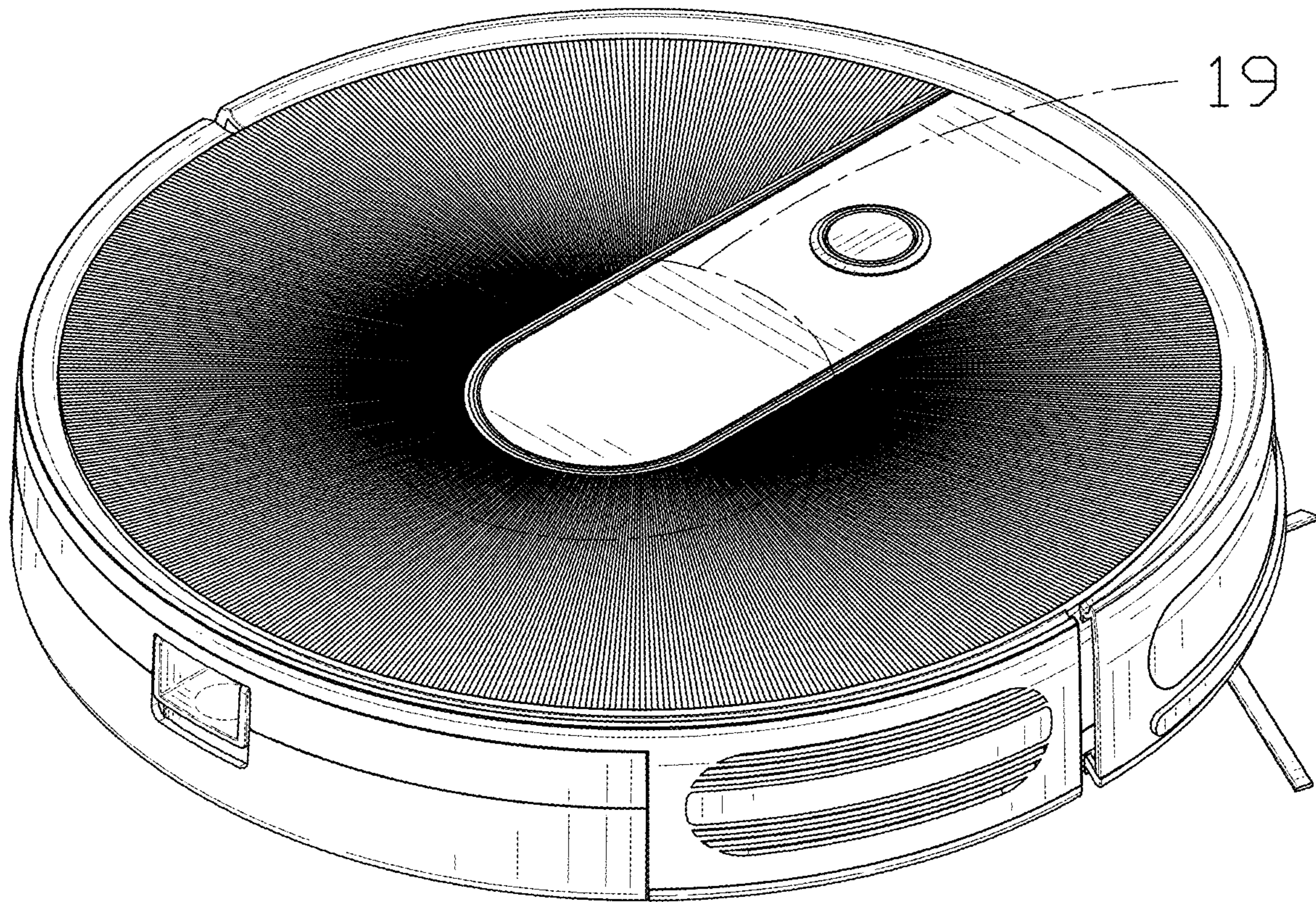


FIG. 11

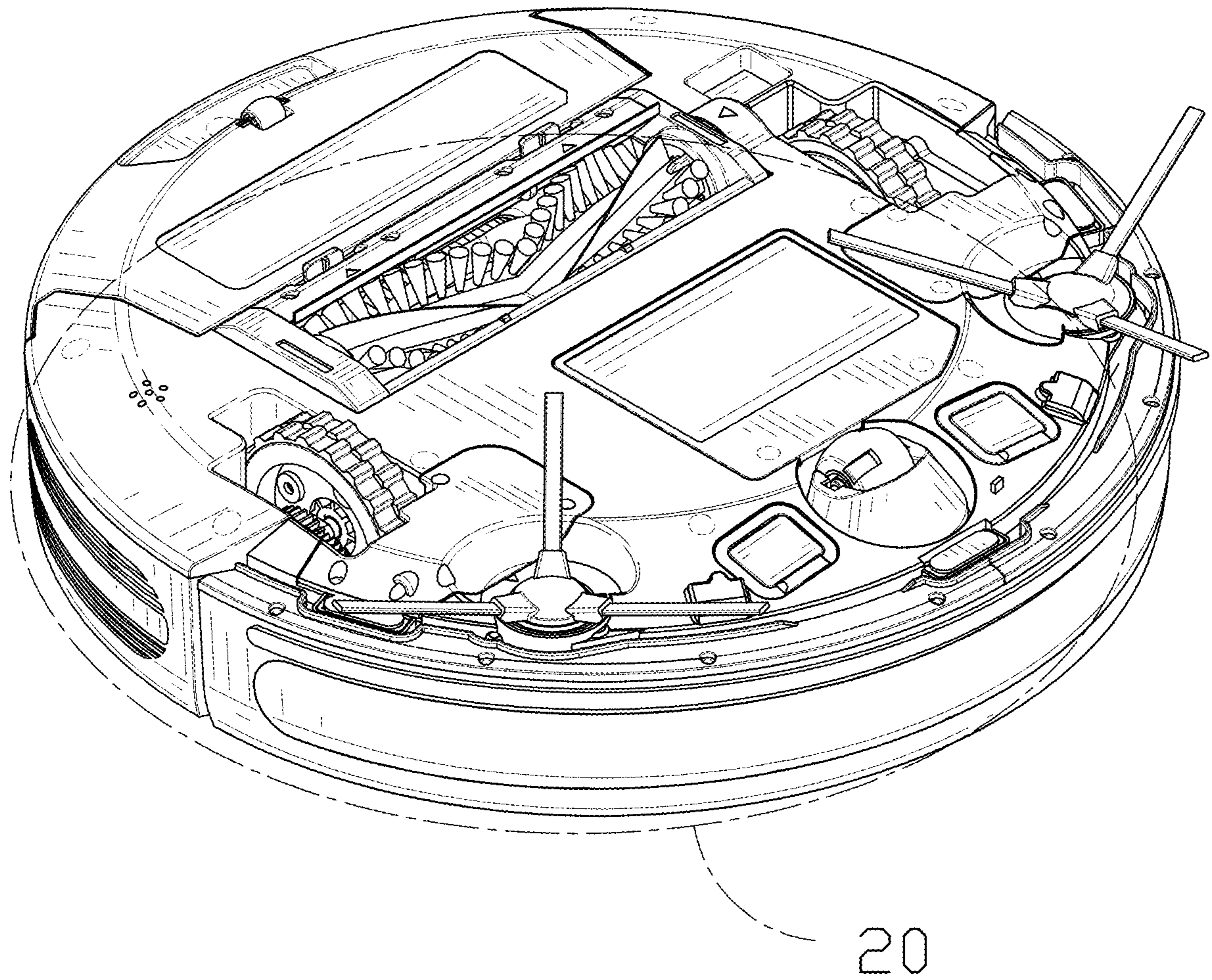


FIG. 12

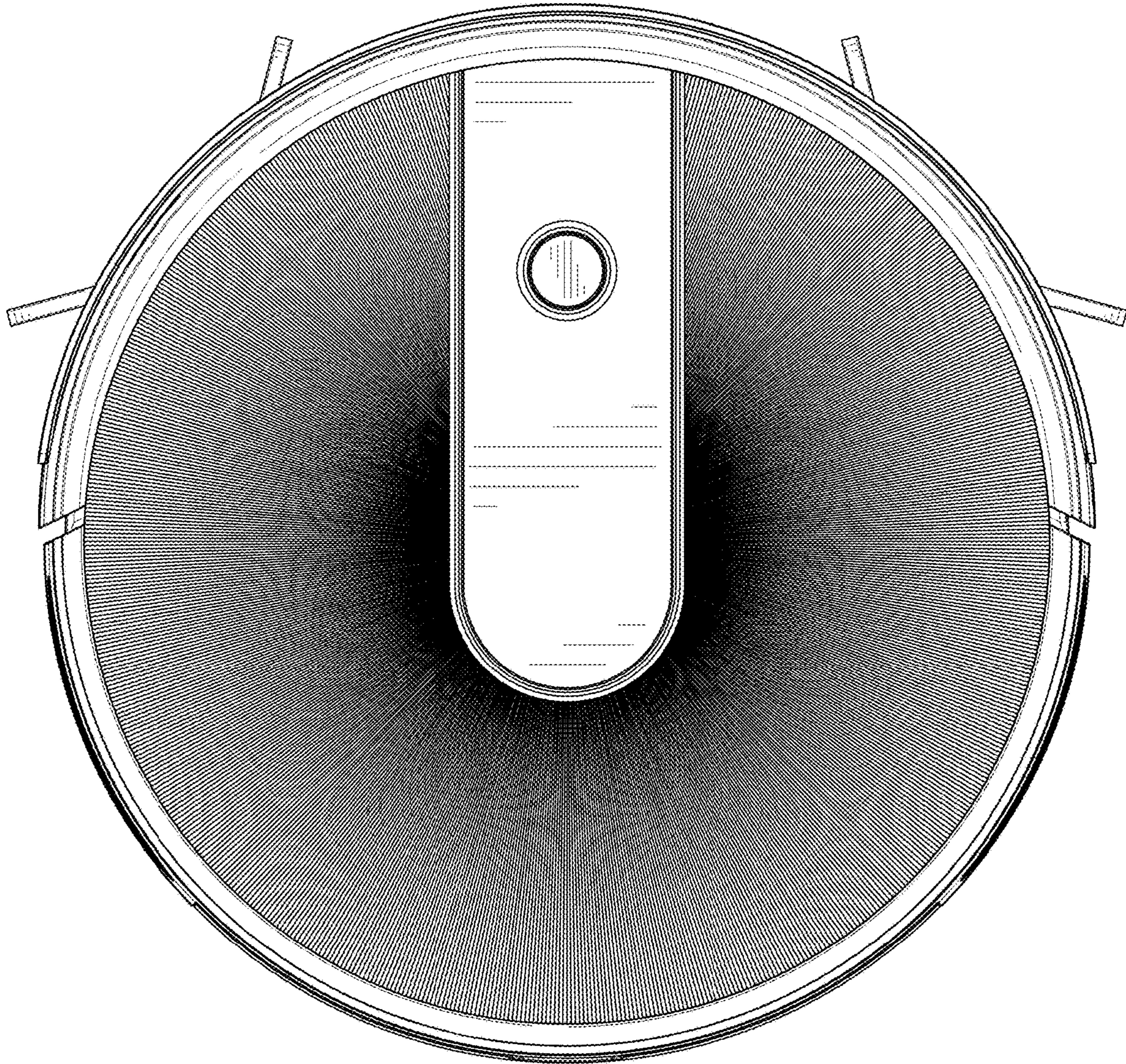


FIG. 13

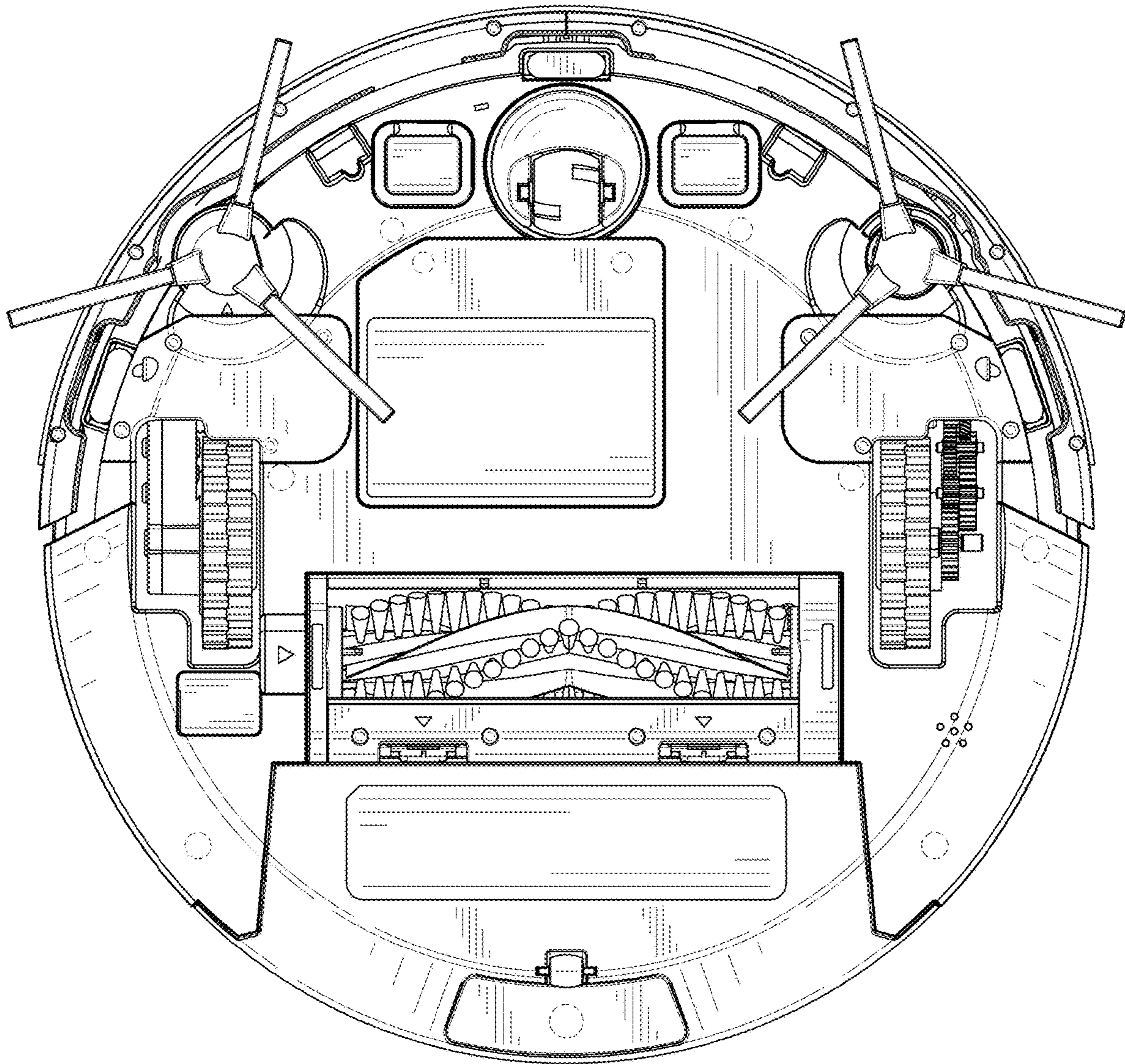


FIG. 14



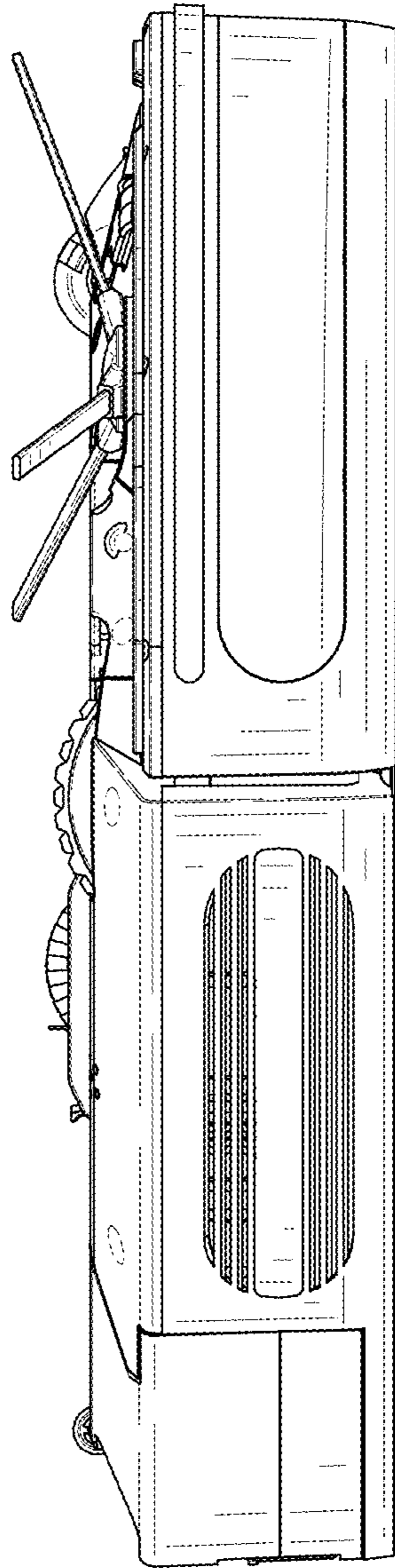


FIG. 15

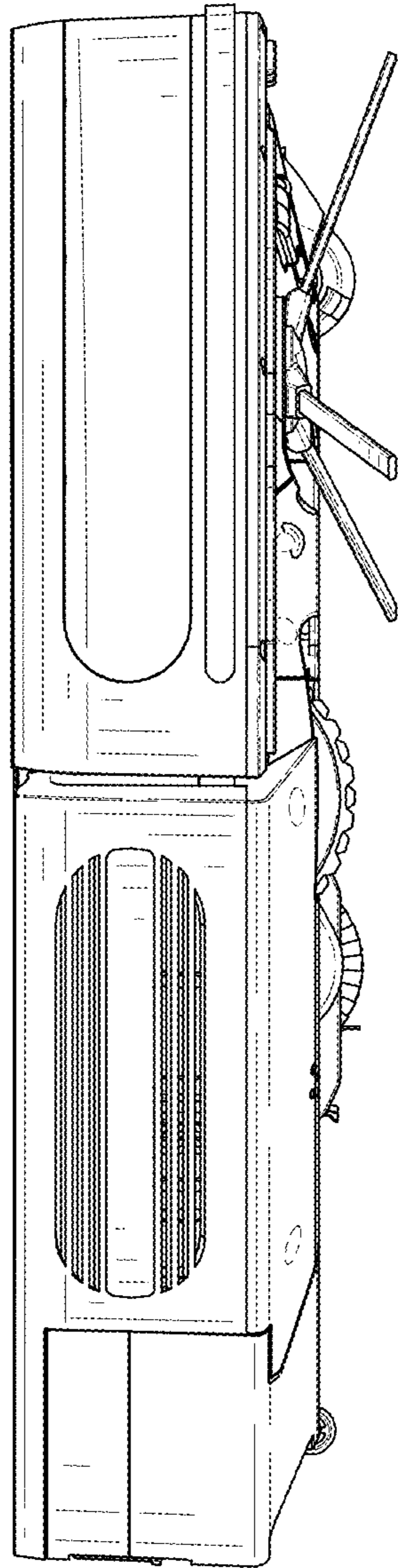


FIG. 16

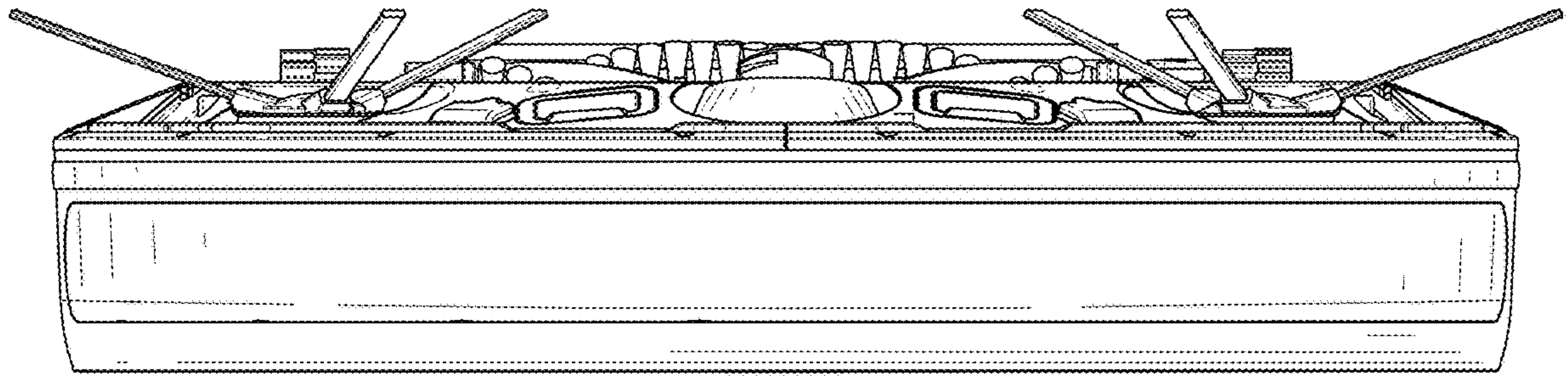


FIG. 17

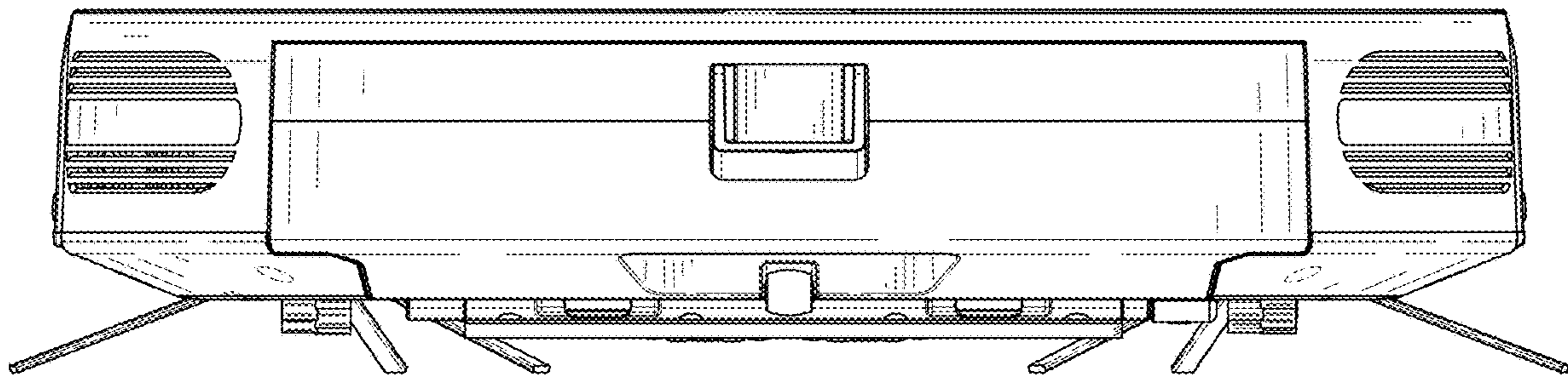


FIG. 18

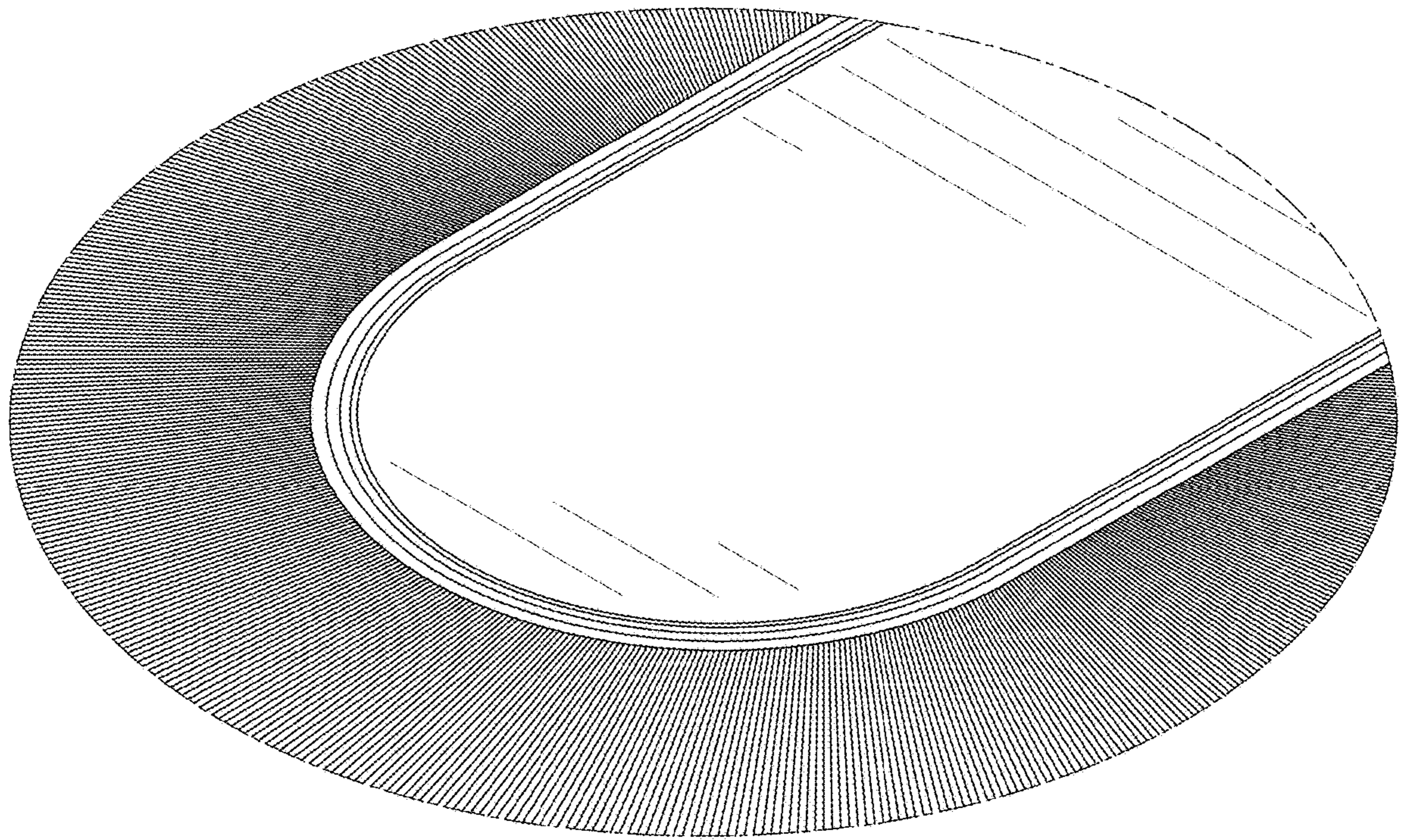


FIG. 19

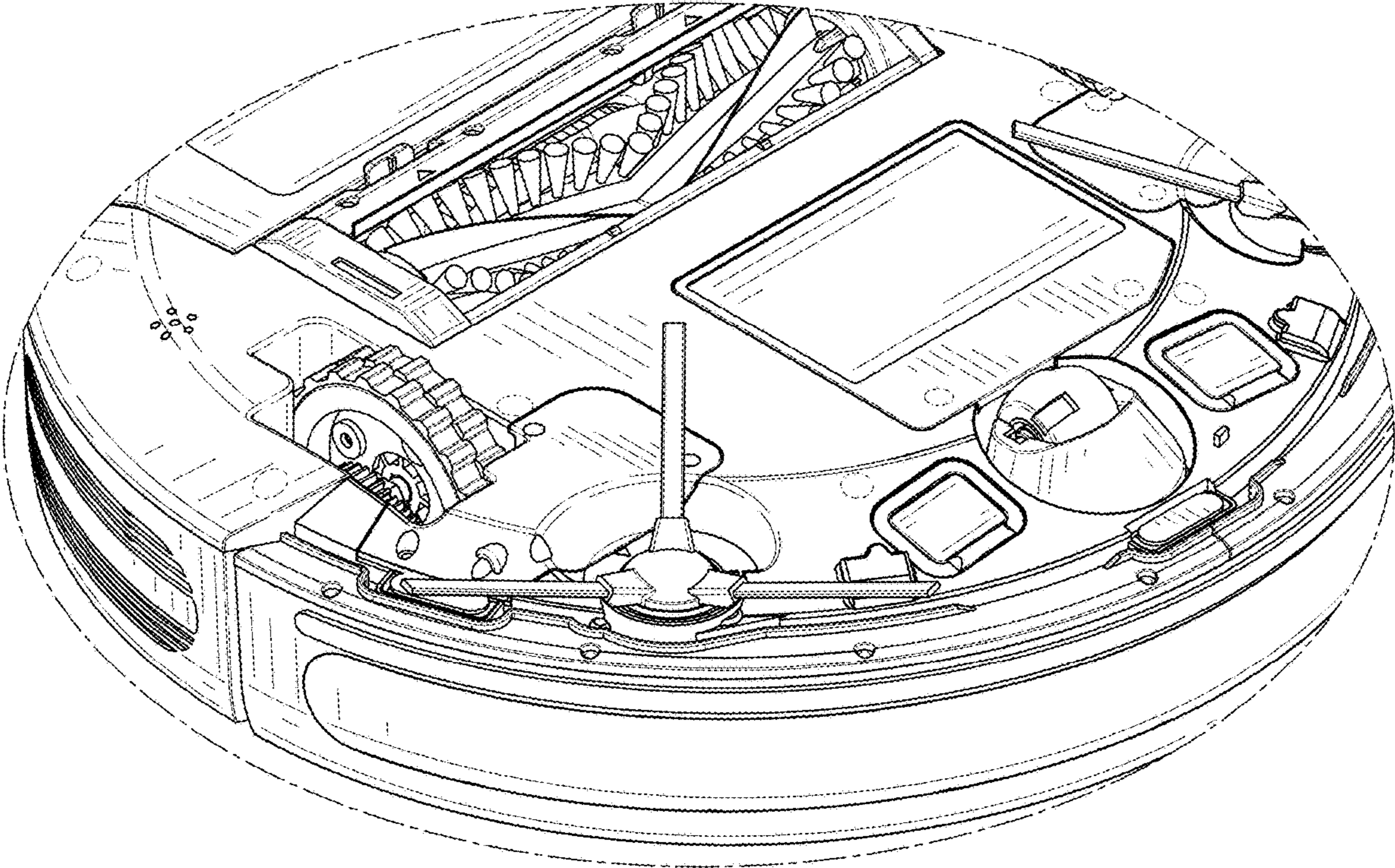


FIG. 20