



US00D906606S

(12) **United States Design Patent**
Zeng

(10) **Patent No.:** **US D906,606 S**

(45) **Date of Patent:** **** Dec. 29, 2020**

(54) **STEAM CLEANER**

(71) Applicant: **XIAMEN MEIDALE TECHNOLOGY CO., LTD.**, Xiamen (CN)

(72) Inventor: **Weihong Zeng**, Xiamen (CN)

(73) Assignee: **XIAMEN MEIDALE TECHNOLOGY CO., LTD.**, Xiamen (CN)

(**) Term: **15 Years**

(21) Appl. No.: **29/741,363**

(22) Filed: **Jul. 13, 2020**

(51) **LOC (12) Cl.** **15-05**

(52) **U.S. Cl.**
USPC **D32/17**

(58) **Field of Classification Search**
USPC D32/17, 18, 21, 2, 31
CPC D06F 87/00; D06F 75/06; D06F 73/00;
F22B 1/284; F24F 6/025; B44C 7/027;
A47L 11/34
See application file for complete search history.

(56) **References Cited**

U.S. PATENT DOCUMENTS

D338,989 S	*	8/1993	Ambrosiano	D32/15
D445,973 S	*	7/2001	Chen	D32/21
D452,051 S	*	12/2001	Antonio	D32/17
D471,682 S	*	3/2003	Chen	D32/21
D489,499 S	*	5/2004	Buzzi	D32/17
D499,517 S	*	12/2004	Chen	D32/17

D500,180 S	*	12/2004	Meyer	D32/17
D501,587 S	*	2/2005	Hopper	D32/17
D504,198 S	*	4/2005	Hopper	D32/17
D505,526 S	*	5/2005	Tsen	D32/21
D519,249 S	*	4/2006	Liu	D32/21
D520,196 S	*	5/2006	Liu	D32/21
D522,192 S	*	5/2006	Liu	D32/21
D530,468 S	*	10/2006	Lee	D32/21
D531,768 S	*	11/2006	Lee	D32/21
D652,185 S	*	1/2012	Mu	D32/21
D707,901 S	*	6/2014	Israel	D32/17
D719,308 S	*	12/2014	Israel	D32/17
D746,967 S		1/2016	Lee et al.		
D866,101 S		11/2019	Meyer		

* cited by examiner

Primary Examiner — Michelle E. Wilson

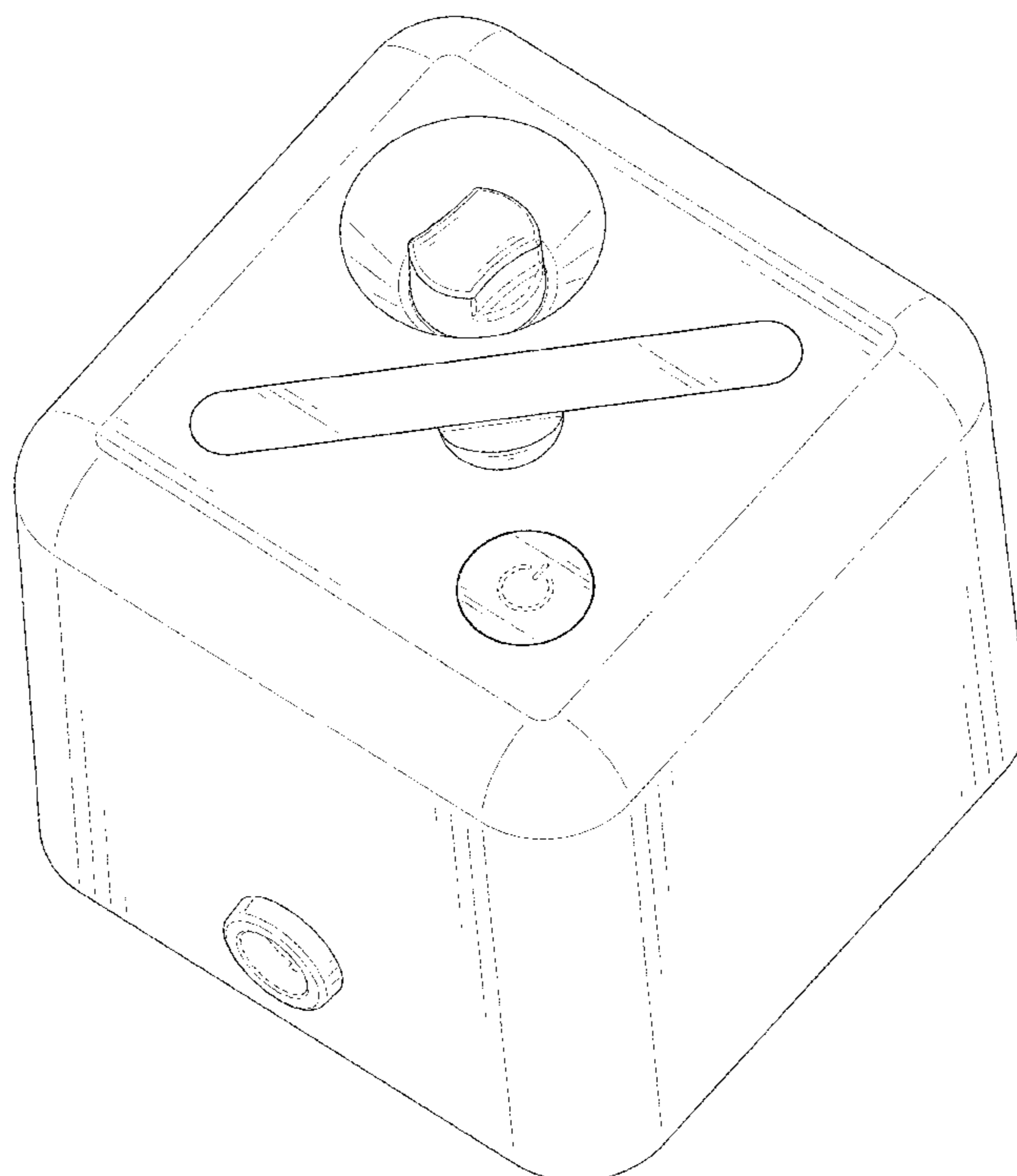
(57) **CLAIM**

The ornamental design for a steam cleaner, as shown and described.

DESCRIPTION

FIG. 1 is a perspective view of a steam cleaner showing my new design;
FIG. 2 is another perspective view thereof;
FIG. 3 is a front elevational view thereof;
FIG. 4 is a rear elevational view thereof;
FIG. 5 is a left side elevational view thereof;
FIG. 6 is a right side elevational view thereof;
FIG. 7 is a top plan view thereof; and,
FIG. 8 is a bottom plan view thereof.
The broken lines in the drawings depict portions of the steam cleaner that form no part of the claimed design.

1 Claim, 8 Drawing Sheets



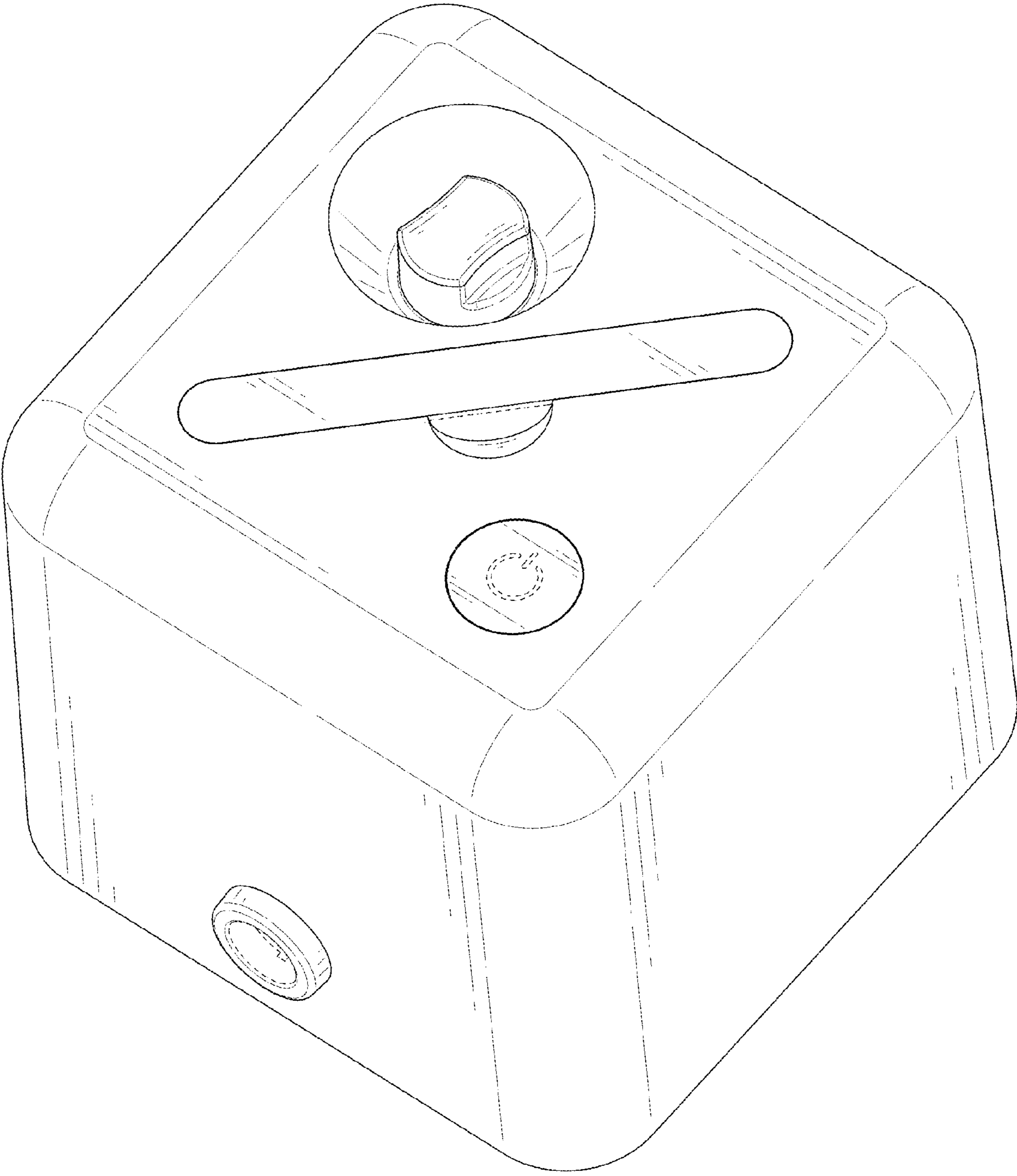


FIG. 1

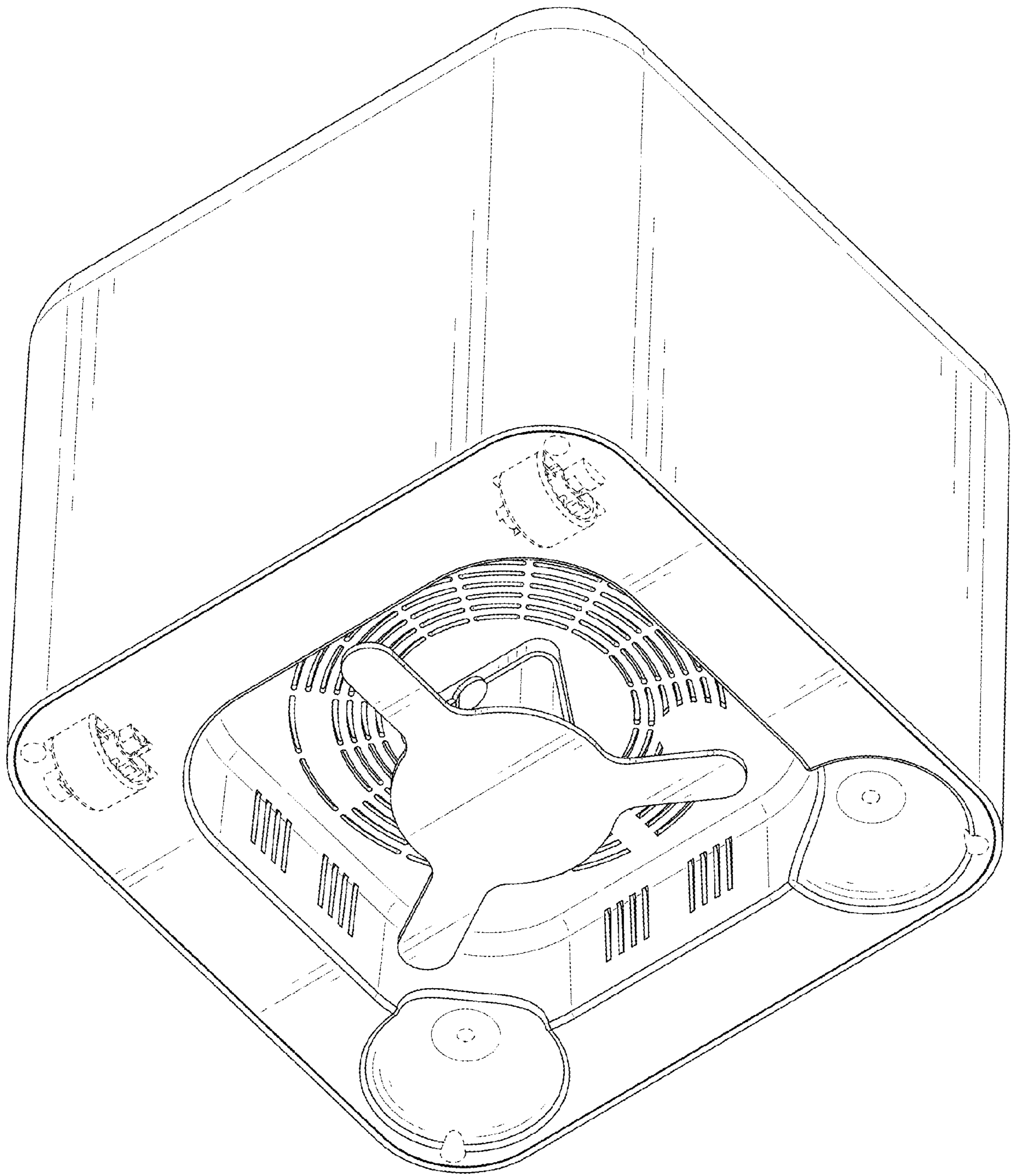


FIG. 2

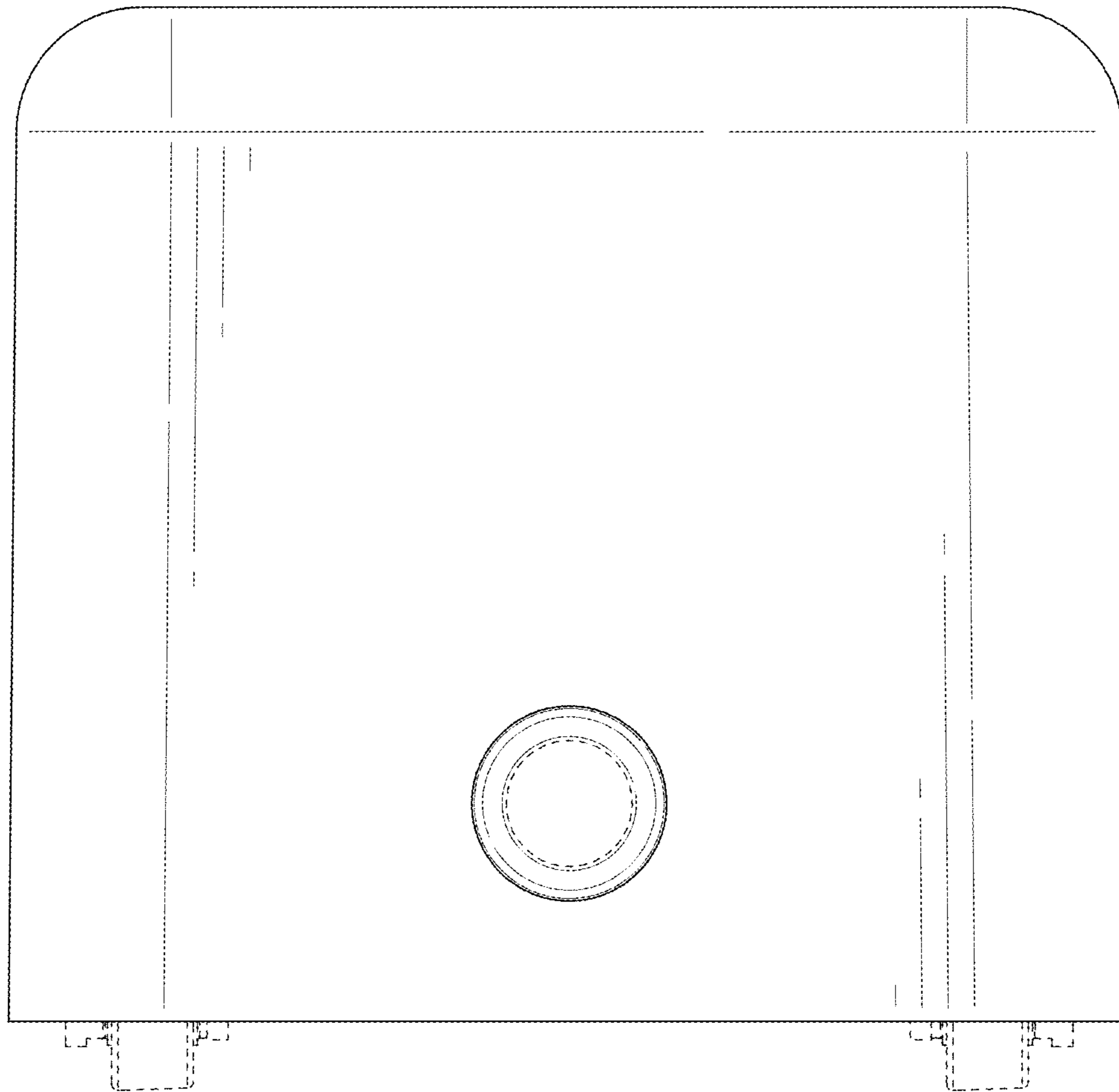


FIG. 3

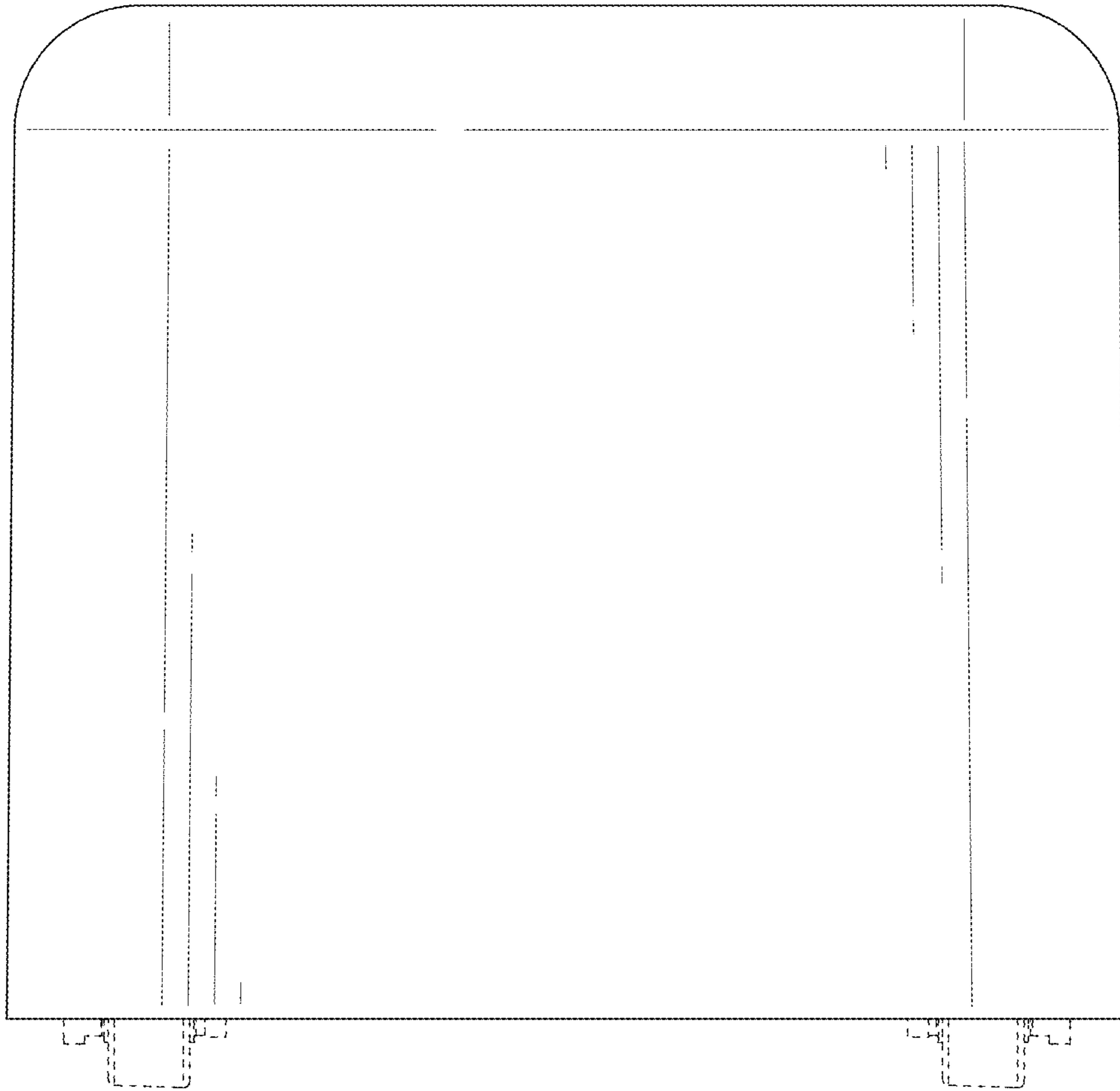


FIG. 4

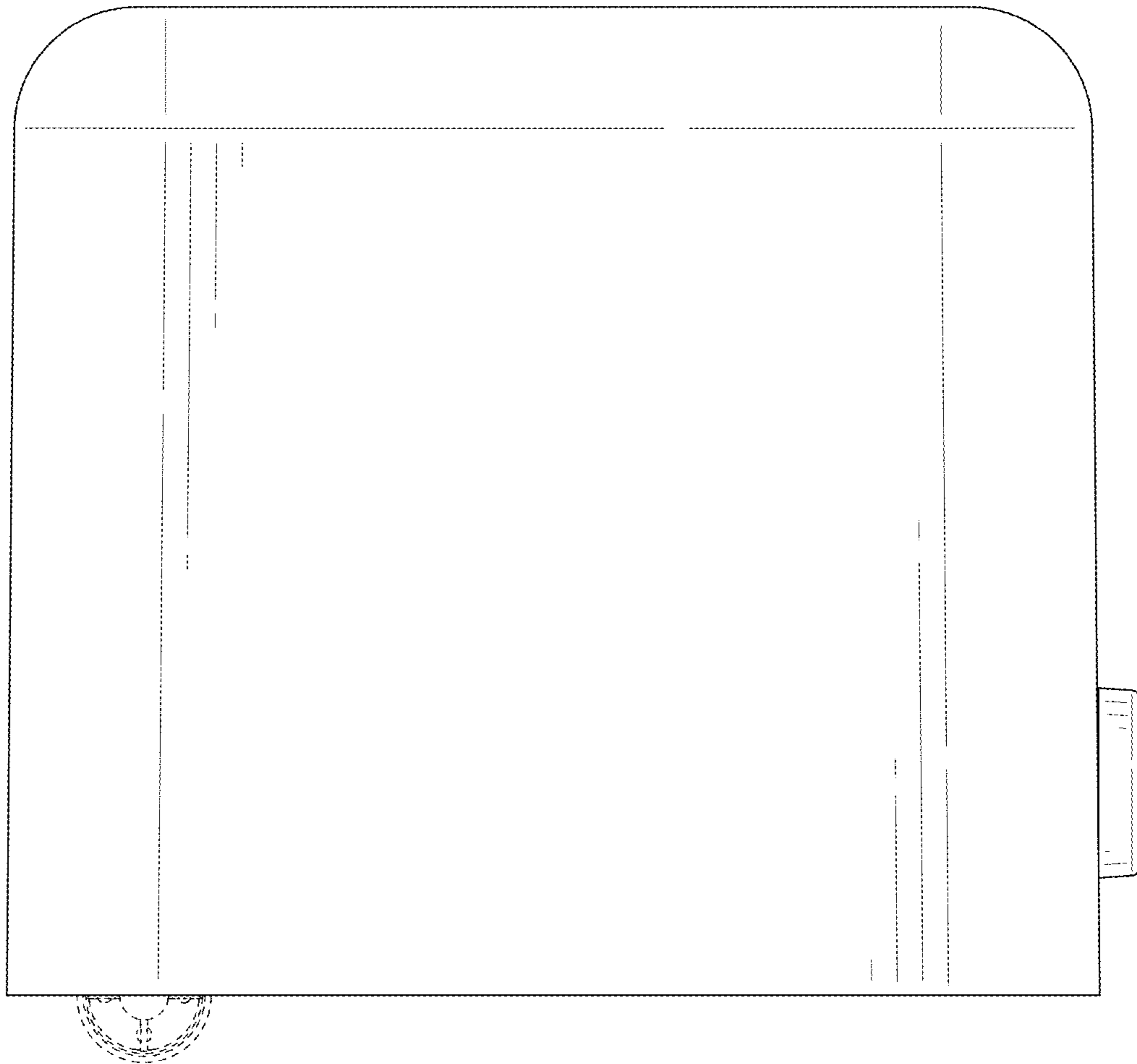


FIG. 5

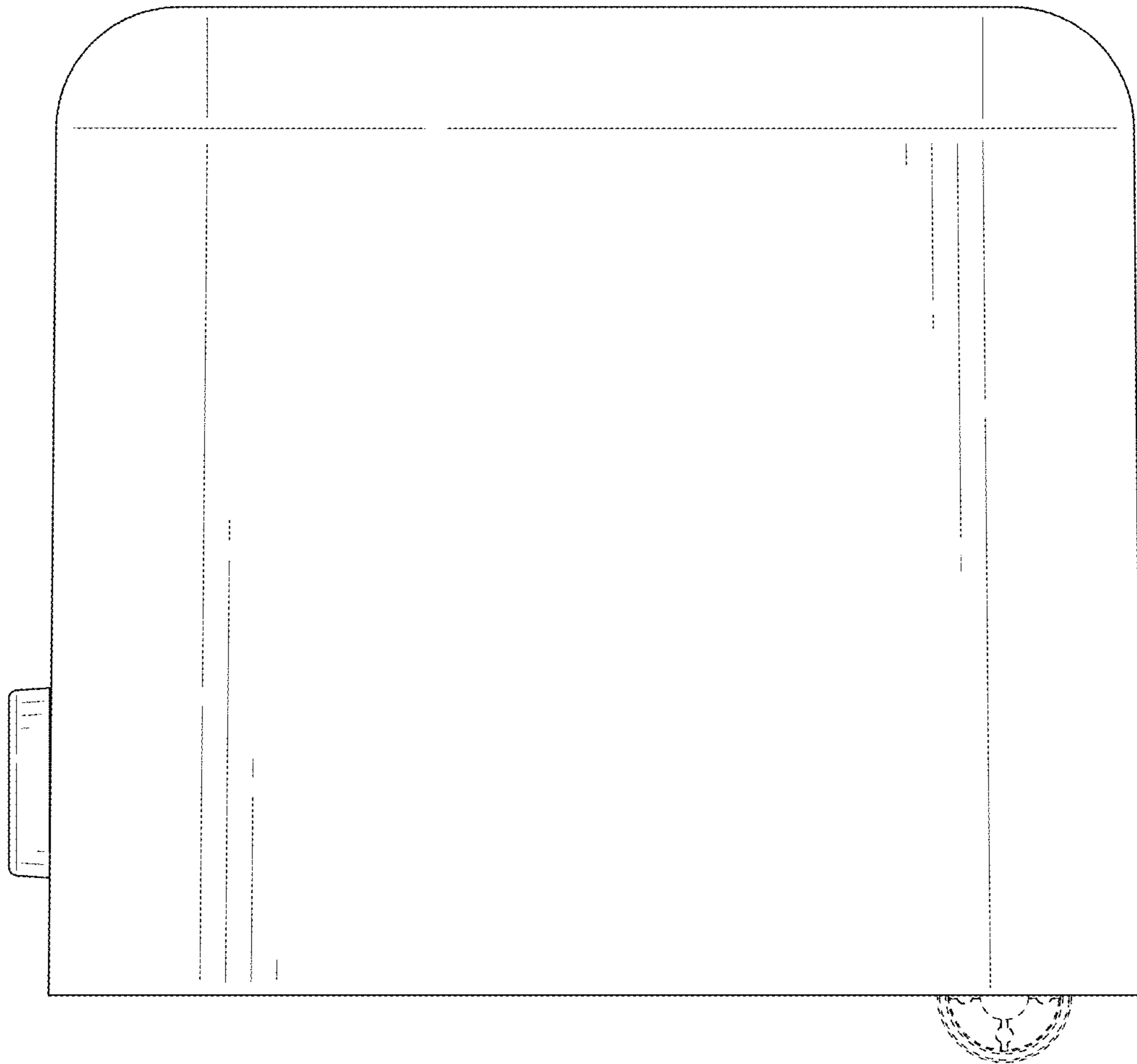


FIG. 6

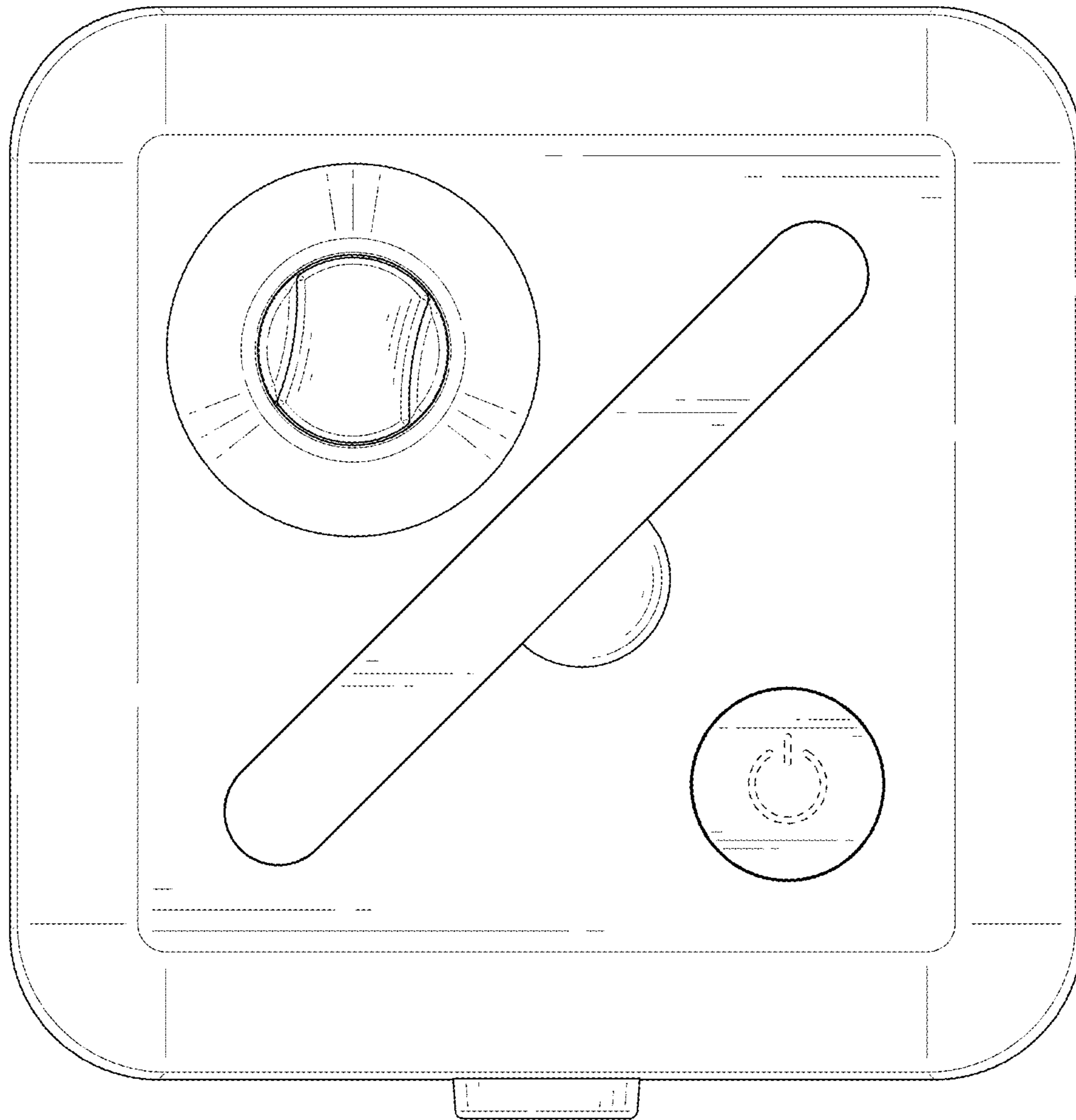


FIG. 7

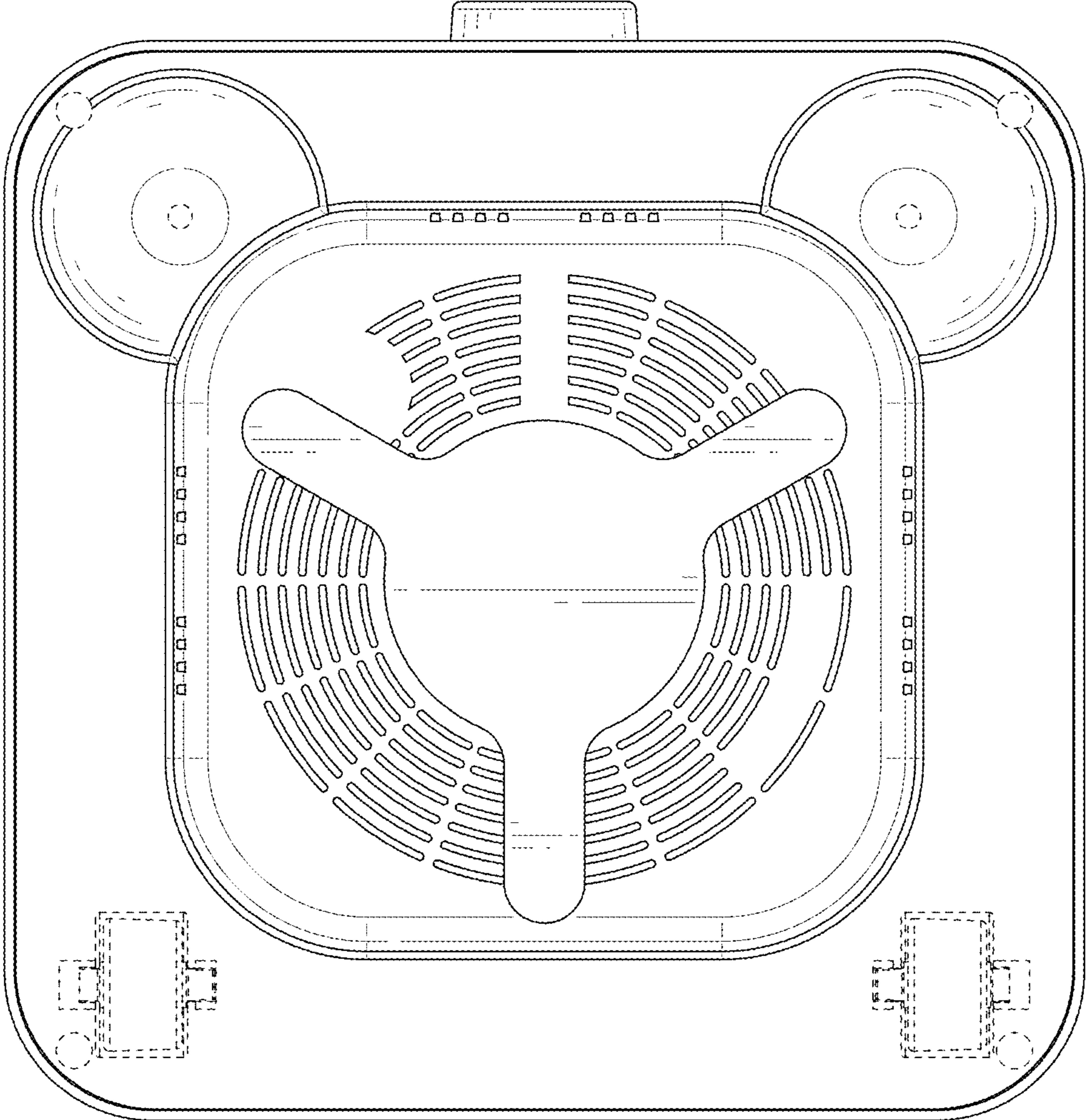


FIG. 8