



US00D906604S

(12) **United States Design Patent**
Yan et al.

(10) **Patent No.:** **US D906,604 S**
(45) **Date of Patent:** **** Dec. 29, 2020**

(54) **SCISSORS**
(71) Applicant: **Suzhou Shengkang Plastic Electric Co., Ltd., Jiangsu (CN)**
(72) Inventors: **Yongkang Yan, Jiangsu (CN); Changzhou Yan, Jiangsu (CN)**
(73) Assignee: **Suzhou Shengkang Plastic Electric Co., Ltd., Suzhou (CN)**
(**) Term: **15 Years**
(21) Appl. No.: **29/746,858**
(22) Filed: **Aug. 18, 2020**

6,827,038 B2 * 12/2004 Dunn A01K 13/00
119/600
7,217,001 B2 * 5/2007 Vrsalovic A01K 13/00
132/73.5
7,263,775 B2 * 9/2007 Moulton, III A01K 13/00
119/600
D603,110 S * 10/2009 Ragonetti D30/158
7,621,011 B2 * 11/2009 Smith A01K 17/00
119/610
D615,254 S * 5/2010 Manheimer, III D30/158
8,100,088 B2 * 1/2012 Manheimer, III A01K 13/00
119/610
9,848,581 B1 * 12/2017 Dahlquist A01K 17/00
D897,054 S * 9/2020 Wu D30/158
2005/0211030 A1 * 9/2005 Moulton, III A45D 29/02
83/13

(Continued)

(30) **Foreign Application Priority Data**

Jul. 27, 2020 (CN) 2020 3 0412062

(51) **LOC (12) Cl.** **30-99**

(52) **U.S. Cl.**
USPC **D30/158**

(58) **Field of Classification Search**
USPC D30/158, 199; 119/601, 600, 650, 610,
119/652, 602, 605, 607; D28/60;
132/73.5, 73, 75.3-75.6; 30/26-29, 123,
30/175, 176, 179, 181, 194, 124, 125,
30/182, 131, 145; 606/165, 175;
168/48.1; 83/13, 130; 340/573.1;
600/310; 362/119, 253, 800; 7/162;
D8/5, 52-56, 60, 107
CPC A01K 13/00; A01K 17/00; B26B 13/22;
B26B 13/16; A45D 29/02; A45D
2029/026; A61D 1/00
See application file for complete search history.

(56) **References Cited**

U.S. PATENT DOCUMENTS

3,838,507 A * 10/1974 Clark A01K 13/00
30/29
5,640,770 A * 6/1997 Fowler A45D 29/023
30/29

Primary Examiner — Susan Moon Lee

(74) *Attorney, Agent, or Firm* — Wayne & Ken, LLC

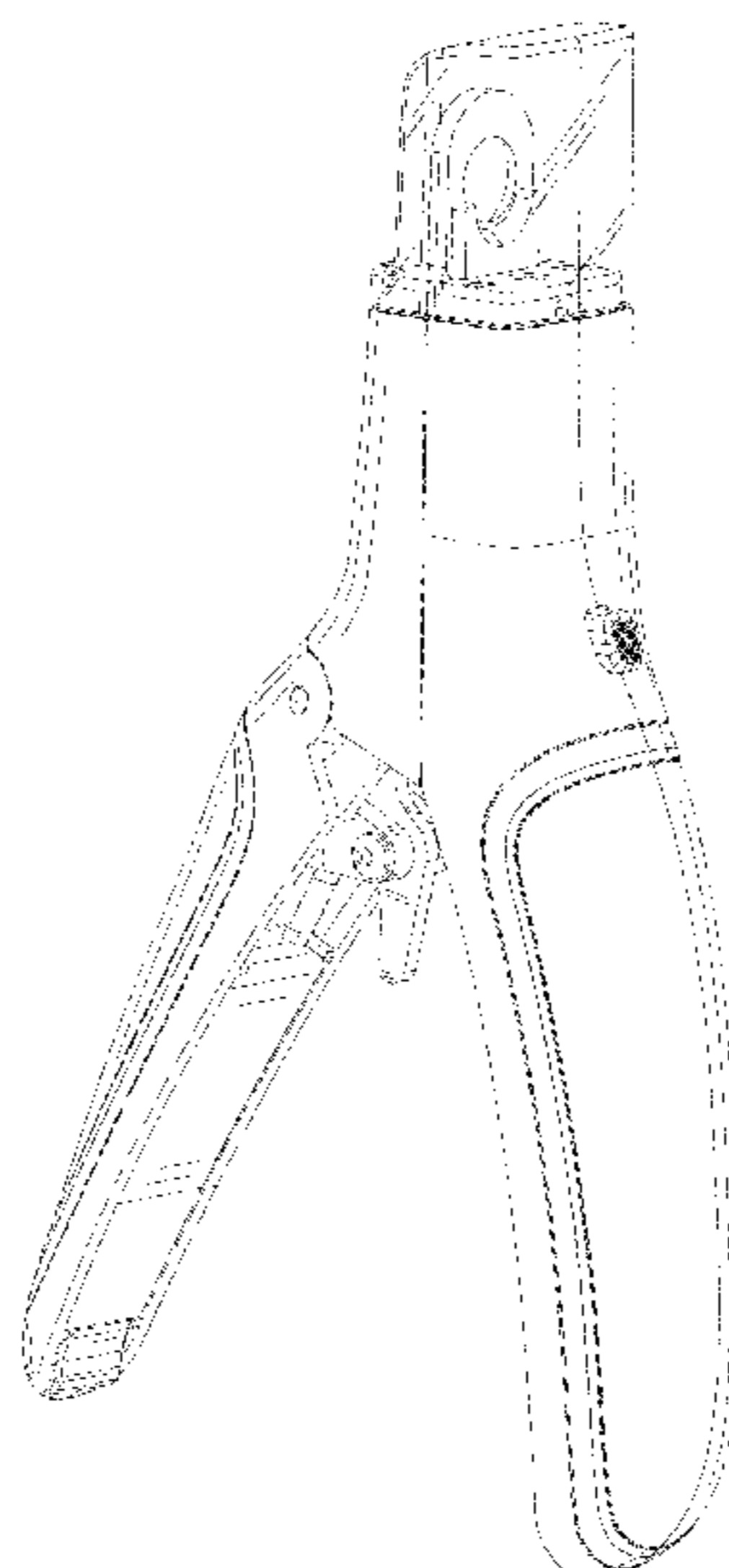
(57) **CLAIM**

The ornamental design for scissors, as shown and described.

DESCRIPTION

FIG. 1 is a front elevation view of scissors showing our new design;
FIG. 2 is a back elevation view thereof;
FIG. 3 is a left side view thereof;
FIG. 4 is a right side view thereof;
FIG. 5 is a top plan view thereof;
FIG. 6 is a bottom plan view thereof;
FIG. 7 is a perspective view thereof;
FIG. 8 is a use state diagram thereof; and,
FIG. 9 is another use state diagram thereof.
The broken lines in the drawing depict environmental subject matter only and form no part of the claimed design.

1 Claim, 9 Drawing Sheets



(56)

References Cited

U.S. PATENT DOCUMENTS

2015/0101194 A1* 4/2015 Jui-Tsang A45D 29/02
30/29
2016/0066542 A1* 3/2016 Kearns A01K 17/00
30/27
2017/0245469 A1* 8/2017 Contreras A01K 13/003
2019/0133083 A1* 5/2019 Contreras A45D 29/04

* cited by examiner

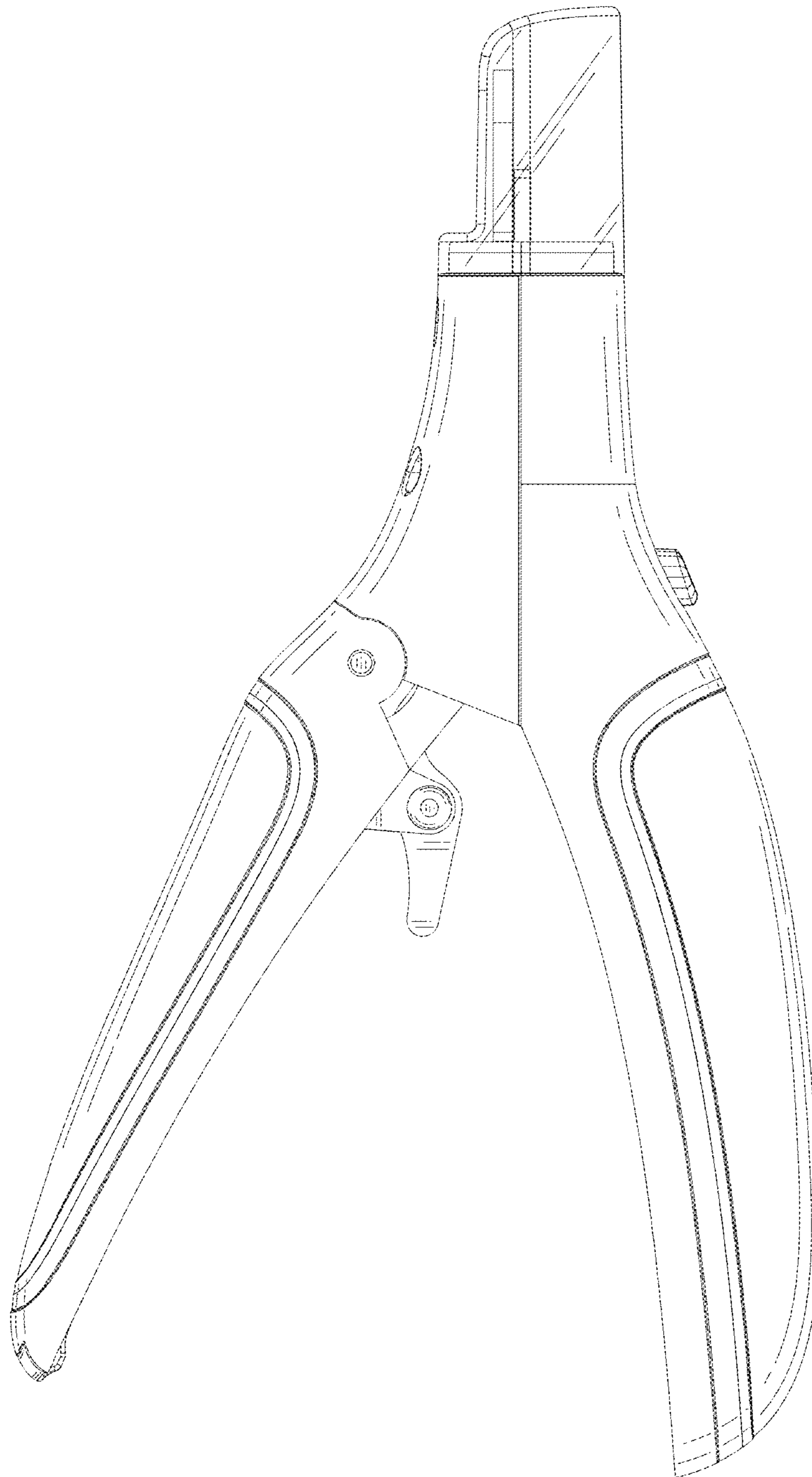


FIG. 1

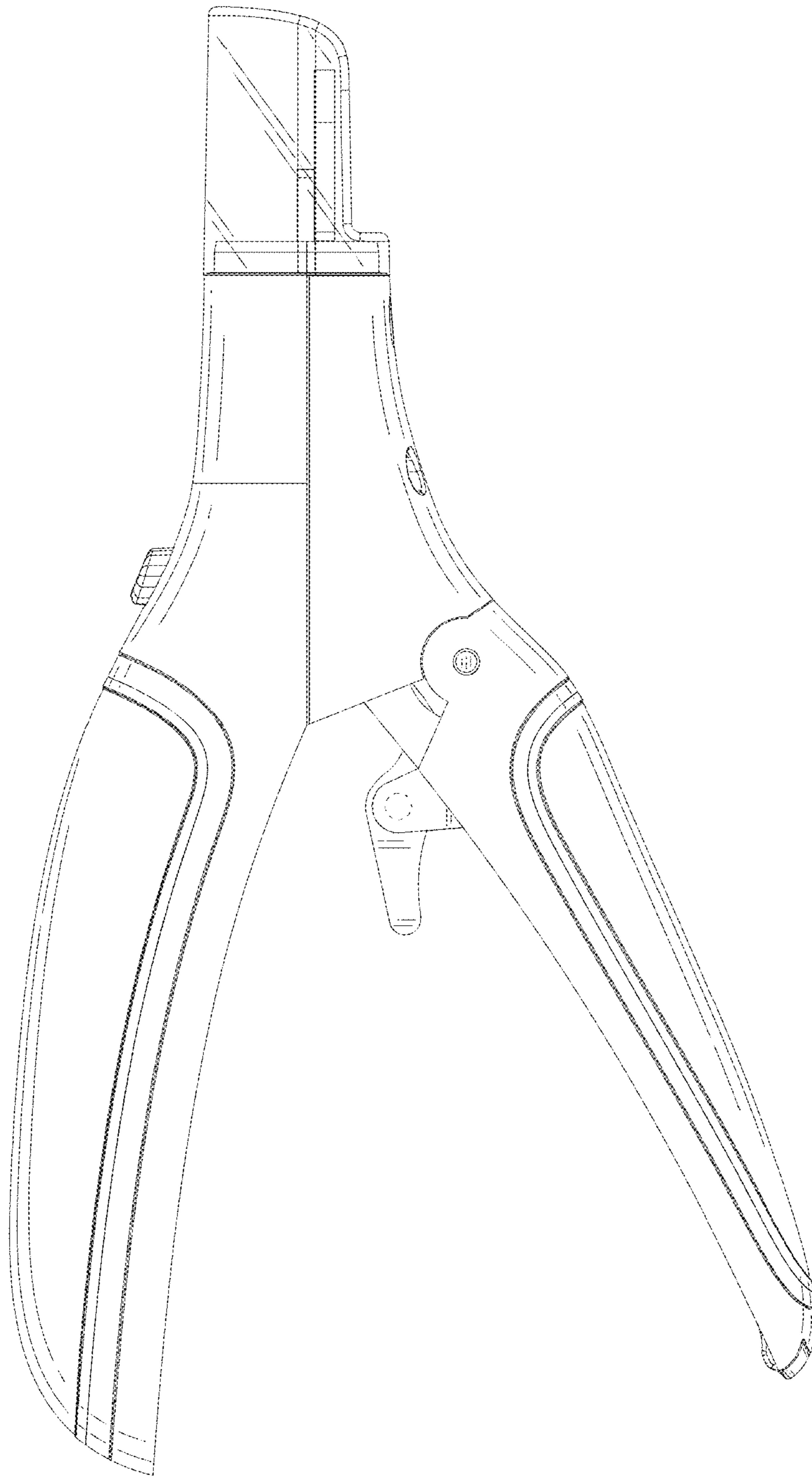


FIG. 2

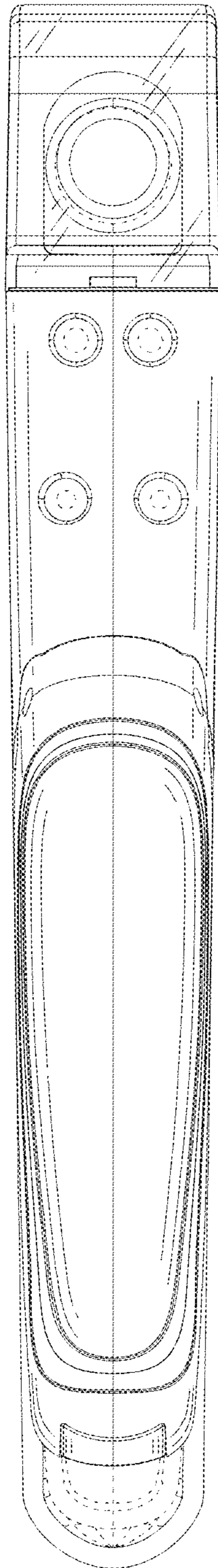


FIG. 3

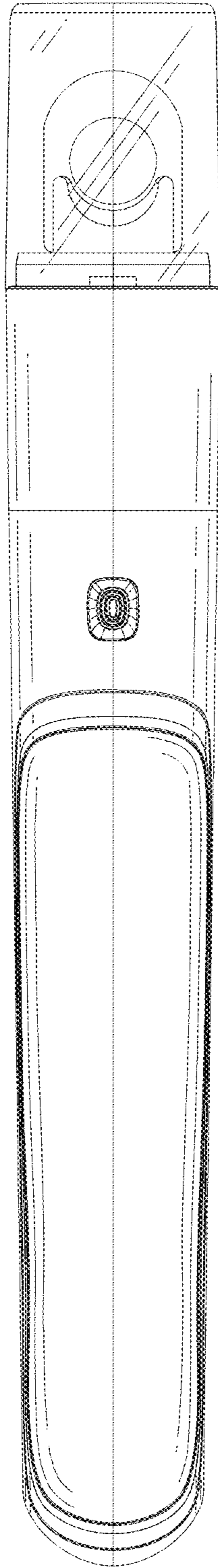


FIG. 4

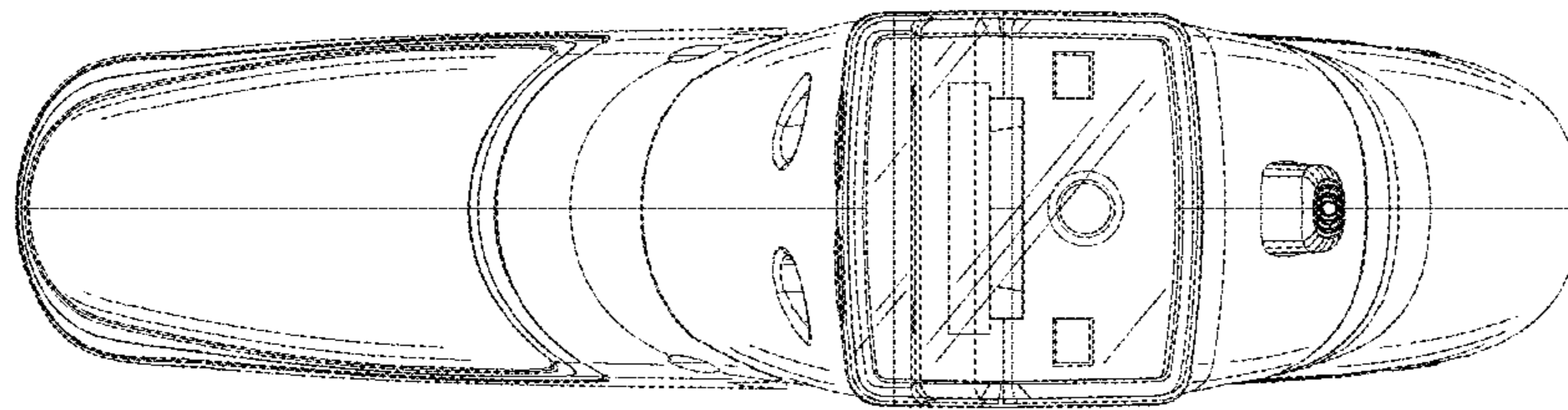


FIG. 5

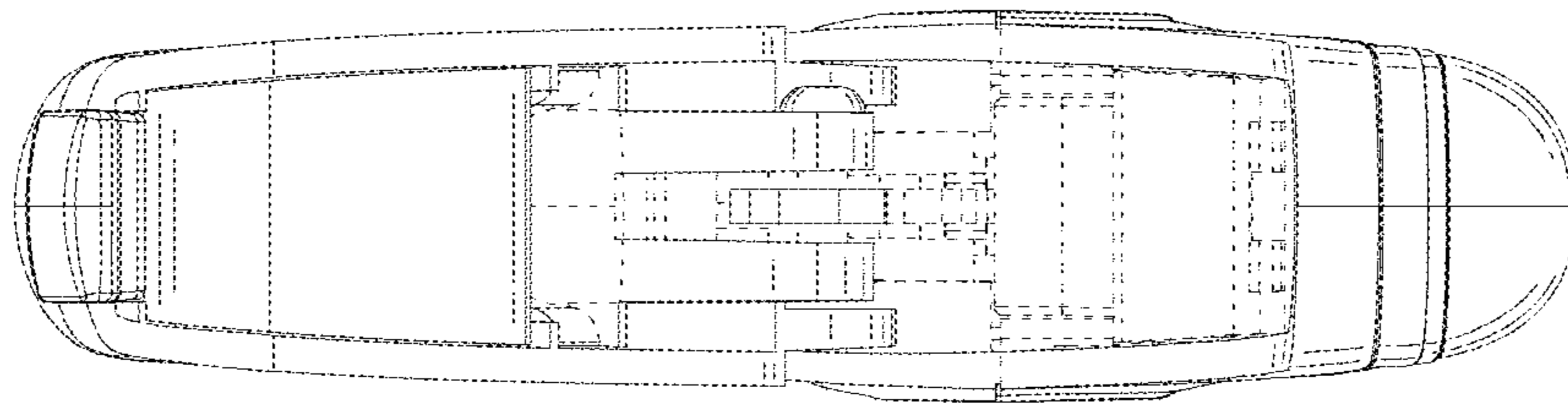


FIG. 6

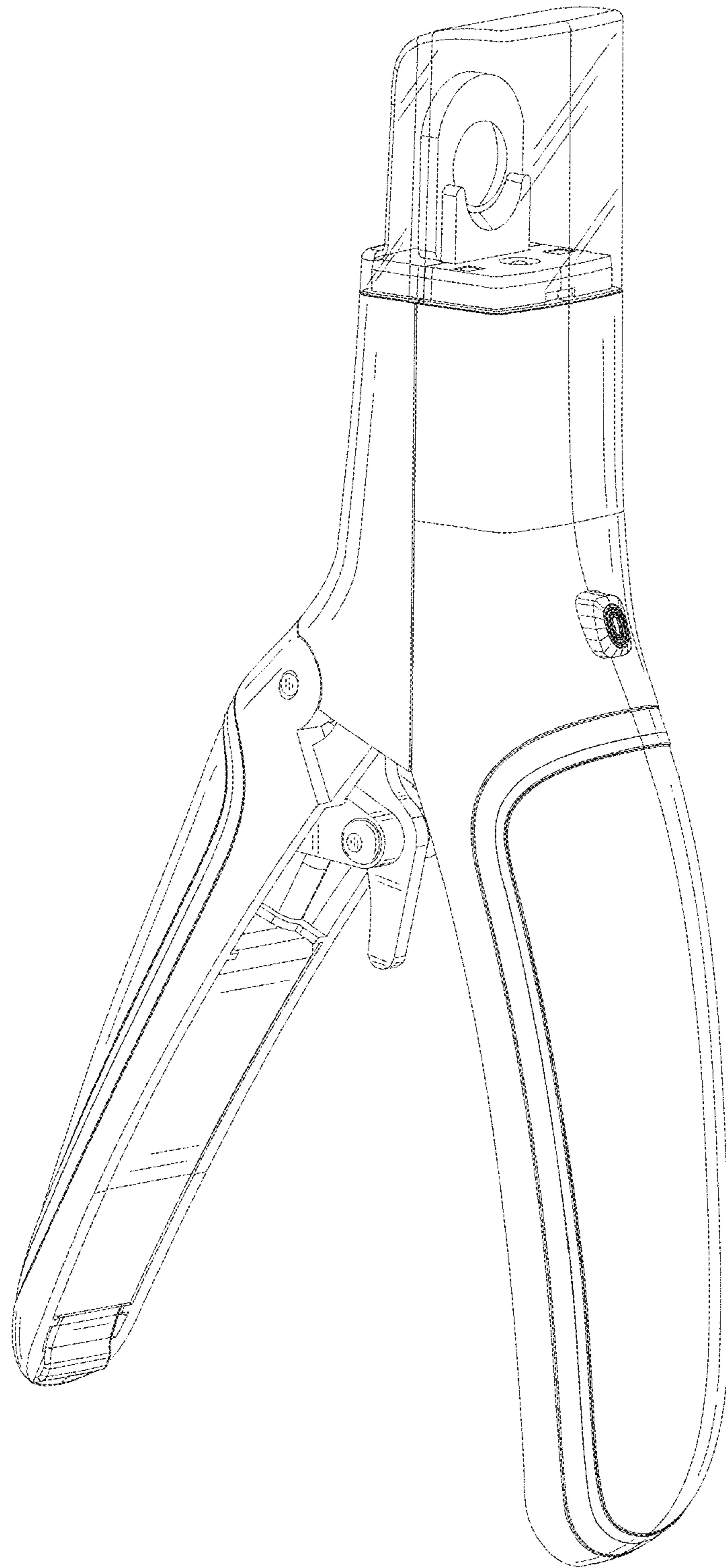


FIG. 7

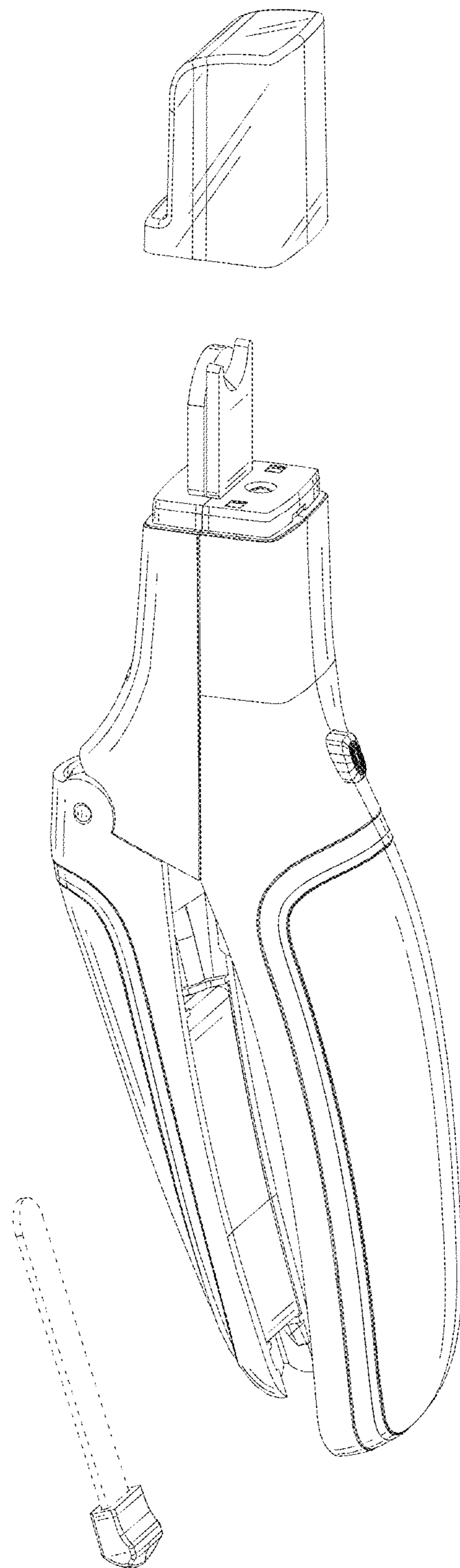


FIG. 8

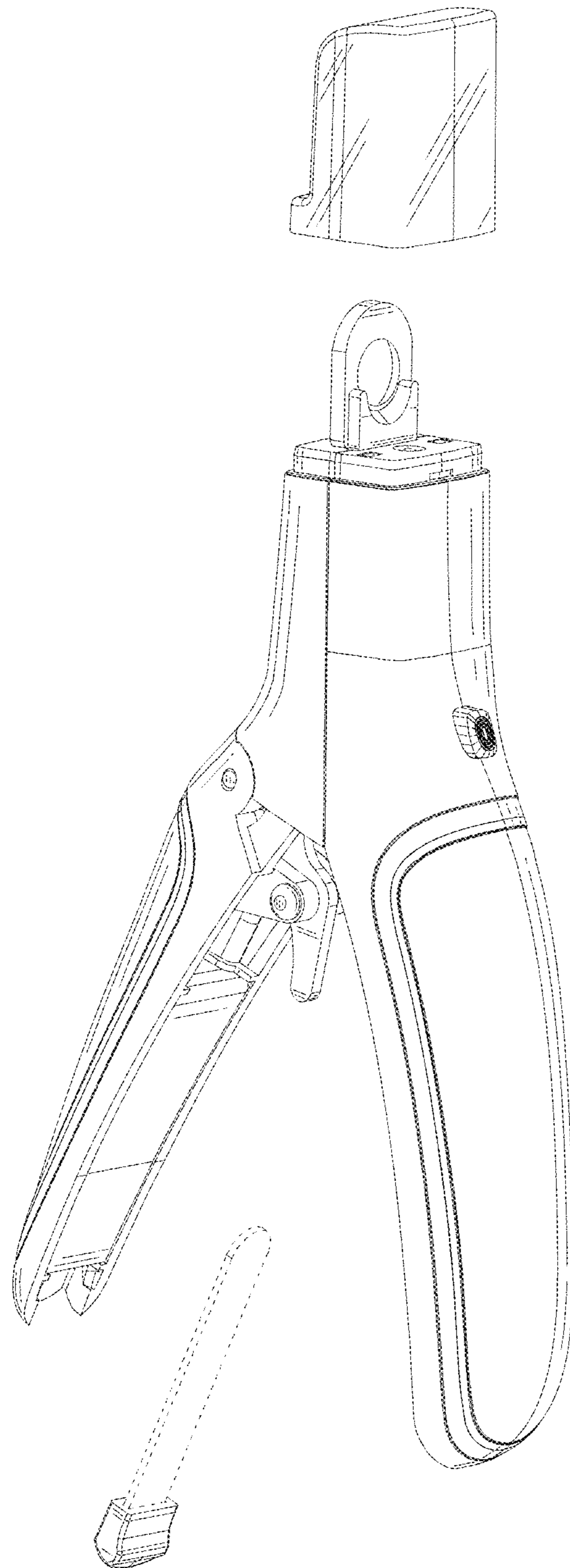


FIG. 9