



US00D906603S

(12) **United States Design Patent** (10) **Patent No.:** **US D906,603 S**
Vaccaro (45) **Date of Patent:** **** Dec. 29, 2020**

(54) **PET COLLAR**

(71) Applicant: **Huggable Pet LLC**, Bushkill, PA (US)

(72) Inventor: **Laura Vaccaro**, Bushkill, PA (US)

(73) Assignee: **Huggable Pet LLC**, Bushkill, PA (US)

(**) Term: **15 Years**

(21) Appl. No.: **29/686,020**

(22) Filed: **Apr. 2, 2019**

(51) **LOC (12) Cl.** **30-04**

(52) **U.S. Cl.**

USPC **D30/152**

(58) **Field of Classification Search**

USPC D30/102, 108, 113, 114, 118, 119, 120,
D30/144-154, 199; D3/215, 216, 221,
D3/226, 231, 233, 327, 218; D29/101.1,
D29/101.3, 101.5, 103, 104, 109, 122;
D24/190-192, 199, 186, 189; D2/627,
D2/896, 897, 902, 909, 919, 943, 980,
D2/718, 719, 860, 864, 723, 961;
D6/675, 567, 572; D9/650, 430, 432;
D10/30, 40, 70, 50, 52, 60, 61, 104.1,
D10/104.2; D11/79, 86, 201; D14/344,
D14/242, 203.1, 203.3, 203.5; D21/387;
D23/366, 368, 364; D25/152, 153, 157;
D20/11, 27, 19, 24, 30

CPC A01K 1/00; A01K 1/02; A01K 1/0088;
A01K 13/007; A01K 13/006; A01K
13/00; A01K 27/00; A01K 27/001; A01K
27/002; A01K 27/003; A01K 27/004;
A01K 27/005; A01K 27/006; A01K
27/008; A01K 27/009; A01K 25/00;
A01K 15/04; A01K 15/021; A01K
15/022; A01K 11/006; A01K 11/008;
A01K 23/00; A01K 29/00; A41B 13/06;
A61F 11/12; A61D 9/00; B68B 1/02;

(Continued)

(56) **References Cited**

U.S. PATENT DOCUMENTS

D129,866 S * 10/1941 Cohig D2/602
2,892,909 A * 6/1959 Darnutzer A45D 44/08
2/50

(Continued)

OTHER PUBLICATIONS

Huggable E-Collar, copyright 2019 [online], [retrieved Jul. 1, 2020], Available from Internet, URL: <https://www.huggablepet.com/place-order>.*

Primary Examiner — George D. Kirschbaum

Assistant Examiner — Mary Claire Ramirez

(74) *Attorney, Agent, or Firm* — Penn State Law IP Clinic

(57) **CLAIM**

The ornamental design for a pet collar, as shown and described.

DESCRIPTION

FIG. 1 is a perspective view of a pet collar showing the new design fastened;

FIG. 2 is another perspective view thereof;

FIG. 3 is another perspective view thereof;

FIG. 4 is another perspective view thereof;

FIG. 5 is another perspective view showing the pet collar in a state of use;

FIG. 6 is a side perspective view of the pet collar shown unfastened;

FIG. 7 is a top perspective view thereof;

FIG. 8 is a side perspective view thereof;

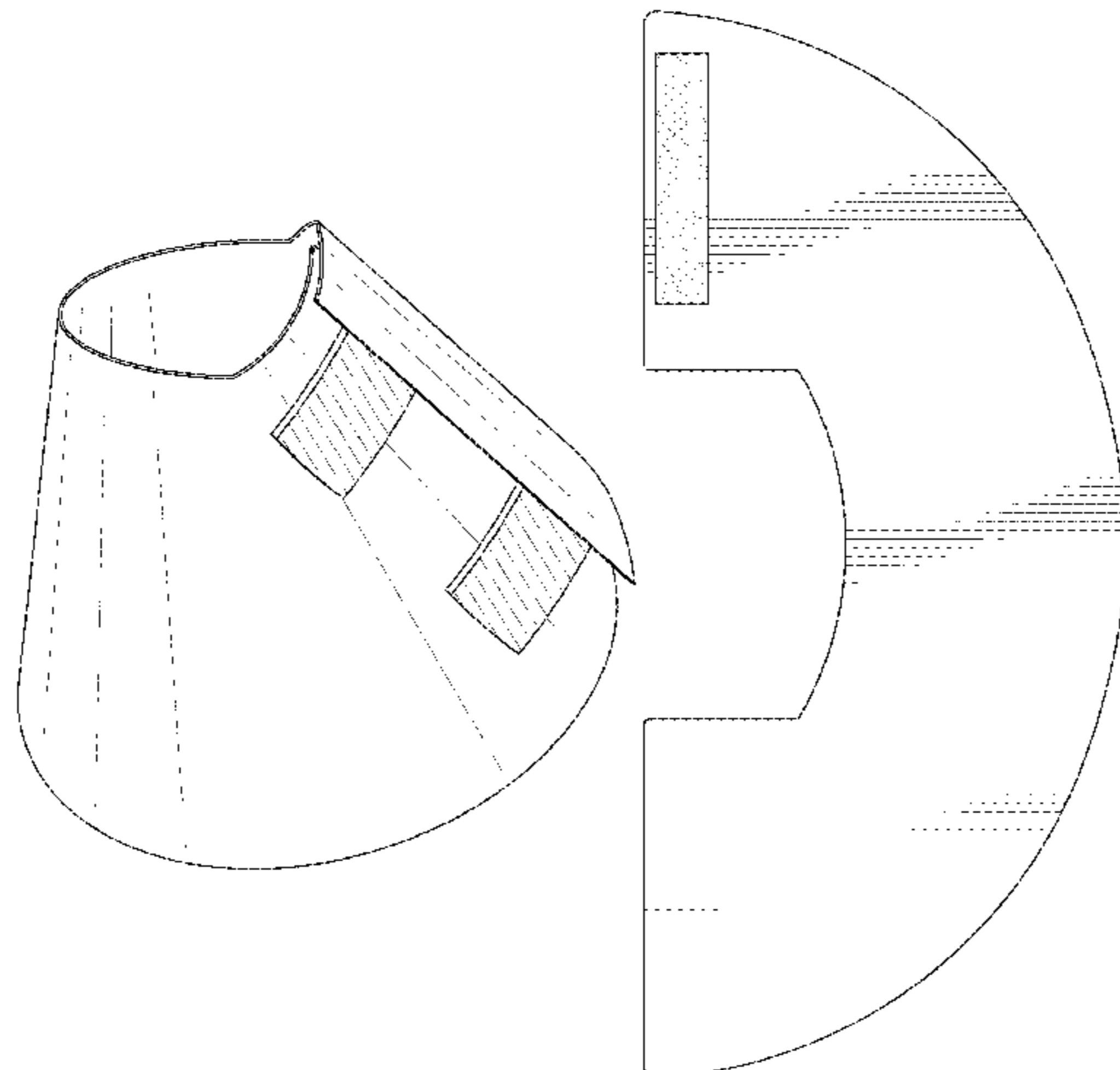
FIG. 9 is a bottom perspective view thereof;

FIG. 10 is a side perspective view thereof; and,

FIG. 11 is a side perspective view thereof.

The broken line showing of a cat in FIG. 5 depicts environmental subject matter and forms no part of the claimed design. The fasteners in the drawing figures use diagonal

(Continued)



shade lines and stippling to show a contrast of appearance between each other and the vertically shaded surface on which they reside.

1 Claim, 11 Drawing Sheets

(58) Field of Classification Search

CPC B68B 1/01; E06B 9/02; E06B 9/0623;
E06B 9/0638; A01L 3/02; A01L 5/00;
A01L 1/02

See application file for complete search history.

(56) References Cited

U.S. PATENT DOCUMENTS

3,036,554 A * 5/1962 Johnson A01K 13/006
119/821
3,300,786 A * 1/1967 Rosenvold A61F 13/124
2/15
3,338,028 A * 8/1967 Freeman A01K 13/007
54/82
4,200,057 A * 4/1980 Agar A01K 15/04
424/9.8
4,548,026 A * 10/1985 Shidner A01K 13/007
168/2
D290,415 S * 6/1987 Hoyt, Jr. D30/148
5,012,764 A * 5/1991 Fick A01K 13/006
119/821
5,197,414 A * 3/1993 Kanakura A01K 13/006
119/815
5,349,927 A * 9/1994 Campbell A01K 13/006
119/815
5,697,328 A * 12/1997 Hunter A01K 13/006
119/714
D393,737 S * 4/1998 Tymous D2/860
5,797,354 A * 8/1998 Marschall A61D 9/00
119/815
D402,841 S * 12/1998 Dobbs D6/583
D409,339 S * 5/1999 Silano D13/118
D416,745 S * 11/1999 Noyes D6/601
6,000,366 A * 12/1999 Reeping A01K 13/006
119/850
6,098,348 A * 8/2000 Weaver A01K 39/0113
119/52.3
D436,179 S * 1/2001 Small D24/206
D436,929 S * 1/2001 Kane D13/156
6,283,126 B1 * 9/2001 Jessen A61F 5/37
128/878

D506,296 S * 6/2005 Driver 119/815
D507,056 S * 7/2005 Friedland D24/206
D512,511 S * 12/2005 Friedland D24/206
D540,972 S * 4/2007 Tortel D26/118
D582,128 S * 12/2008 Thompson D2/861
D632,851 S * 2/2011 Maroney D30/145
D647,669 S * 10/2011 Martinez D30/145
8,042,494 B2 10/2011 Markfield
D664,721 S * 7/2012 Martinez D30/145
D705,502 S * 5/2014 Markfield D30/145
D734,899 S * 7/2015 Martinez D30/144
D757,372 S * 5/2016 Clinton D30/121
9,585,365 B1 * 3/2017 Gibson A01K 13/006
9,815,255 B2 * 11/2017 Mills A01K 13/007
D810,931 S * 2/2018 Lumaque-Steeman D24/124
9,928,813 B1 * 3/2018 Washburn G10D 9/06
D816,543 S * 5/2018 Henz D11/130
D818,335 S * 5/2018 Walters D8/70
D844,260 S * 3/2019 Cai D30/152
D855,903 S * 8/2019 Cai D30/152
D869,103 S * 12/2019 Bolton D30/144
10,555,501 B2 * 2/2020 Hansen A01K 13/006
D884,442 S * 5/2020 Taylor D8/1
2009/0000569 A1 1/2009 Behraves et al.
2009/0056642 A1 * 3/2009 Markfield A01K 13/006
119/850
2009/0241855 A1 10/2009 Stocki et al.
2010/0024745 A1 * 2/2010 Harlow A01K 13/006
119/856
2011/0139091 A1 * 6/2011 Ohashi A01K 13/006
119/821
2011/0277701 A1 * 11/2011 King A61D 9/00
119/815
2012/0145093 A1 * 6/2012 Martinez A61D 9/00
119/863
2012/0325163 A1 * 12/2012 Markfield A61D 9/00
119/855
2013/0055968 A1 3/2013 Lippincott
2014/0096722 A1 * 4/2014 Groff A61D 9/00
119/815
2015/0053147 A1 * 2/2015 Lippincott A61D 9/00
119/821
2015/0257362 A1 * 9/2015 Smith A01K 13/006
119/821
2017/0071158 A1 * 3/2017 Morykon A01K 13/006
2017/0280681 A1 * 10/2017 Jurgens A01K 15/04
2017/0325423 A1 * 11/2017 McGrath A01K 13/006
2018/0184619 A1 * 7/2018 Sparks A01K 15/04
2020/0008399 A1 * 1/2020 Bolton A01K 15/04

* cited by examiner

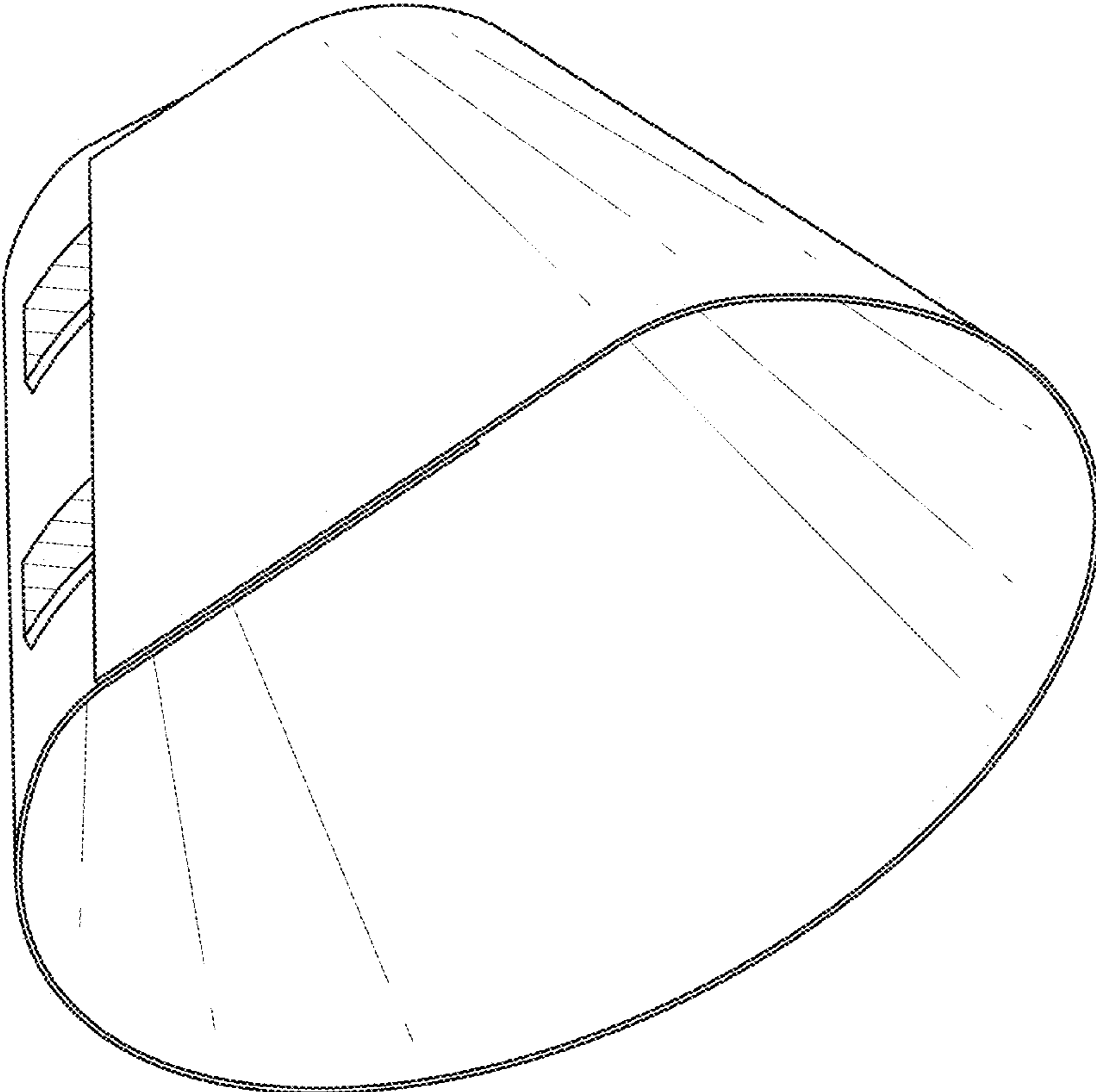


FIG. 1

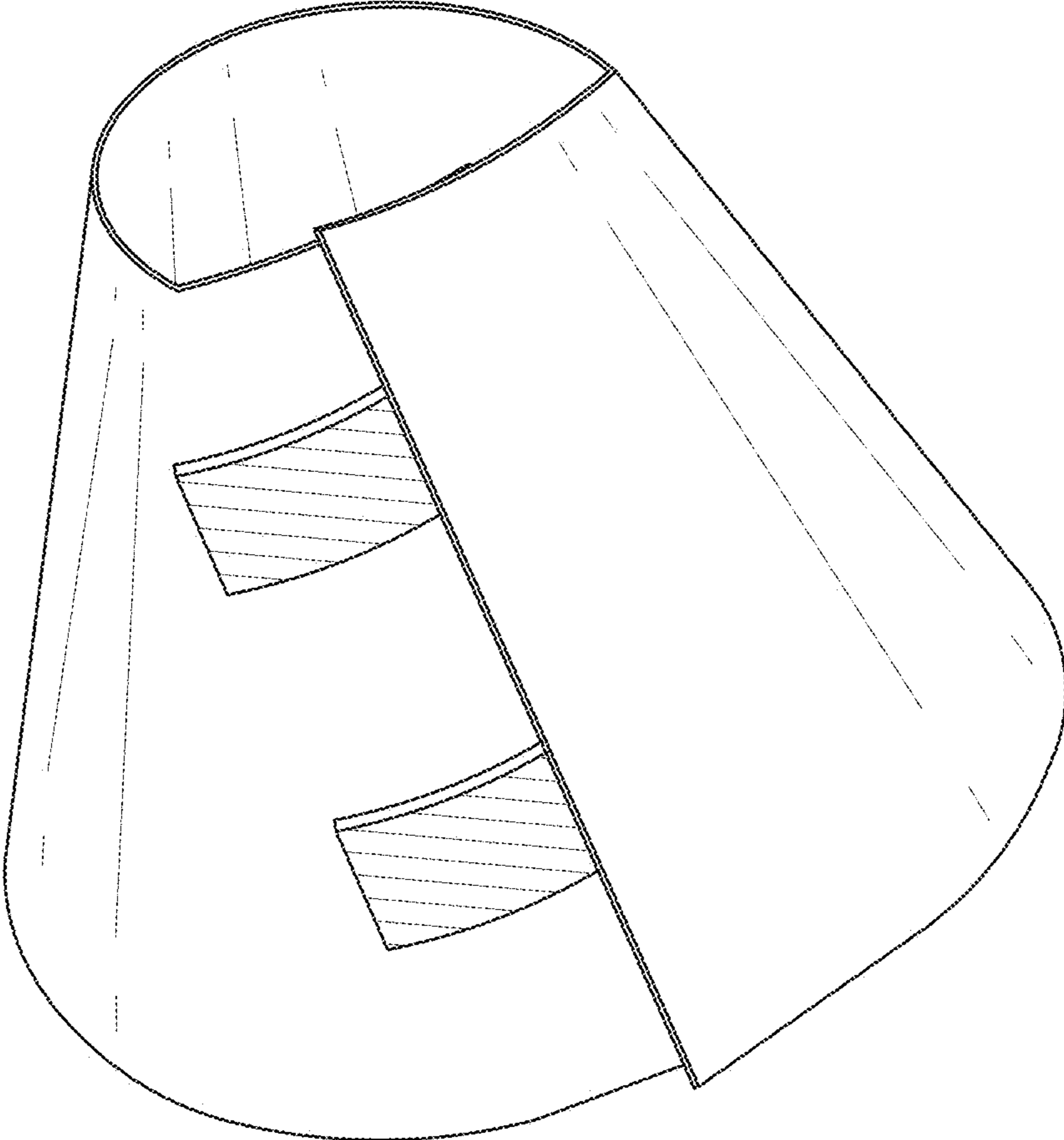


FIG. 2

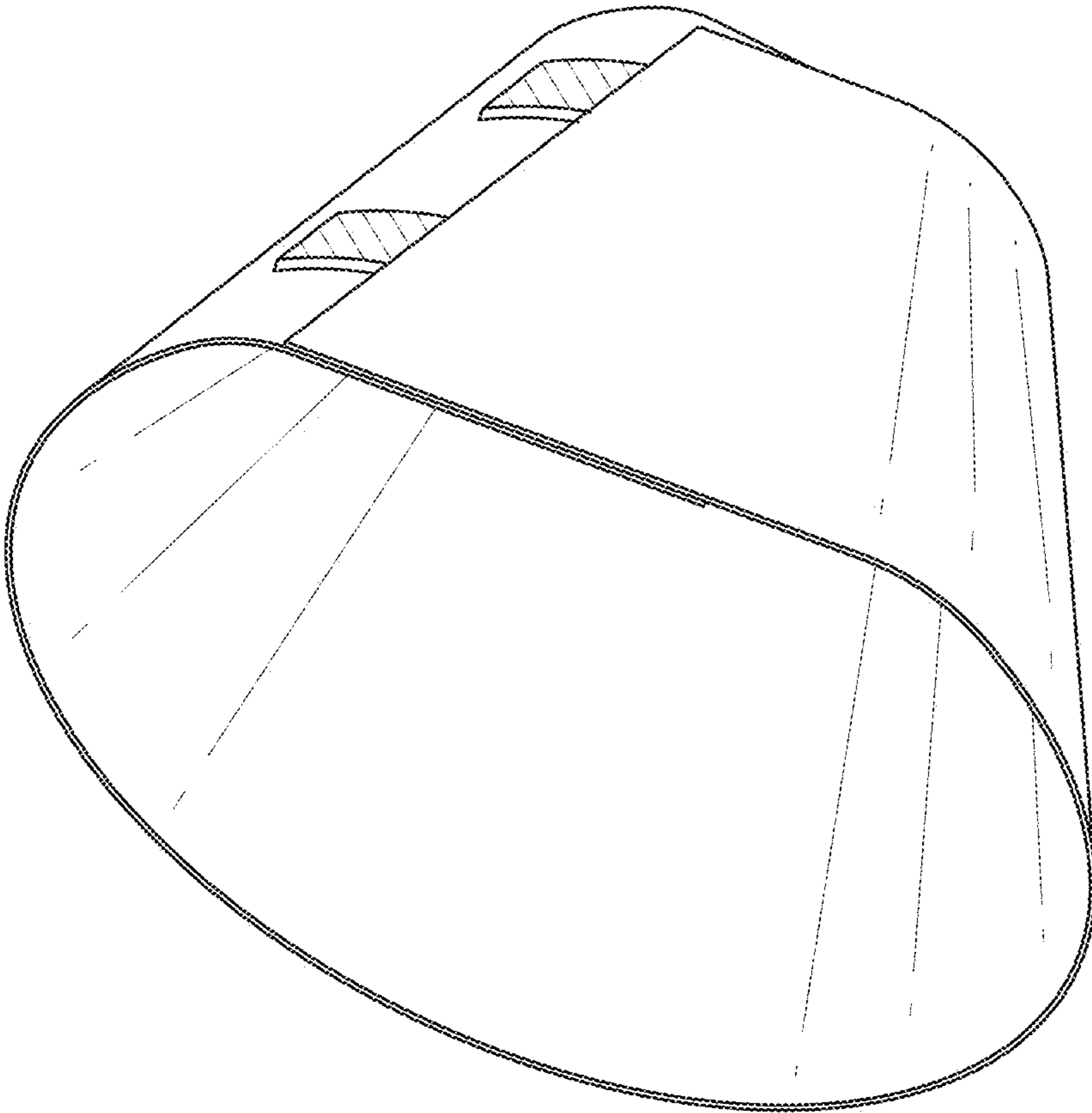


FIG. 3

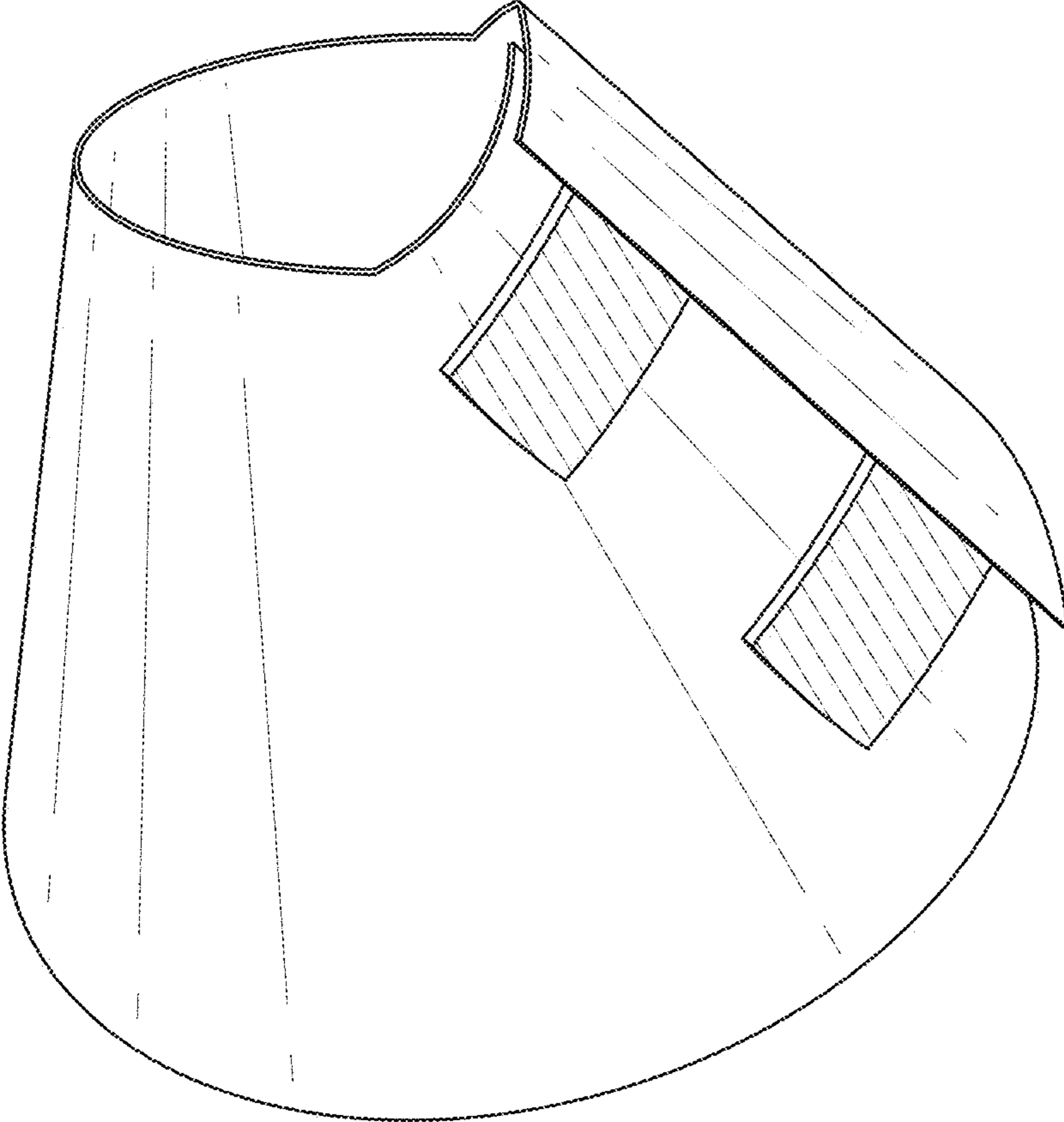


FIG. 4

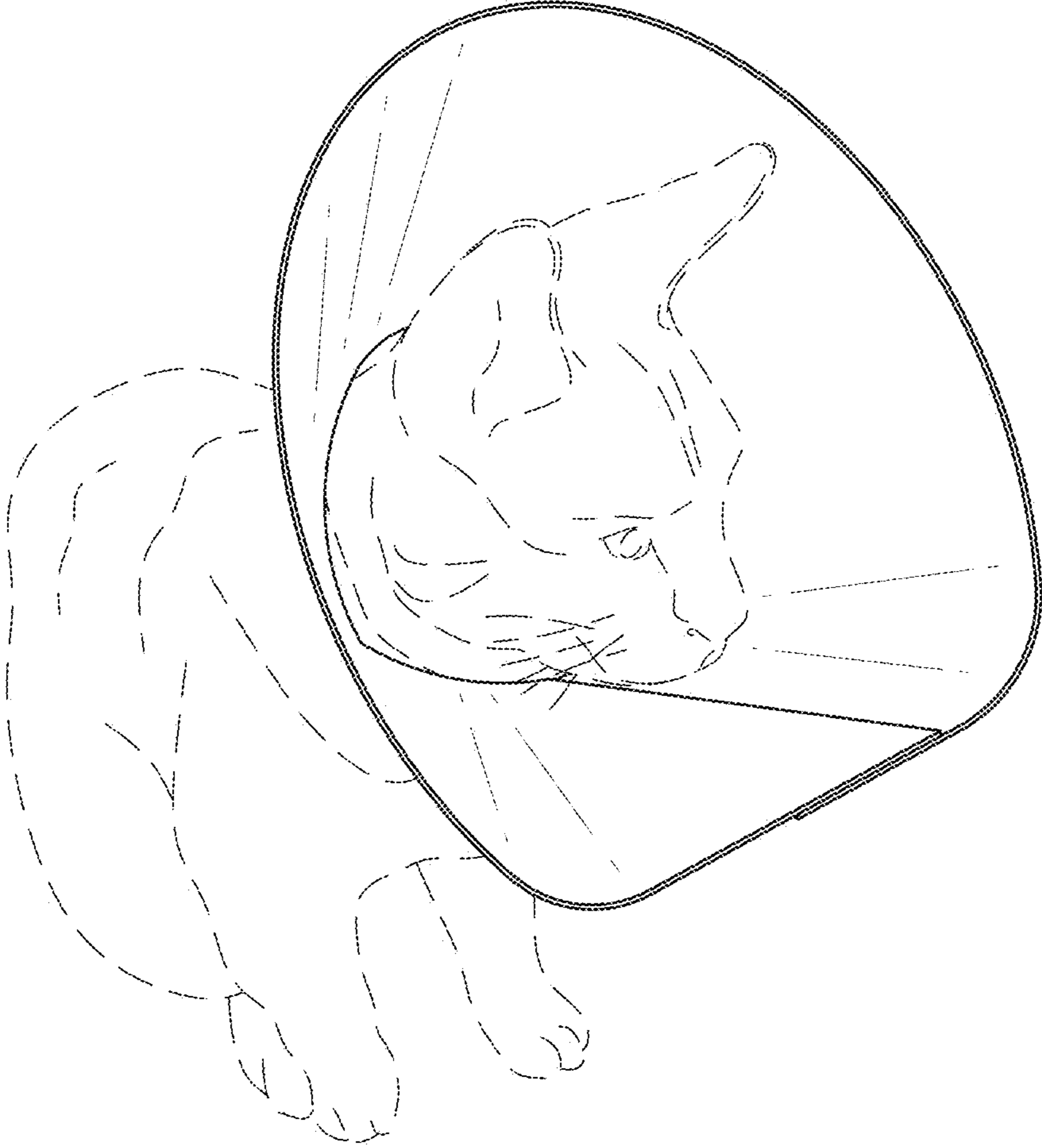


FIG. 5

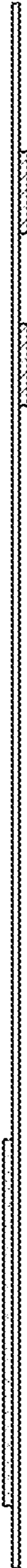


FIG. 6

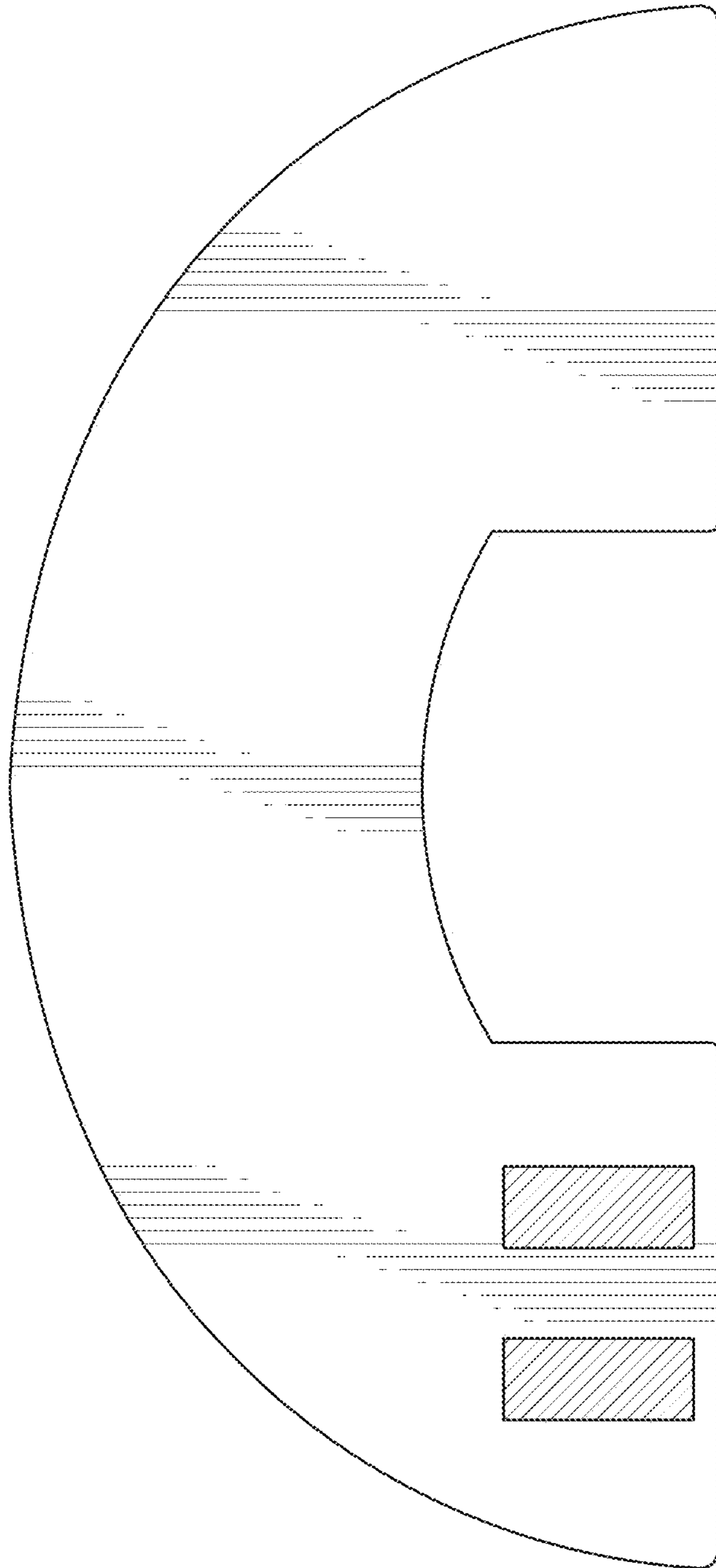


FIG. 7

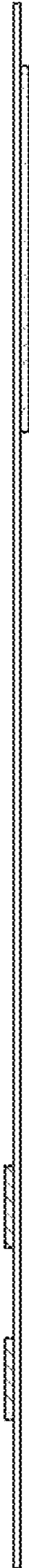


FIG. 8

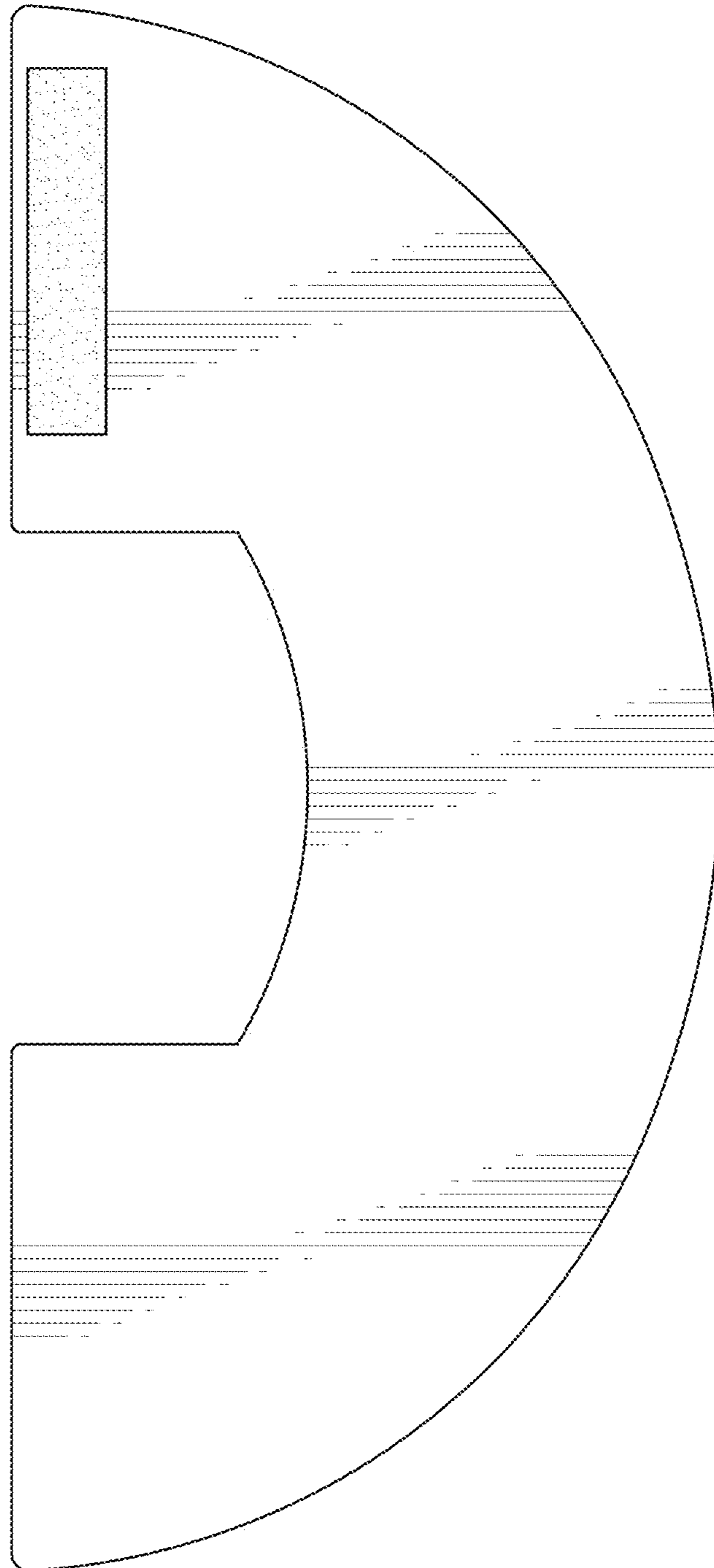


FIG. 9



FIG. 10



FIG. 11