

US00D906602S

(12) **United States Design Patent**  
**Stevenson et al.**

(10) **Patent No.:** **US D906,602 S**

(45) **Date of Patent:** **\*\* \*Dec. 29, 2020**

(54) **UNGULATE SHOE**

B68B 1/01; E06B 9/02; E06B 9/0623;  
E06B 9/0638; A01L 3/02; A01L 5/00;  
A01L 1/02

(71) Applicant: **FORMAHOOF LIMITED**, Waterford  
(IE)

See application file for complete search history.

(72) Inventors: **Robert James Stevenson**, Dubai (AE);  
**Dimitrios Halabi Nicolaides**, Dubai  
(AE)

(56) **References Cited**

U.S. PATENT DOCUMENTS

(73) Assignee: **FORMAHOOF LIMITED**, Waterford  
(IE)

3,236,310 A \* 2/1966 Quick ..... A01L 3/02  
168/18  
3,967,683 A \* 7/1976 Ensinozo ..... A01L 3/00  
168/4

(\*) Notice: This patent is subject to a terminal dis-  
claimer.

(Continued)

(\*\*) Term: **15 Years**

OTHER PUBLICATIONS

(21) Appl. No.: **29/678,669**

FormaHoof, published Oct. 20, 2017 [online], [retrieved Jun. 21,  
2020], Available from Internet, URL: [https://www.facebook.com/  
FormaHoof/posts/all-set-up-at-clinton-andersons-ranch-rally-looking-  
forward-to-demonstrate-the-n/829287700564687/](https://www.facebook.com/FormaHoof/posts/all-set-up-at-clinton-andersons-ranch-rally-looking-forward-to-demonstrate-the-n/829287700564687/).\*

(22) Filed: **Jan. 30, 2019**

(Continued)

(30) **Foreign Application Priority Data**

Jul. 31, 2018 (EM) ..... 005519253-005

*Primary Examiner* — George D. Kirschbaum

*Assistant Examiner* — Mary Claire Ramirez

(51) **LOC (12) Cl.** ..... **30-01**

(74) *Attorney, Agent, or Firm* — King & Schickli, PLLC

(52) **U.S. Cl.**

USPC ..... **D30/146**

(58) **Field of Classification Search**

USPC ..... D30/102, 108, 113, 114, 118, 119, 120,  
D30/144–154, 199; D3/215, 216, 221,  
D3/226, 231, 233, 327, 218; D29/101.1,  
D29/101.3, 101.5, 103, 104, 109, 122;  
D24/190–192, 199, 186

CPC ..... A01K 1/00; A01K 1/02; A01K 1/0088;  
A01K 13/007; A01K 13/006; A01K  
13/00; A01K 27/00; A01K 27/001; A01K  
27/002; A01K 27/003; A01K 27/004;  
A01K 27/005; A01K 27/006; A01K  
27/008; A01K 27/009; A01K 25/00;  
A01K 15/04; A01K 15/021; A01K  
15/022; A01K 11/006; A01K 11/008;  
A01K 23/00; A01K 29/00; A41B 13/06;  
A61F 11/12; A61D 9/00; B68B 1/02;

(57) **CLAIM**

The ornamental design for an ungulate shoe, as shown and  
described.

**DESCRIPTION**

FIG. 1 is a top perspective view of an ungulate shoe,  
showing our new design;  
FIG. 2 is a bottom perspective view thereof;  
FIG. 3 is a top view thereof;  
FIG. 4 is a front view thereof;  
FIG. 5 is a rear view thereof;  
FIG. 6 is a bottom view thereof;  
FIG. 7 is a right view thereof;  
FIG. 8 is a left view thereof; and,

(Continued)

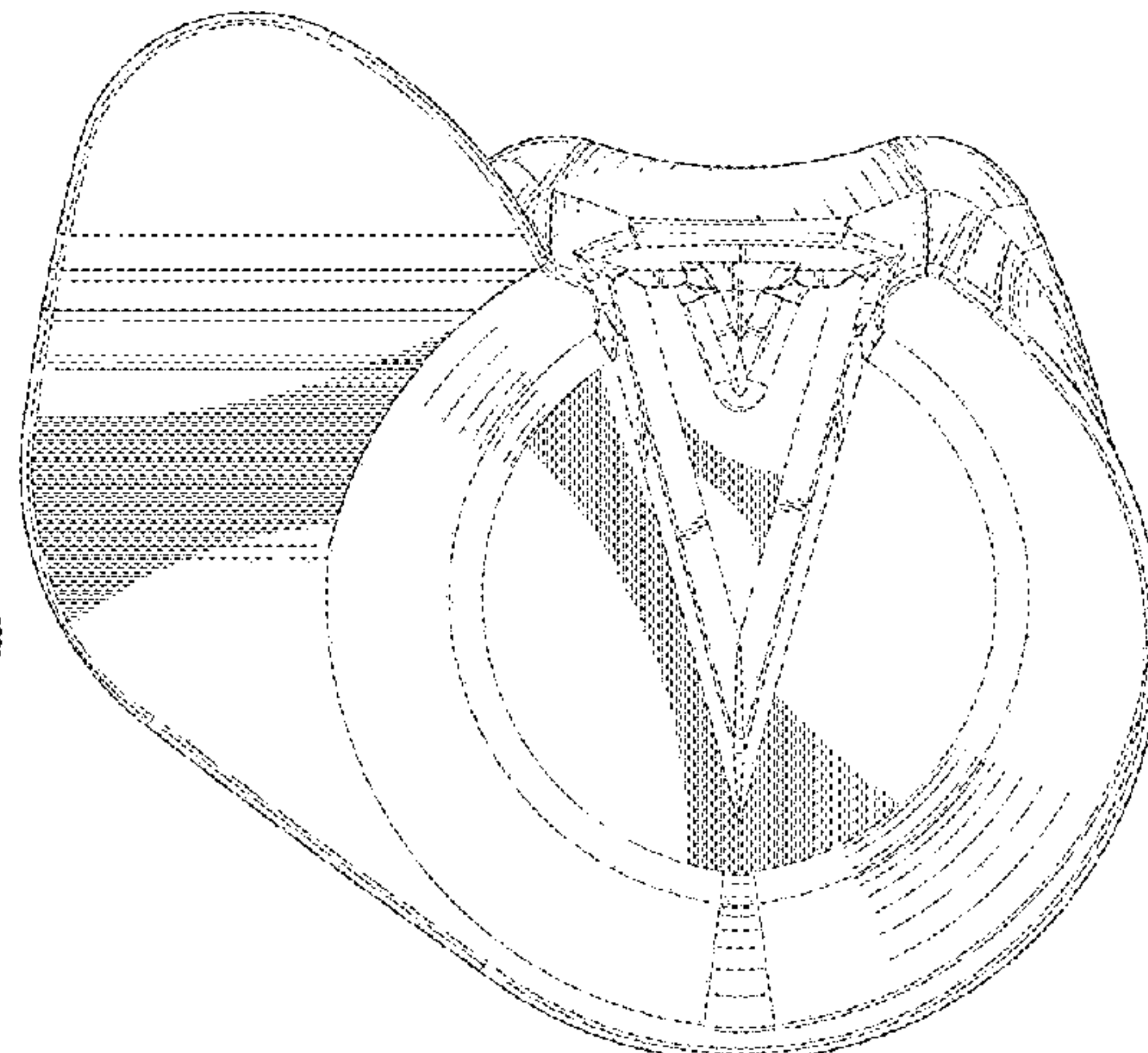
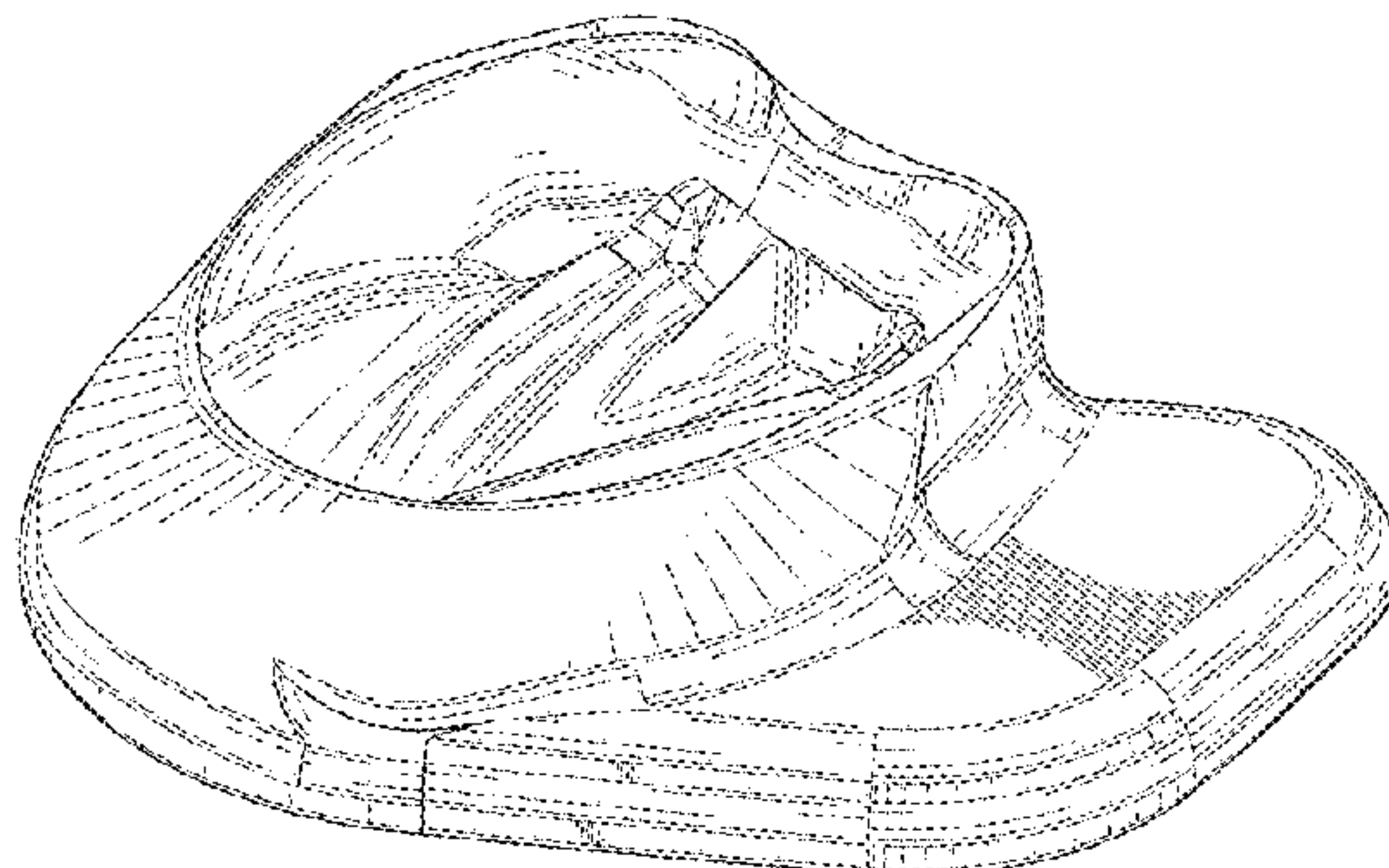


FIG. 9 is a cross-sectional view thereof, taken in the direction of line 9-9 in FIG. 4.

**1 Claim, 5 Drawing Sheets**

(56)

**References Cited**

U.S. PATENT DOCUMENTS

4,189,004 A \* 2/1980 Glass ..... A01L 3/02  
168/18  
4,290,487 A \* 9/1981 Unger ..... A01K 13/007  
168/18  
D271,912 S \* 12/1983 Kurpakus ..... D30/148  
4,564,071 A \* 1/1986 Lee ..... A01L 5/00  
168/19  
D285,499 S \* 9/1986 Nakanishi ..... D30/149  
4,881,600 A \* 11/1989 Nebel ..... A01L 3/00  
168/11  
5,272,857 A \* 12/1993 Logan ..... A61D 9/00  
168/18  
D503,500 S \* 3/2005 Gaspari ..... D30/118  
D580,111 S \* 11/2008 Lander ..... D30/146  
D603,108 S \* 10/2009 Lander ..... D30/149  
D629,166 S \* 12/2010 Lander ..... D30/149  
D629,573 S \* 12/2010 Lander ..... D30/146  
D629,977 S \* 12/2010 Ford ..... D30/146  
D671,694 S \* 11/2012 Ford ..... D30/146  
D685,142 S \* 6/2013 Lander ..... D30/148  
D689,246 S \* 9/2013 Blair ..... D30/148  
D709,656 S \* 7/2014 Ruetenik ..... D30/149  
D746,519 S \* 12/2015 Ruetenik ..... D30/149

D767,830 S \* 9/2016 Blair ..... D30/147  
9,687,043 B2 \* 6/2017 Kenney ..... A43B 3/0036  
D832,531 S \* 10/2018 Liblin, Jr. .... D30/147  
D867,683 S \* 11/2019 Stevenson ..... D30/147  
D874,743 S \* 2/2020 Stevenson ..... D30/147  
D874,744 S \* 2/2020 Stevenson ..... D30/147  
D876,029 S \* 2/2020 Blair ..... D30/147  
D876,030 S \* 2/2020 Blair ..... D30/147  
D876,031 S \* 2/2020 Blair ..... D30/147  
2003/0070403 A1 \* 4/2003 Osha ..... A01K 13/007  
54/82  
2006/0254782 A1 \* 11/2006 Morris ..... A61D 9/00  
168/28  
2007/0033909 A1 \* 2/2007 Lustgarten ..... A01L 7/00  
54/82  
2009/0235621 A1 \* 9/2009 Ford ..... A01L 5/00  
54/82  
2010/0083624 A1 \* 4/2010 Ford ..... A01K 13/007  
54/82  
2012/0118587 A1 \* 5/2012 Patek ..... A01K 13/007  
168/4  
2016/0249596 A1 \* 9/2016 Ford ..... A01L 3/02  
168/17  
2017/0258066 A1 \* 9/2017 Stevenson ..... A01L 3/00  
2019/0364848 A1 \* 12/2019 Ford ..... A01L 3/04

OTHER PUBLICATIONS

FormaHoof Right Extension, published 2020 [online], [retrieved Jun. 21, 2020], Available from Internet, URL: [https://twin-creeks-podiatry.com/collections/formahoof-%C2%AE-foal-extensions/products/formahoof-%C2%AE-right-extension.\\*](https://twin-creeks-podiatry.com/collections/formahoof-%C2%AE-foal-extensions/products/formahoof-%C2%AE-right-extension.*)

\* cited by examiner



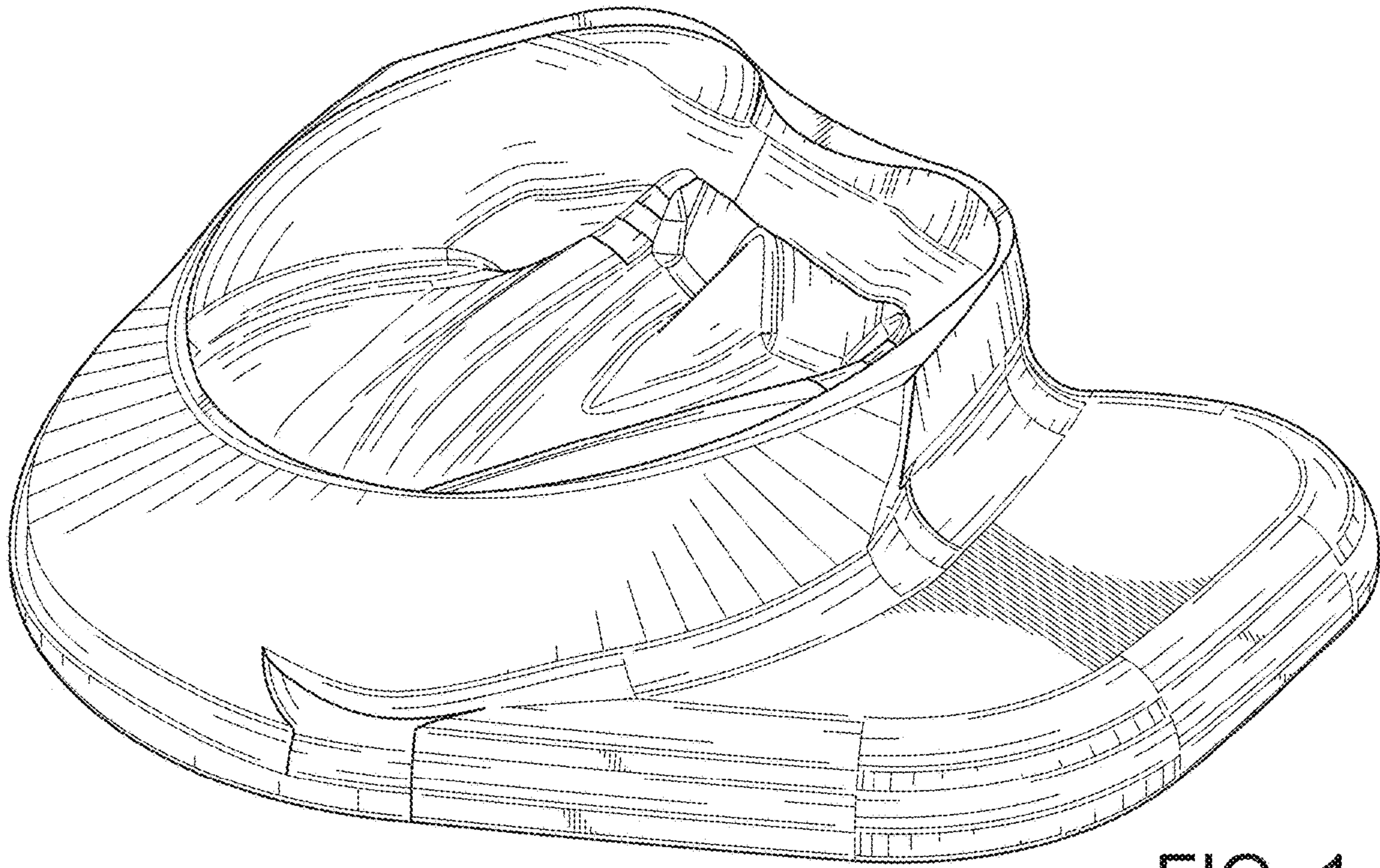


FIG. 1

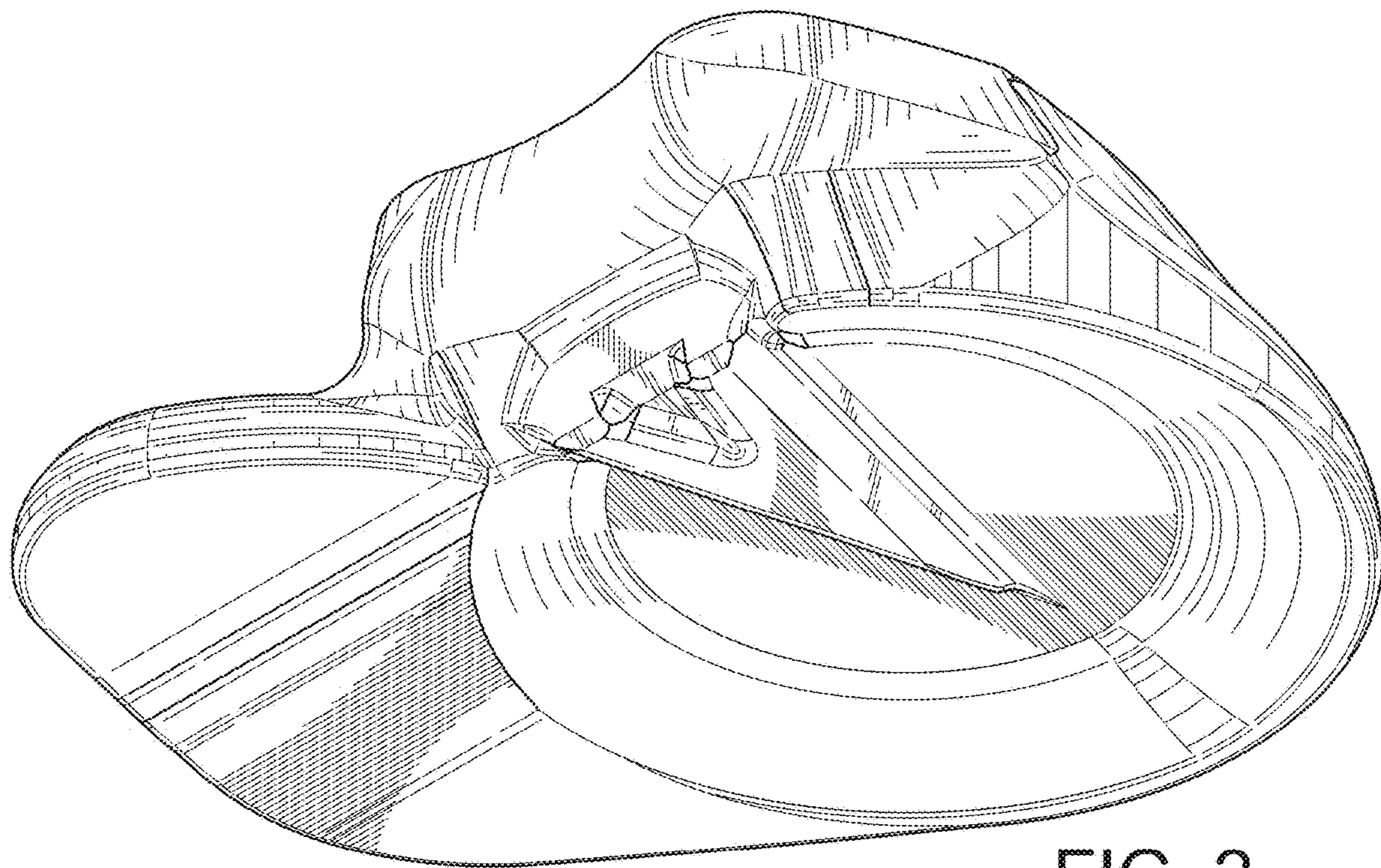


FIG. 2



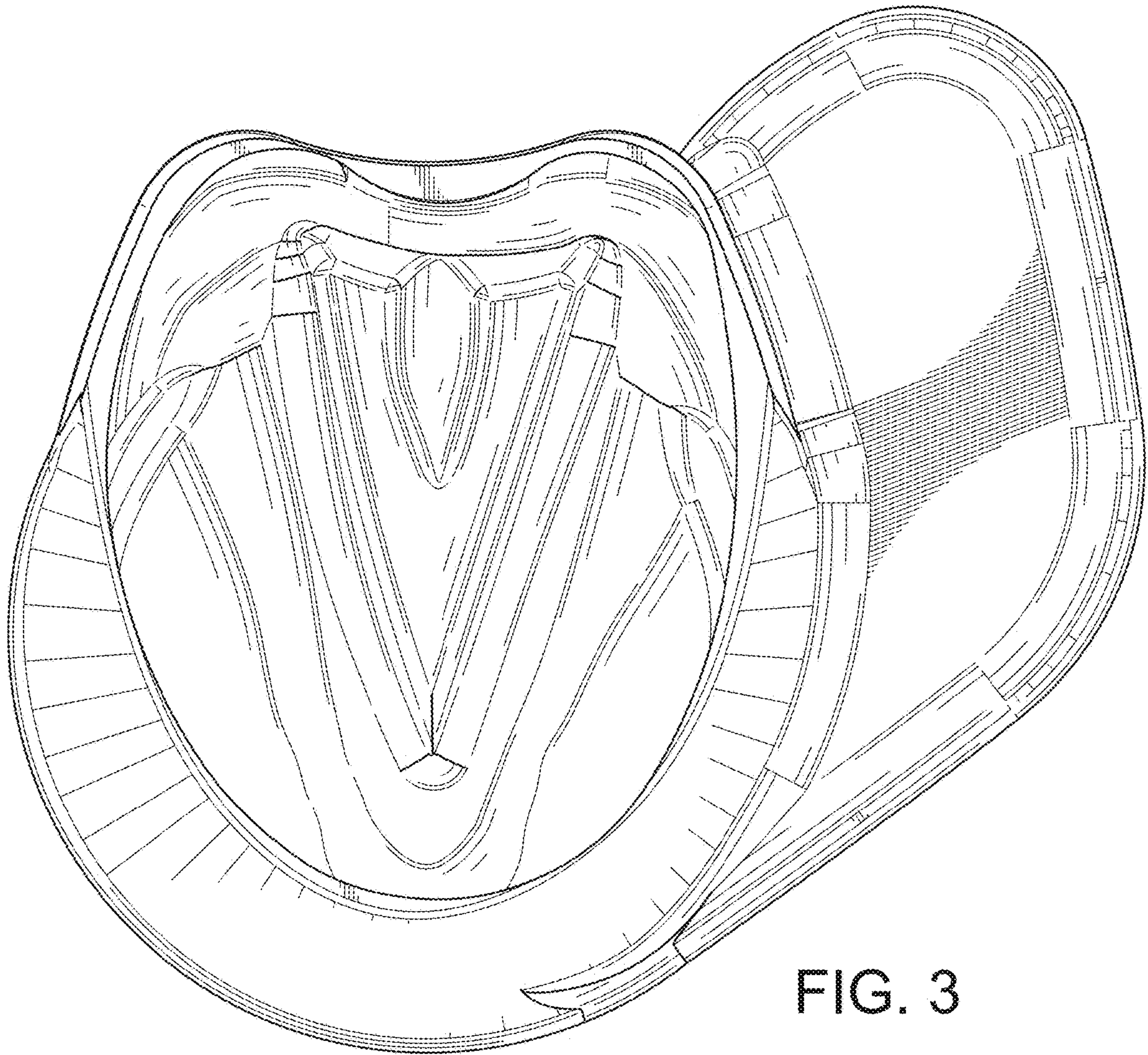
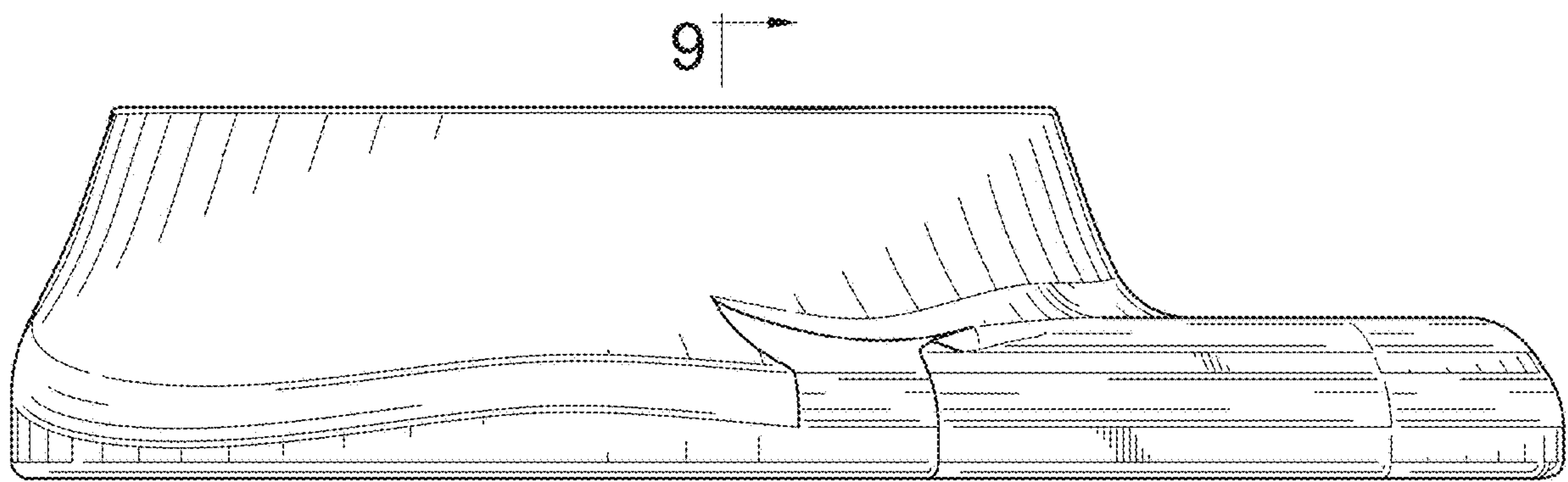


FIG. 3



9

9

FIG. 4

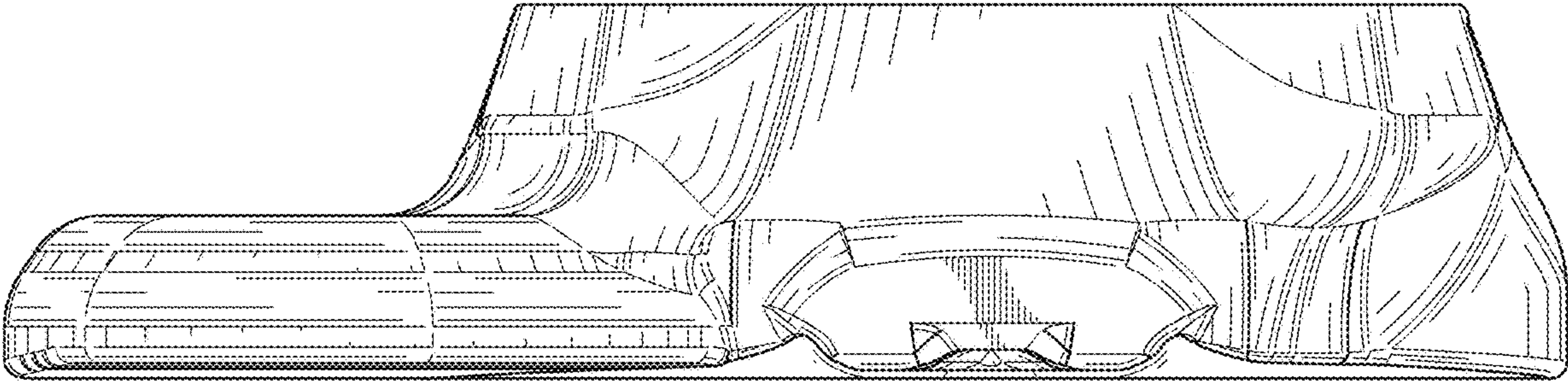


FIG. 5

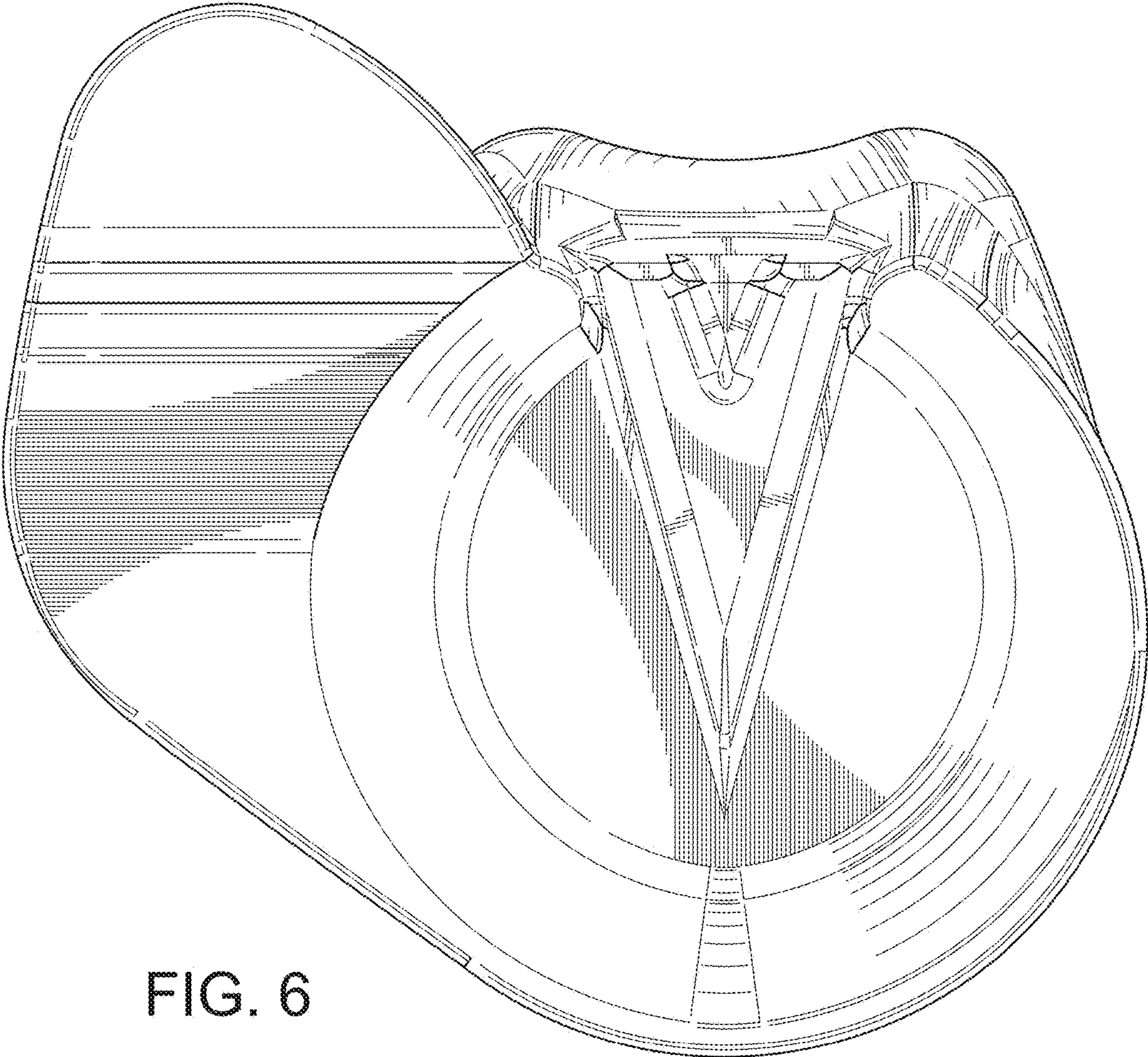


FIG. 6



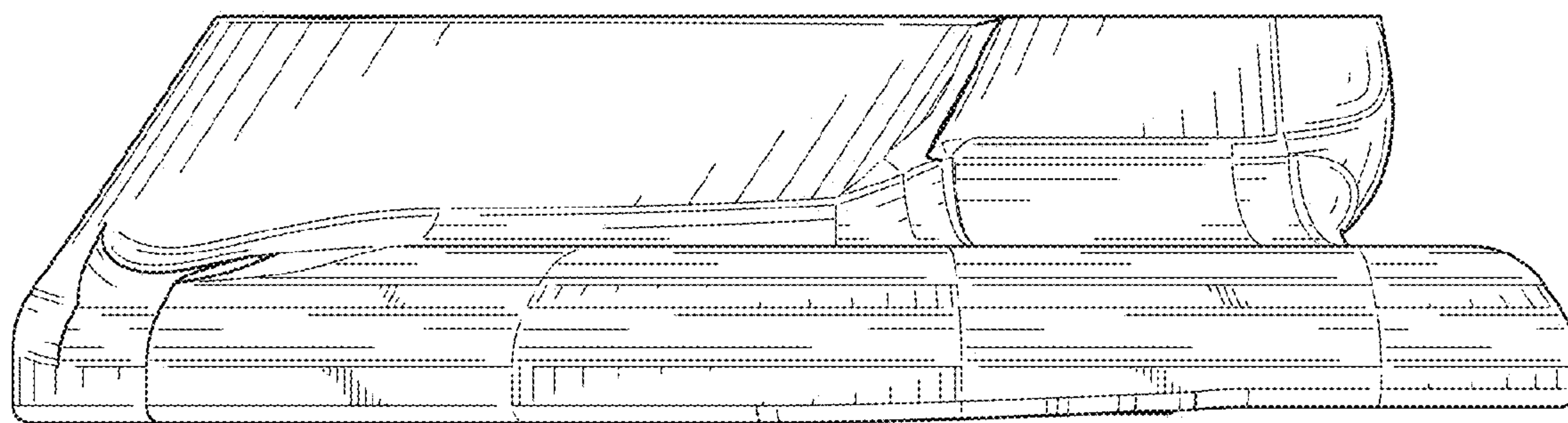


FIG. 7

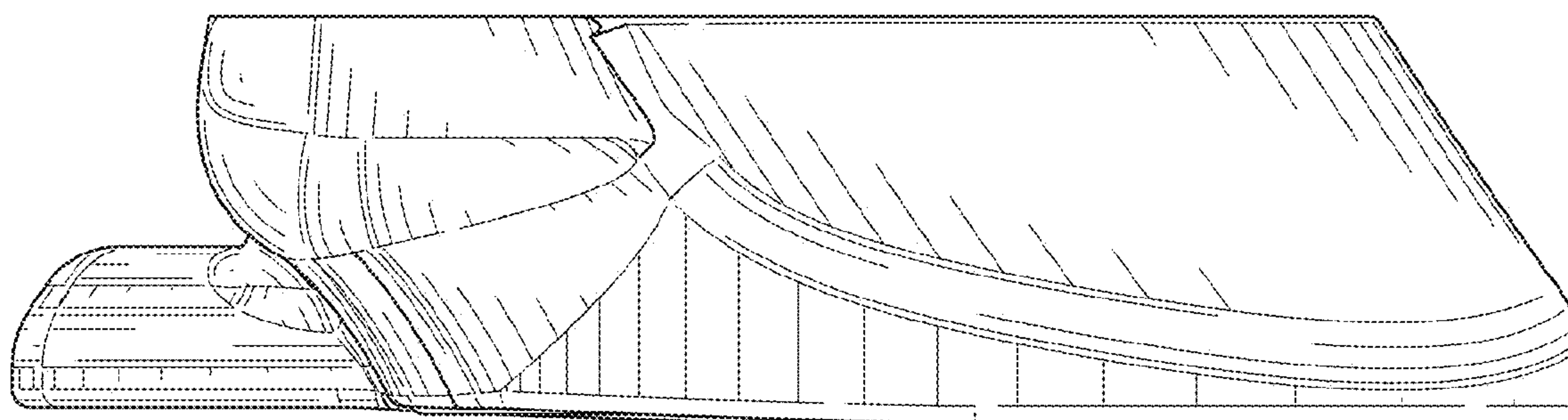


FIG. 8

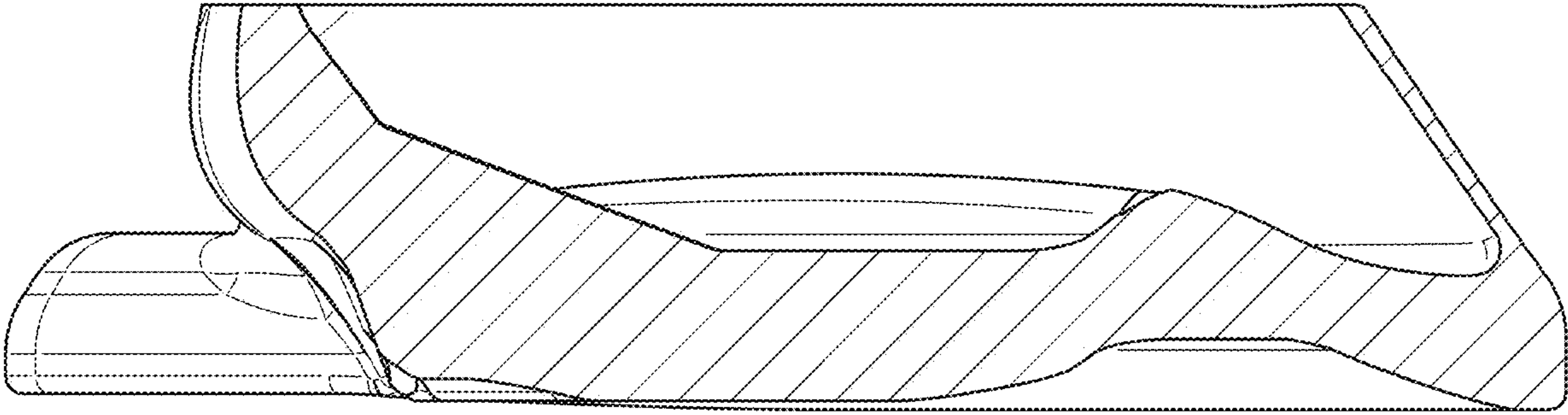


FIG. 9