



US00D906597S

(12) **United States Design Patent** (10) **Patent No.:** **US D906,597 S**
Wilson (45) **Date of Patent:** **** Dec. 29, 2020**

(54) **MASK WITH TABS AND SNAP**
(71) Applicant: **Ralph Davis Wilson**, Santa Monica, CA (US)
(72) Inventor: **Ralph Davis Wilson**, Santa Monica, CA (US)
(**) Term: **15 Years**
(21) Appl. No.: **29/652,117**
(22) Filed: **May 14, 2020**
(51) **LOC (12) Cl.** **29-02**
(52) **U.S. Cl.**
USPC **D29/108; D24/110.1**
(58) **Field of Classification Search**
USPC D29/100, 102, 105, 106, 107, 108, 110, D29/122; D2/878, 880, 881; D24/110.1
CPC A42B 5/00; A42B 3/18; A42B 3/20; A42B 1/046; A63B 71/08; A63B 71/10; A63B 71/105; A61F 9/04; A61F 9/06; A61F 9/029; A41D 13/11; A41D 13/1107; A41D 13/1161; A41D 13/1169; A41D 13/1176; A41G 7/00; A41G 7/02
See application file for complete search history.

5,636,628 A * 6/1997 Barnum A41D 13/1115
128/206.12
5,706,804 A * 1/1998 Baumann A41D 13/1115
128/206.12
5,803,075 A * 9/1998 Yavitz A62B 23/025
128/206.25
5,813,398 A * 9/1998 Baird A41D 13/1115
128/201.15
5,891,508 A * 4/1999 Barnum A41D 13/1115
128/206.12
5,927,280 A * 7/1999 Miyake A41D 13/1115
128/206.12
D420,769 S * 2/2000 White D24/110.1
6,062,220 A * 5/2000 Whitaker A41D 13/11
128/206.12
D464,726 S 10/2002 Wolfe
D511,209 S * 11/2005 Callan D24/110.1
(Continued)

Primary Examiner — Elizabeth J Oswecki
(74) *Attorney, Agent, or Firm* — Dunlap Bennett & Ludwig, PLLC

(57) **CLAIM**

The ornamental design for a mask with tabs and snap, as shown and described.

DESCRIPTION

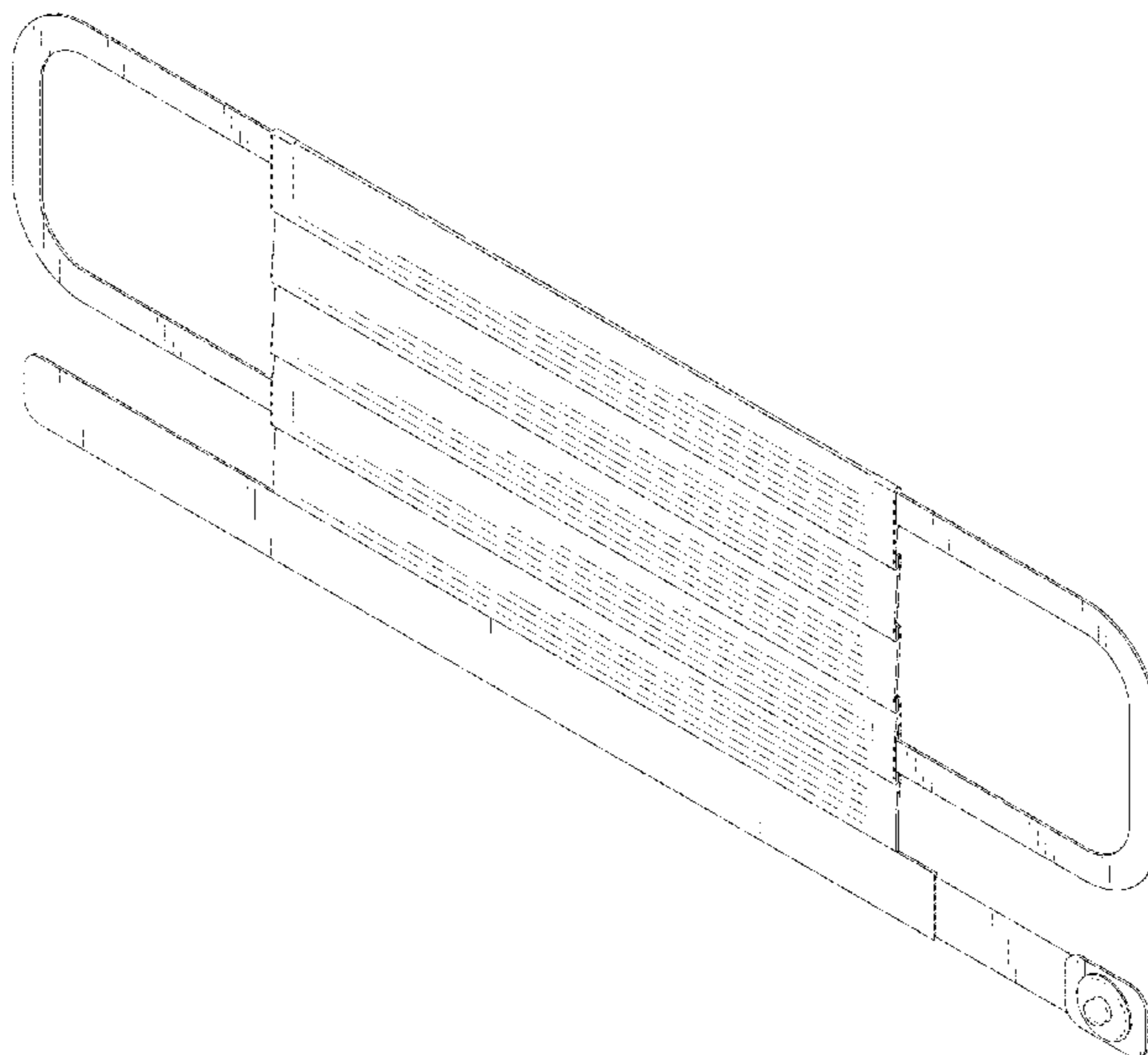
FIG. 1 is a top front perspective view of a mask with tabs and snap showing my new design;
FIG. 2 is a front elevation view thereof;
FIG. 3 is a top plan view thereof;
FIG. 4 is a bottom plan view thereof;
FIG. 5 is a rear elevation view thereof;
FIG. 6 is a right elevation view thereof;
FIG. 7 is a left elevation view thereof; and,
FIG. 8 is a top front perspective view thereof, shown in a used condition with a human figure shown in broken lines. The broken lines shown in the drawings depict environment that forms no part of the claimed invention.

1 Claim, 4 Drawing Sheets

(56) **References Cited**

U.S. PATENT DOCUMENTS

D210,181 S * 2/1968 Solomon D28/44.2
3,603,315 A * 9/1971 Becker, III A41D 13/1115
128/206.19
3,884,227 A * 5/1975 Lutz A41D 13/1115
128/206.19
4,635,628 A * 1/1987 Hubbard A41D 13/1115
128/201.17
4,920,960 A * 5/1990 Hubbard A41D 13/1115
128/206.12
4,941,470 A * 7/1990 Hubbard A41D 13/1115
128/206.13
4,969,457 A * 11/1990 Hubbard A41D 13/1115
128/206.12



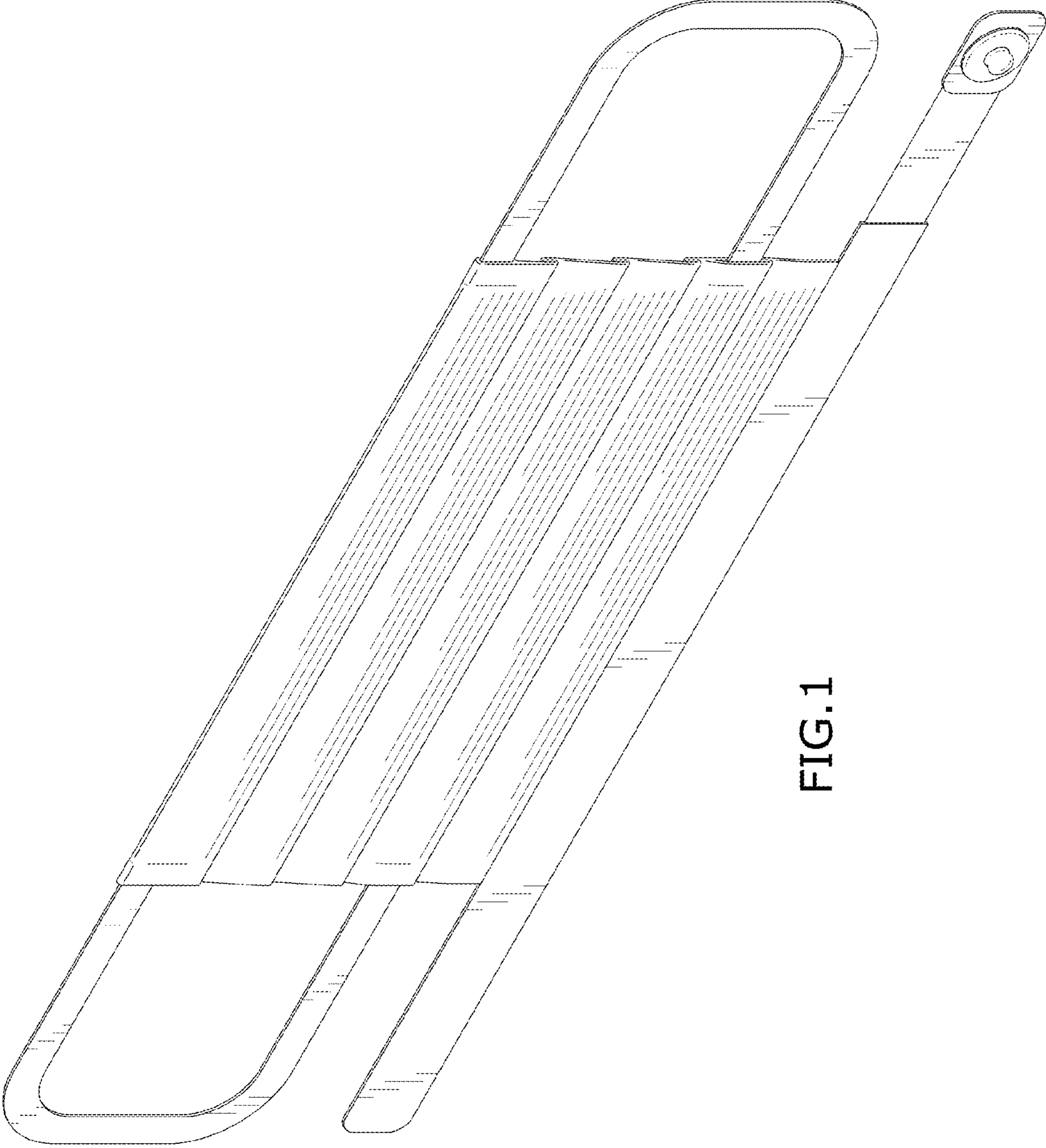


FIG.1

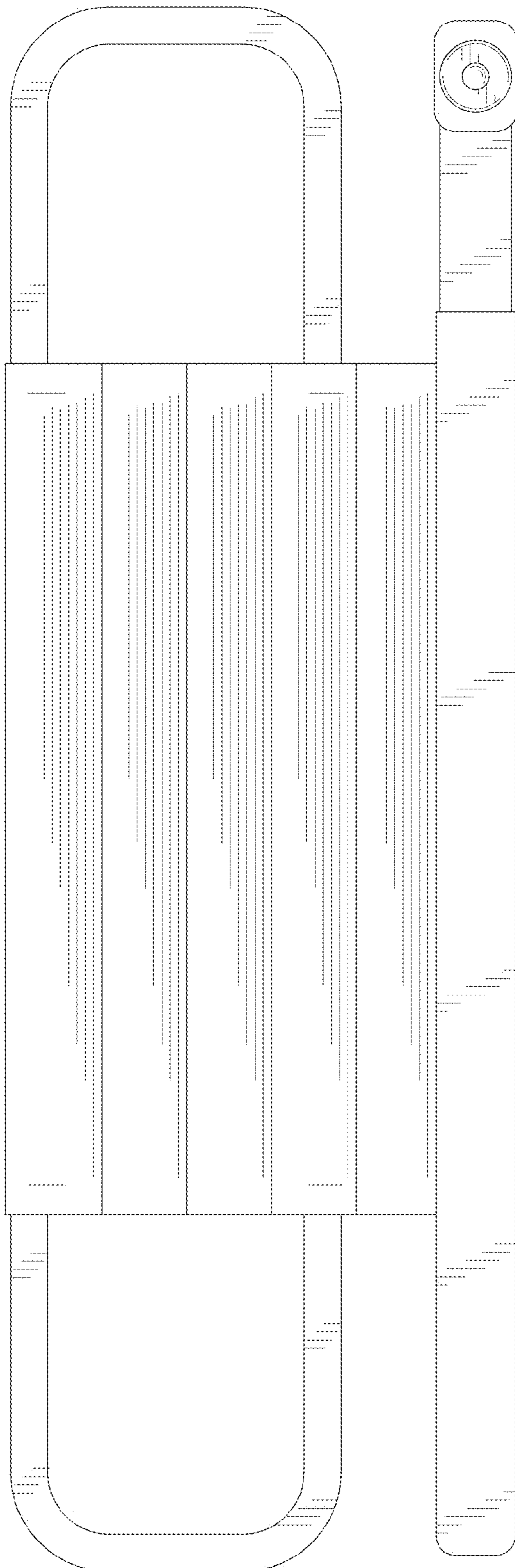


FIG. 2

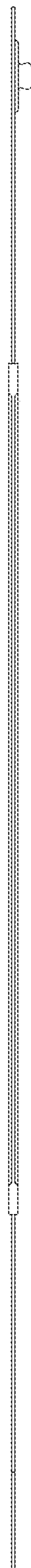


FIG. 3



FIG. 4

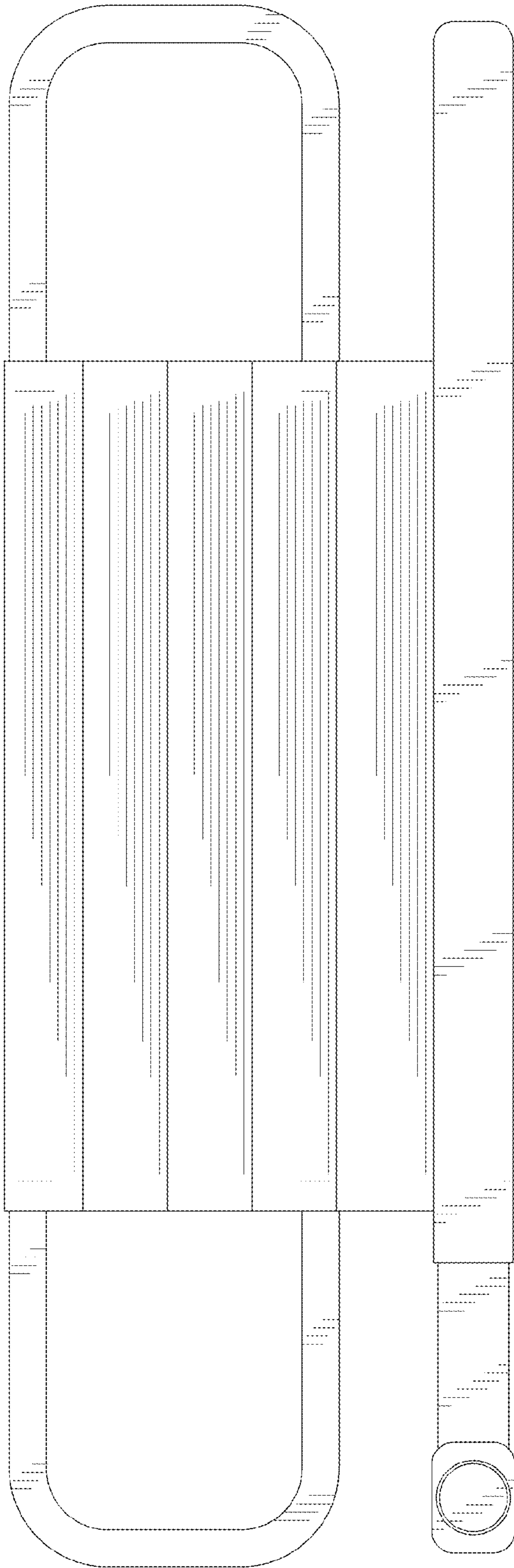


FIG. 5

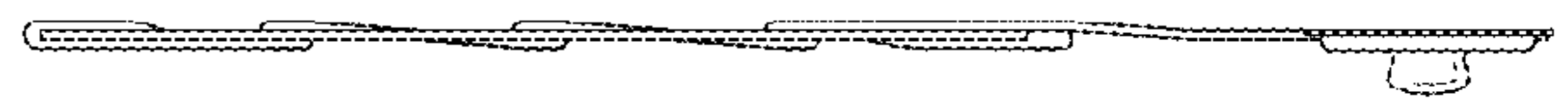


FIG. 6



FIG. 7

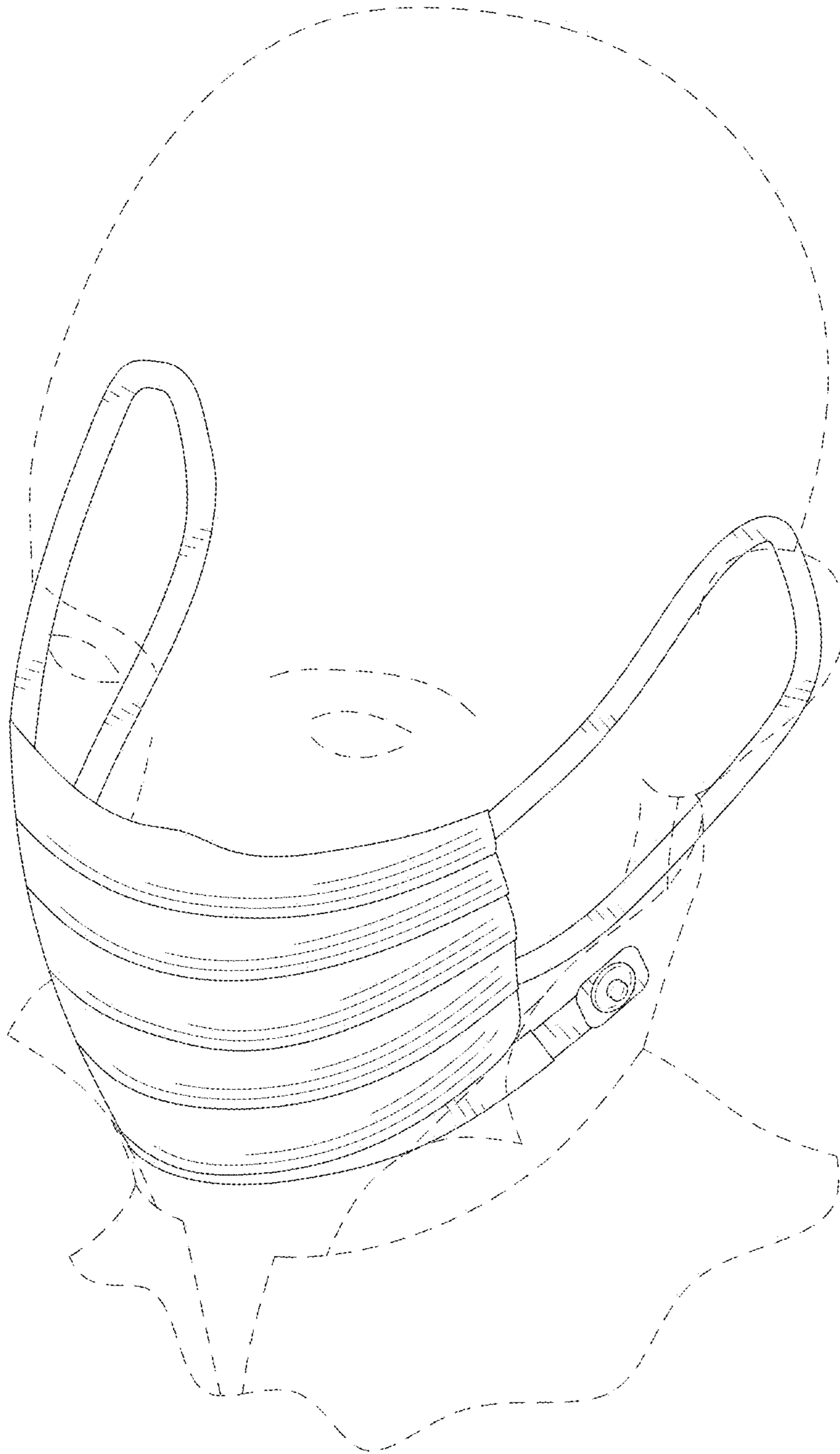


FIG. 8