



US00D906595S

(12) **United States Design Patent**
Gill et al.

(10) **Patent No.:** **US D906,595 S**

(45) **Date of Patent:** **** Dec. 29, 2020**

(54) **WOMEN'S CONTOURED SAFETY VEST**

(71) Applicant: **KwikSpace Guam, Inc.**, Hagatna, GU (US)

(72) Inventors: **Peter E. Gill**, Tamuning, GU (US);
Peter E. Gill, III, Tamuning, GU (US)

(73) Assignee: **KWIKSPACE GUAM**, Hagatna, GU (US)

(**) Term: **15 Years**

(21) Appl. No.: **29/675,914**

(22) Filed: **Jan. 7, 2019**

(51) **LOC (12) Cl.** **02-02**

(52) **U.S. Cl.**
USPC **D29/101.4**

(58) **Field of Classification Search**
USPC D29/100, 101.1, 101.2, 101.3, 101.4,
D29/101.5; D2/829, 828, 830, 833, 835,
D2/836, 838, 839

CPC A41D 1/04; A41D 13/01; A41D 2300/332;
A41D 2600/20; A41D 31/32; A61F 11/08

See application file for complete search history.

(56) **References Cited**

U.S. PATENT DOCUMENTS

D140,477 S *	2/1945	Herrmann	D2/829
D359,610 S *	6/1995	Armistead	D2/828
D590,545 S *	4/2009	Lesley	D29/101.4
D598,166 S *	8/2009	Kemper	D29/101.4
D656,681 S *	3/2012	Reisler	D29/101.4
D689,262 S *	9/2013	Passman	D2/829
D694,474 S *	11/2013	Barker	D29/101.4
D694,957 S *	12/2013	Barker	D29/101.4
D792,027 S *	7/2017	Gill	D29/101.4
D804,100 S *	11/2017	Gill	D29/101.4

9,968,141 B2 *	5/2018	Ward	G01N 1/2273
10,383,376 B1 *	8/2019	Baldonado	A41D 13/01
10,420,689 B1 *	9/2019	Foster	A41D 13/0007
D877,419 S *	3/2020	Shi	D29/101.4
D892,437 S *	8/2020	Swank	D2/829
D896,444 S *	9/2020	Shi	D29/101.4
2006/0026731 A1 *	2/2006	Qashou	A41D 13/01 2/69
2010/0031417 A1 *	2/2010	Grilliot	A41D 13/01 2/102
2014/0022766 A1 *	1/2014	Wright	G08B 5/004 362/108
2019/0037934 A1 *	2/2019	Swank	G08B 21/02
2019/0364988 A1 *	12/2019	Driessen	A61F 11/12
2019/0384556 A1 *	12/2019	De Backer	A41D 13/01
2020/0315269 A1 *	10/2020	Roberts	A41D 1/04

* cited by examiner

Primary Examiner — Kimberly Barnes

(74) *Attorney, Agent, or Firm* — Donald J. Ersler

(57) **CLAIM**

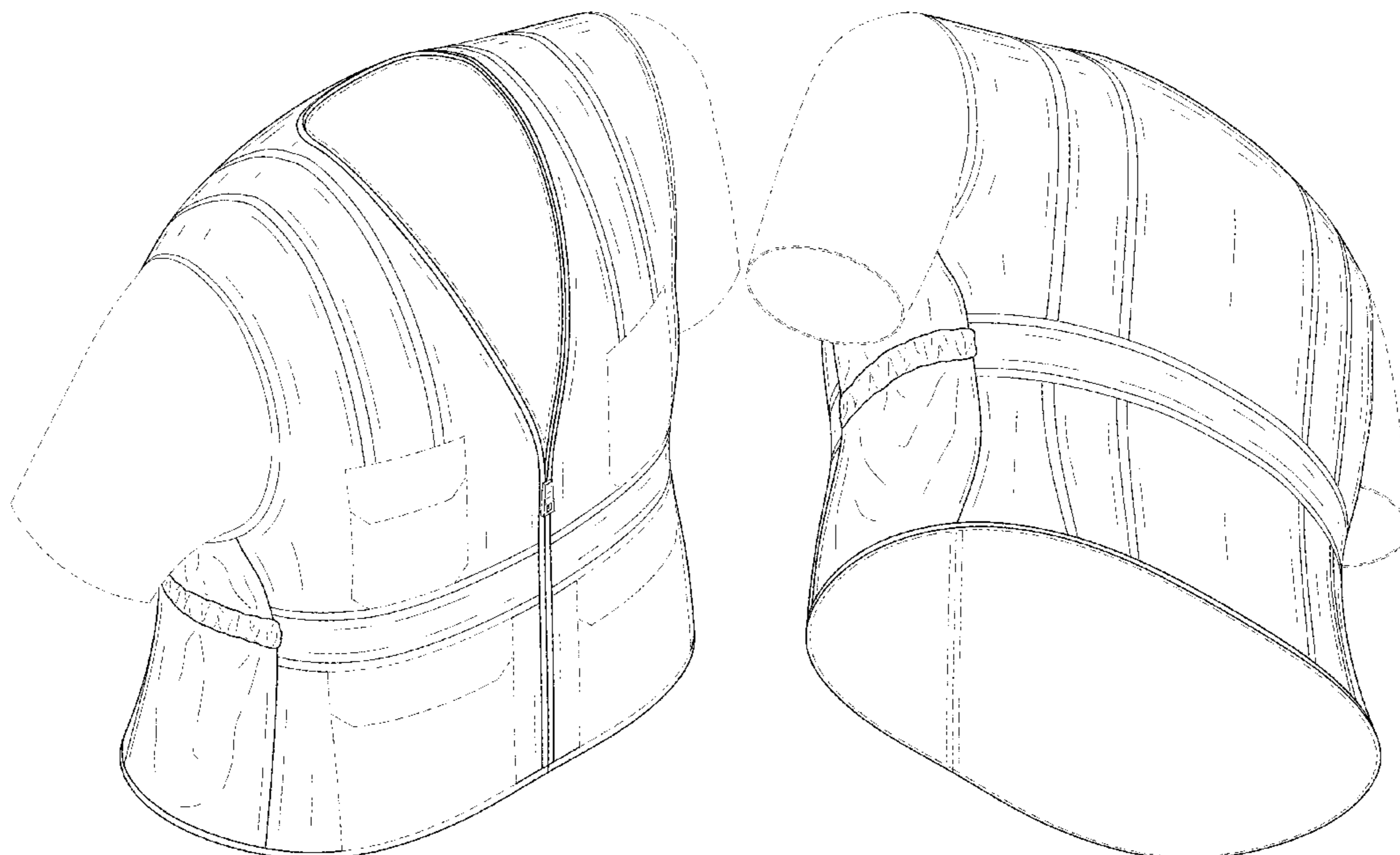
The ornamental design for a women's contoured safety vest, as shown and described.

DESCRIPTION

FIG. 1 is a top perspective view of a women's contoured safety vest incorporating our new design; FIG. 2 is a bottom perspective view thereof; FIG. 3 is a top plan view thereof; FIG. 4 is a bottom plan view thereof; FIG. 5 is a left side view thereof; FIG. 6 is a right side view thereof; FIG. 7 is a front view thereof; and, FIG. 8 is a rear view thereof.

The broken lines shown in the drawings illustrate portions of the women's contoured safety vest that form no part of the claimed invention.

1 Claim, 7 Drawing Sheets



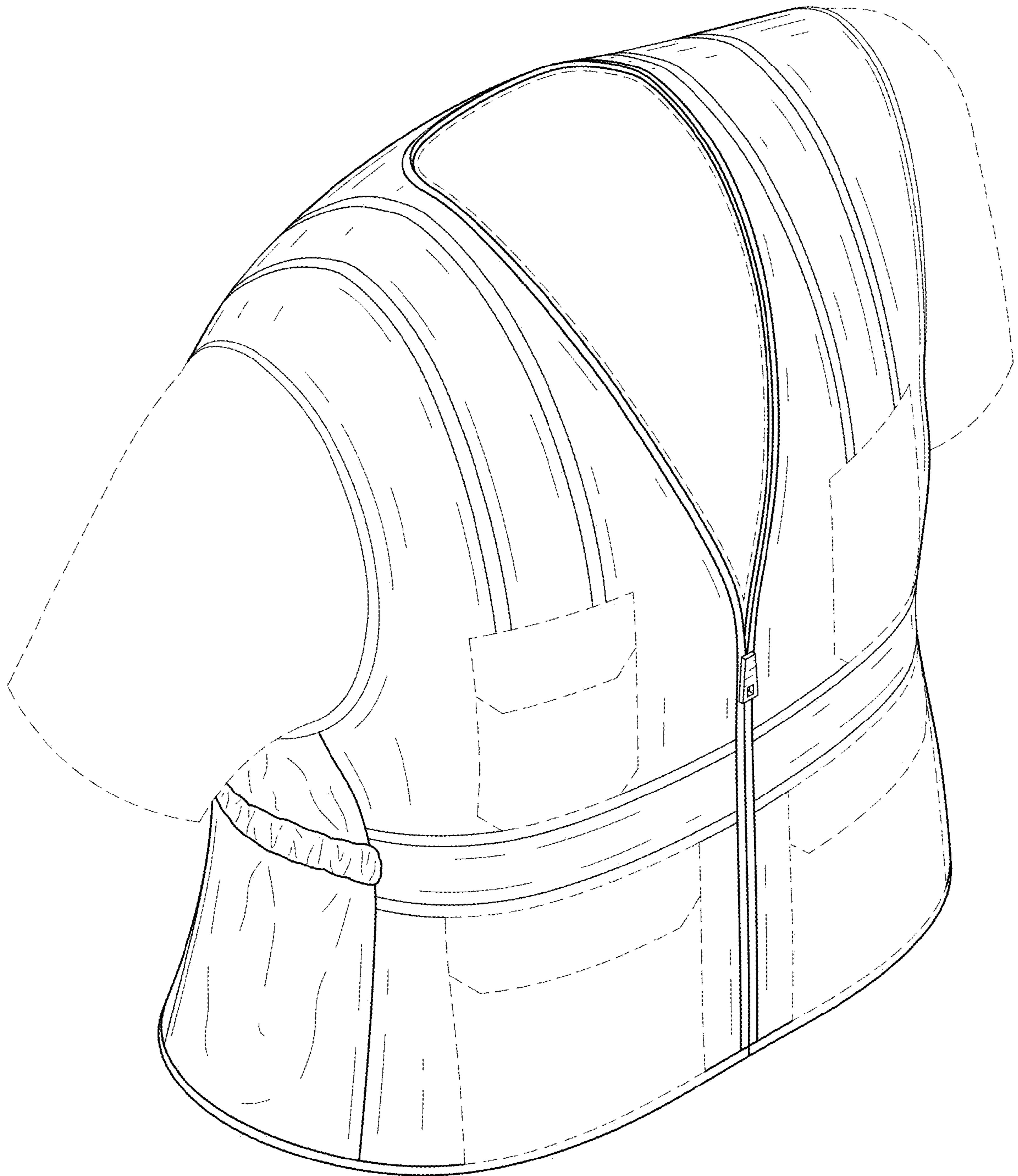


FIG. 1

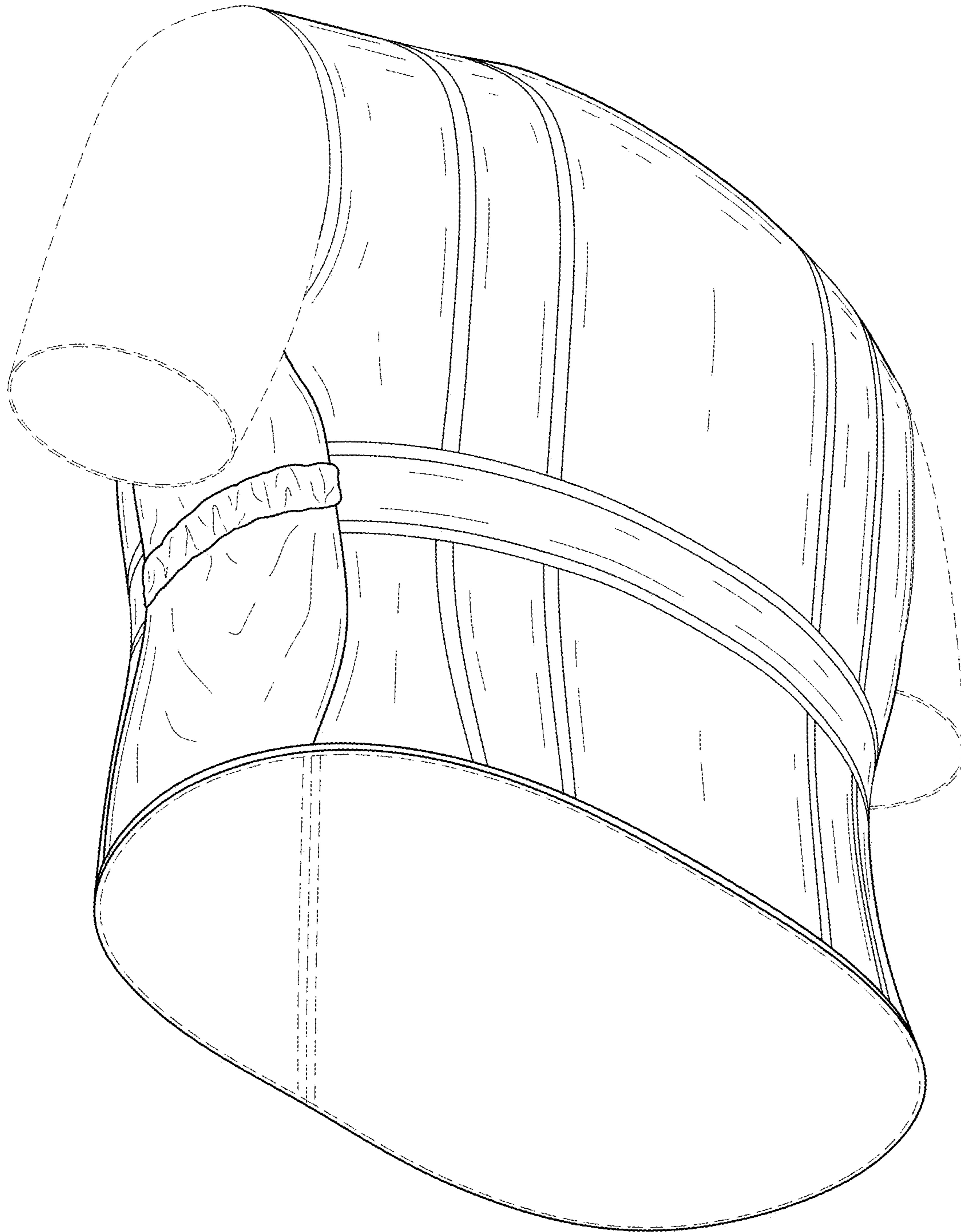


FIG. 2

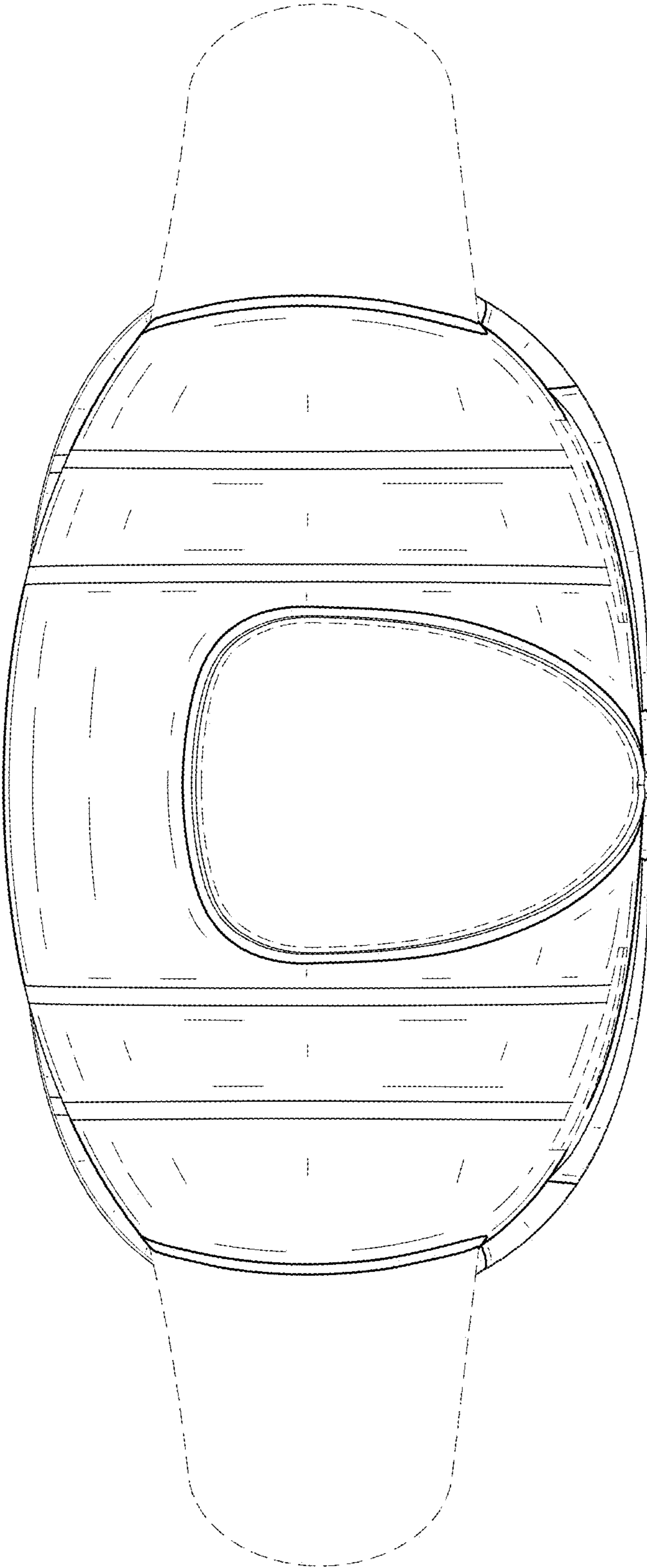


FIG. 3

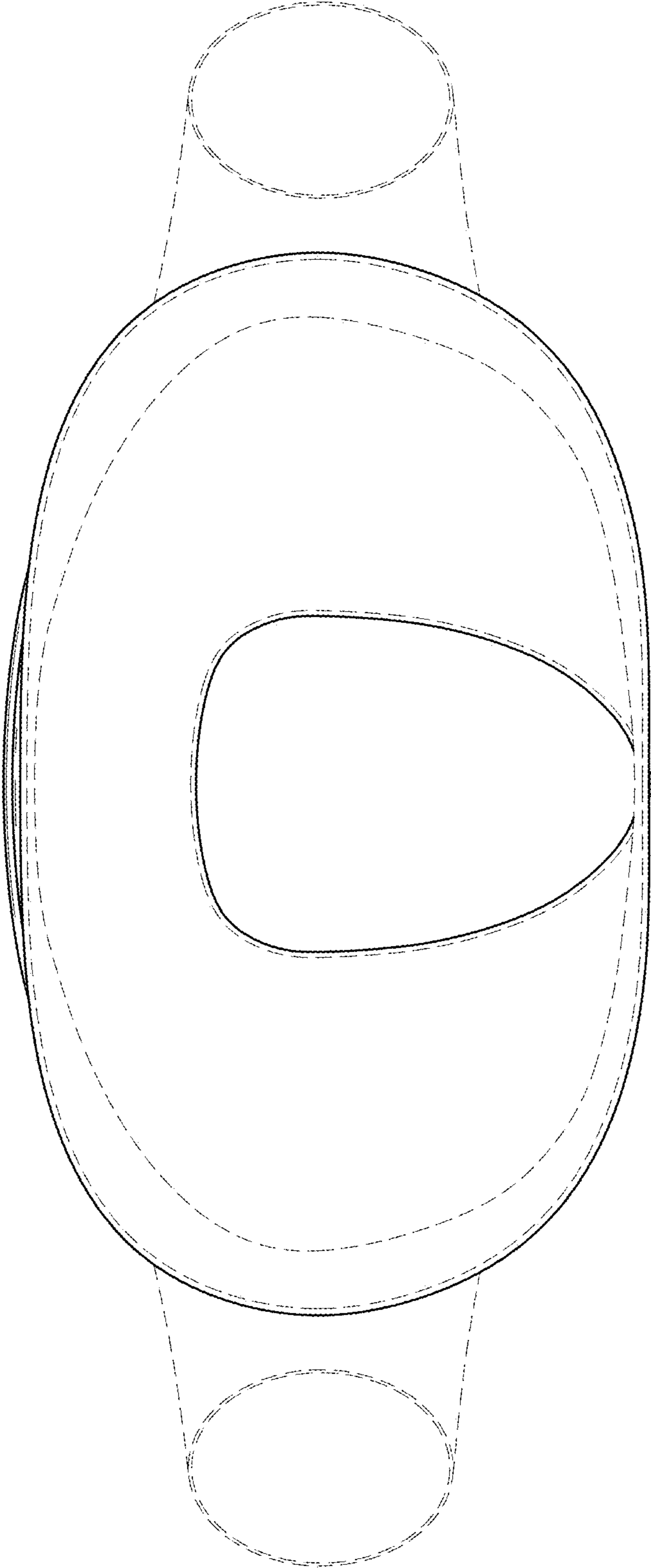


FIG. 4

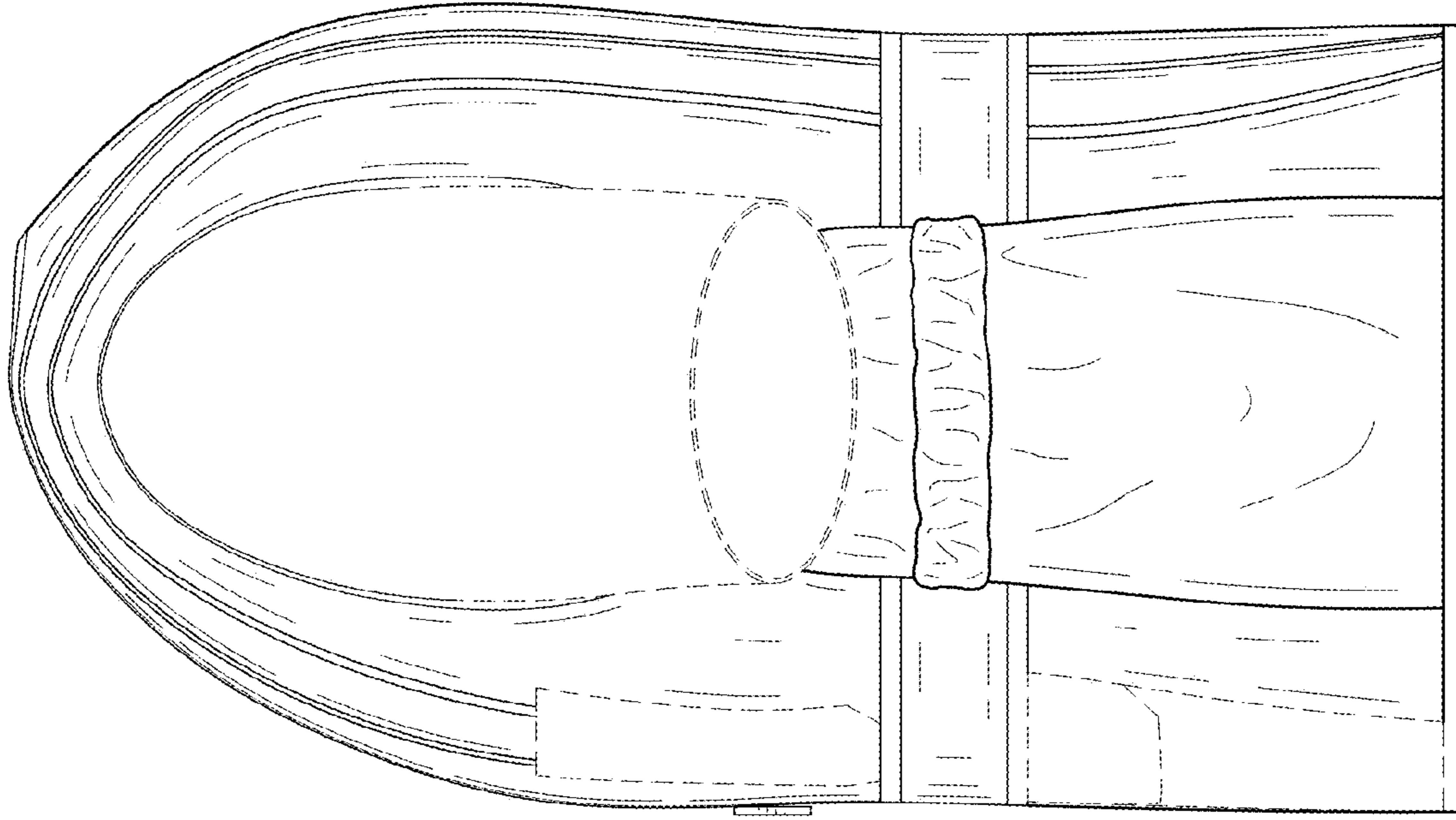


FIG. 6

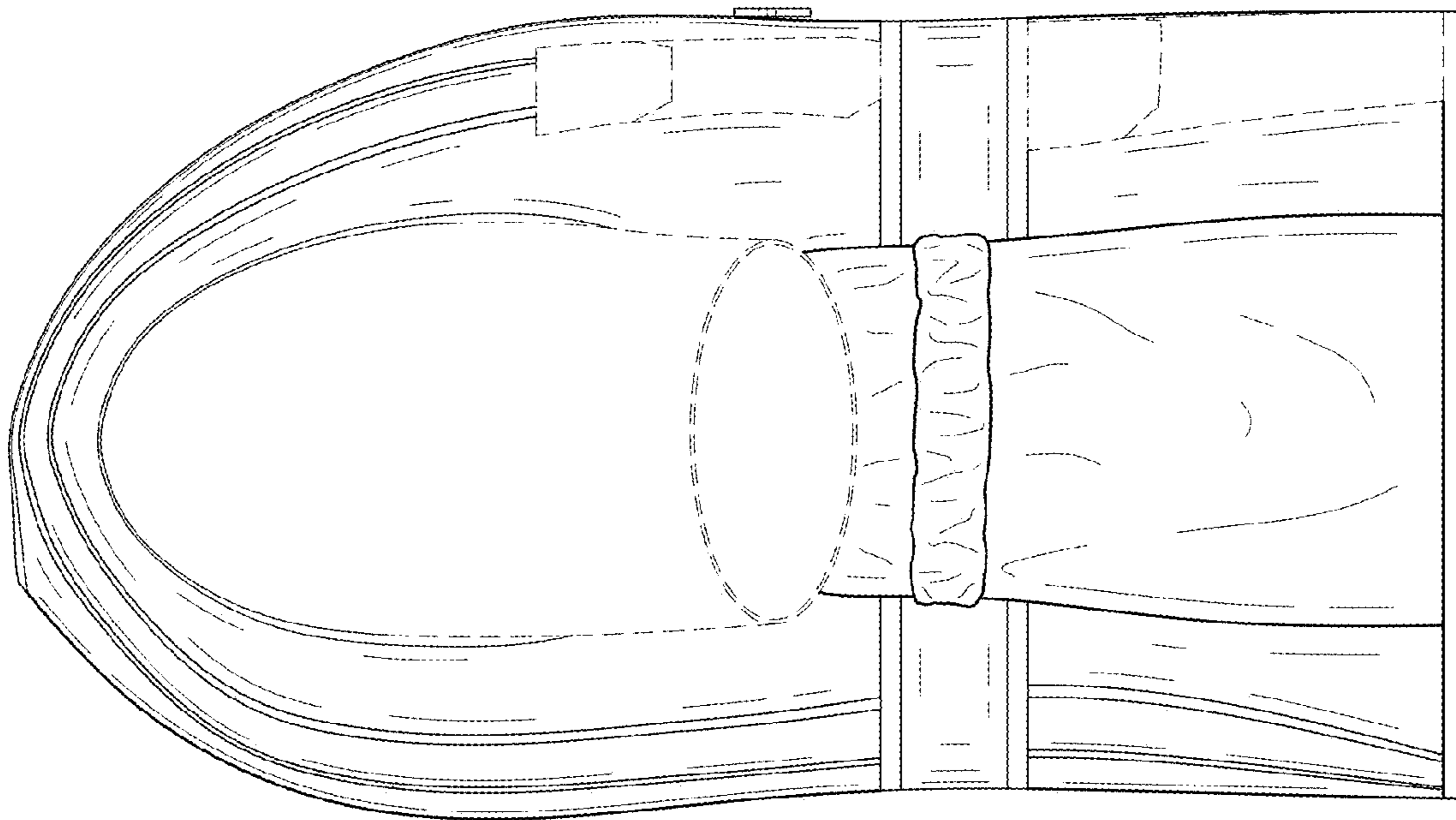


FIG. 5

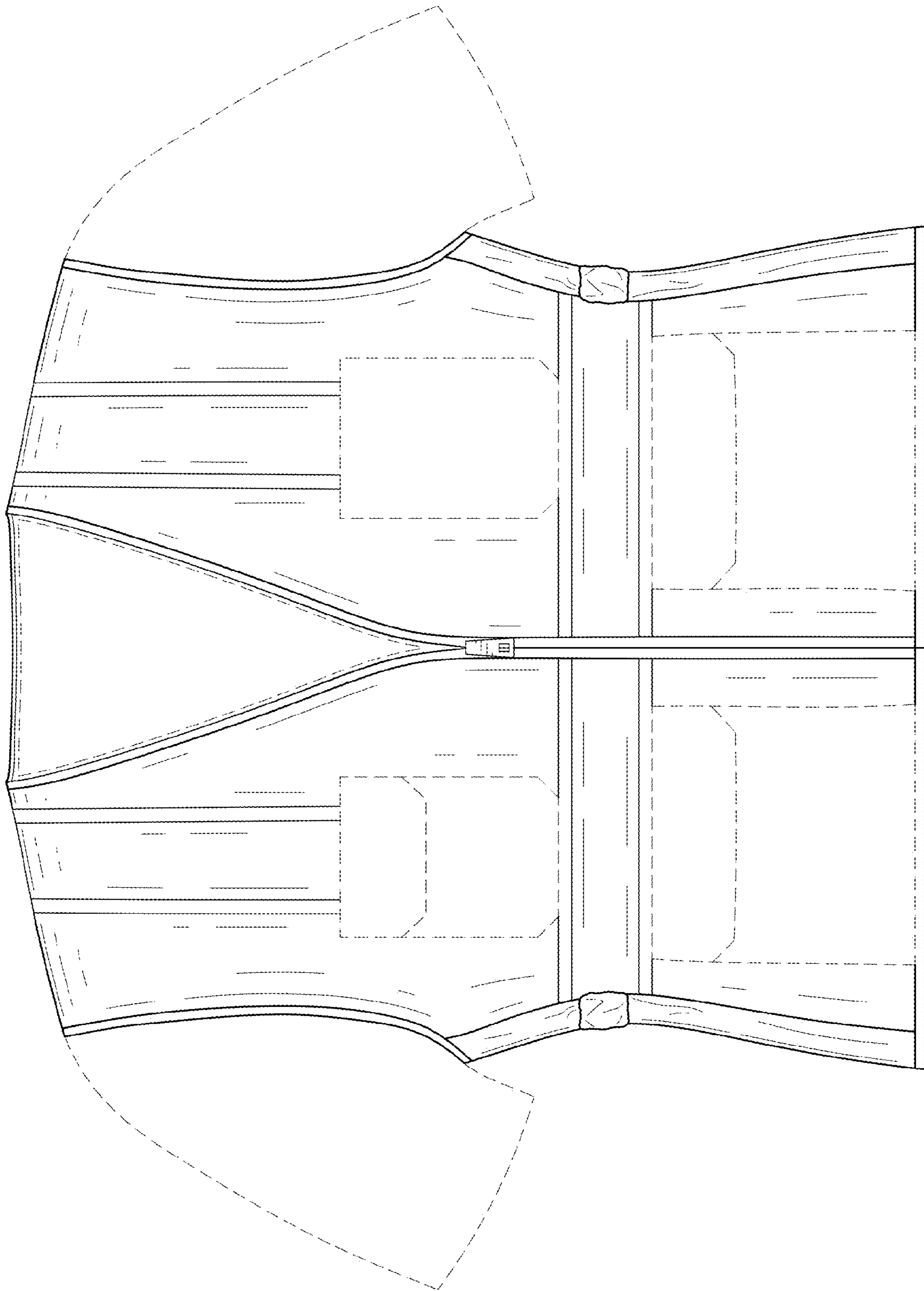


FIG. 7

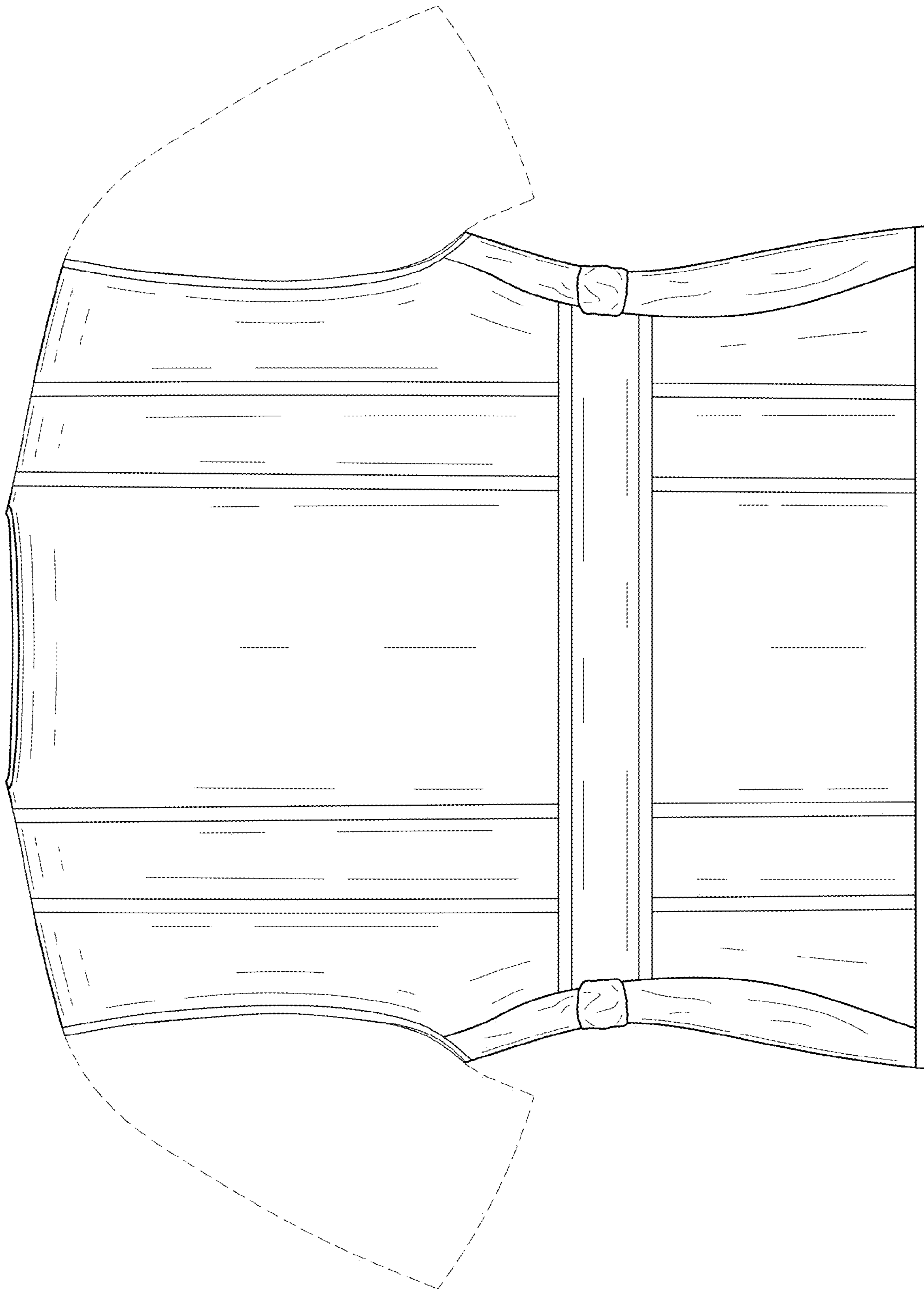


FIG. 8