



US00D906592S

(12) **United States Design Patent** (10) **Patent No.:** **US D906,592 S**  
**Zhu** (45) **Date of Patent:** **\*\* Dec. 29, 2020**

(54) **EYEBROW TRIMMER**  
(71) Applicant: **SHENZHEN COSQUEEN TECHNOLOGY CO., LTD**, Shenzhen (CN)  
(72) Inventor: **Cailin Zhu**, Jixi (CN)  
(73) Assignee: **SHENZHEN COSQUEEN TECHNOLOGY CO., LTD**, Shenzhen (CN)  
(\*\*) Term: **15 Years**

D513,092 S \* 12/2005 Ajootian ..... D28/53  
D514,257 S 1/2006 Bokelman-Dumas  
D516,245 S \* 2/2006 Ohta ..... D28/49  
D554,291 S \* 10/2007 Darnell ..... D19/163  
D561,941 S \* 2/2008 Khubani ..... D28/53  
D569,552 S \* 5/2008 Marquez ..... D28/53  
D620,644 S \* 7/2010 Lau ..... D28/54  
D634,067 S \* 3/2011 Stowers ..... D28/53  
8,563,904 B2 \* 10/2013 Cho ..... H05B 1/0252  
219/501  
D712,711 S 9/2014 Nikas  
D748,859 S \* 2/2016 Boulanger ..... D28/53  
D758,663 S \* 6/2016 Van Maanen ..... D28/53  
D776,877 S \* 1/2017 Zadro ..... D28/50  
D831,274 S \* 10/2018 Gamble ..... D28/53  
D889,043 S \* 6/2020 Stowers ..... D28/51

(Continued)

(21) Appl. No.: **29/747,140**  
(22) Filed: **Aug. 20, 2020**

Primary Examiner — Jennifer Rivard

(30) **Foreign Application Priority Data**

(57) **CLAIM**

Jun. 23, 2020 (CN) ..... 2020 3 0328523

The ornamental design for an eyebrow trimmer, as shown and described.

(51) **LOC (12) Cl.** ..... **28-03**

**DESCRIPTION**

(52) **U.S. Cl.**  
USPC ..... **D28/53**

(58) **Field of Classification Search**  
USPC ..... D28/49–54  
CPC ..... B26B 19/00–08; B26B 19/10–12; B26B 19/20–24; B26B 19/26–265; B26B 19/38–3826; B26B 19/3873–3893; B26B 19/42

FIG. 1 is a perspective view of an eyebrow trimmer showing my new design;  
FIG. 2 is another perspective view thereof;  
FIG. 3 is a front elevational view thereof;  
FIG. 4 is a rear elevational view thereof;  
FIG. 5 is a left side elevational view thereof;  
FIG. 6 is a right side elevational view thereof;  
FIG. 7 is a top plan view thereof;  
FIG. 8 is a bottom plan view thereof;  
FIG. 9 is a perspective view of the eyebrow trimmer where a lid is attached to the eyebrow trimmer;  
FIG. 10 is an enlarged view of portion 10 shown in FIG. 3; and,  
FIG. 11 is an enlarged view of portion 11 shown in FIG. 4.  
The broken lines in the drawings depict portions of the eyebrow trimmer that form no part of the claimed design.

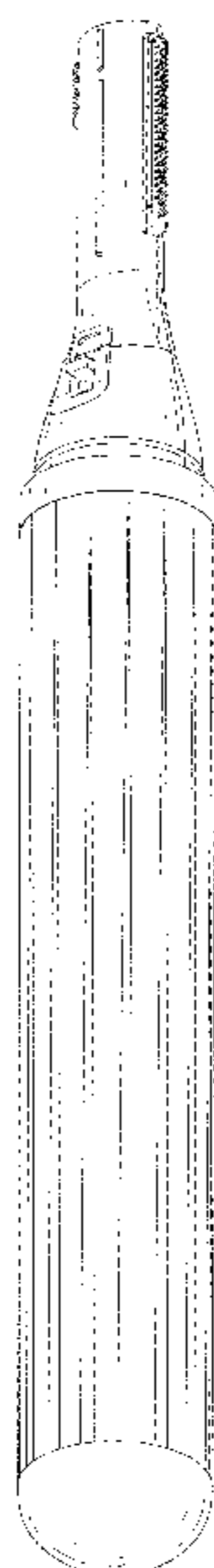
See application file for complete search history.

(56) **References Cited**

**U.S. PATENT DOCUMENTS**

D400,303 S \* 10/1998 Tanaka ..... D28/49  
D476,444 S \* 6/2003 Hara ..... D28/50  
D485,013 S \* 1/2004 Leventhal ..... D28/52  
D488,260 S \* 4/2004 Khubani ..... D28/53  
D497,035 S \* 10/2004 Khubani ..... D28/53  
D509,026 S \* 8/2005 Leventhal ..... D28/53

**1 Claim, 11 Drawing Sheets**



(56)

**References Cited**

U.S. PATENT DOCUMENTS

D891,701 S *	7/2020	Baratelli .....	D28/53
D894,490 S *	8/2020	Baratelli .....	D28/53
D898,288 S *	10/2020	Stowers .....	D28/51
2005/0262696 A1 *	12/2005	Ouchi .....	B26B 19/063
			30/50
2006/0156551 A1 *	7/2006	Khubani .....	B26B 19/3893
			30/130

\* cited by examiner

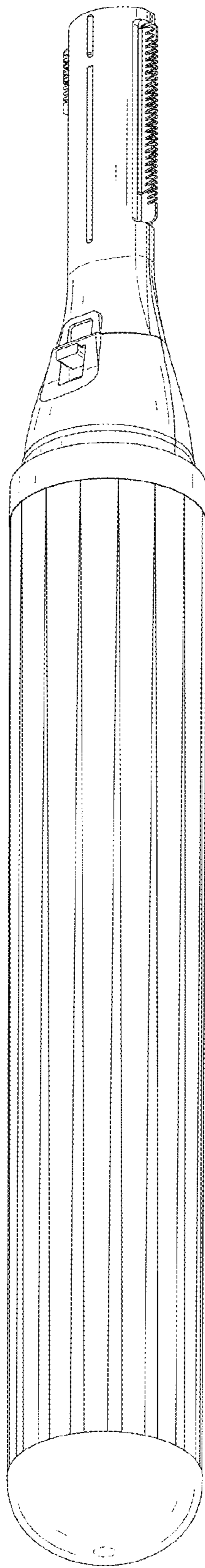


FIG. 1

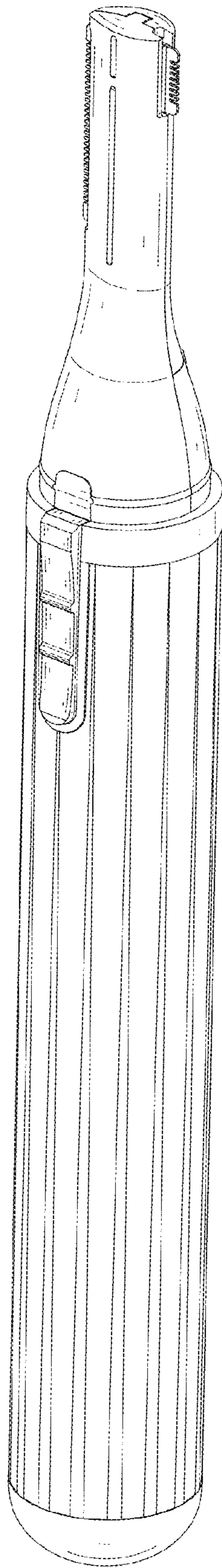


FIG. 2

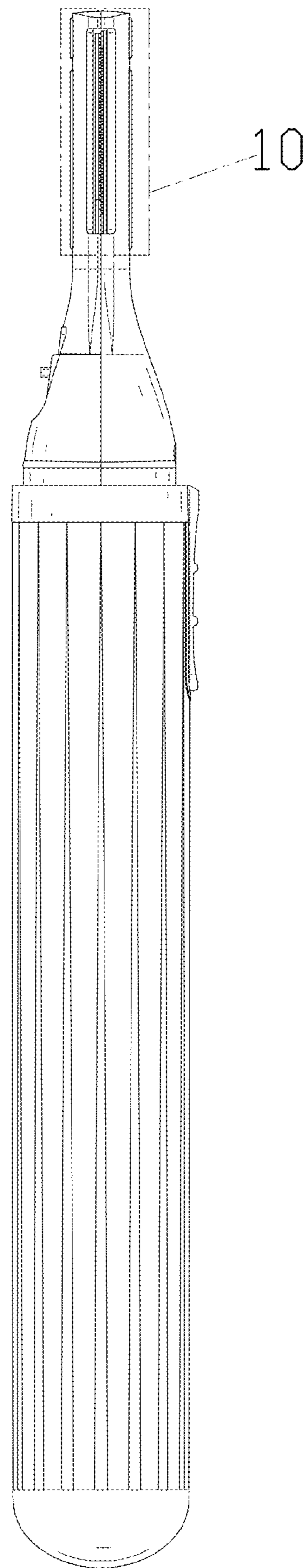


FIG. 3

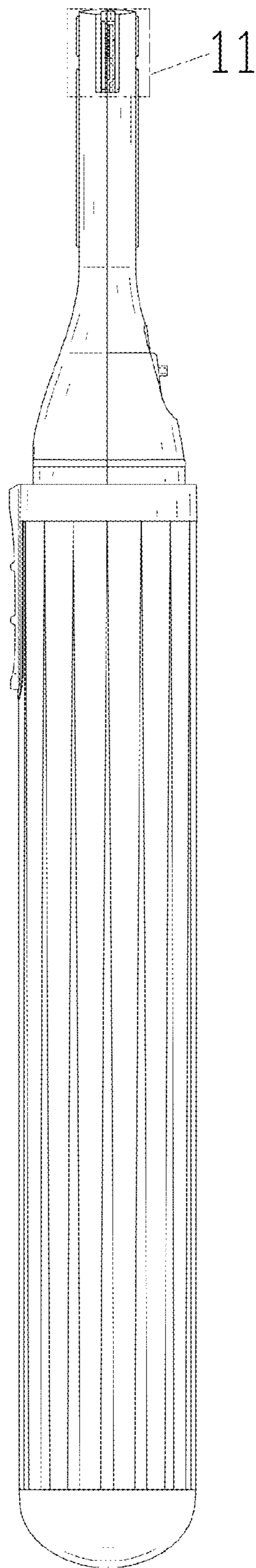


FIG. 4

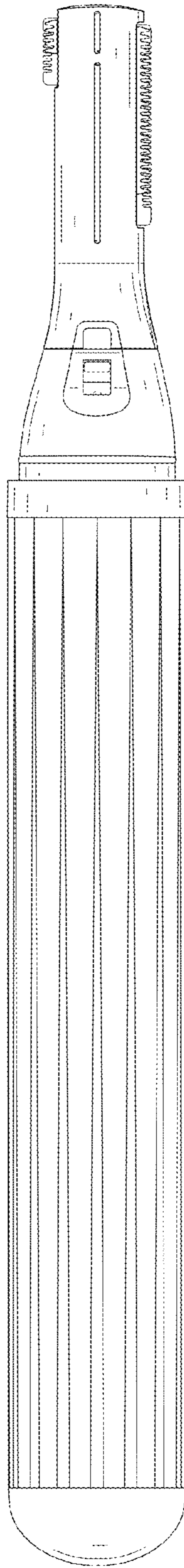


FIG. 5

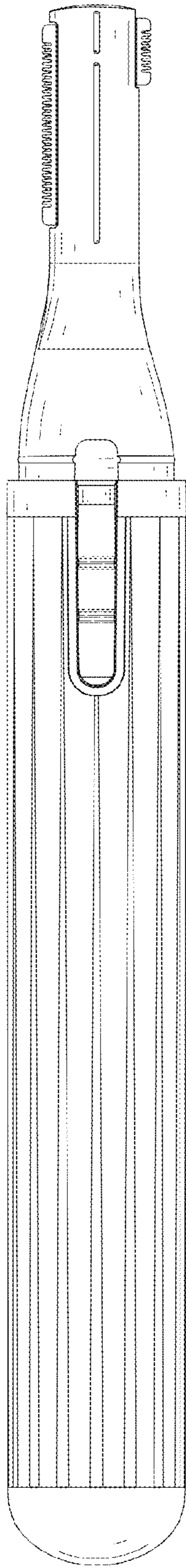


FIG. 6



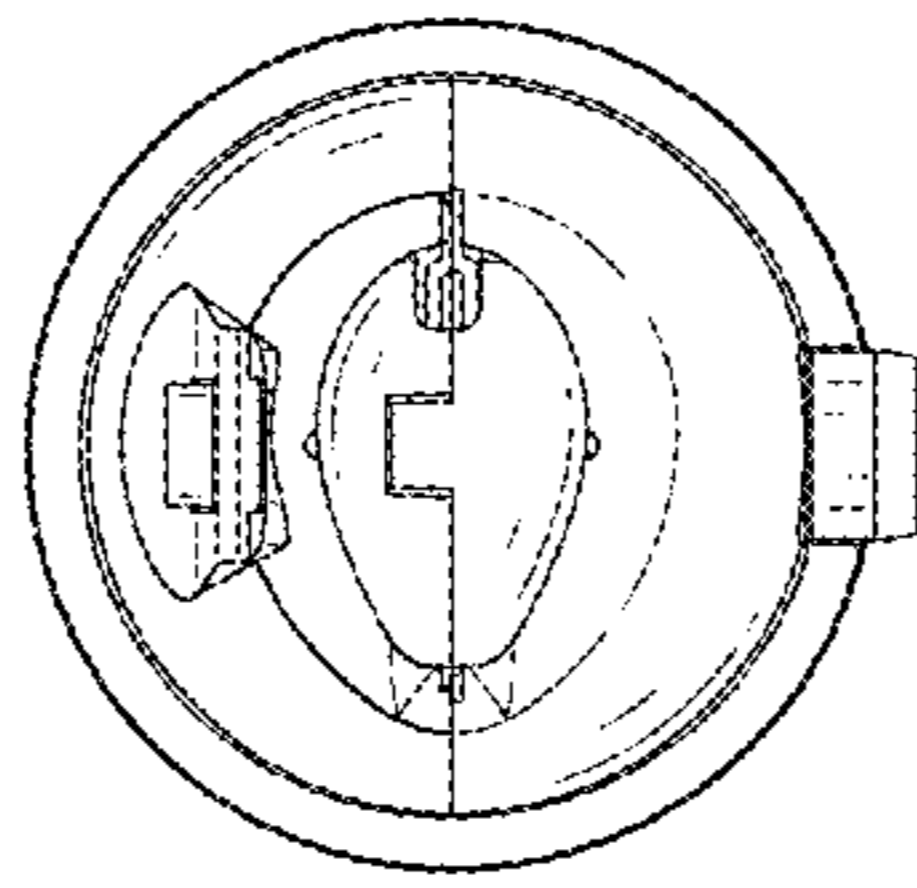


FIG. 7

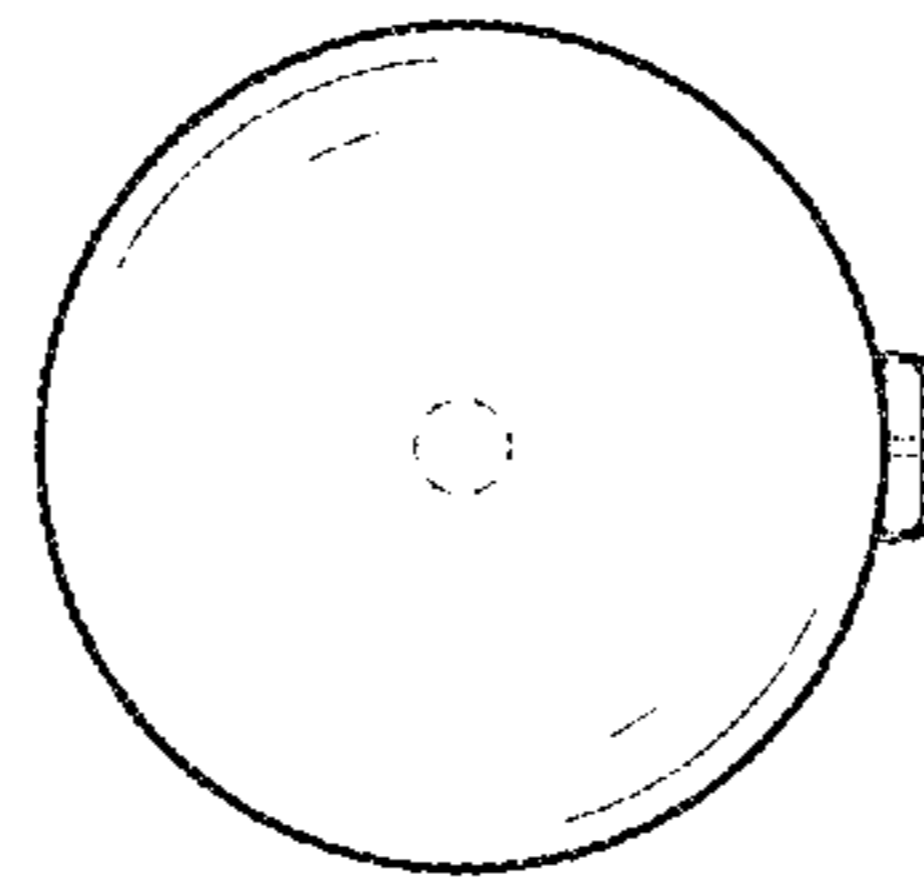


FIG. 8

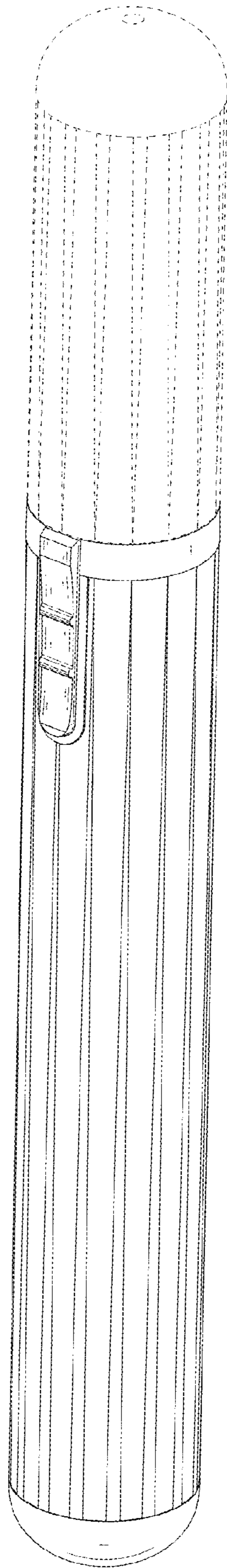


FIG. 9

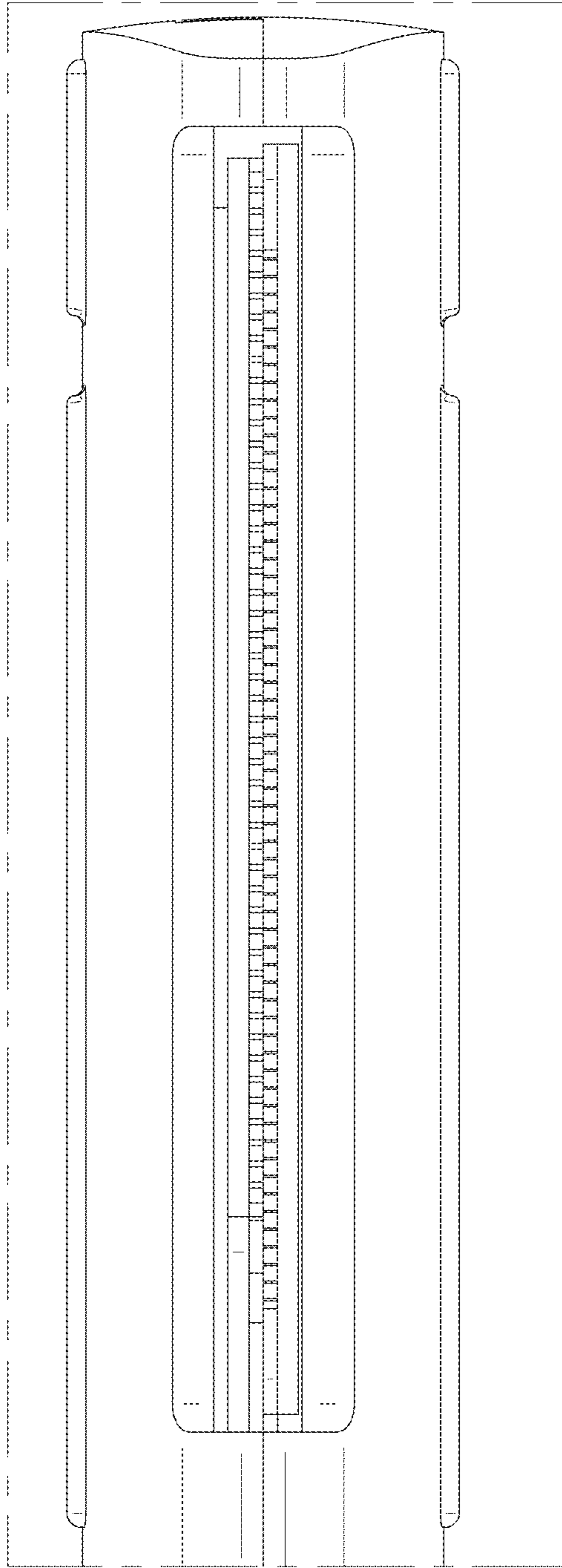


FIG. 10

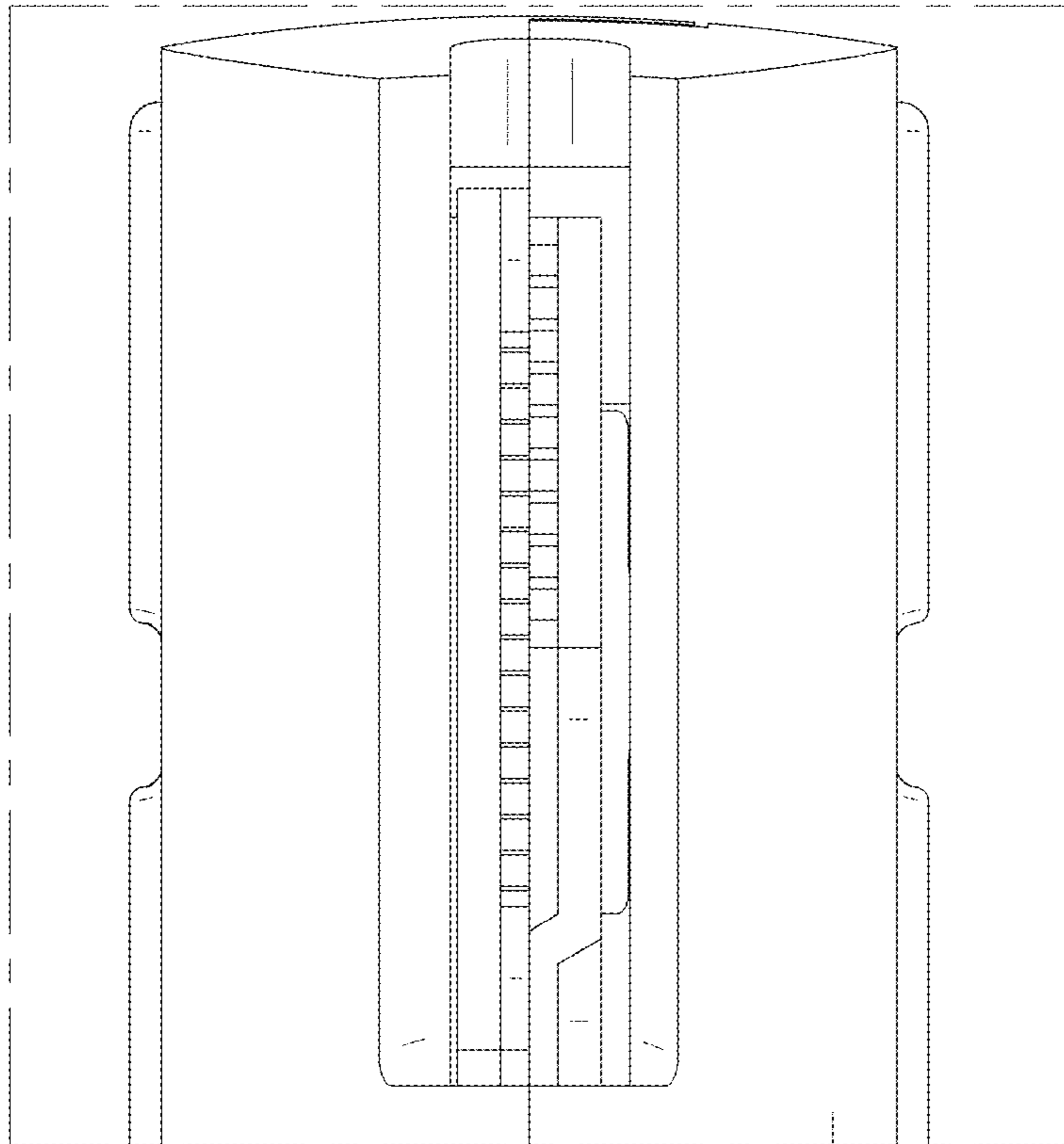


FIG. 11