



US00D906590S

(12) **United States Design Patent**
Kang

(10) **Patent No.:** **US D906,590 S**
(45) **Date of Patent:** **** Dec. 29, 2020**

(54) **AIR INTAKE CAP FOR HAIR DRYER**

(71) Applicant: **JMW CO., LTD.**, Seoul (KR)

(72) Inventor: **Jong Kwon Kang**, Hwaseong-si (KR)

(73) Assignee: **JMW CO., LTD.**, Seoul (KR)

(**) Term: **15 Years**

(21) Appl. No.: **29/697,033**

(22) Filed: **Jul. 3, 2019**

Related U.S. Application Data

(62) Division of application No. 35/500,914, filed on Nov. 26, 2015 (U.S. filing date under 35 U.S.C. 384), and having an international filing date of Nov. 26, 2015, now Pat. No. Des. 860,533.

(30) **Foreign Application Priority Data**

Jun. 2, 2015 (KR) 30-2015-0027631
Oct. 15, 2015 (KR) 30-2015-0052047

(51) **LOC (12) Cl.** **28-03**

(52) **U.S. Cl.**
USPC **D28/18**

(58) **Field of Classification Search**
USPC D28/9, 10, 12-15, 17-20, 25, 28;
D30/158-159
CPC A45D 20/00; A45D 20/04; A45D 20/08;
A45D 20/10; A45D 20/12; A45D 20/122;
A45D 20/14; A45D 20/124; A45D 20/26;
A45D 20/16; A45D 20/126; A45D
2020/128

See application file for complete search history.

(56) **References Cited**

U.S. PATENT DOCUMENTS

5,161,317 A * 11/1992 McDougall A45D 20/124
239/383
5,216,822 A * 6/1993 Madiedo F26B 21/003
34/82

5,490,336 A * 2/1996 Smick A45D 20/12
34/82
5,681,630 A * 10/1997 Smick A45D 20/12
428/163
6,011,903 A * 1/2000 Nosenchuck A45D 20/10
34/97
D721,456 S * 1/2015 Sayers D28/18
D729,449 S * 5/2015 Sayers D28/18
D782,736 S * 3/2017 Stephens D28/18
2003/0084586 A1 * 5/2003 Lo A45D 20/122
34/96
2008/0253754 A1 * 10/2008 Rubin A45D 20/12
392/381
2013/0174439 A1 * 7/2013 Ragosta A45D 20/124
34/283
2016/0235178 A1 * 8/2016 Atkinson A45D 20/12
2016/0367007 A1 * 12/2016 Stephens A45D 20/122

* cited by examiner

Primary Examiner — Michael A. Pratt

(74) *Attorney, Agent, or Firm* — Rabin & Berdo, P.C.

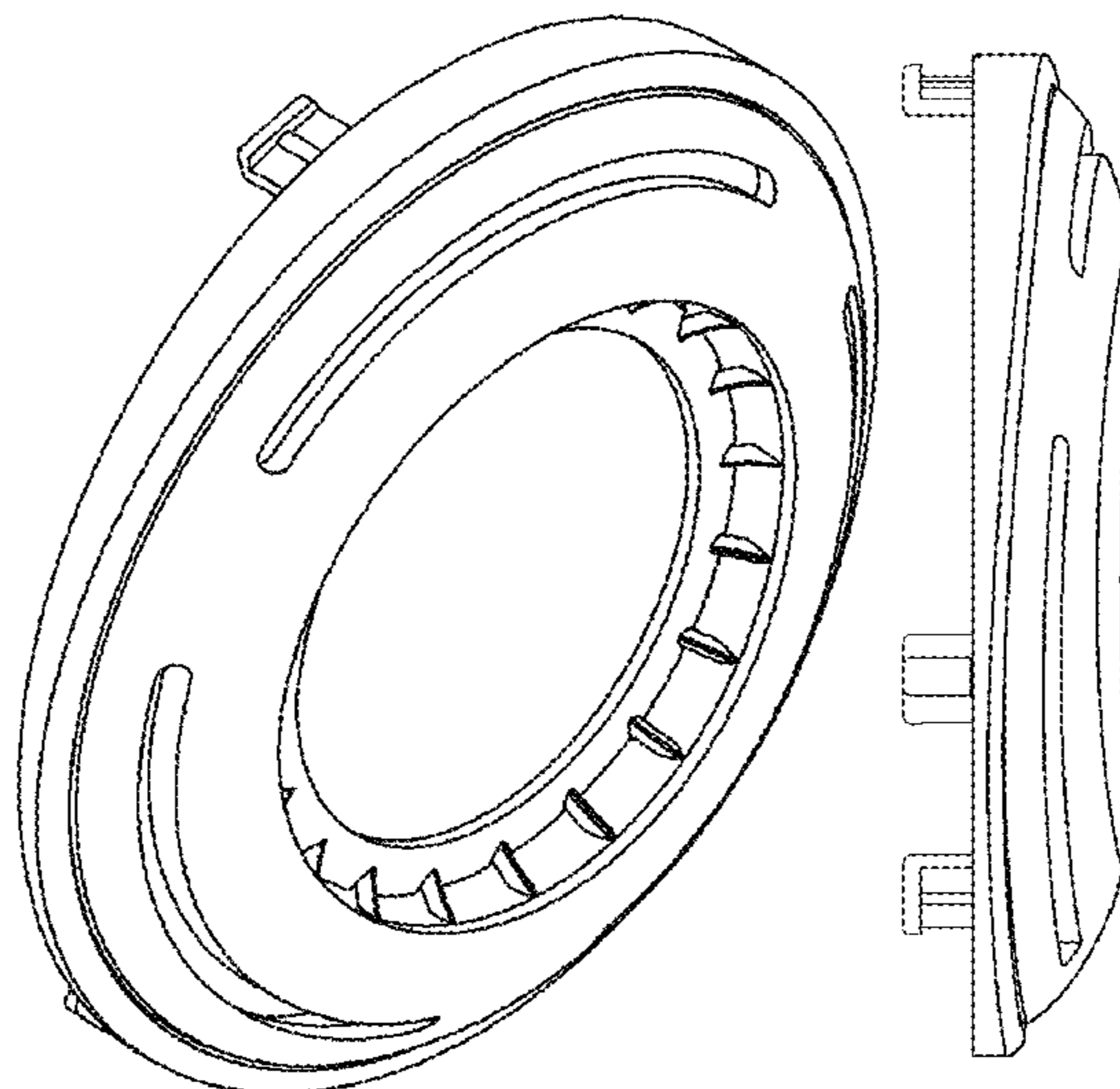
(57) **CLAIM**

The ornamental design for an air intake cap for hair dryer, as shown and described.

DESCRIPTION

FIG. 1 is a perspective view of an air intake cap for hair dryer showing my new design;
FIG. 2 is a front elevational view thereof;
FIG. 3 is a rear elevational view thereof;
FIG. 4 is a left side elevational view thereof;
FIG. 5 is a right side elevational view thereof;
FIG. 6 is a top view thereof; and,
FIG. 7 is a bottom view thereof.

1 Claim, 6 Drawing Sheets



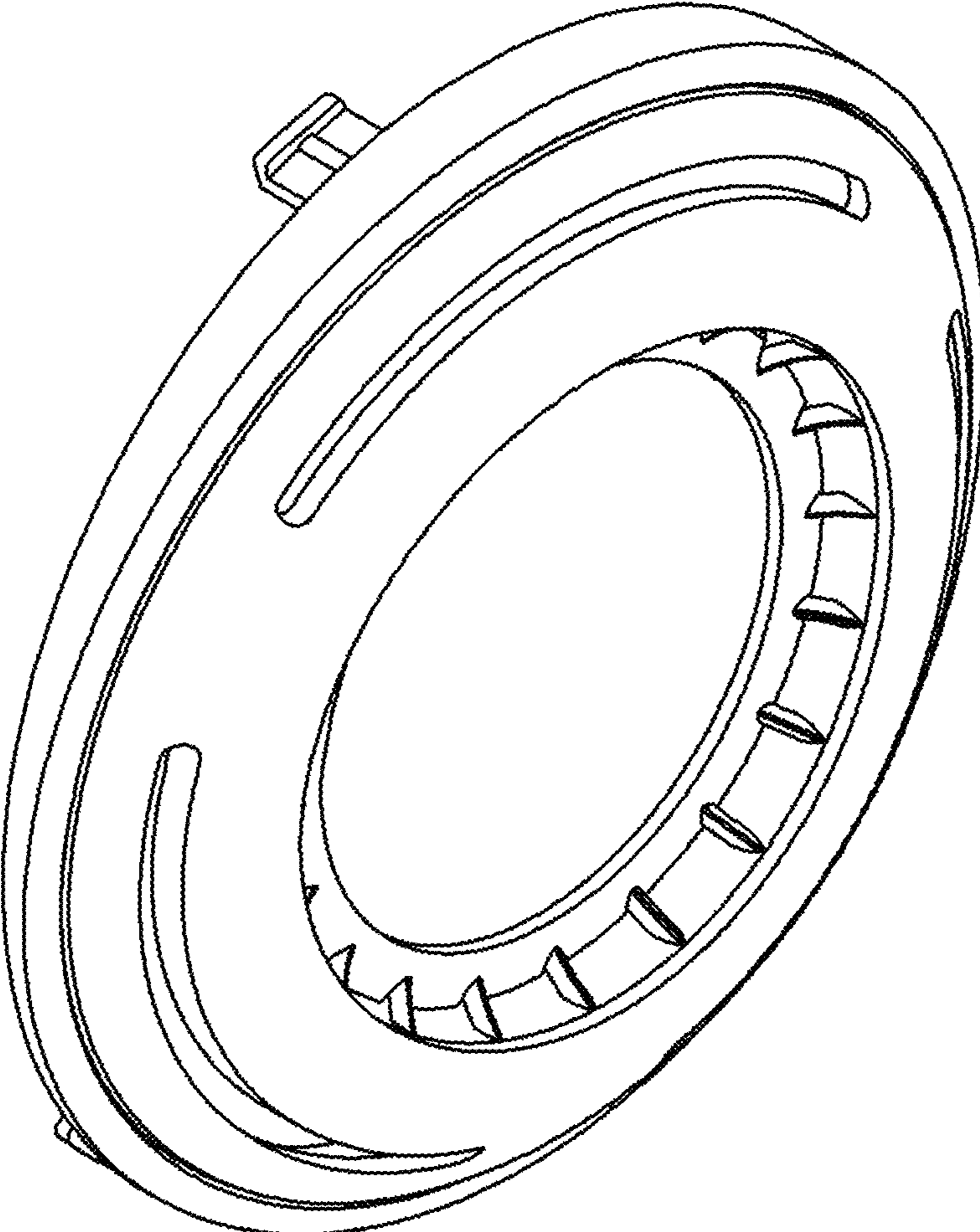


FIG. 1

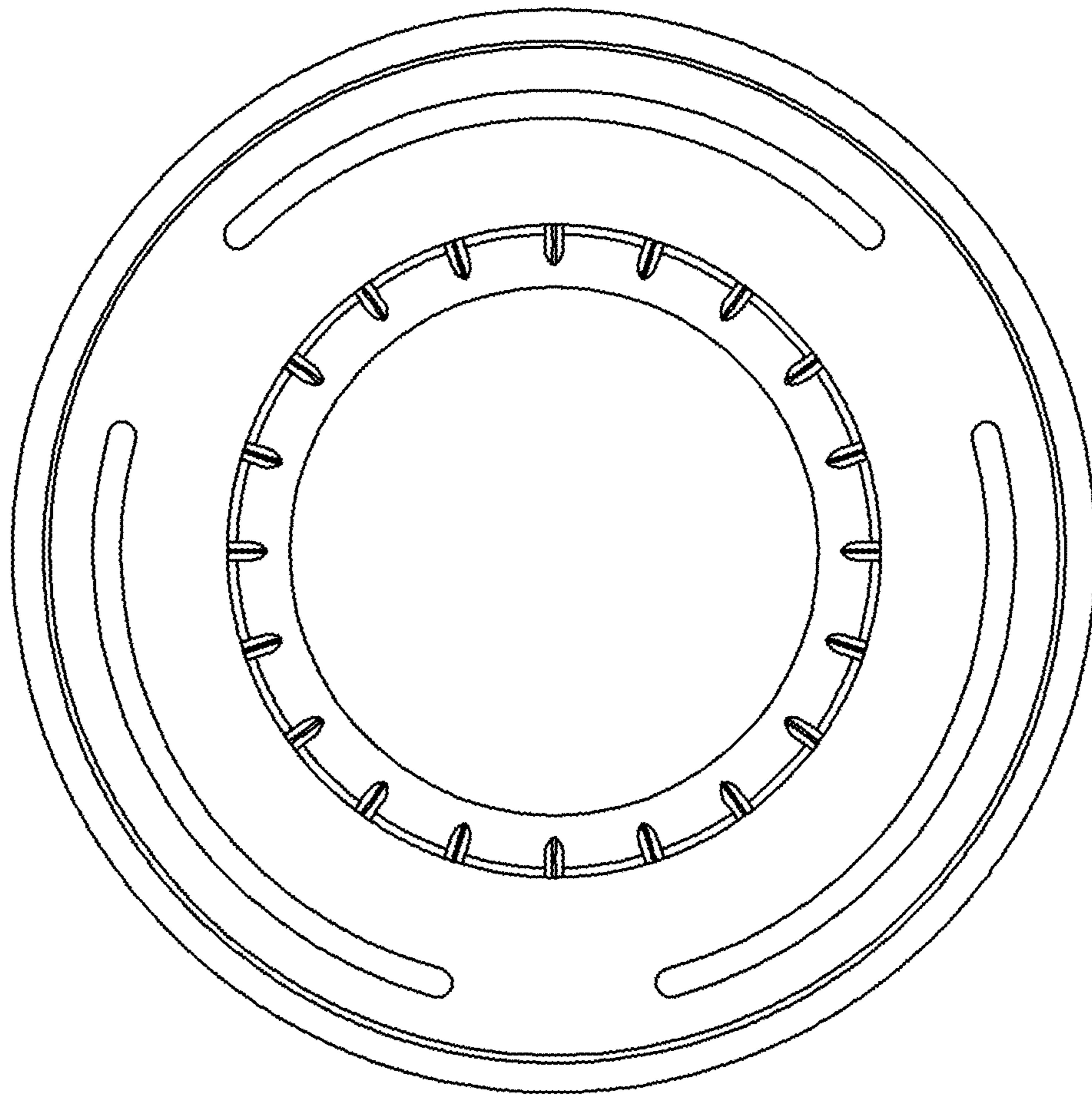


FIG. 2

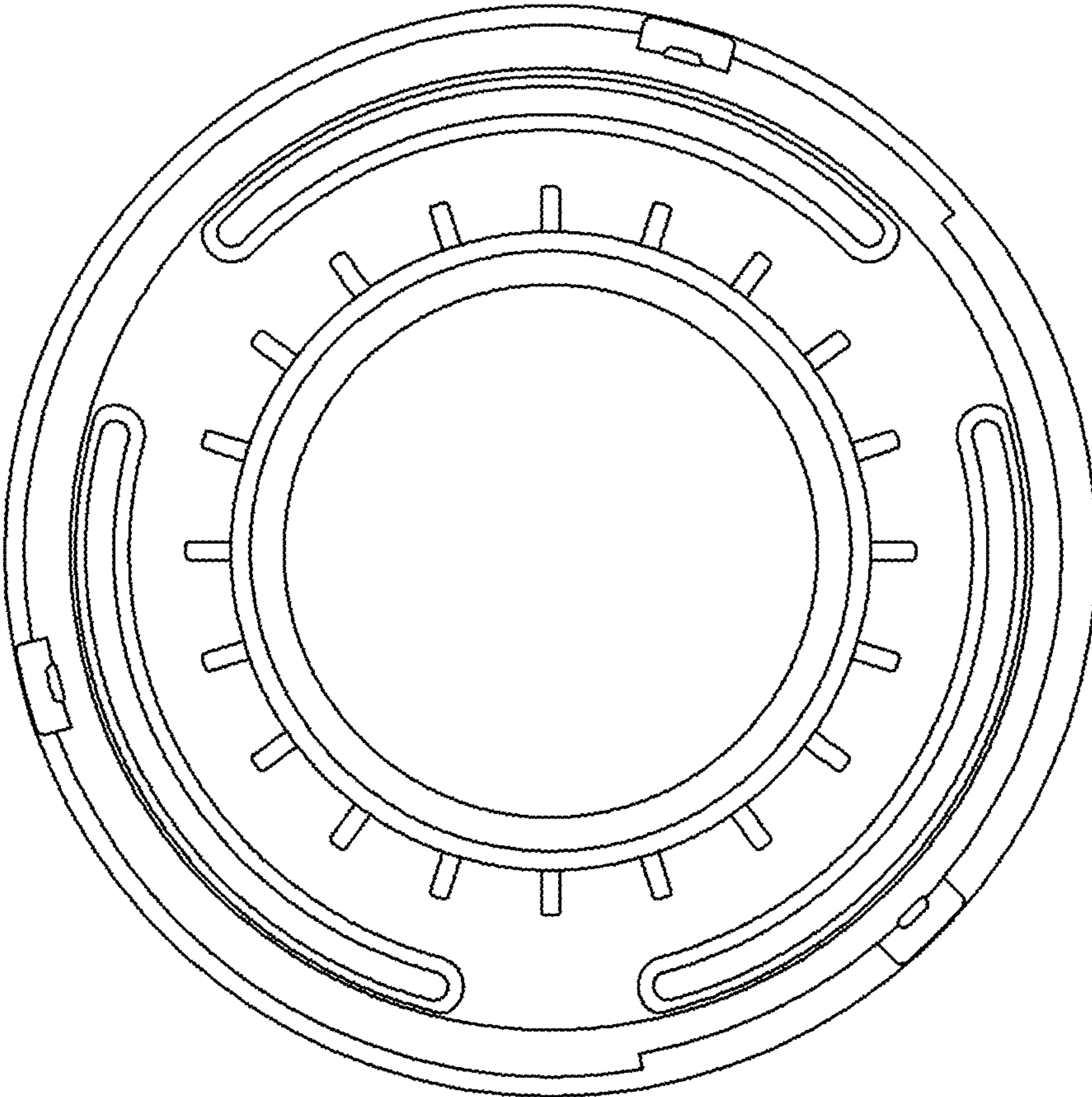


FIG. 3

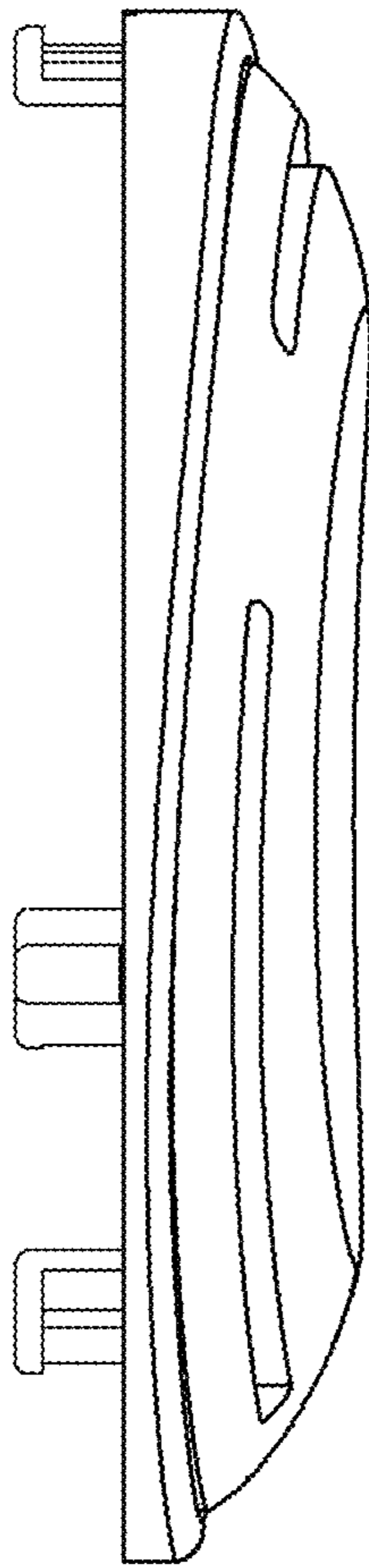


FIG. 4

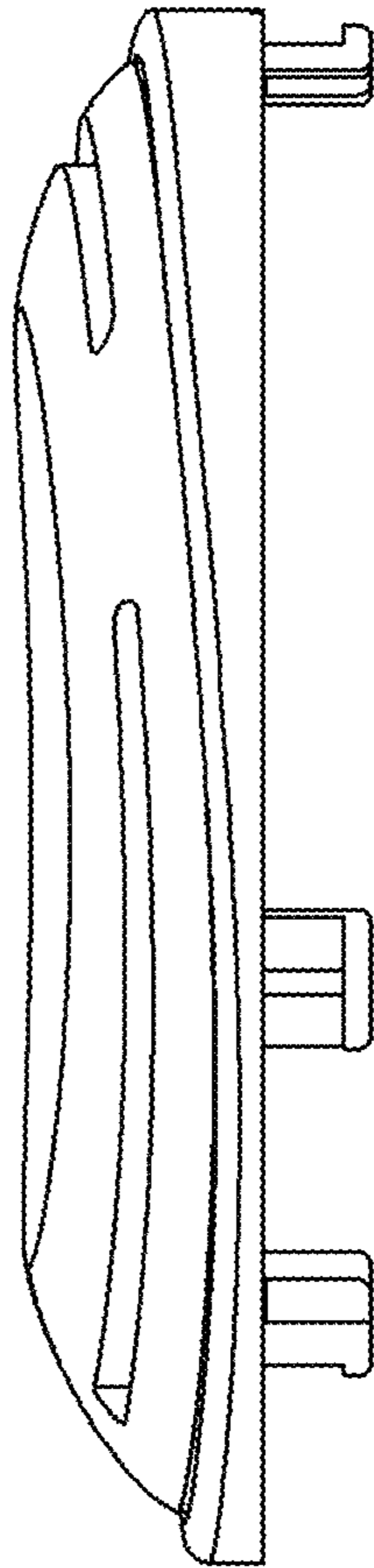


FIG. 5

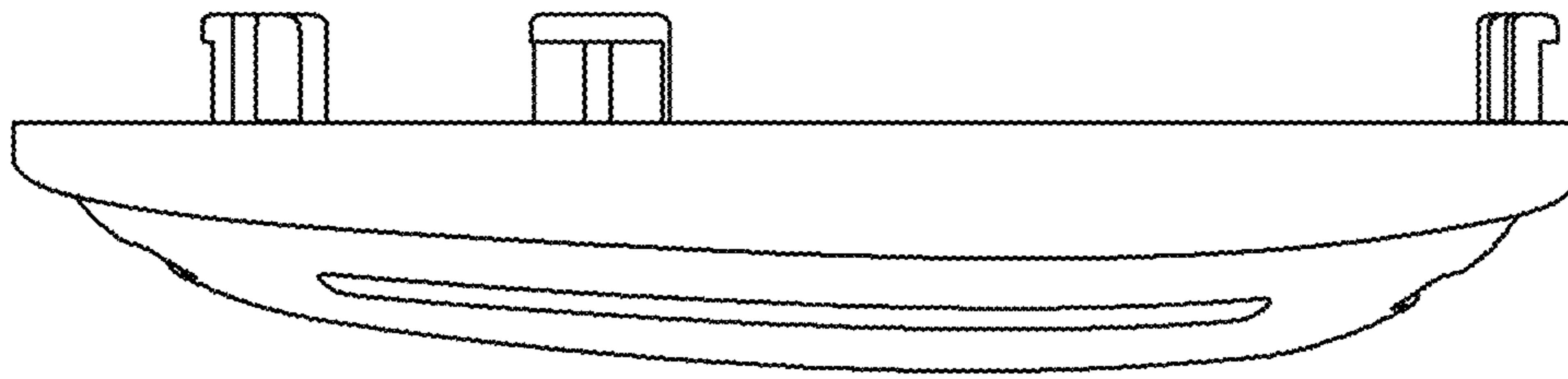


FIG. 6

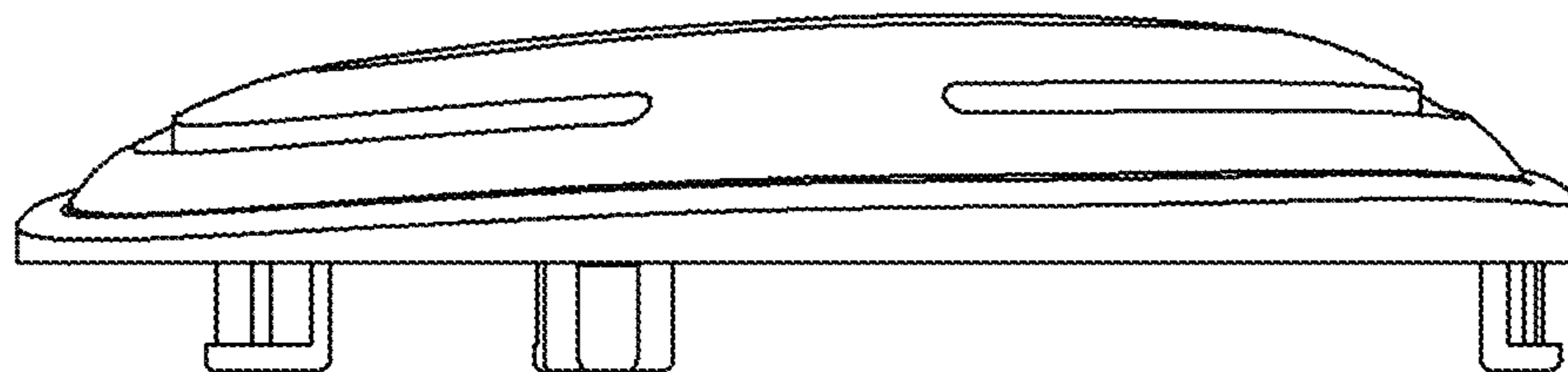


FIG. 7