



US00D906587S

(12) **United States Design Patent**
Fornarelli

(10) **Patent No.:** **US D906,587 S**

(45) **Date of Patent:** **** Dec. 29, 2020**

(54) **VAPOR TUBE**

(71) Applicant: **AVANZATO TECHNOLOGY CORP.**,
Chicago, IL (US)

(72) Inventor: **Thomas Fornarelli**, Chicago, IL (US)

(73) Assignee: **14th Round Inc.**, Los Angeles, CA
(US)

(**) Term: **15 Years**

(21) Appl. No.: **29/657,675**

(22) Filed: **Jul. 24, 2018**

Related U.S. Application Data

(62) Division of application No. 29/540,559, filed on Sep. 25, 2015, now Pat. No. Des. 824,586.

(51) **LOC (12) Cl.** **27-02**

(52) **U.S. Cl.**
USPC **D27/162**

(58) **Field of Classification Search**
USPC D27/100, 101, 139–194; D23/202;
D13/118, 119; D19/115, 116, 162, 163,
D19/164; D7/300; D9/444, 445
CPC A24F 47/008; A24F 47/002; A24F 15/18;
A24F 47/00
See application file for complete search history.

(56) **References Cited**

U.S. PATENT DOCUMENTS

D231,640 S *	5/1974	Kahler	D27/162
D450,862 S *	11/2001	Alcedo	D26/11
D724,782 S *	3/2015	Wu	D27/101
D747,548 S *	1/2016	Mayor	D27/167
D749,261 S *	2/2016	Chen	D27/162
D752,280 S *	3/2016	Verleur	D27/167
D774,247 S *	12/2016	Chen	D27/101
D776,867 S *	1/2017	Rado	D27/162

D776,868 S *	1/2017	Rado	D27/162
D780,372 S *	2/2017	Liu	D27/101
D785,861 S *	5/2017	Stoll	D27/152
D790,122 S *	6/2017	Hawes	D27/101
D792,645 S *	7/2017	Fornarelli	D27/167
D799,114 S *	10/2017	Li	D27/167
D799,747 S *	10/2017	Champion	D27/169
D806,943 S *	1/2018	Liu	D27/101
D817,544 S *	5/2018	Chen	D27/167
D819,262 S *	5/2018	Lin	D27/101
9,986,768 B2 *	6/2018	Force	A24F 47/008
D823,534 S *	7/2018	Chen	D27/162
D823,535 S *	7/2018	Xu	D27/163
D824,586 S *	7/2018	Fornarelli	D27/194

(Continued)

Primary Examiner — Marissa J Cash

(74) *Attorney, Agent, or Firm* — Flener IP & Business
Law; Zareefa B. Flener; Ayhan E. Mertogul

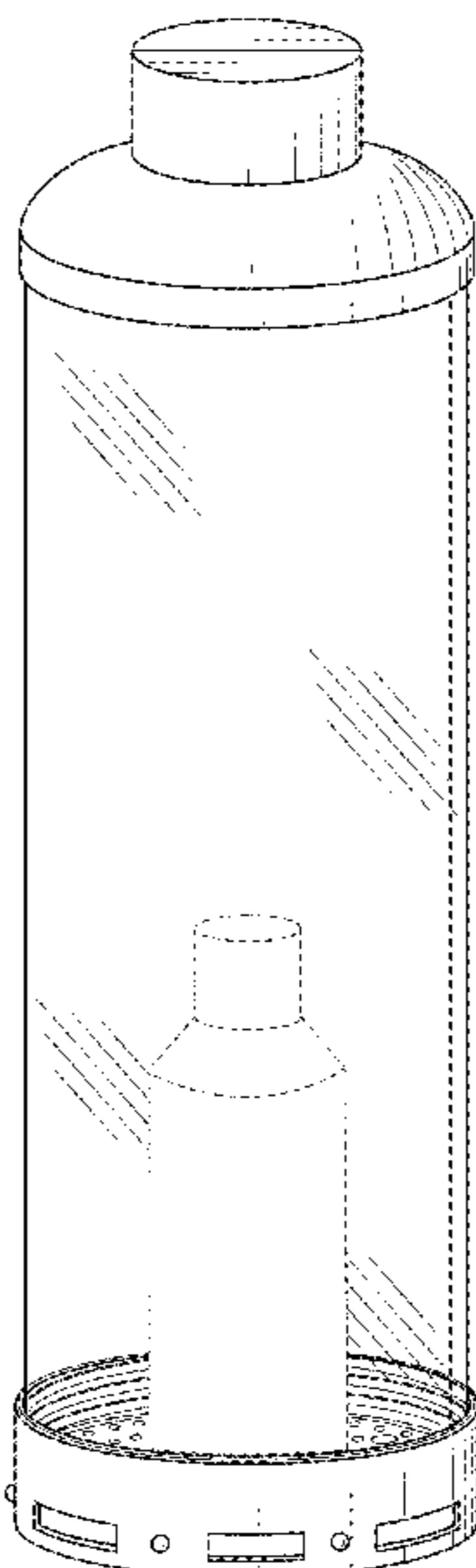
(57) **CLAIM**

The ornamental design for a vapor tube, as shown and described.

DESCRIPTION

FIG. 1 is a top perspective view of a first embodiment of my new design for a vapor tube;
 FIG. 2 is a front elevational view thereof, the opposite side not shown is a mirror image thereof;
 FIG. 3 is a left side elevational view thereof, the opposite side not shown is a mirror image thereof;
 FIG. 4 is a top plan view thereof;
 FIG. 5 is a bottom plan view thereof;
 FIG. 6 is an exploded bottom perspective view thereof;
 FIG. 7 is a top perspective view of a second embodiment of my new design for a vapor tube; and,
 FIG. 8 is a top perspective view of a third embodiment of my new design for a vapor tube.
 In the drawings, the broken lines depict environmental subject matter only and form no part of the claimed design.

1 Claim, 4 Drawing Sheets



(56)

References Cited

U.S. PATENT DOCUMENTS

D825,840 S * 8/2018 Xu D27/163
D825,841 S * 8/2018 Xu D27/163
D826,470 S * 8/2018 Huang D27/167
D828,623 S * 9/2018 Fornarelli D27/194
D832,498 S * 10/2018 Chen D27/101
10,219,545 B2 * 3/2019 Dong A61M 11/042
D848,673 S * 5/2019 Xu D27/183
D849,318 S * 5/2019 Deng D27/162
10,349,678 B2 * 7/2019 Chen H05B 3/44
D855,881 S * 8/2019 Hawes D27/194
D857,290 S * 8/2019 Crowe D27/162
10,412,995 B2 * 9/2019 Macko A24F 47/008
D867,657 S * 11/2019 Fornarelli D27/194
10,512,738 B2 * 12/2019 Fornarelli A61M 15/06
D874,719 S * 2/2020 Yuan D27/162
D877,975 S * 3/2020 Crowe D27/162
2015/0257446 A1 * 9/2015 Chung A24F 47/008
131/329
2015/0335073 A1 * 11/2015 Li A24F 47/008
131/329
2017/0013881 A1 * 1/2017 Liu A24F 47/008
2017/0105451 A1 * 4/2017 Fornarelli A24F 47/008
2017/0196272 A1 * 7/2017 Li A24F 47/002
2017/0280770 A1 * 10/2017 Wang A24F 47/008
2019/0037928 A1 * 2/2019 Fornarelli A61M 15/06
2019/0134320 A1 * 5/2019 Fornarelli A61M 15/002

* cited by examiner

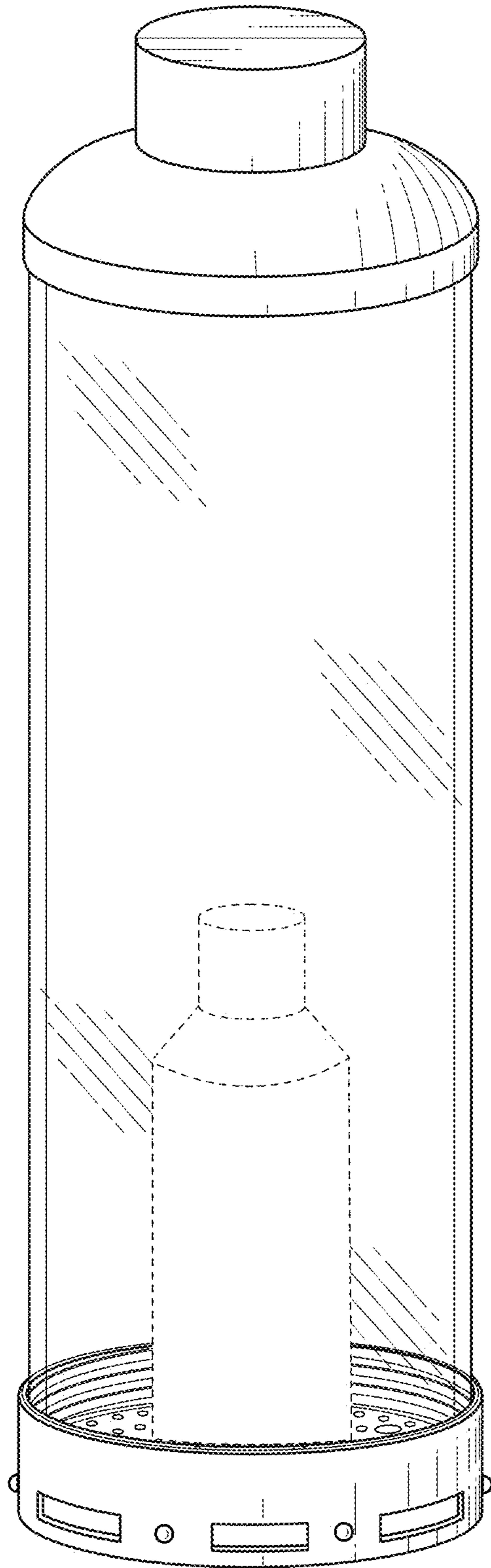


FIG. 1

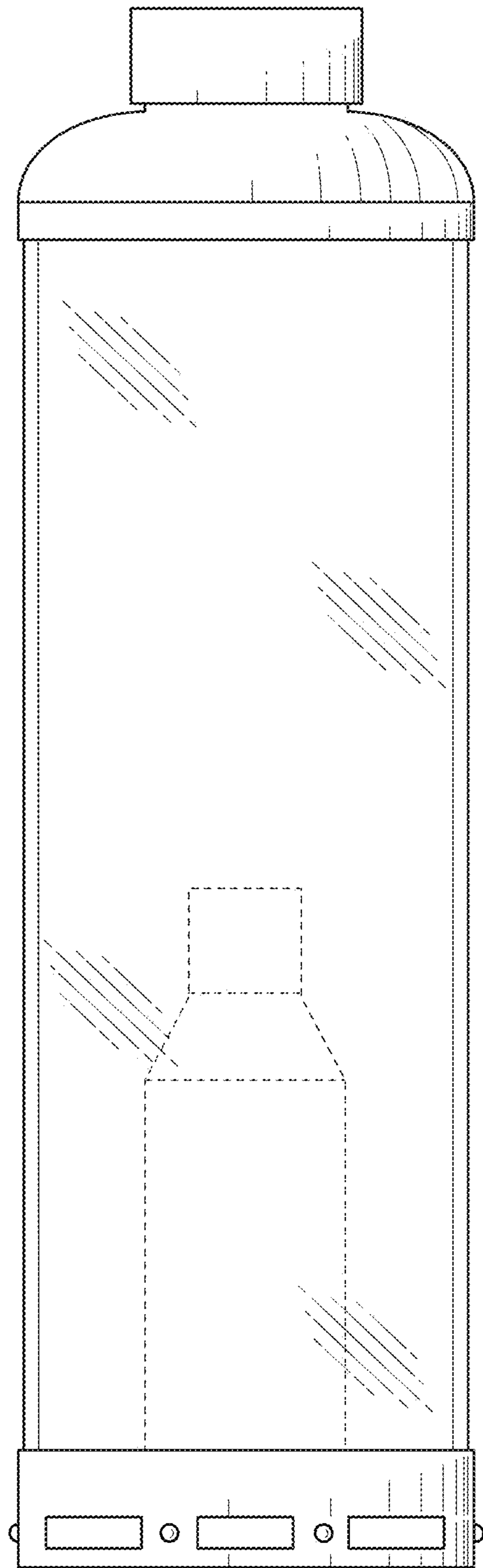


FIG. 2

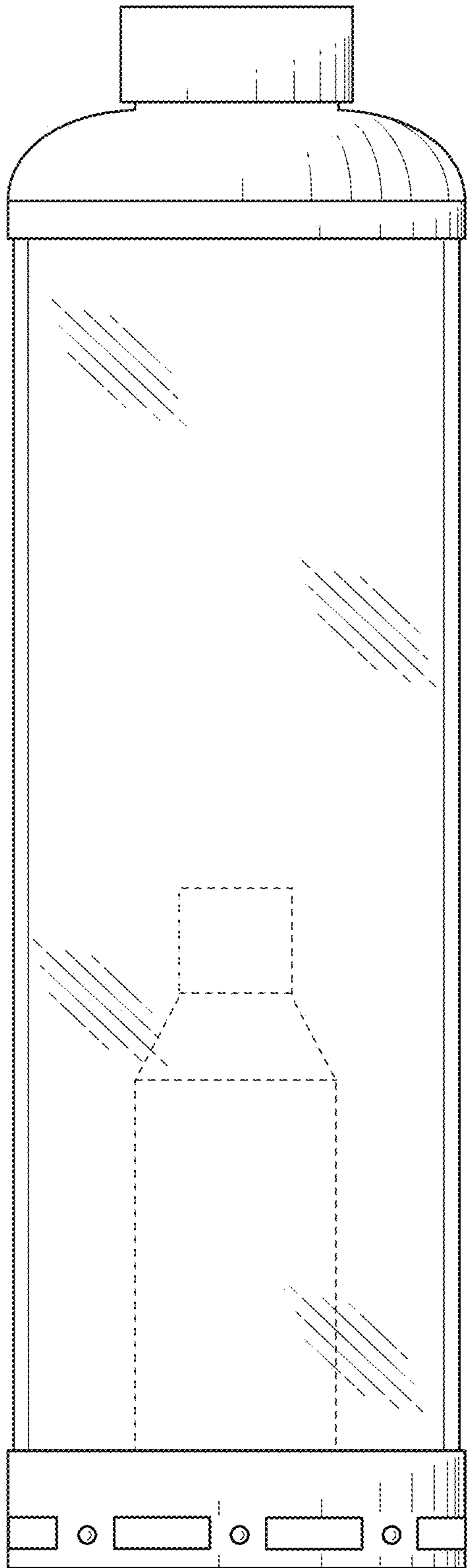


FIG. 3

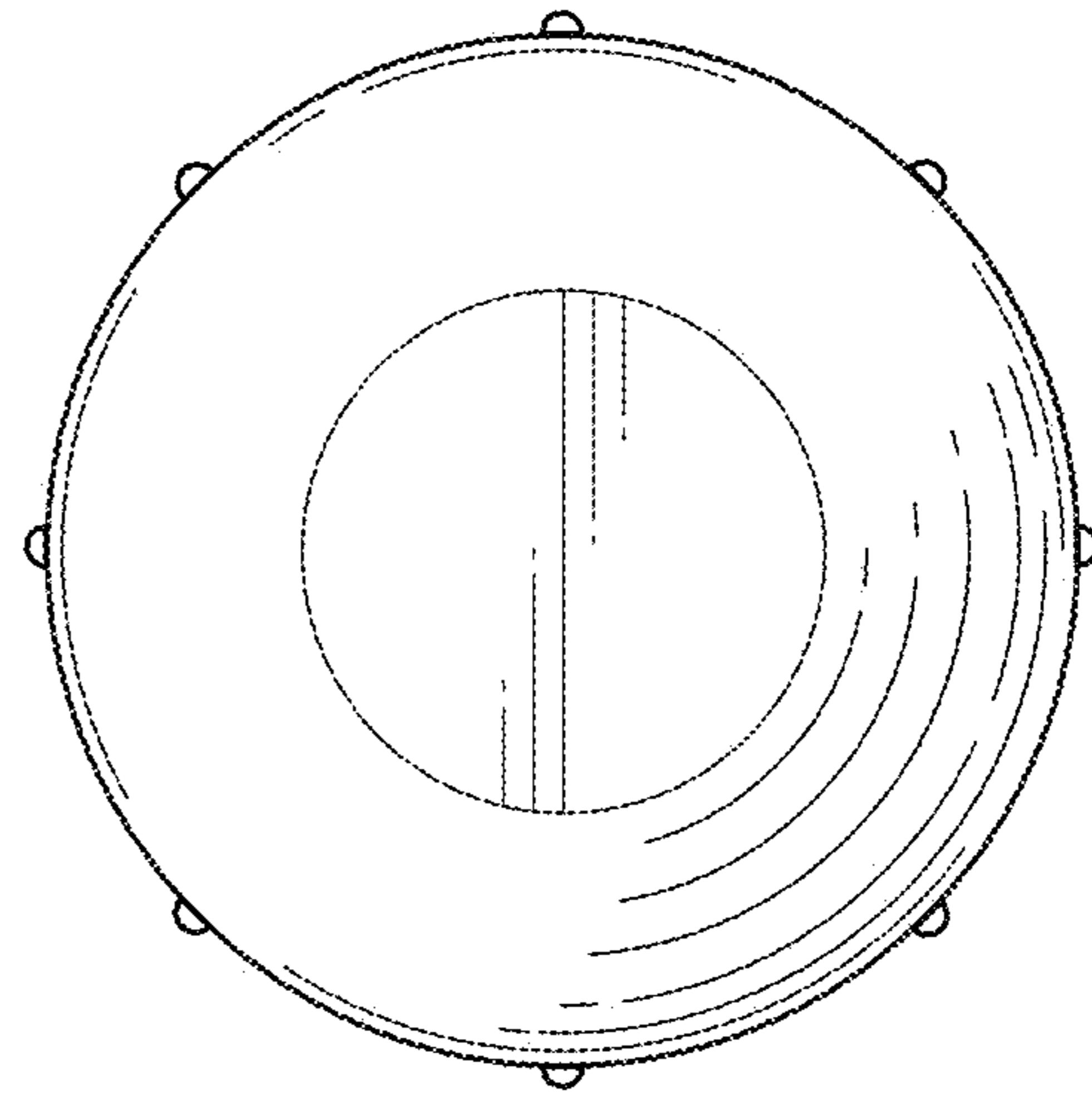


FIG. 4

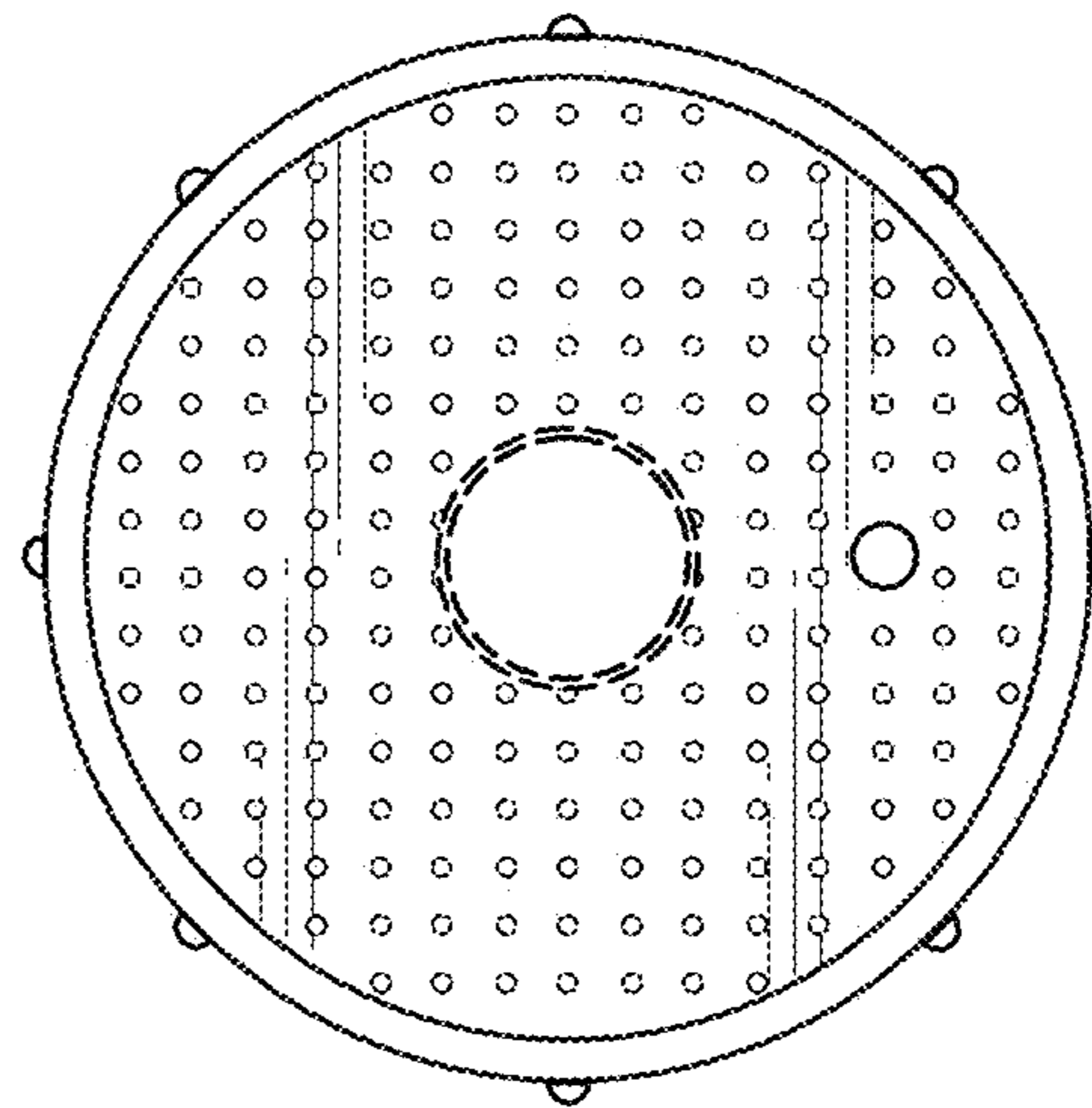


FIG. 5

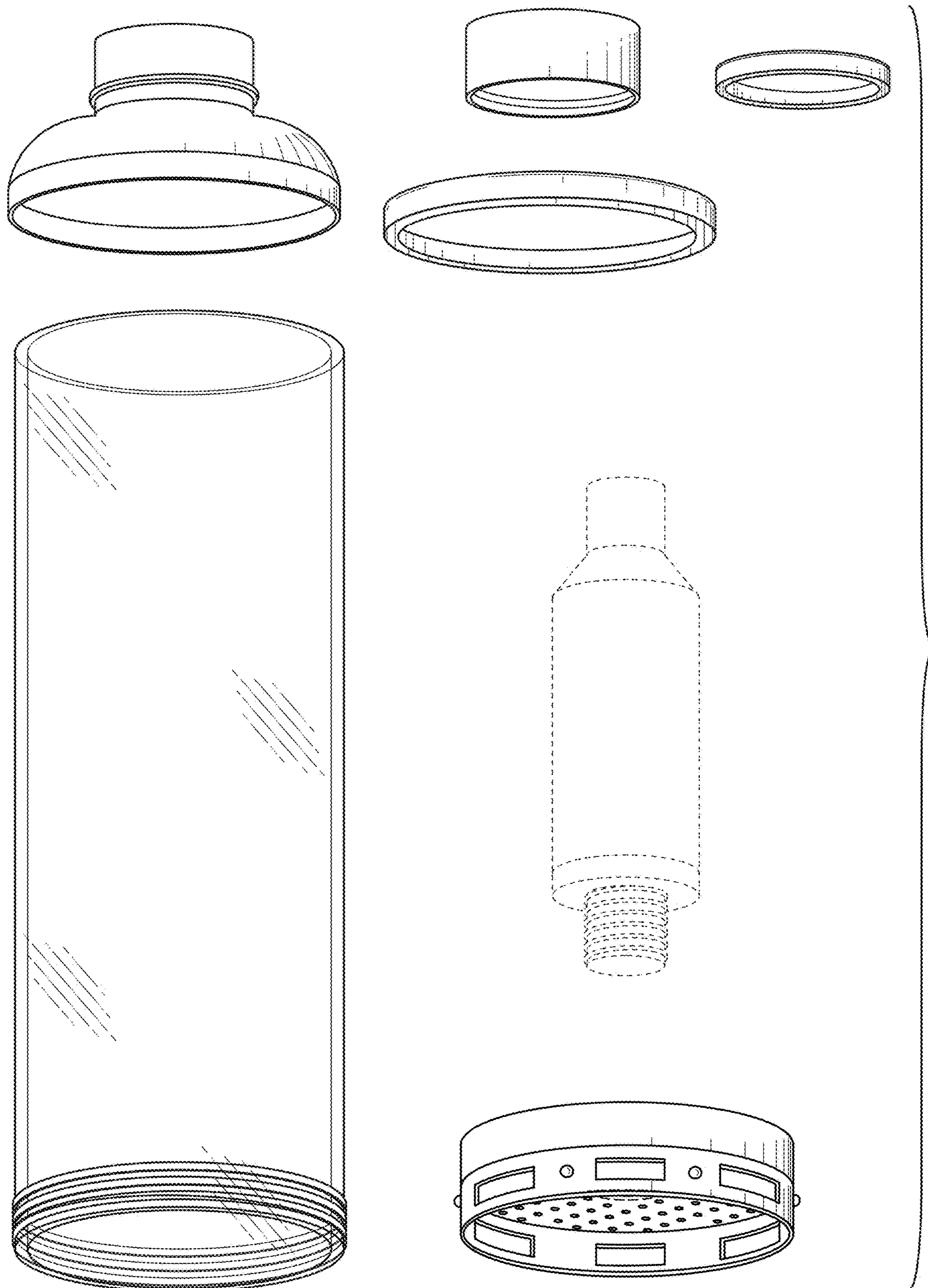


FIG. 6

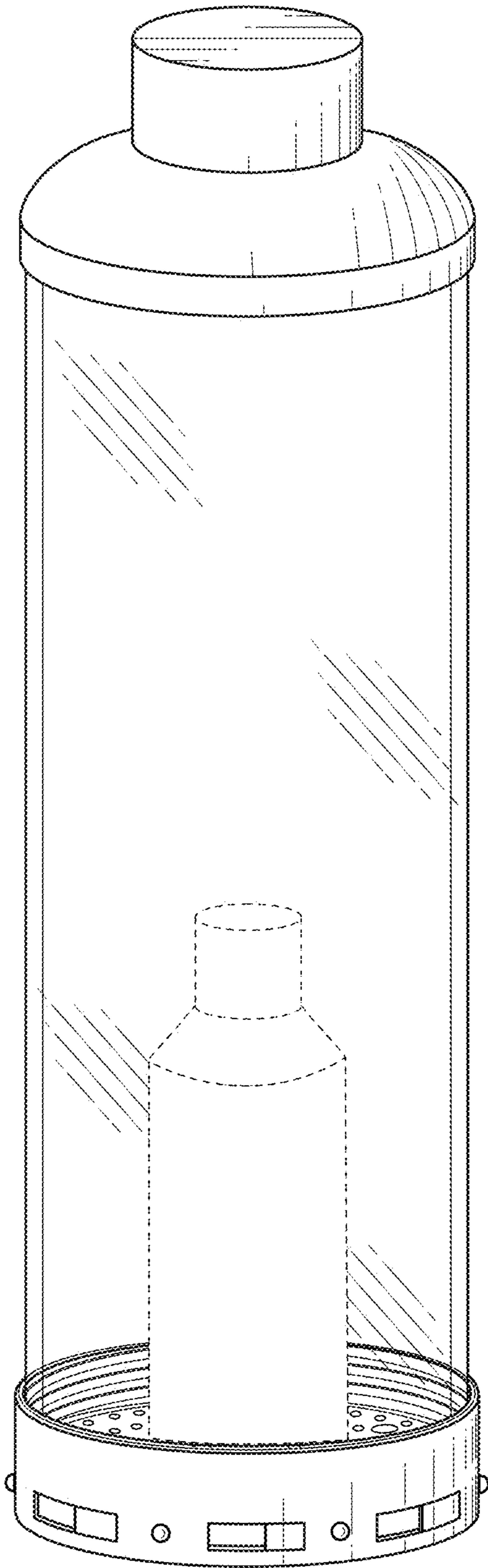


FIG. 7

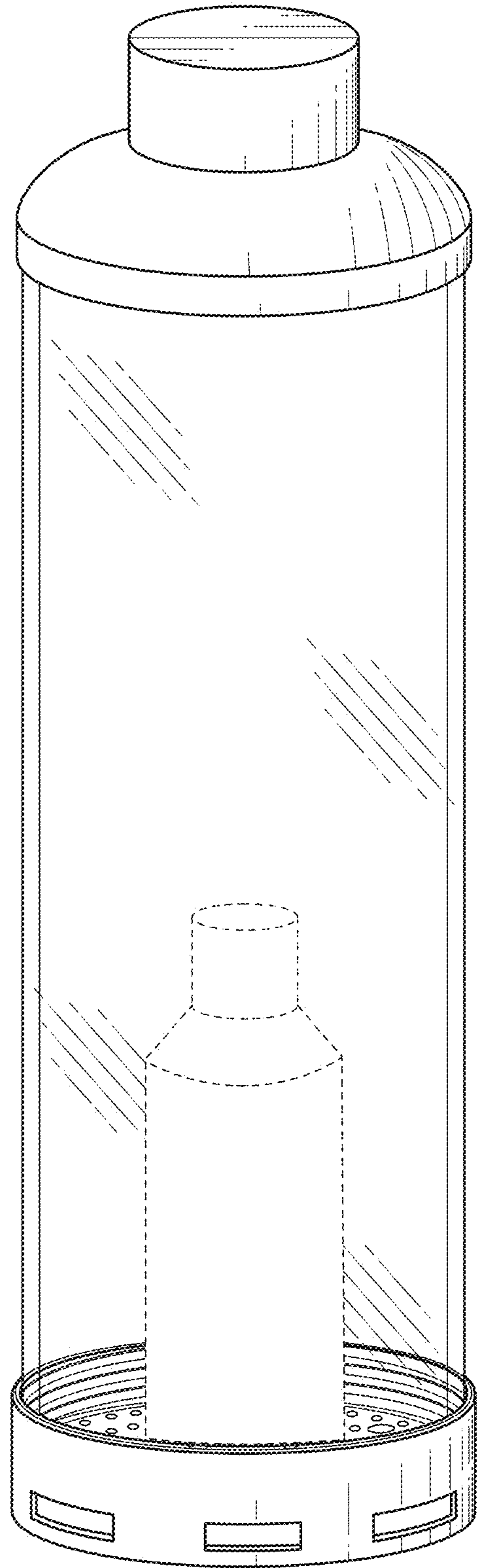


FIG. 8